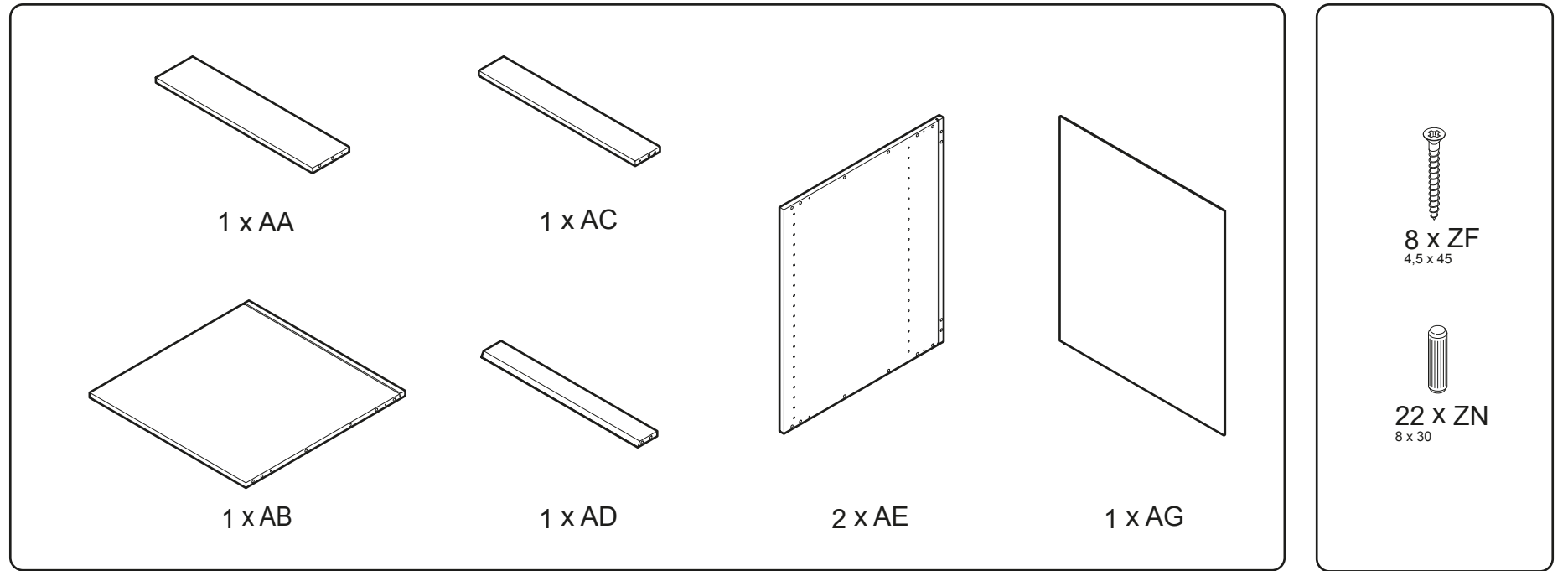
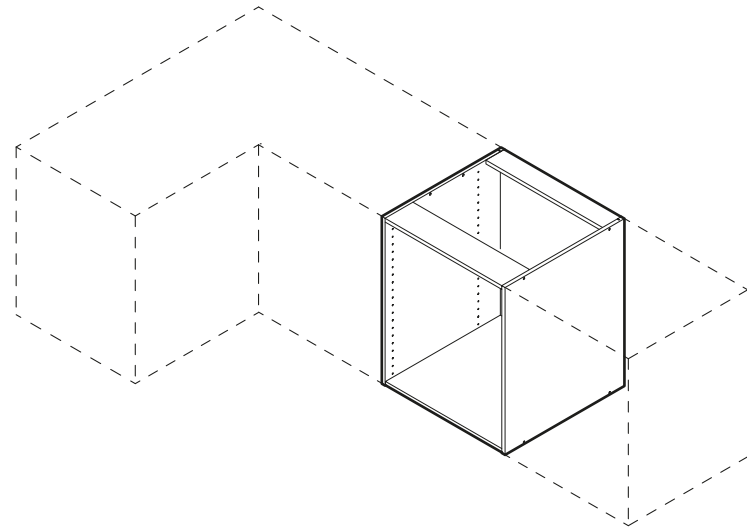
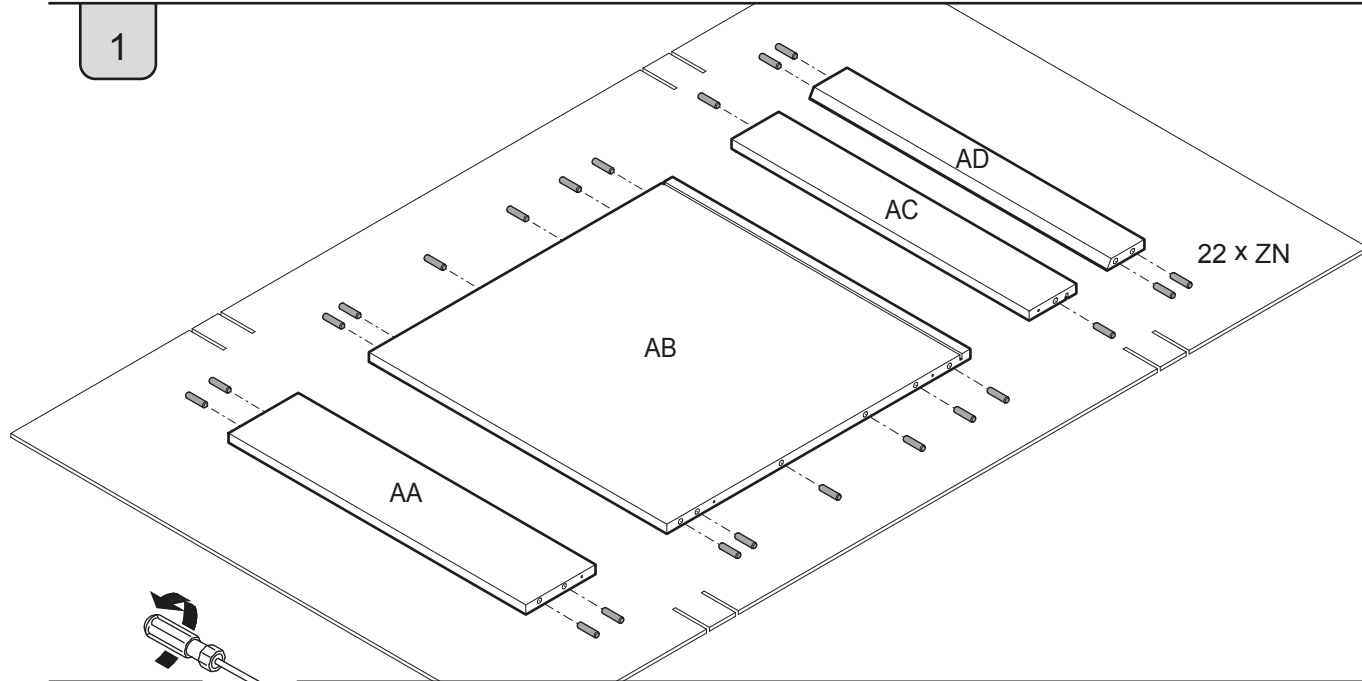


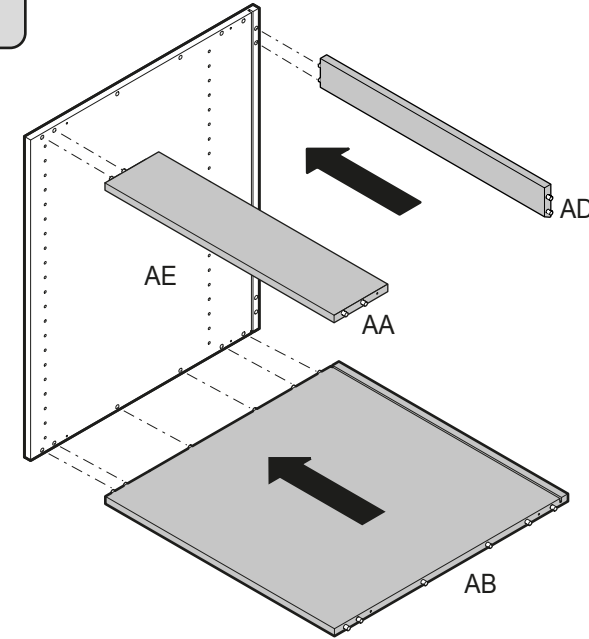
U201  
 U301  
 U401  
 U501  
 U601  
 U801  
 LU301  
 LU401  
 LU501  
 LU601  
 LU801  
 SV001



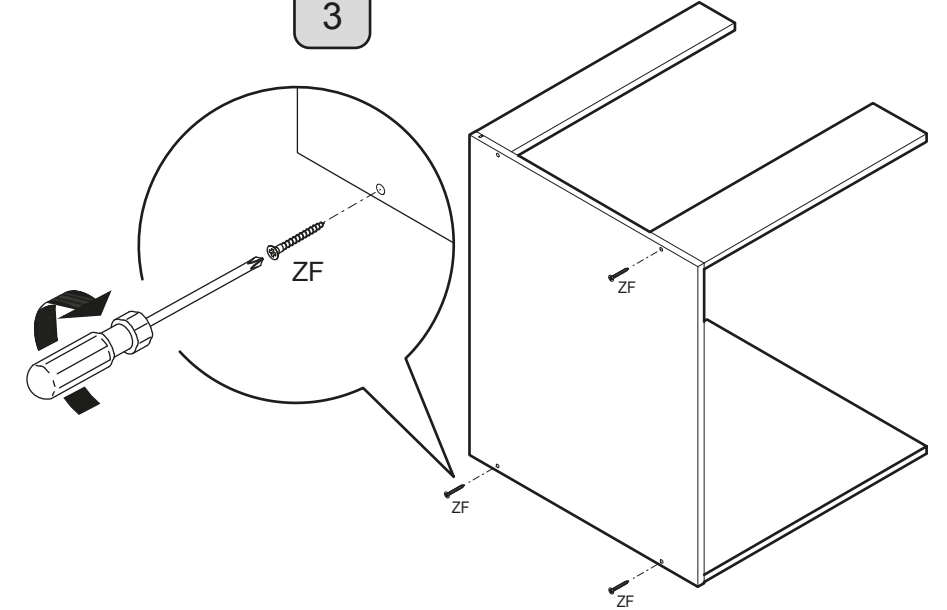
1



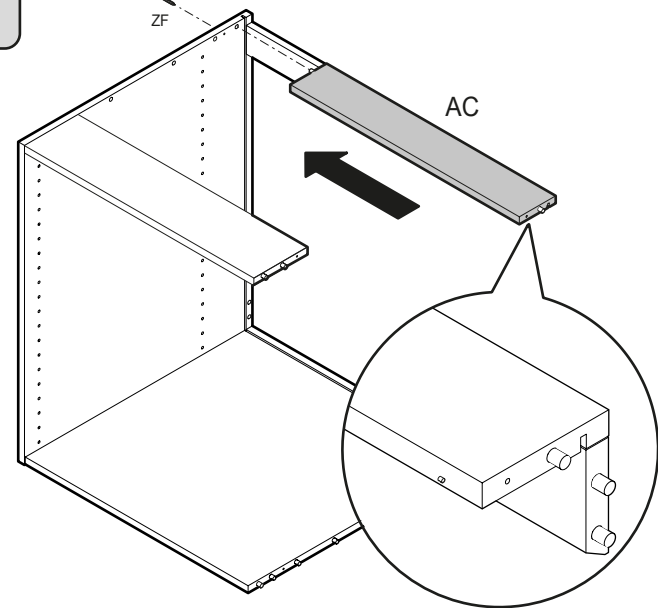
2



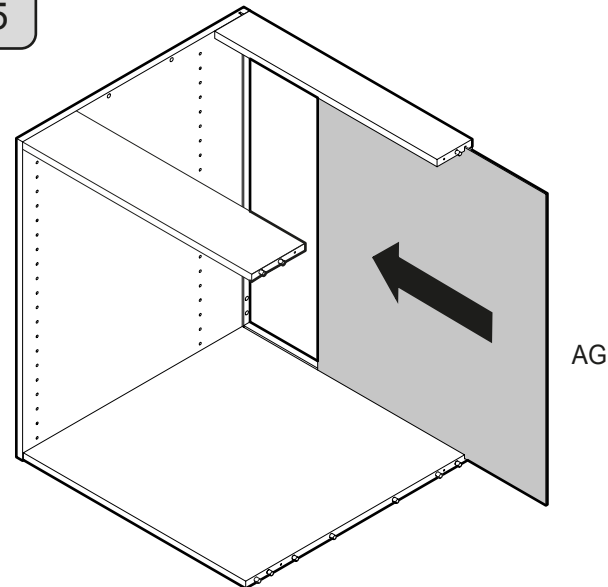
3



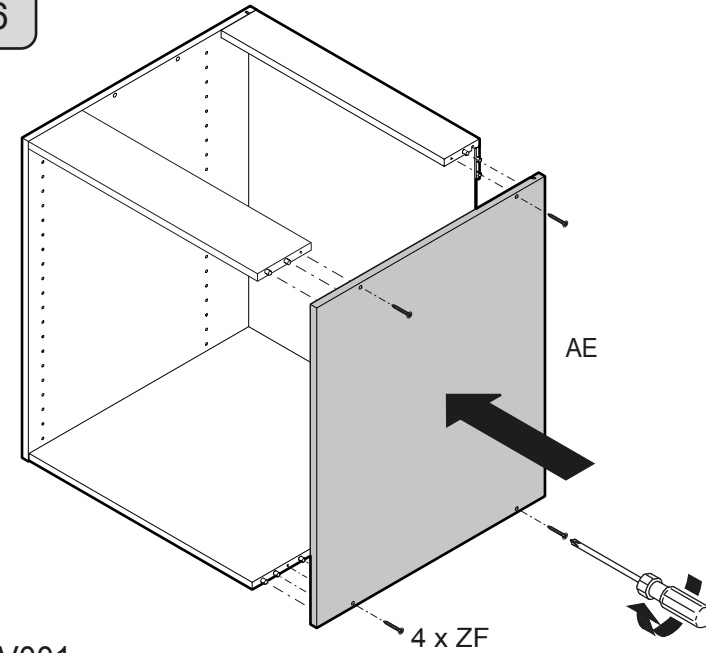
4



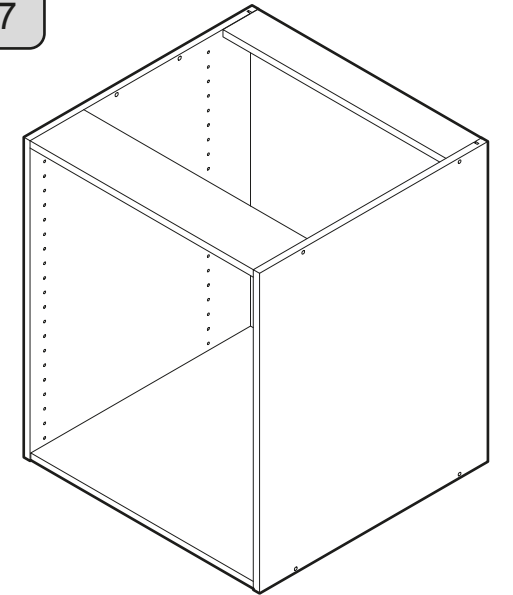
5



6

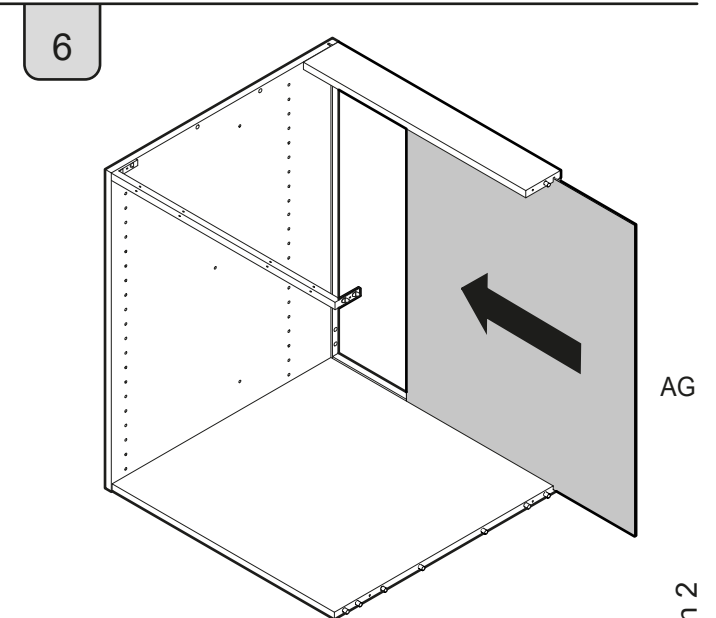
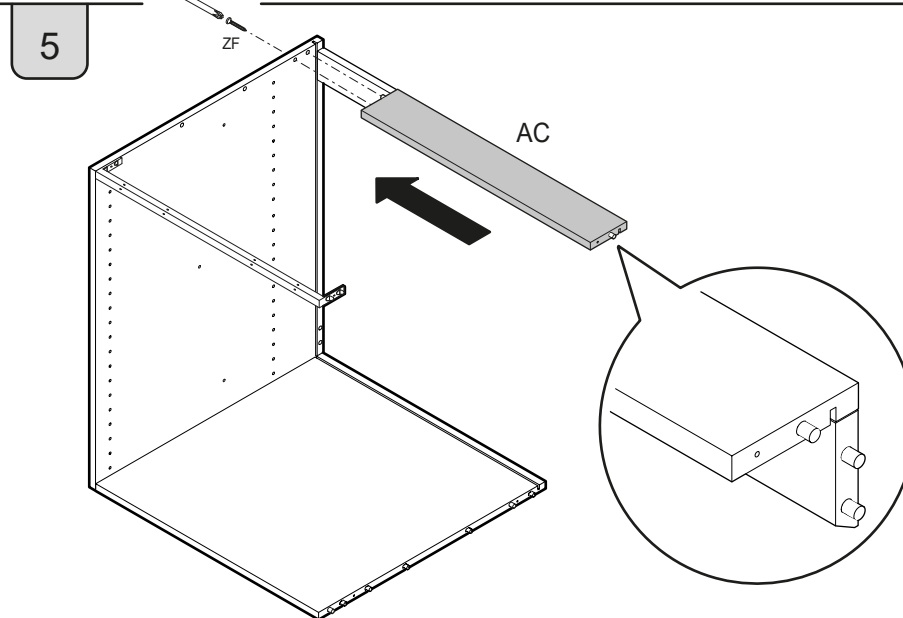
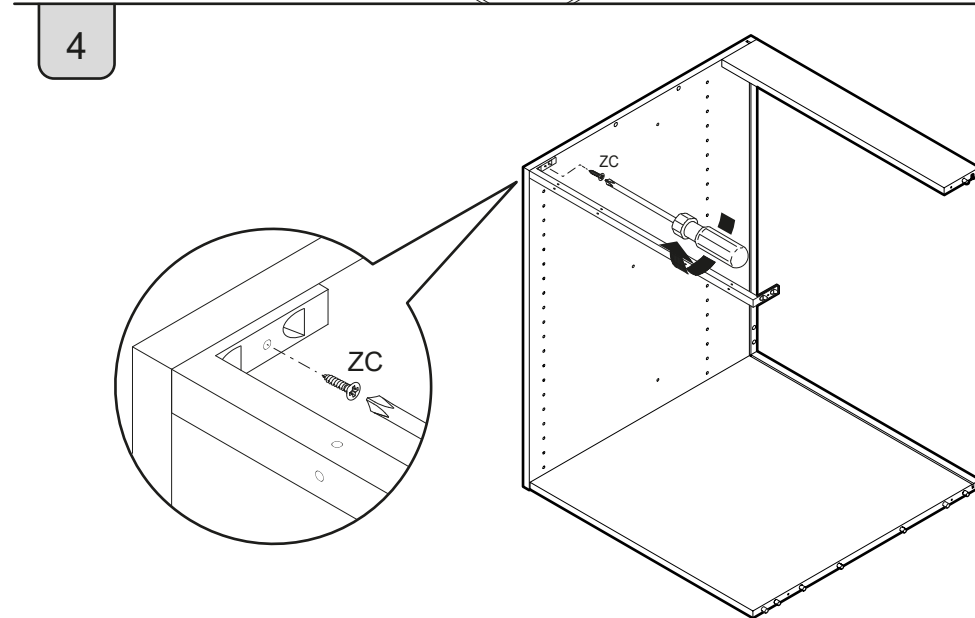
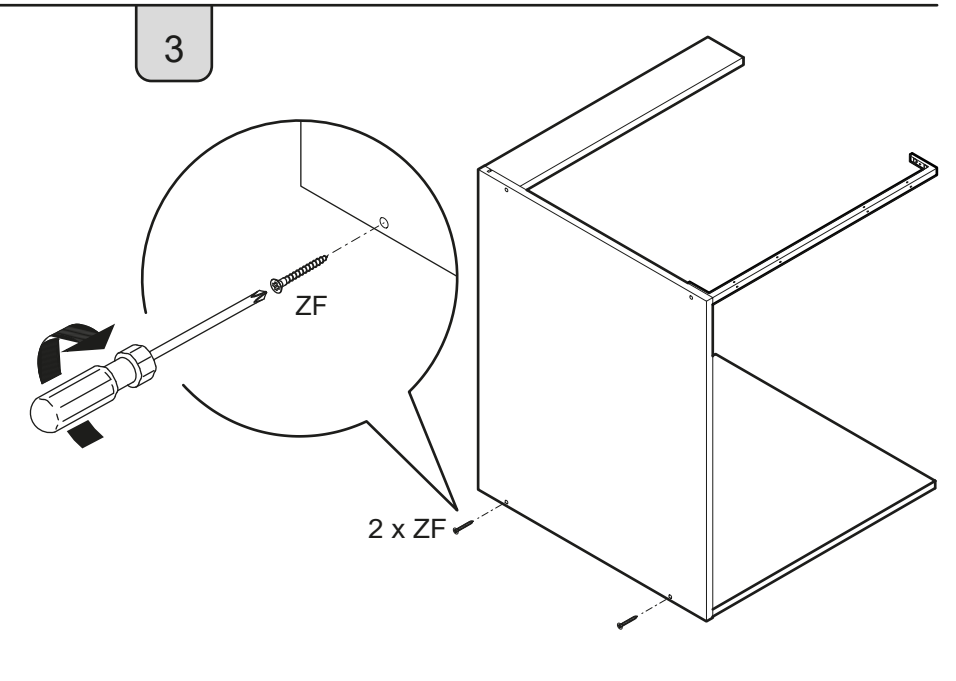
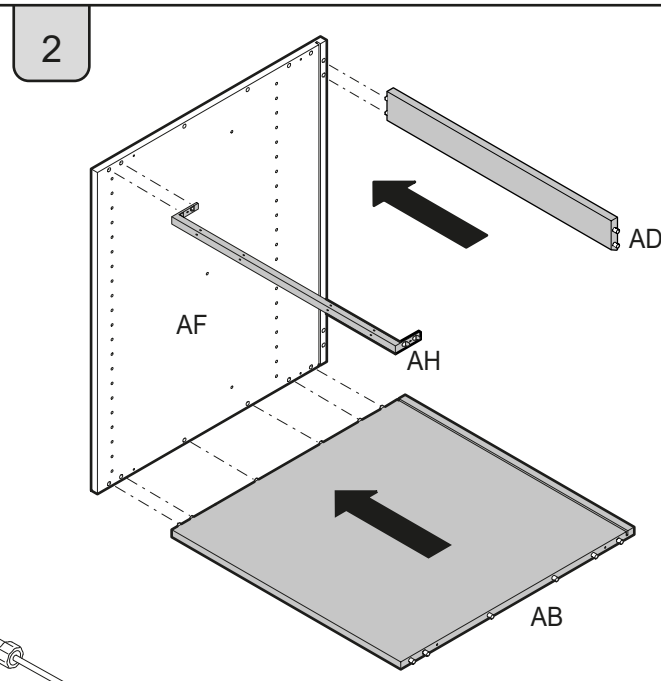
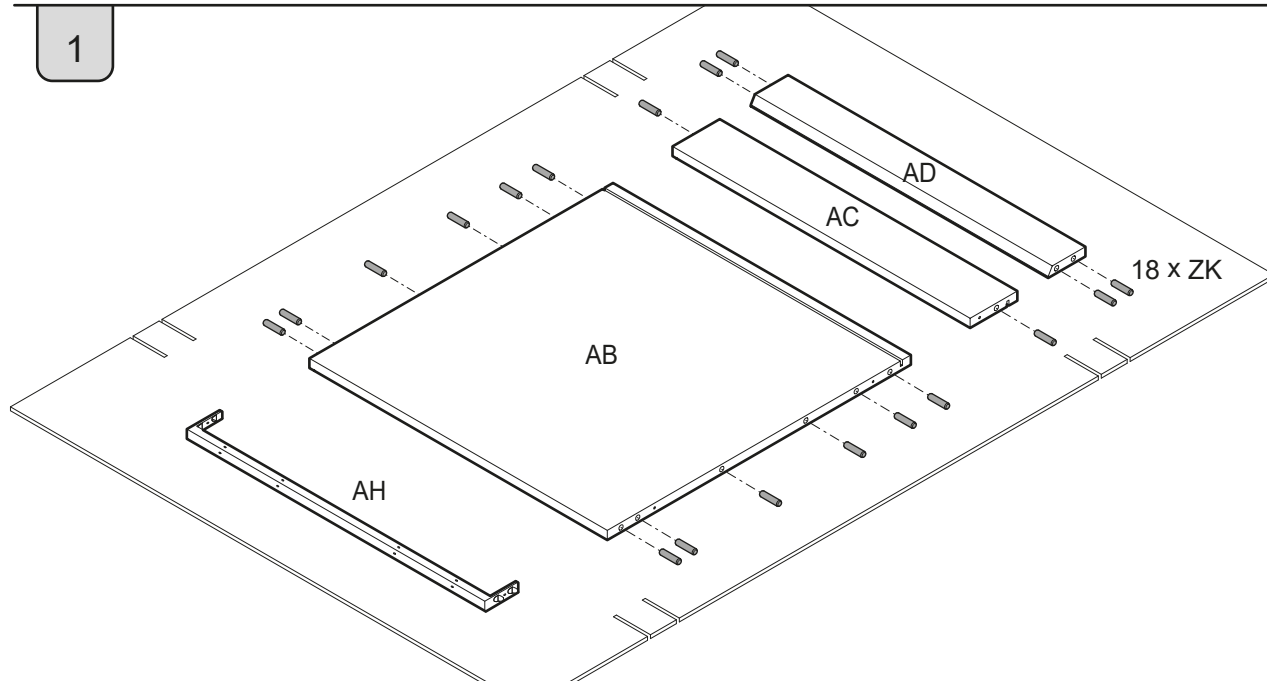
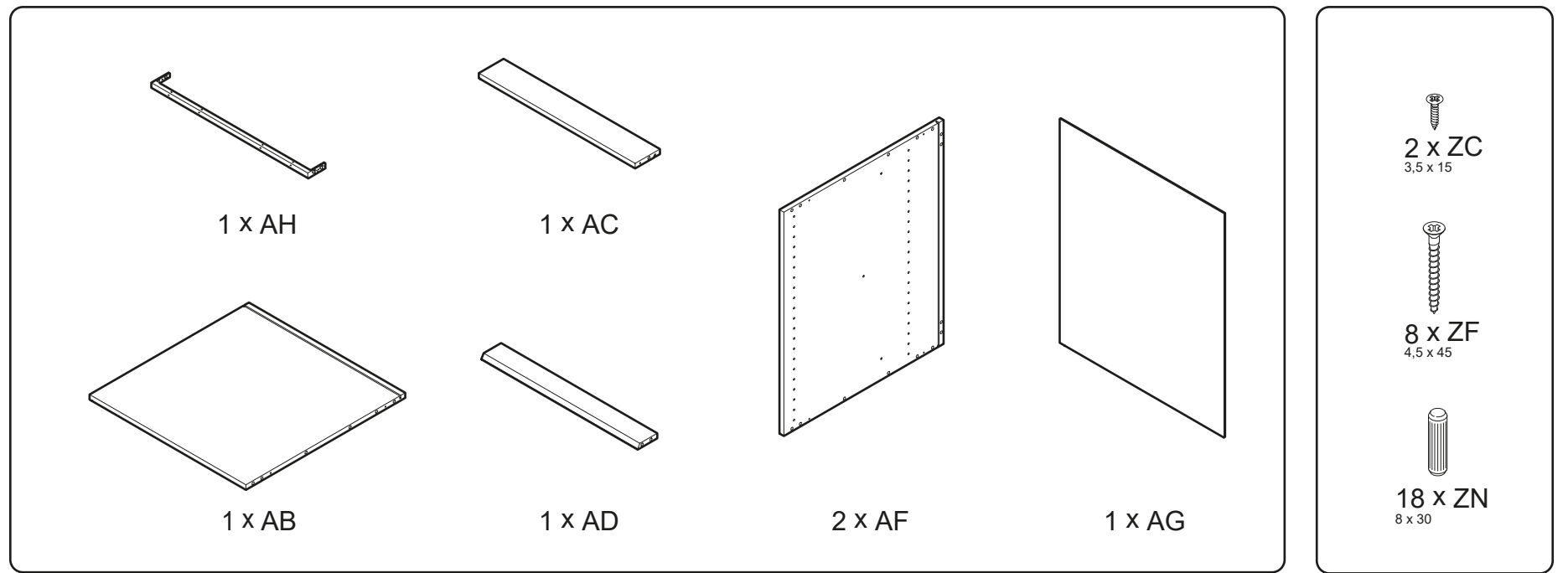
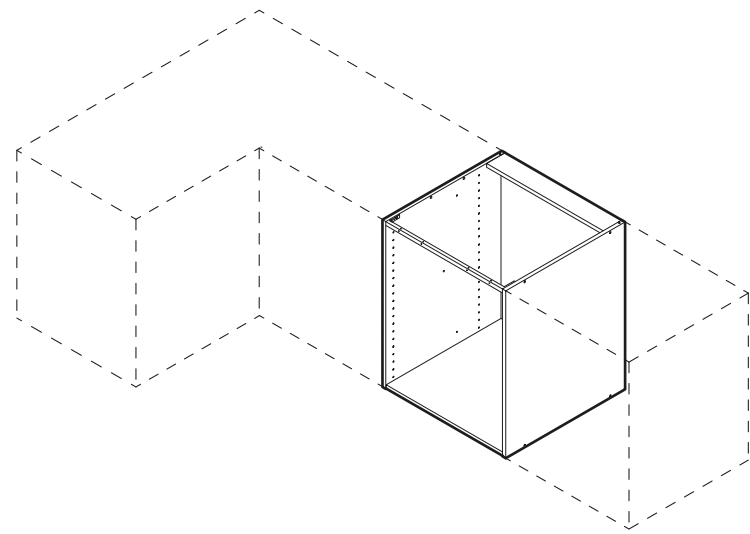


7

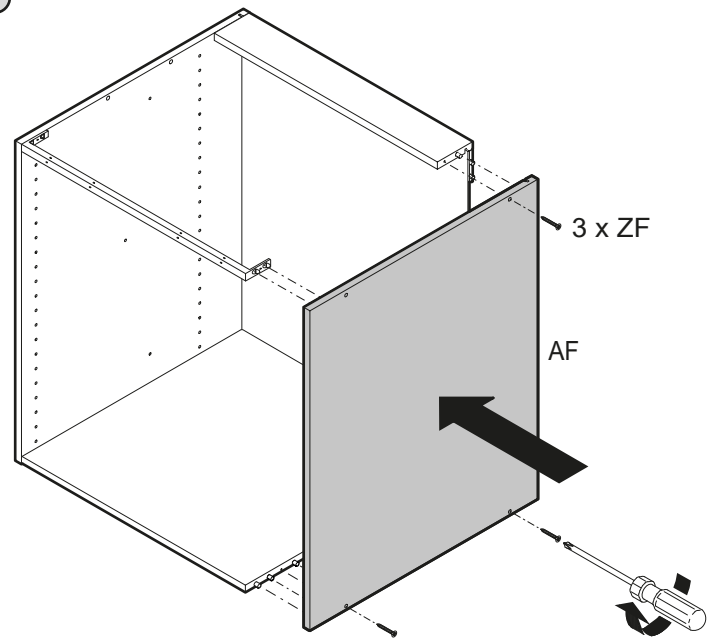


VU601  
VU801  
VUS601  
VUS801

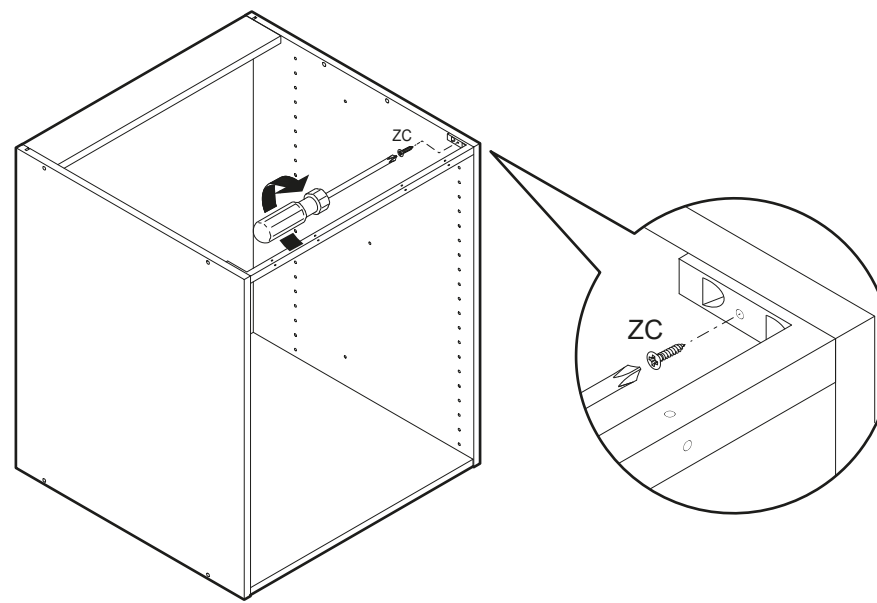
SV002



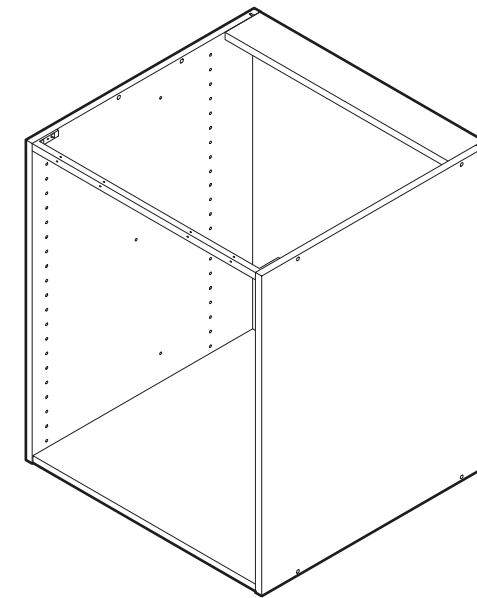
7



8

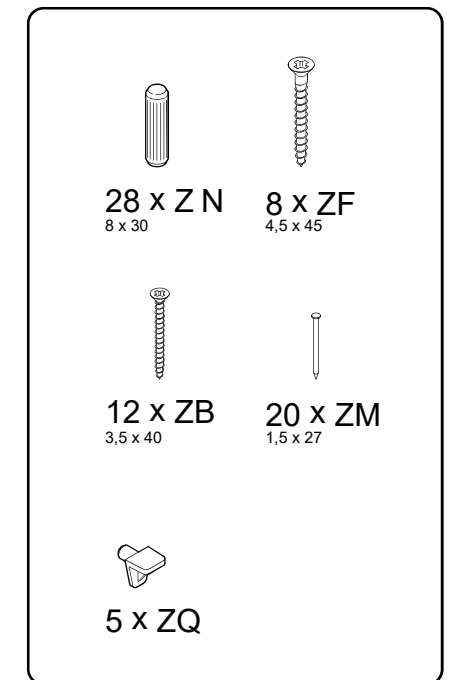
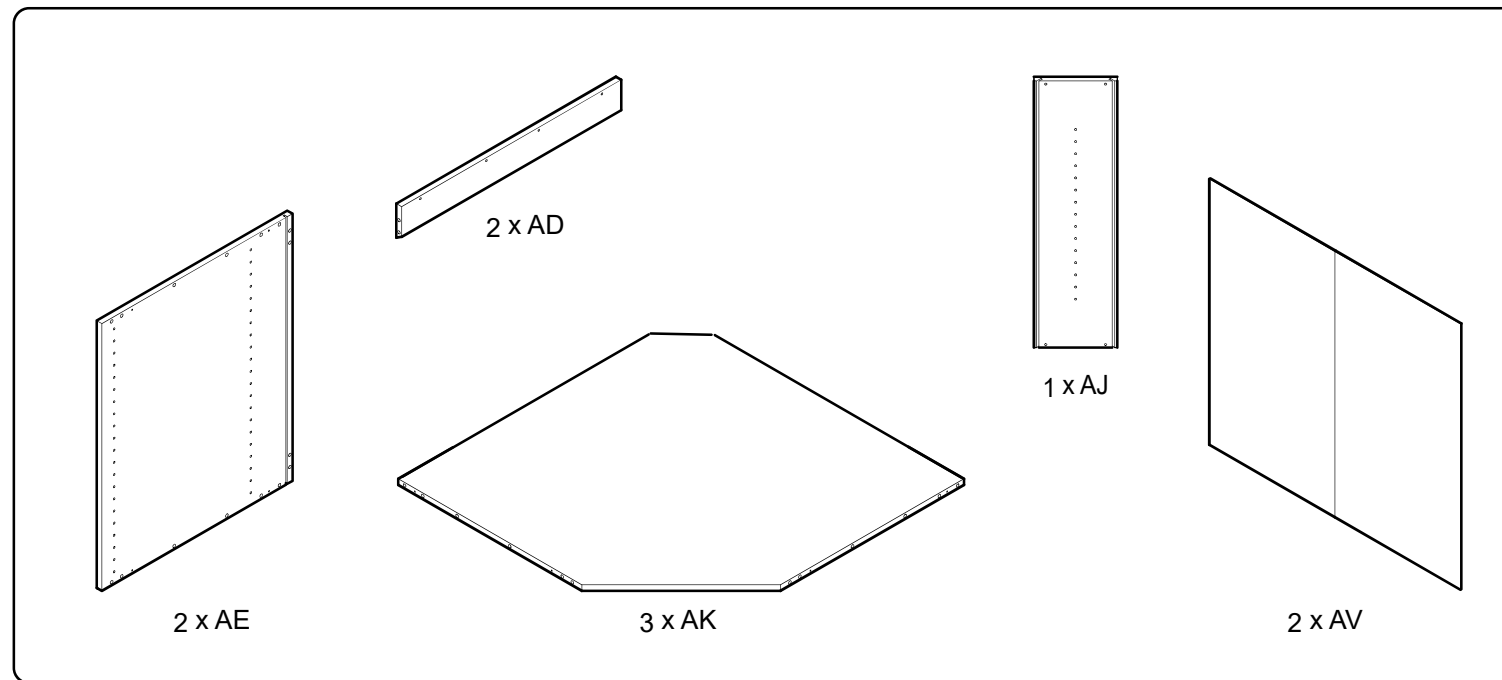
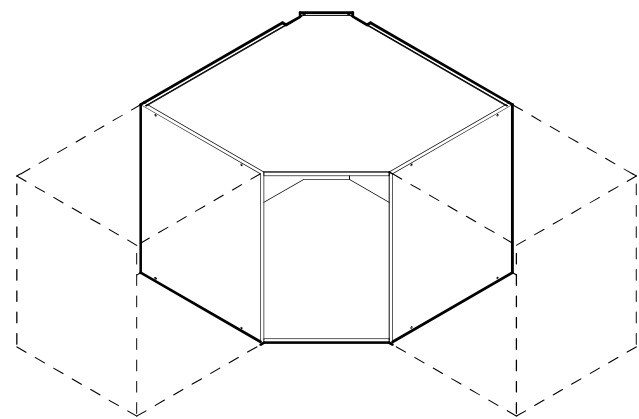


9

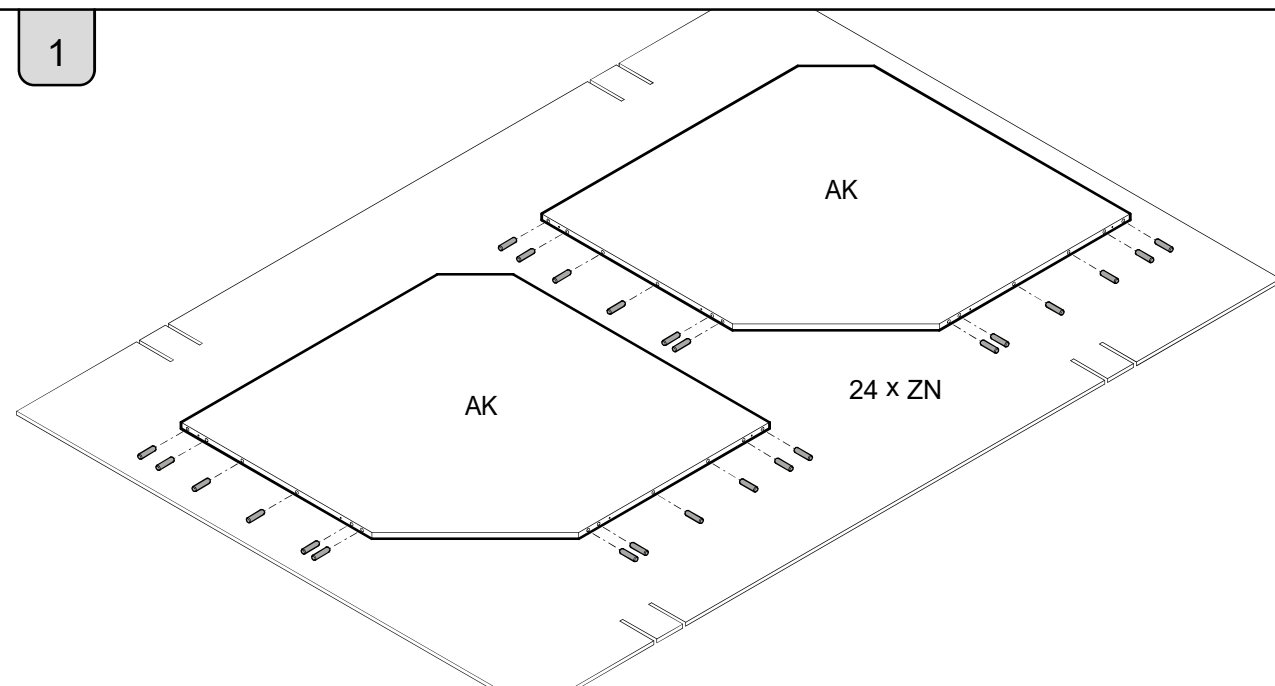


D9090  
D1212

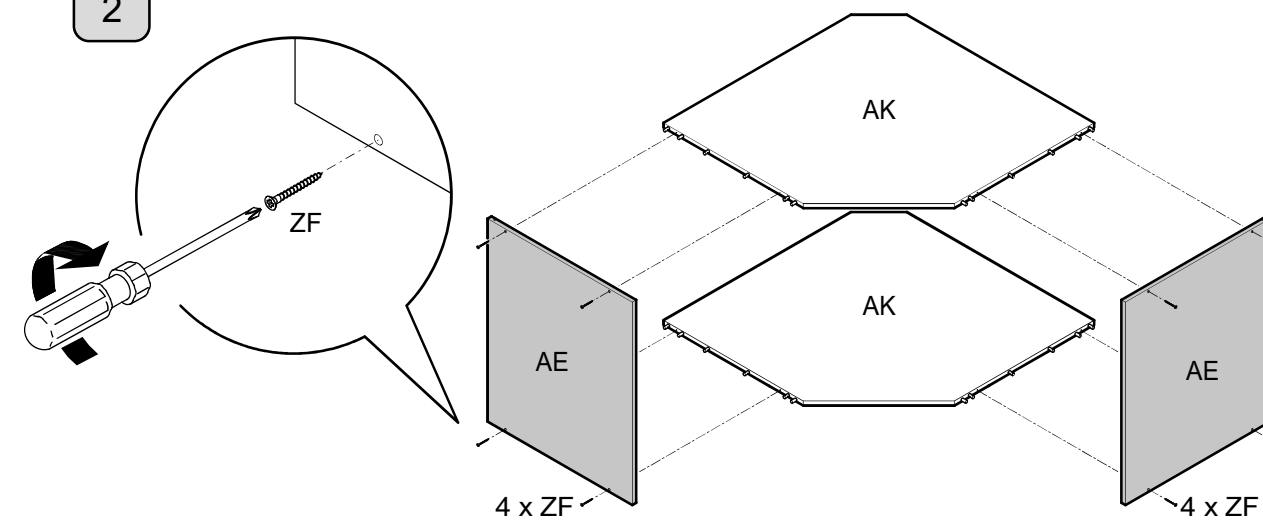
SV003



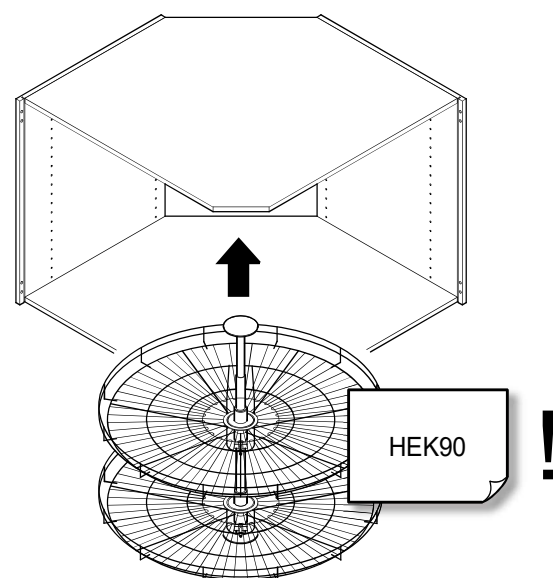
1



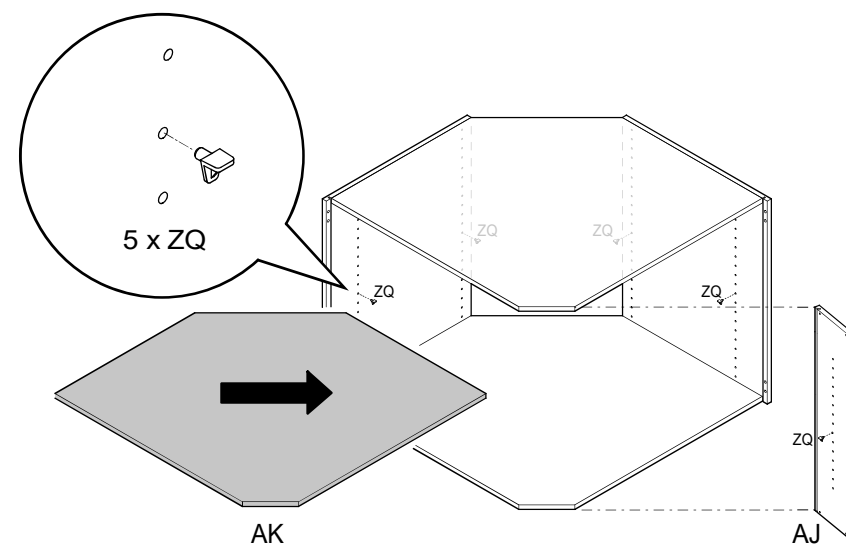
2



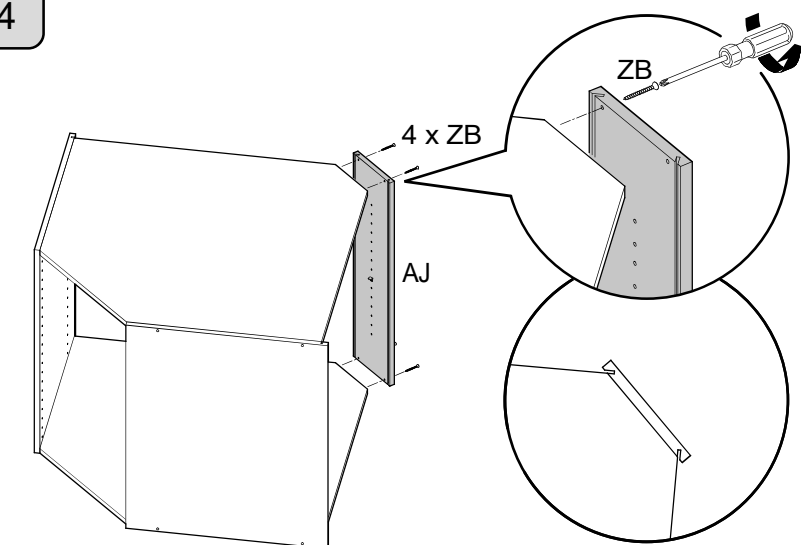
3a



3b

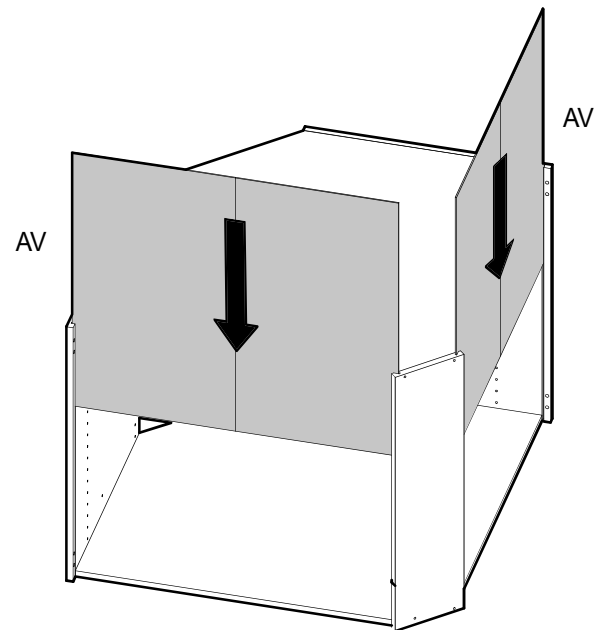


4

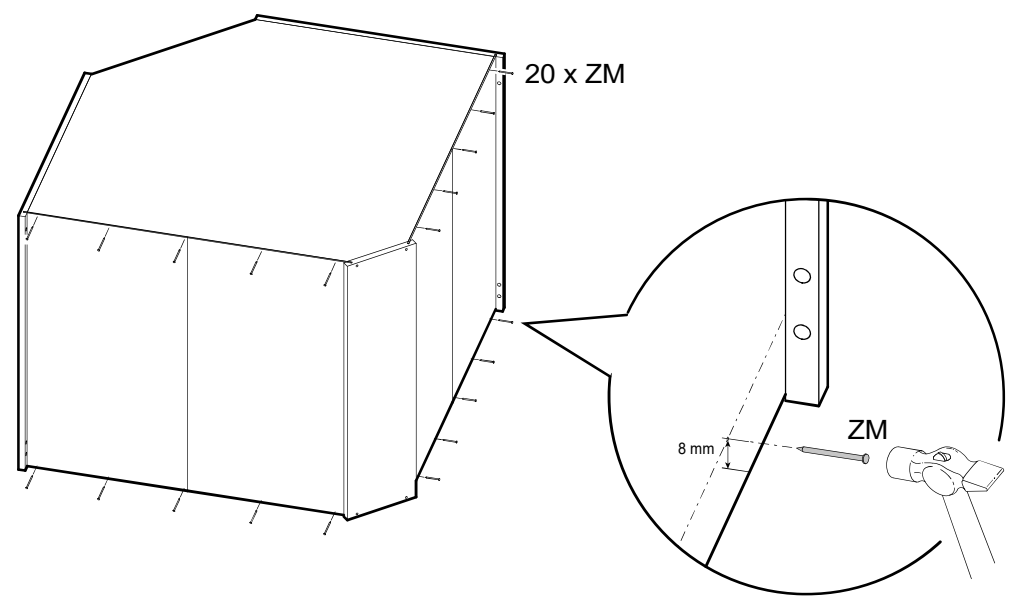




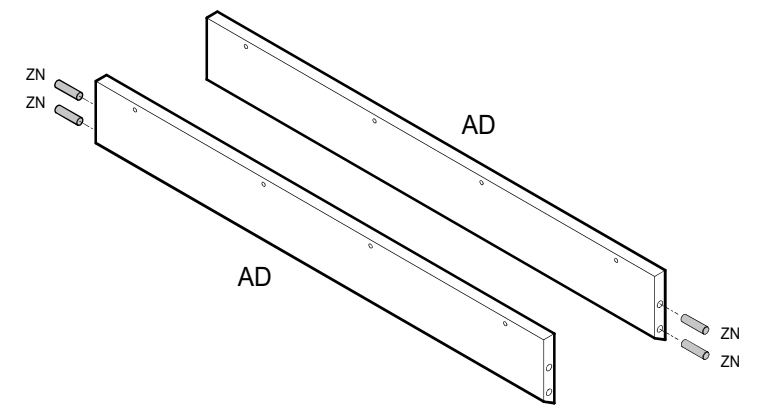
5



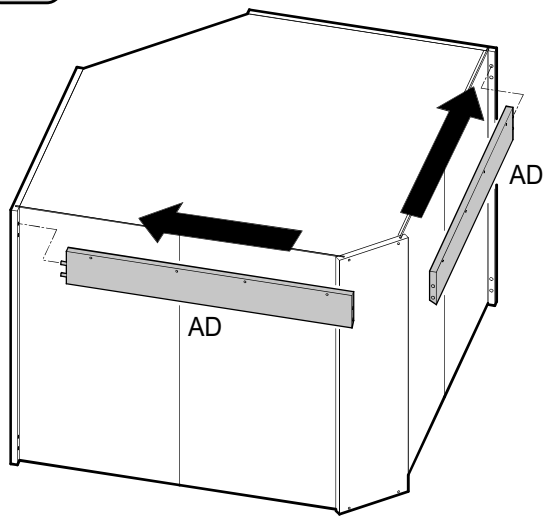
6



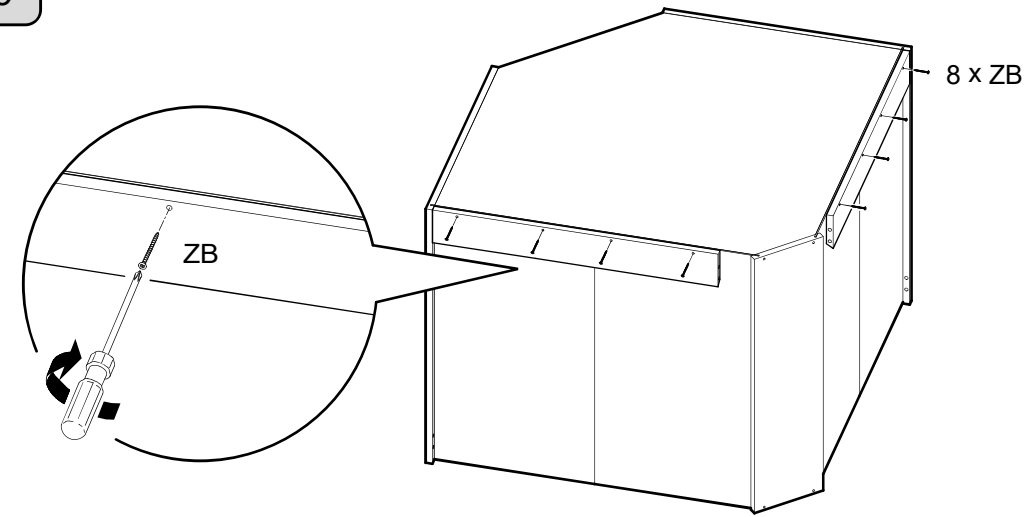
7



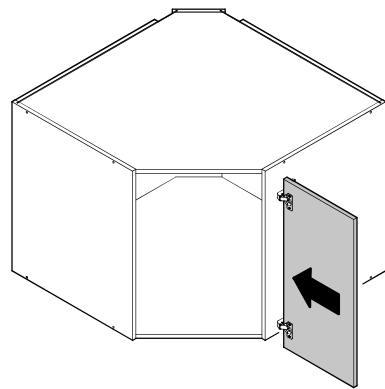
8



9



UD90-  
UD12-



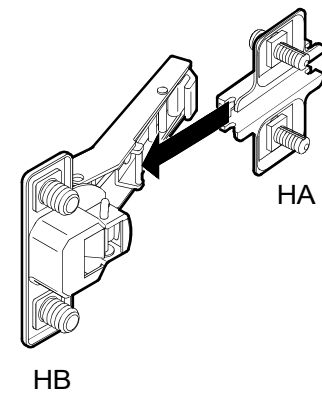
1 x BA

2 x ZY

2 x HA

2 x HB

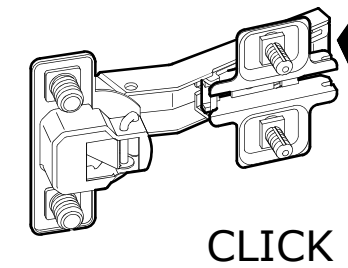
10a



HA

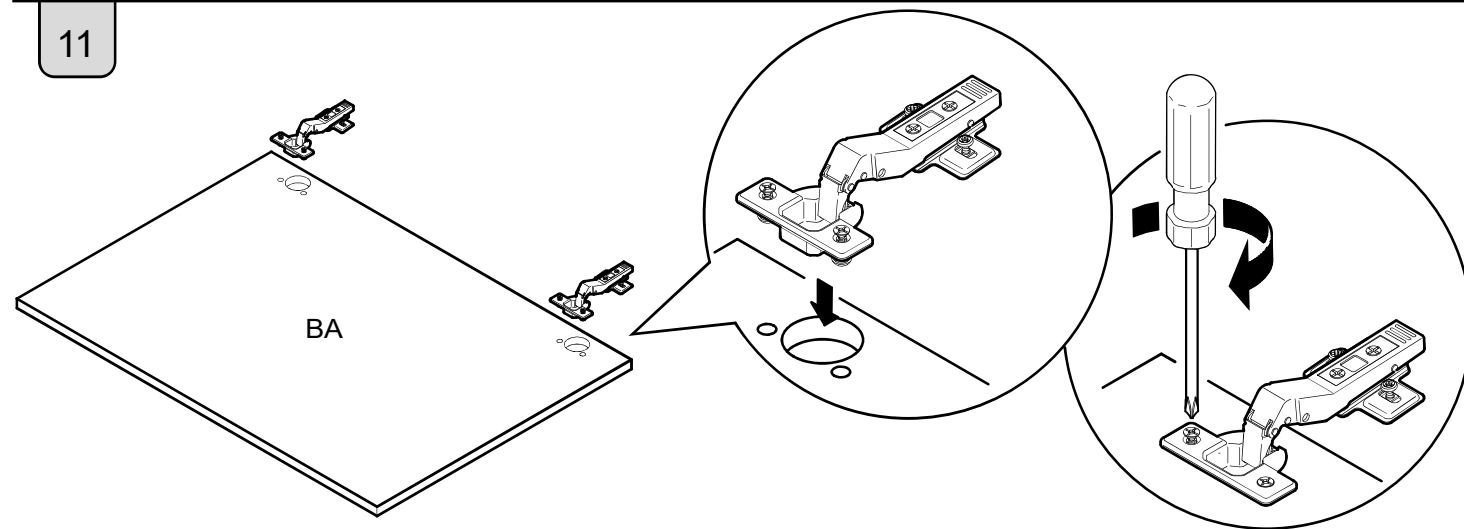
HB

10b



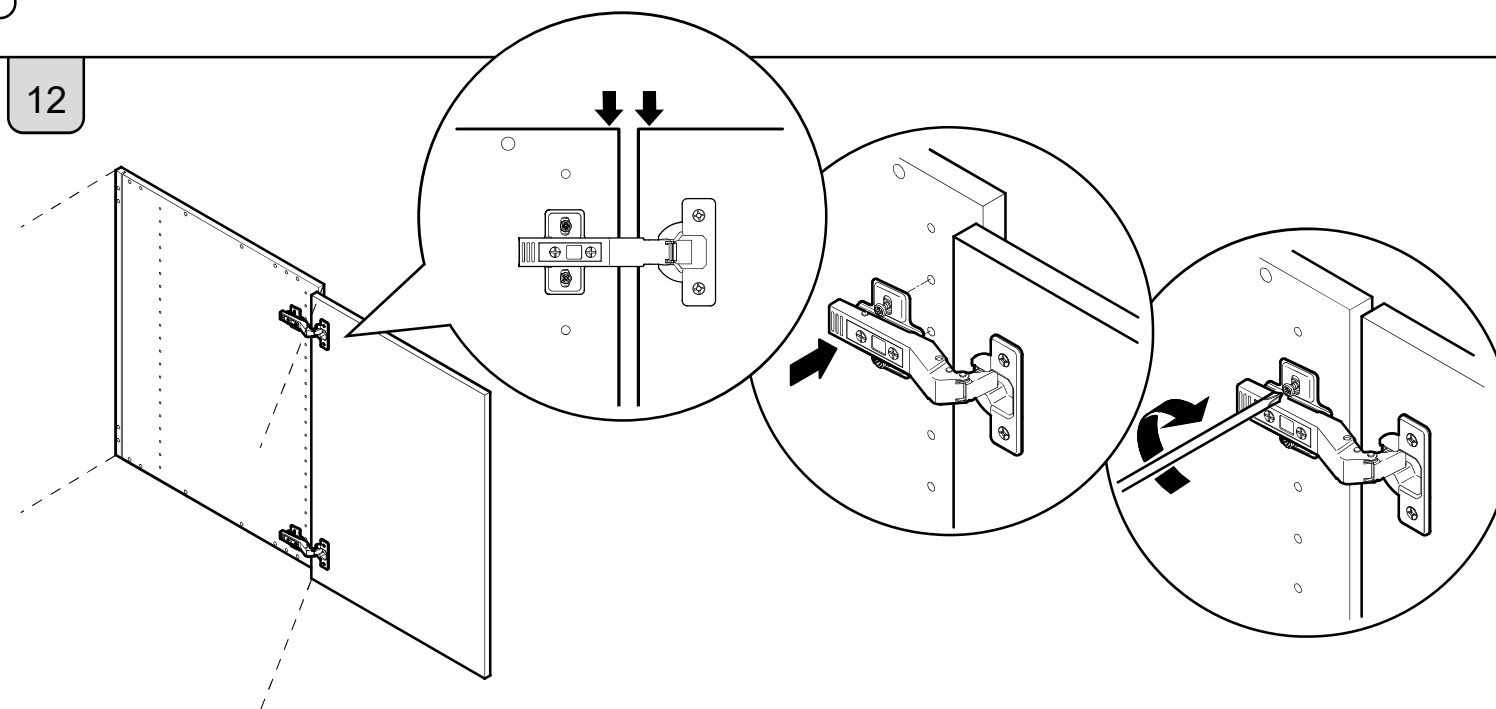
CLICK

11

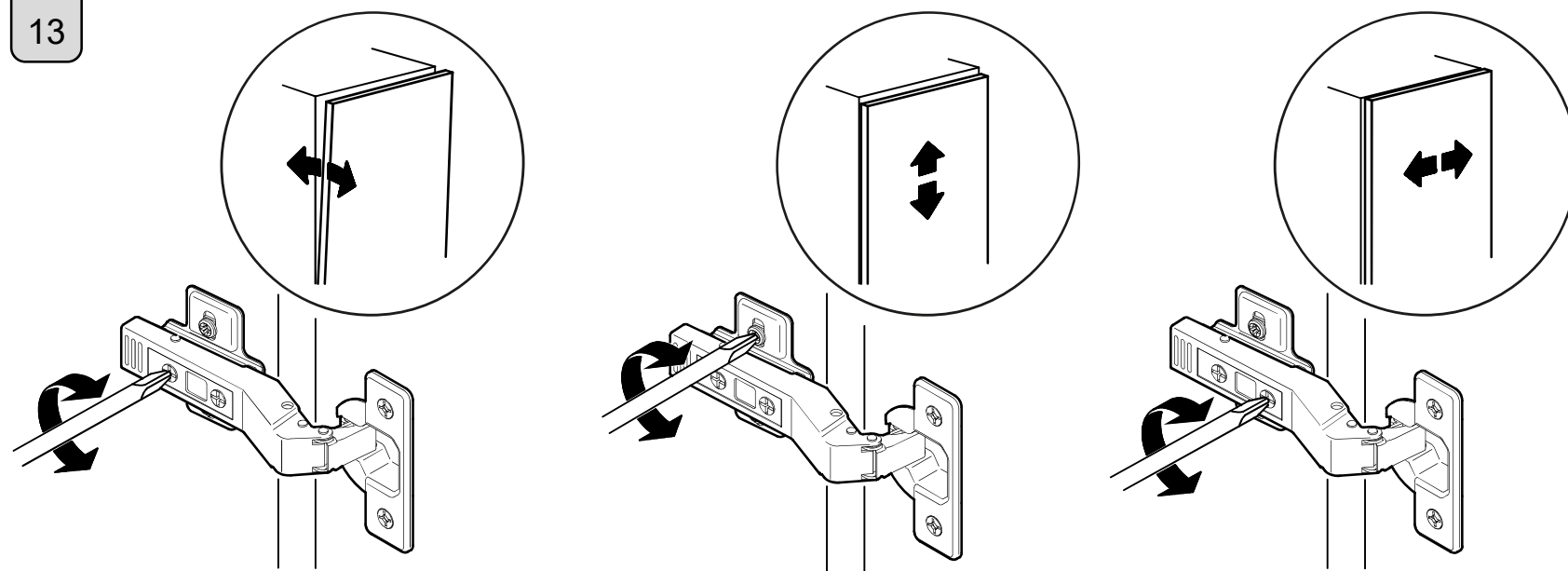


BA

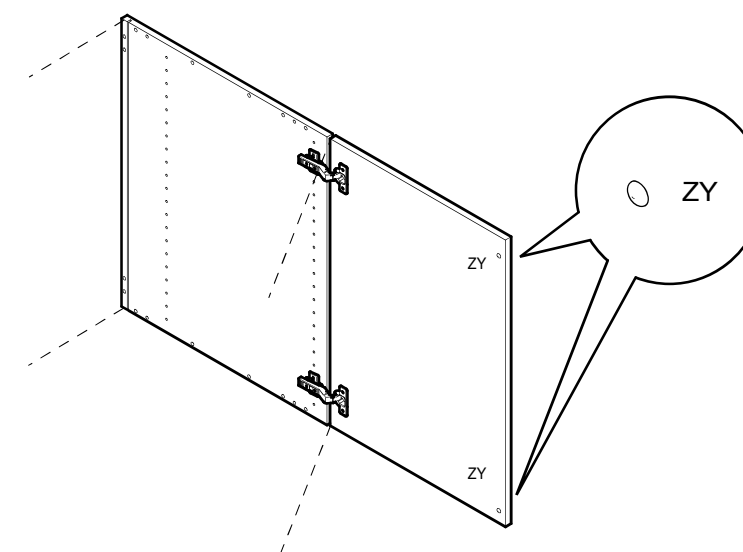
12



13



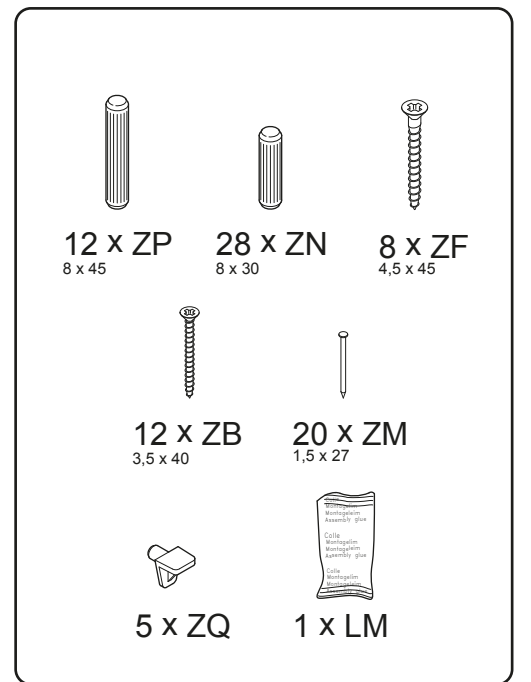
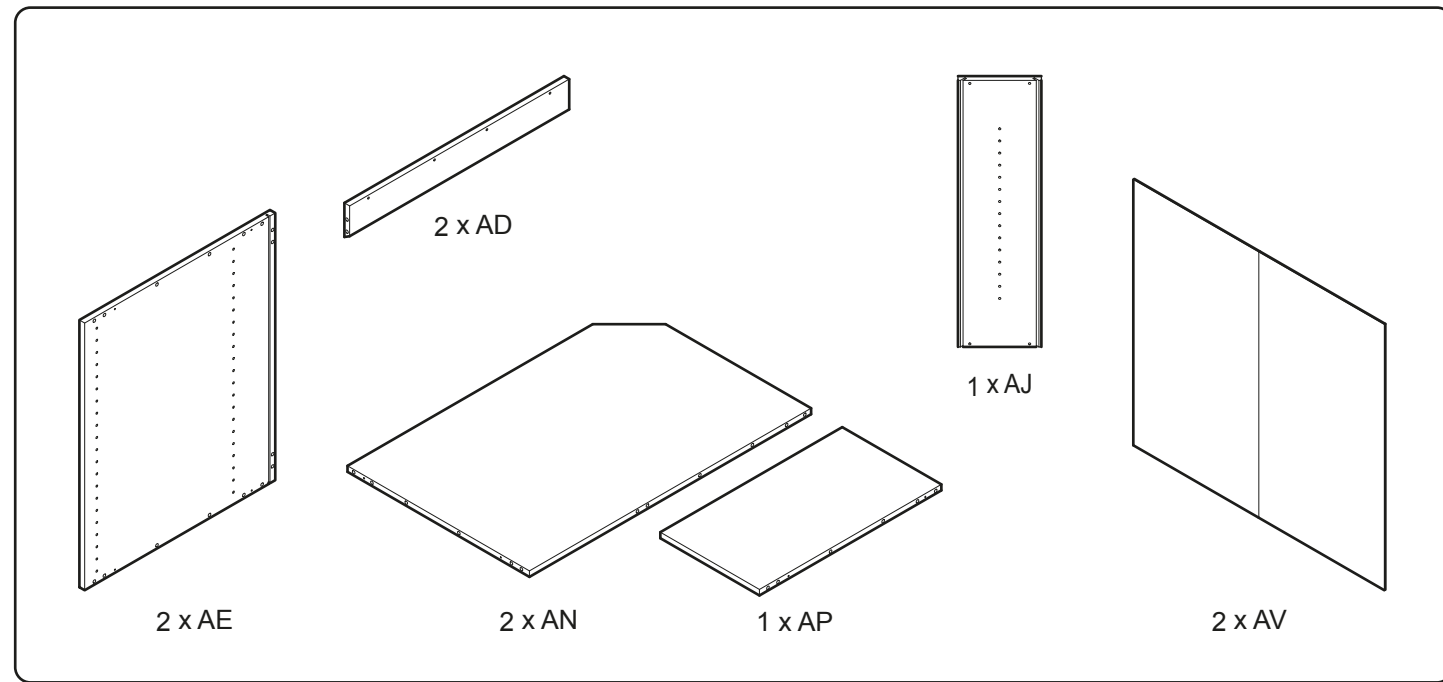
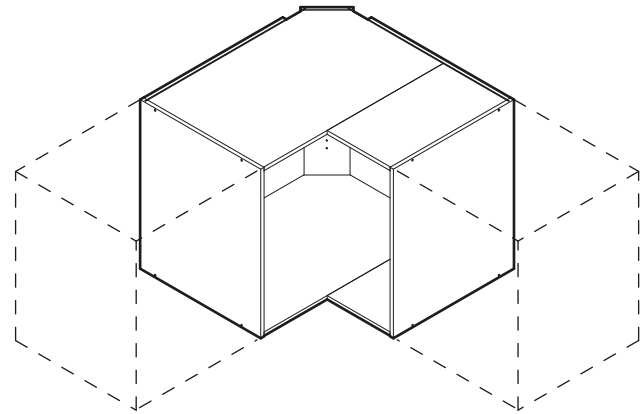
14



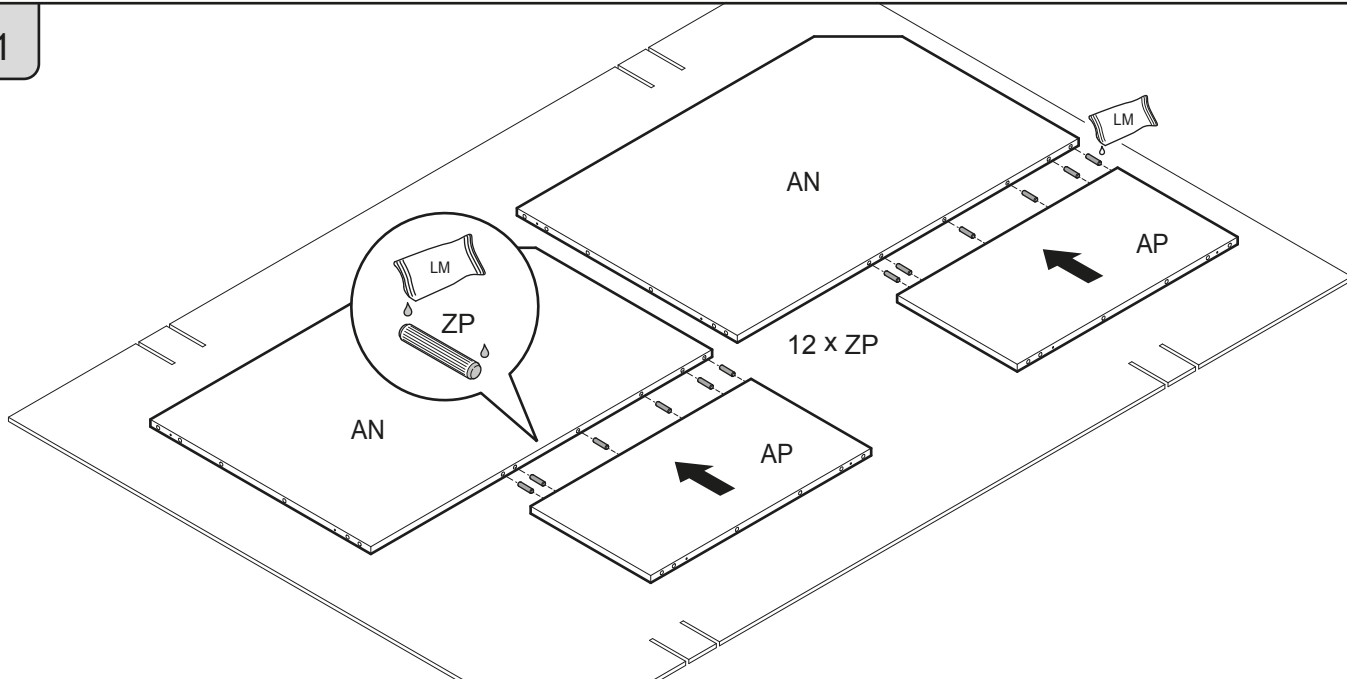
ZY

U9090

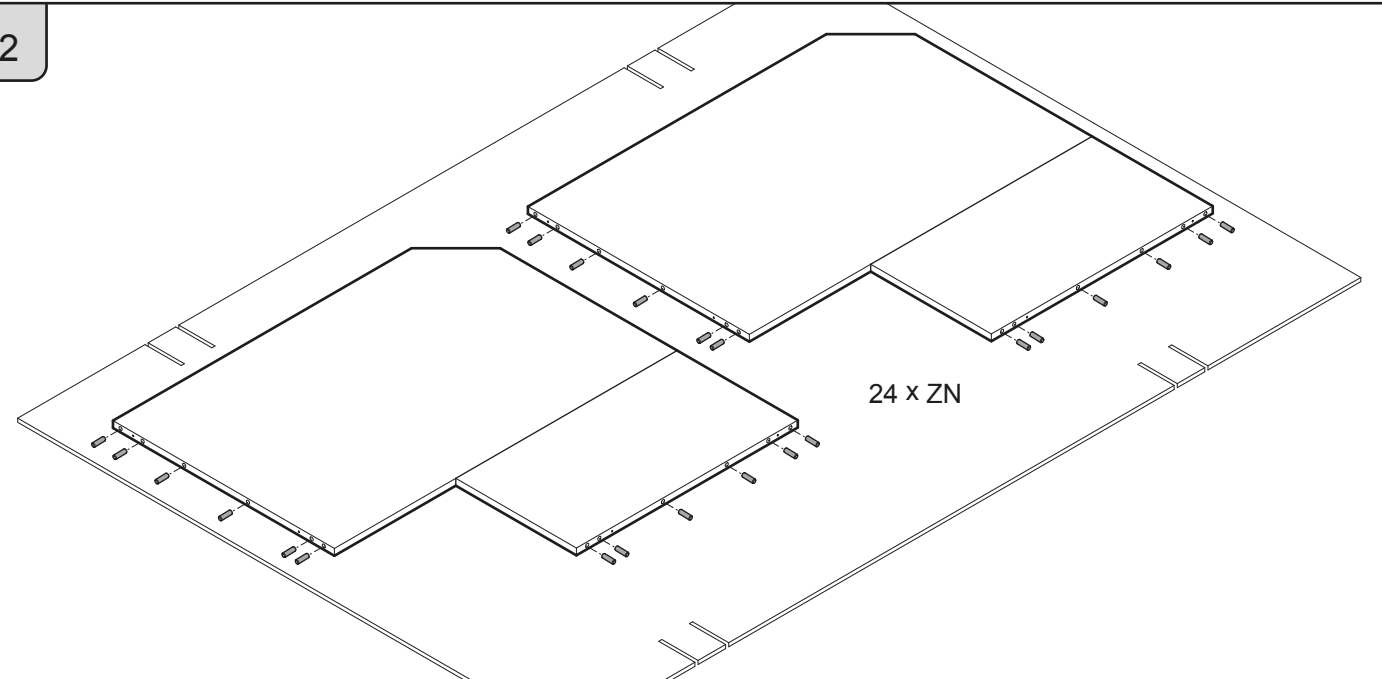
SV004



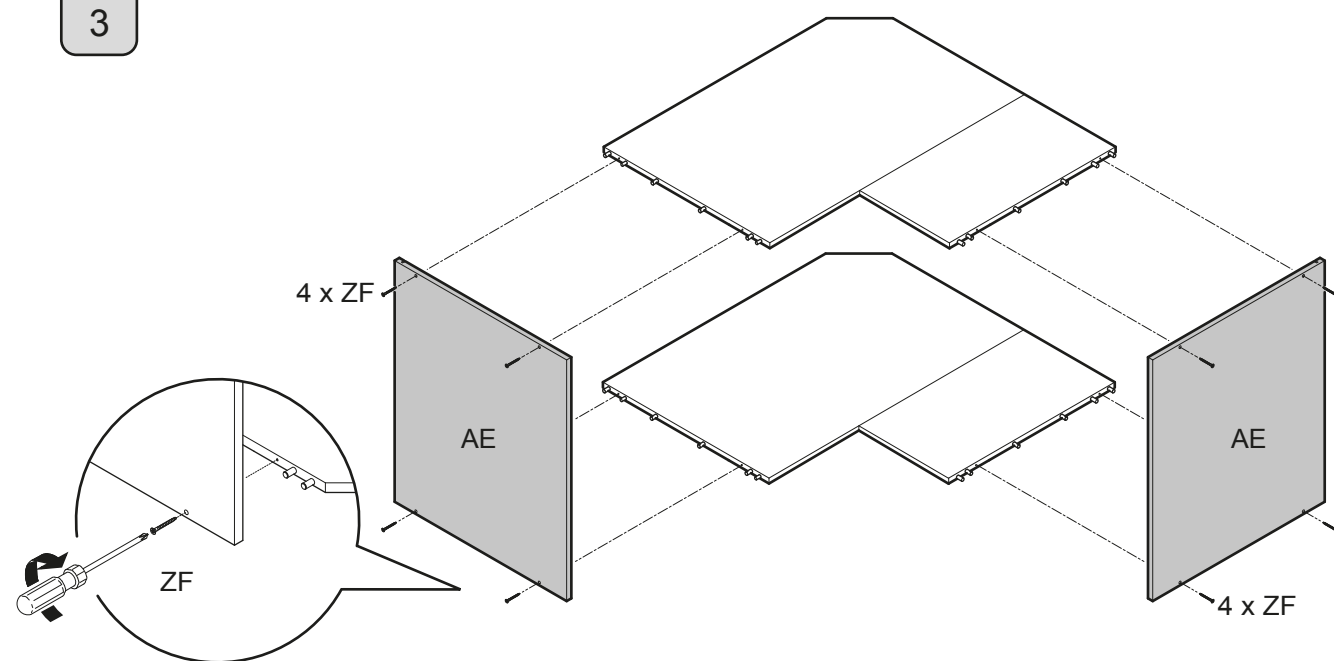
1



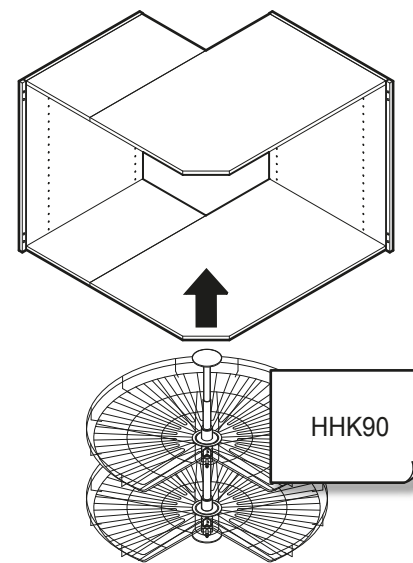
2



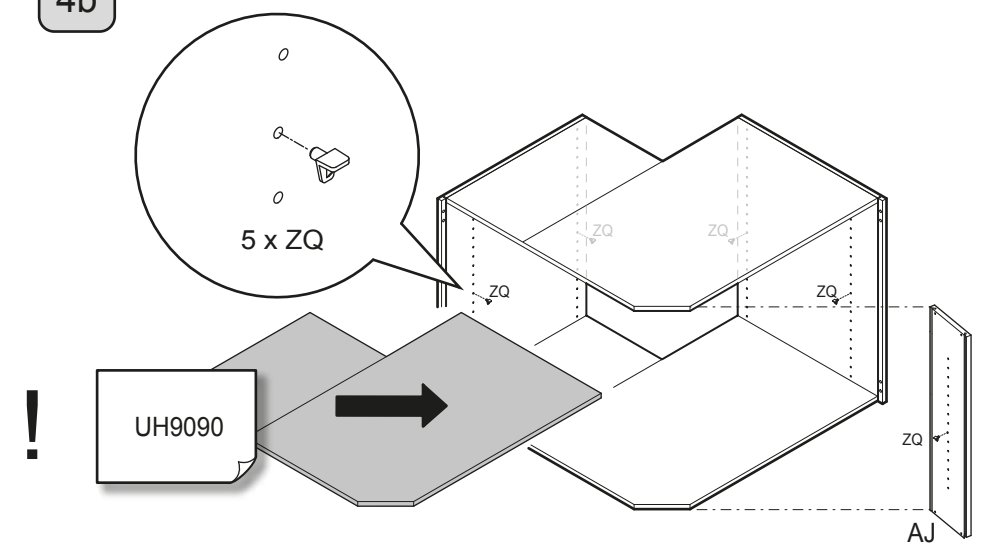
3



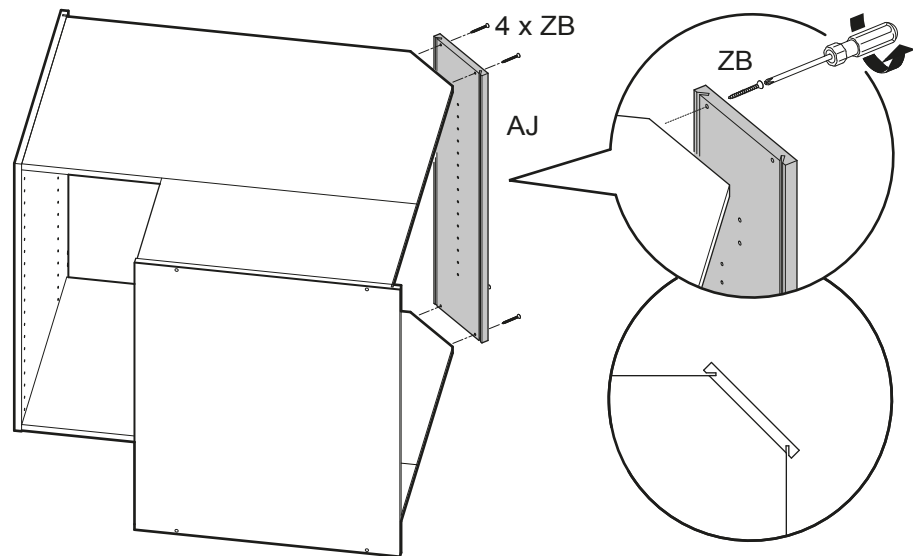
4a



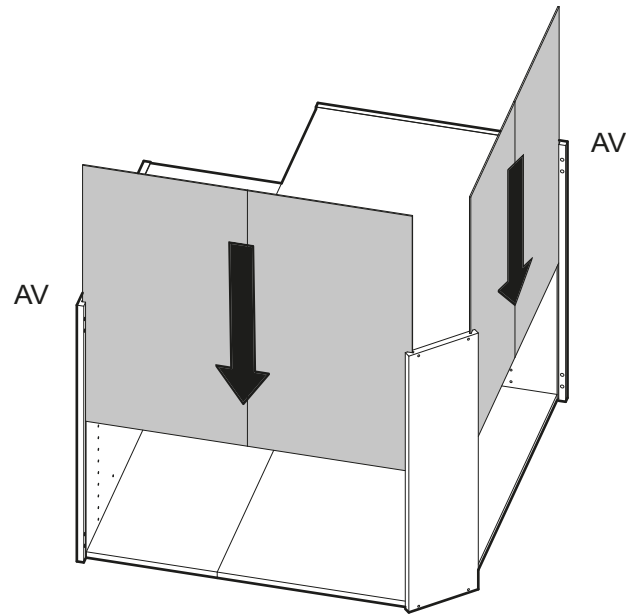
4b



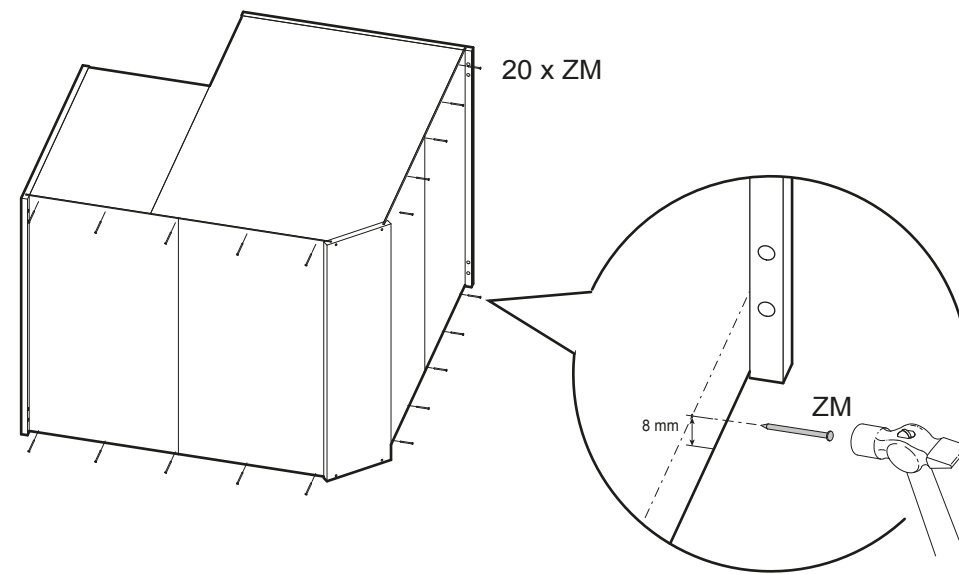
5



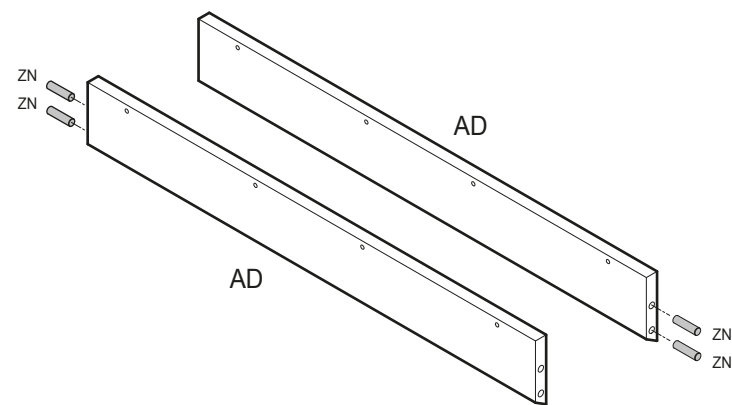
6



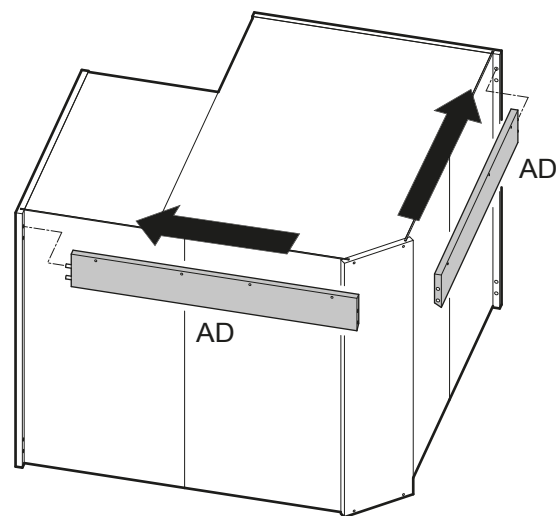
7



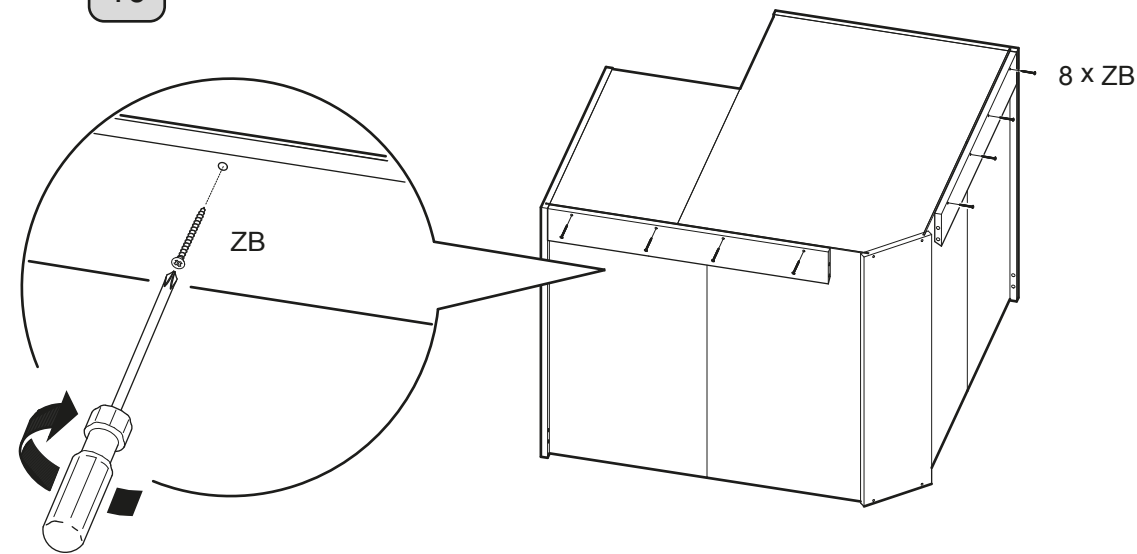
8



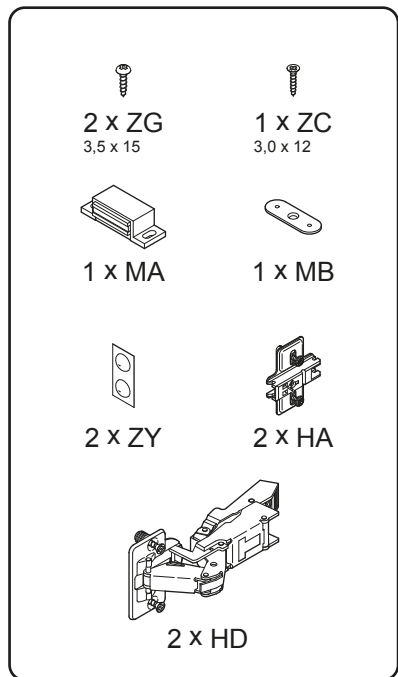
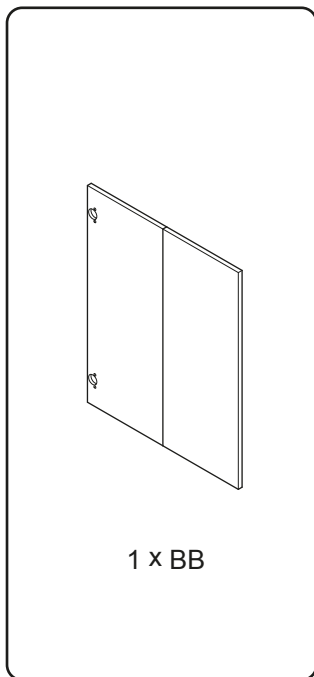
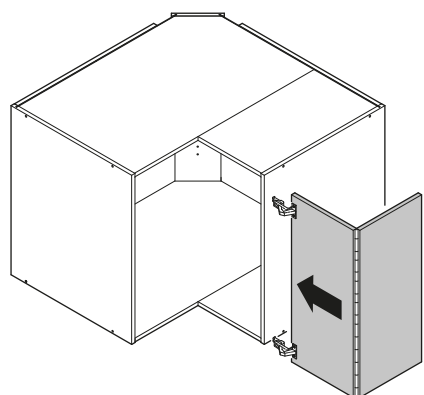
9



10

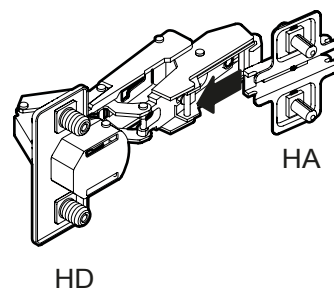


UH90-  
UHK90-

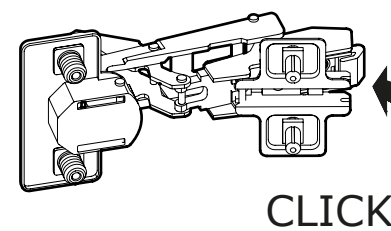


2 / 3 SV004

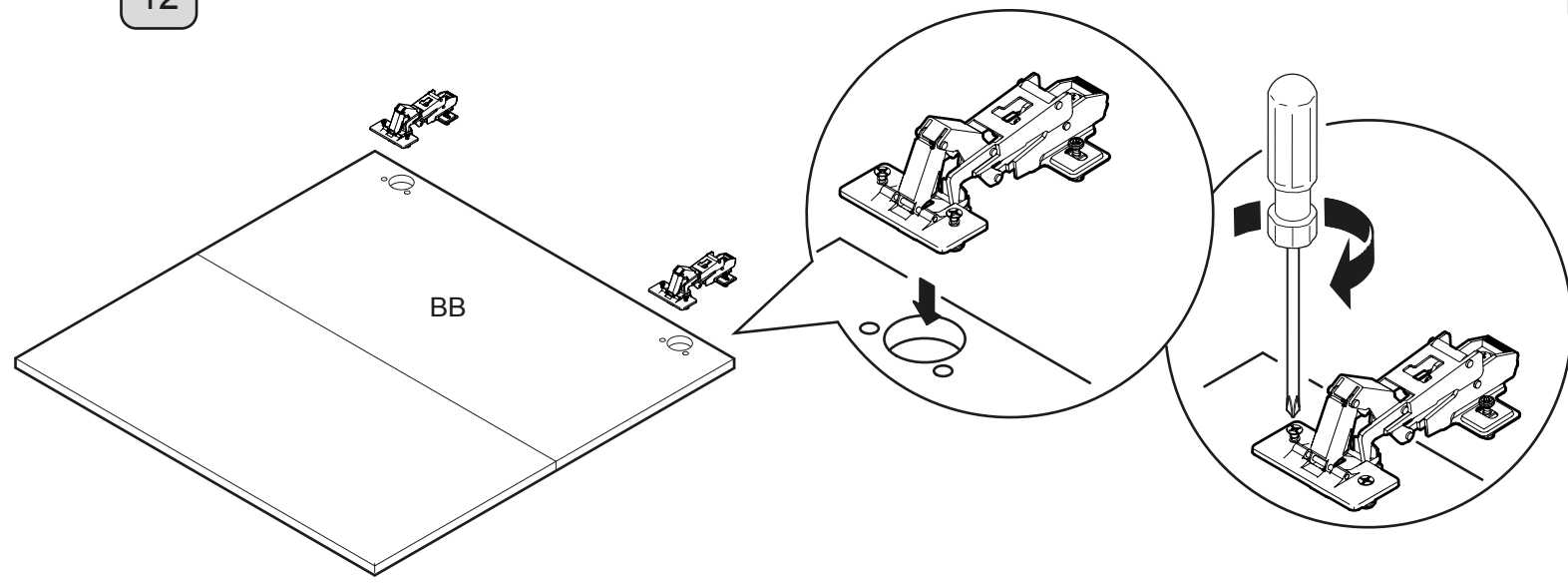
11a



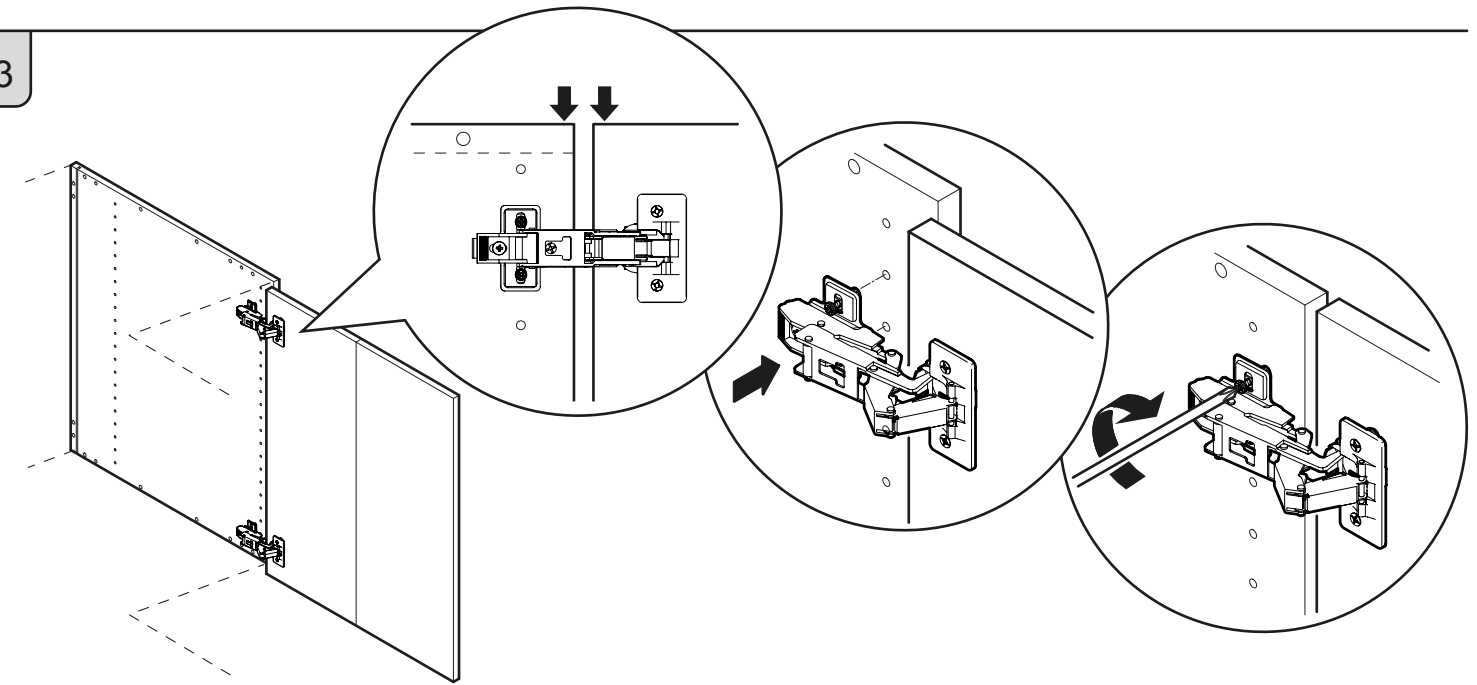
11b



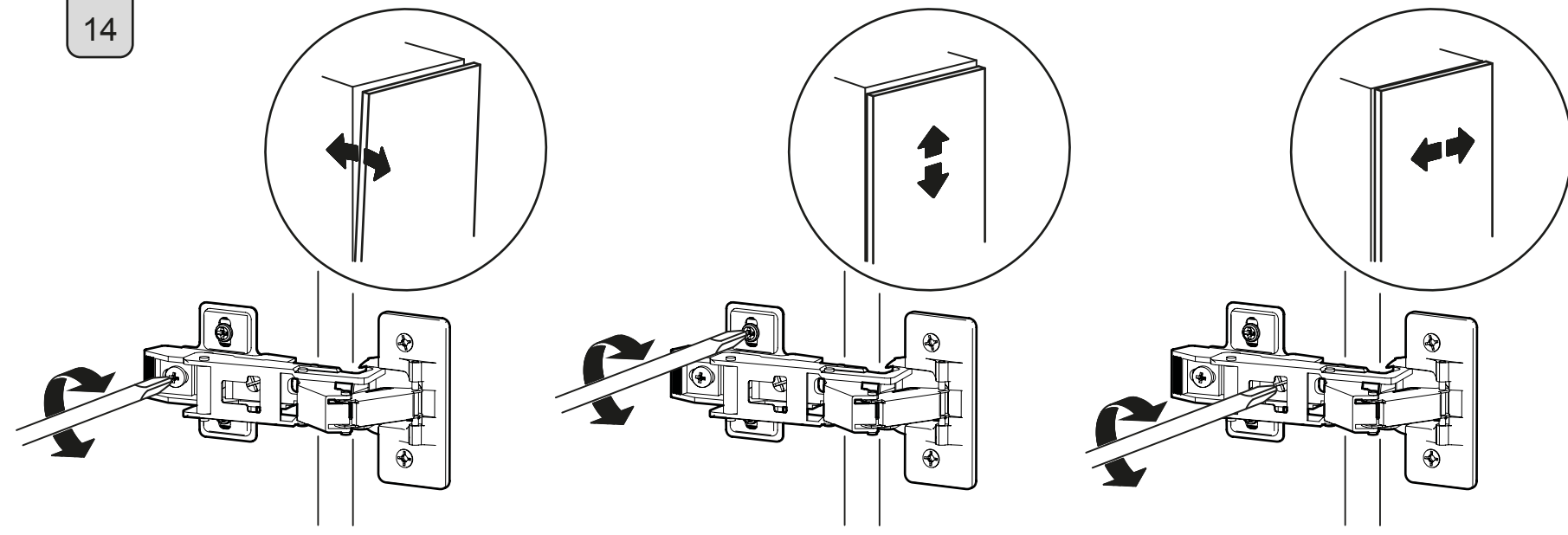
12



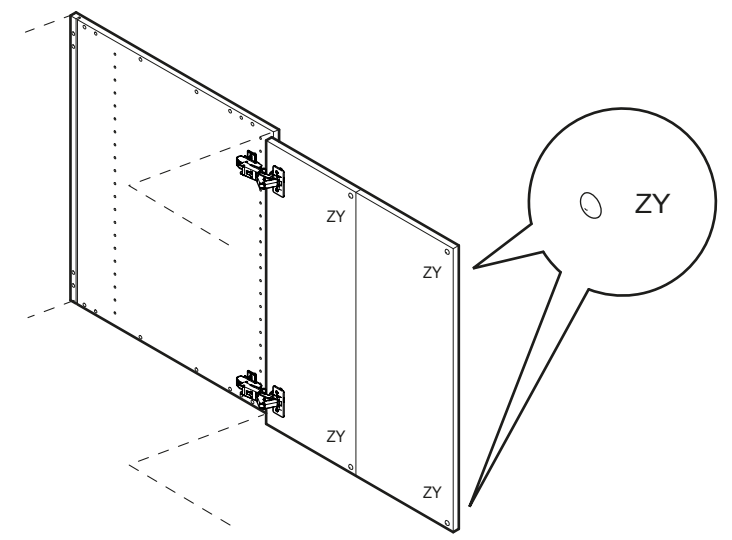
13



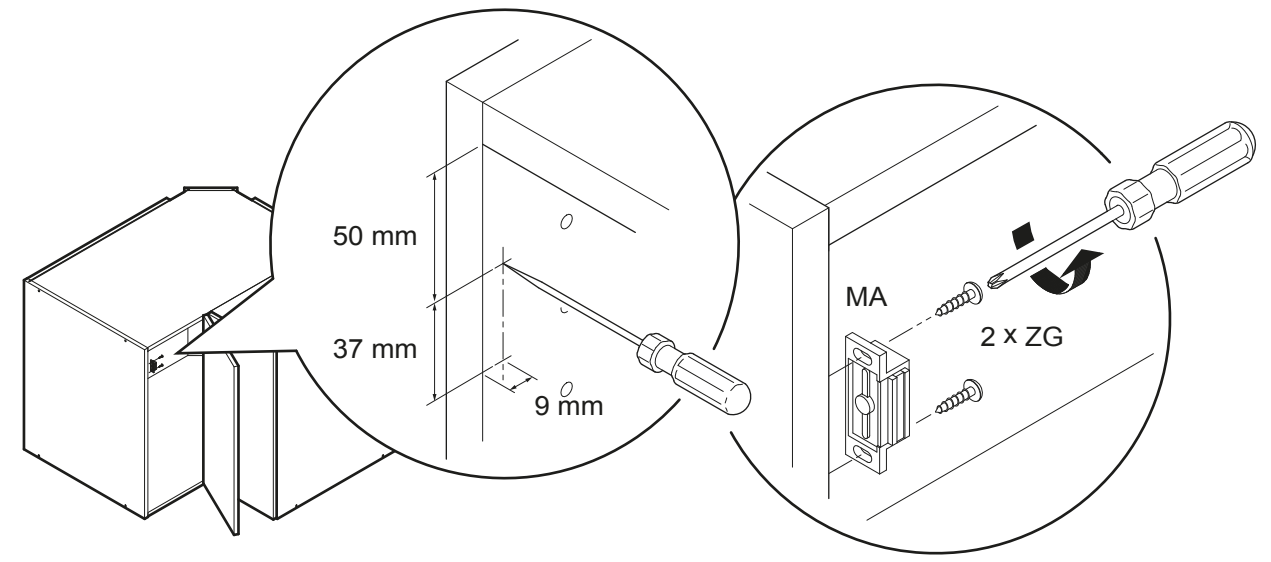
14



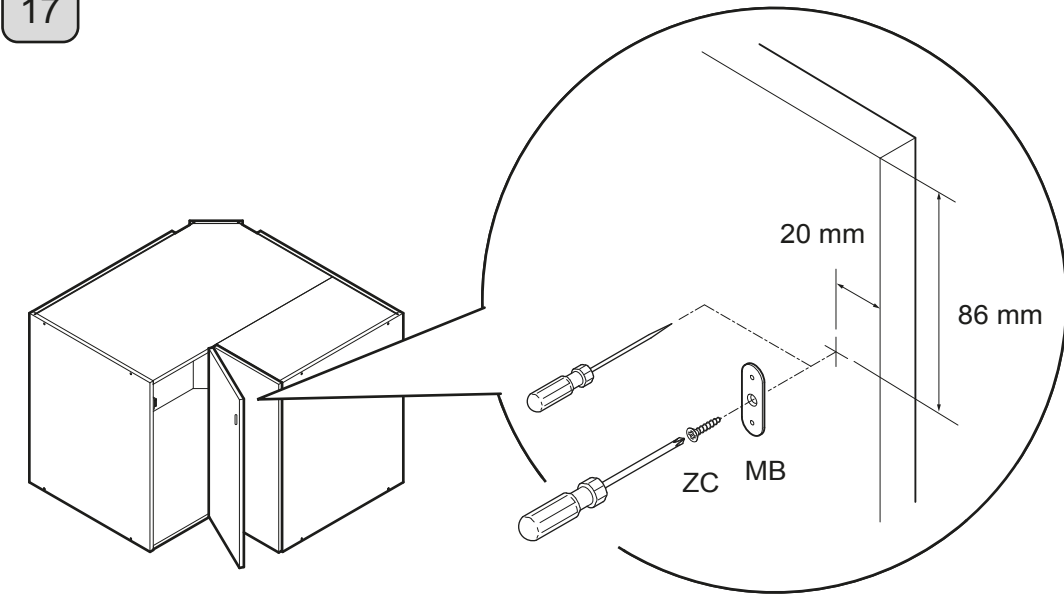
15



16

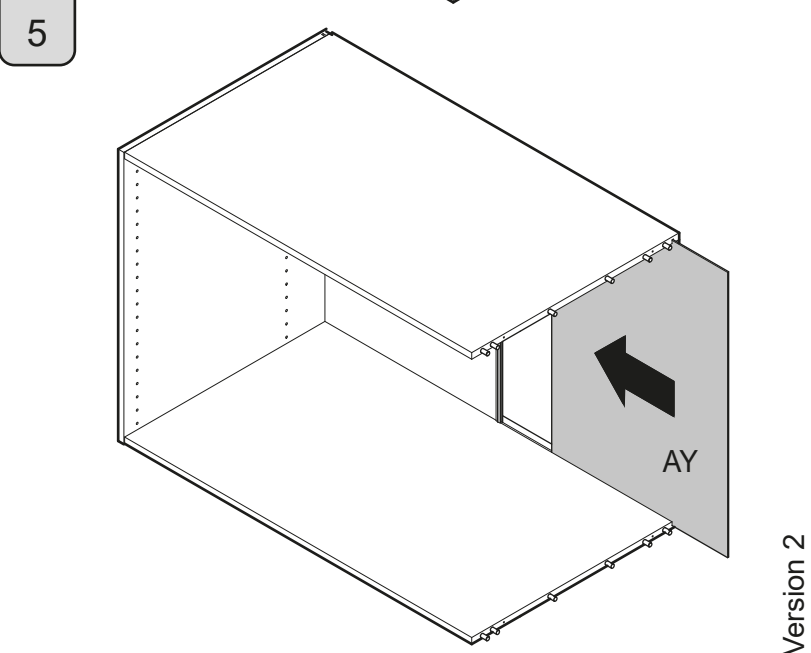
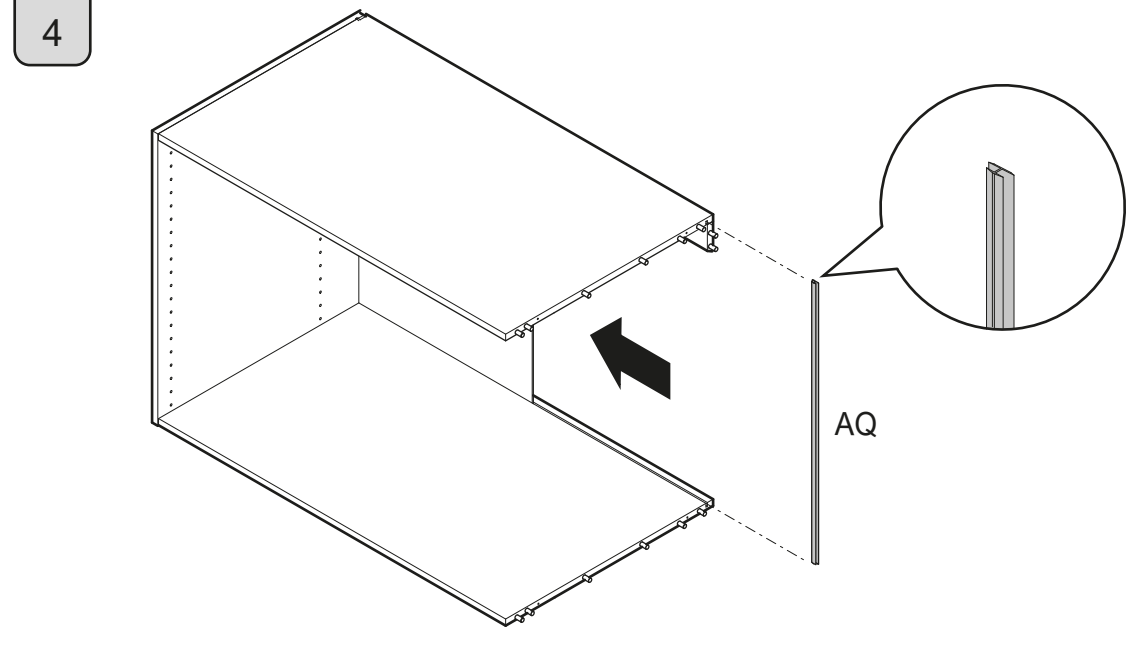
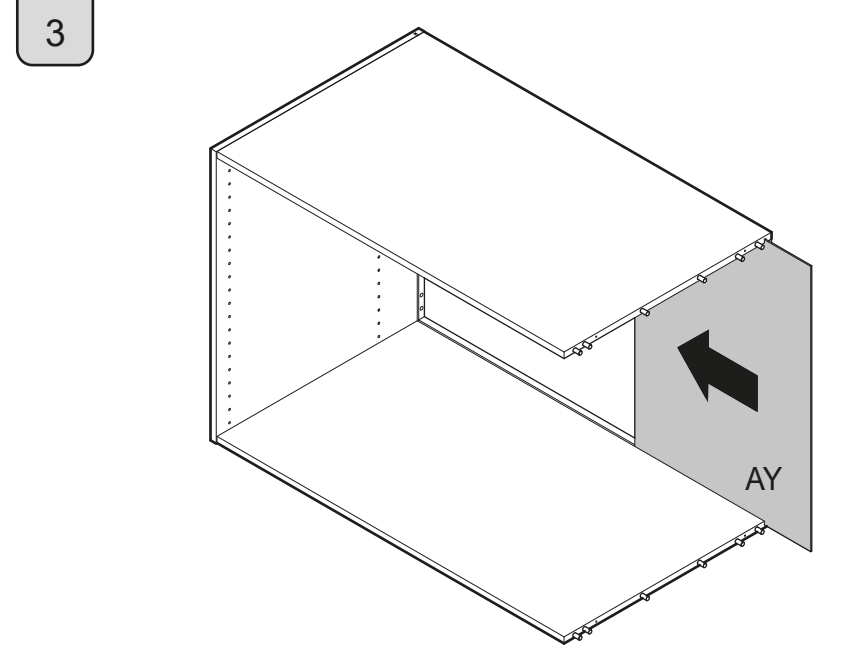
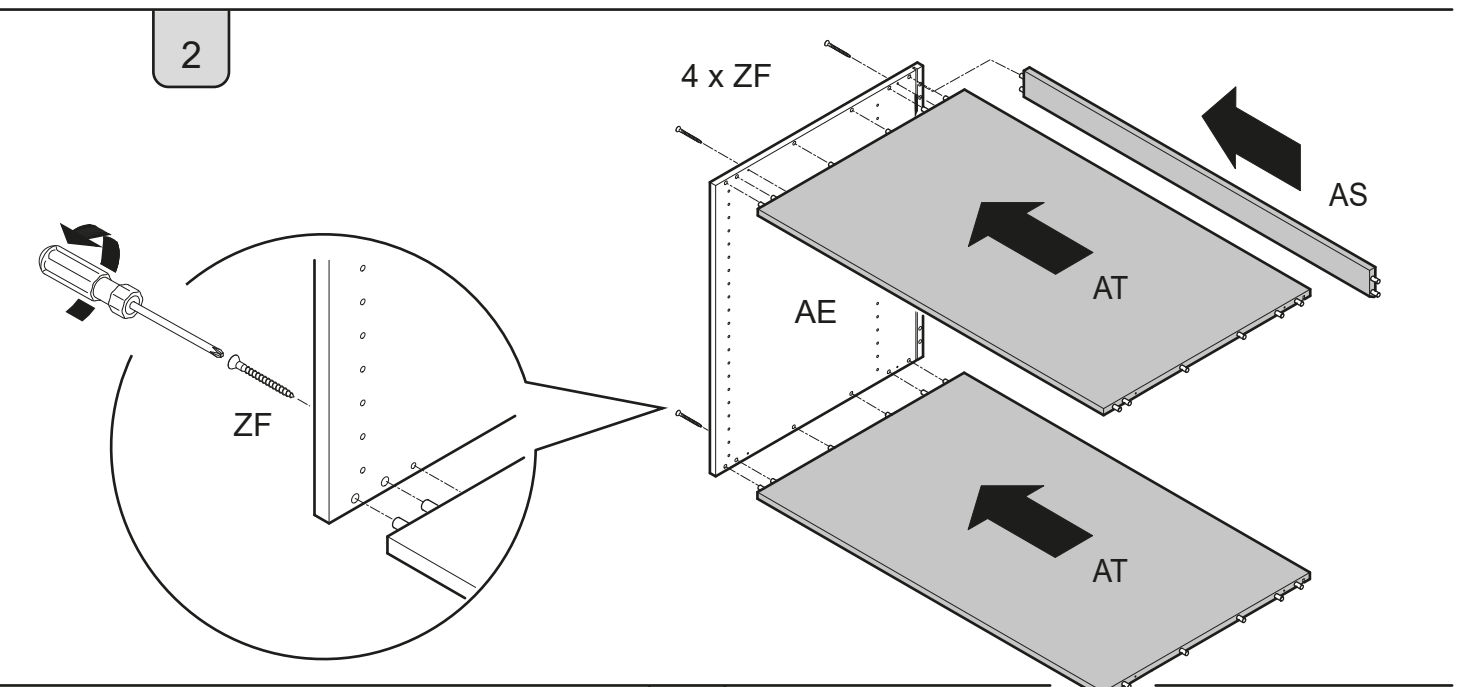
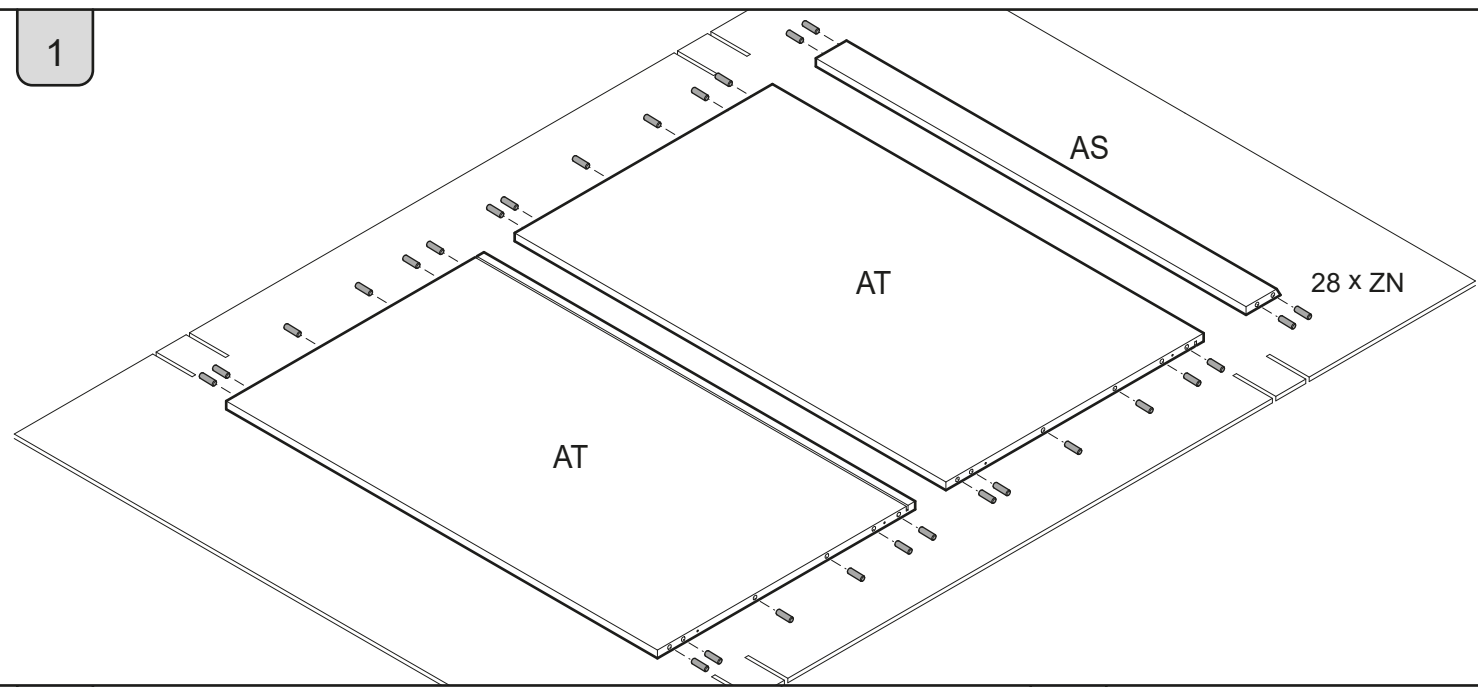
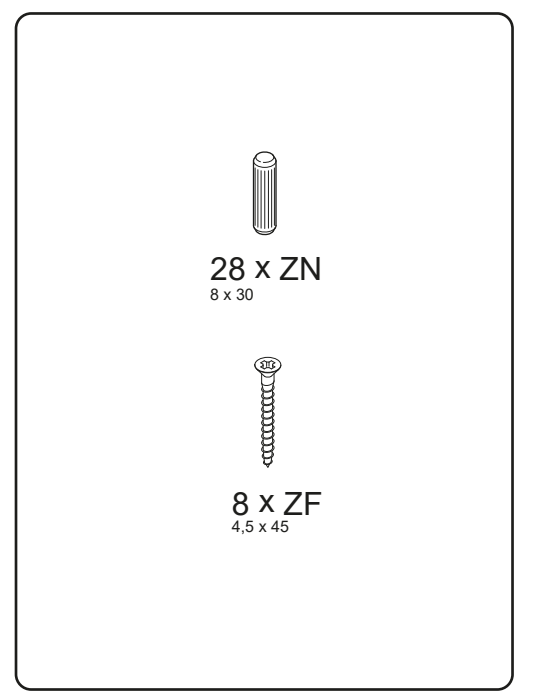
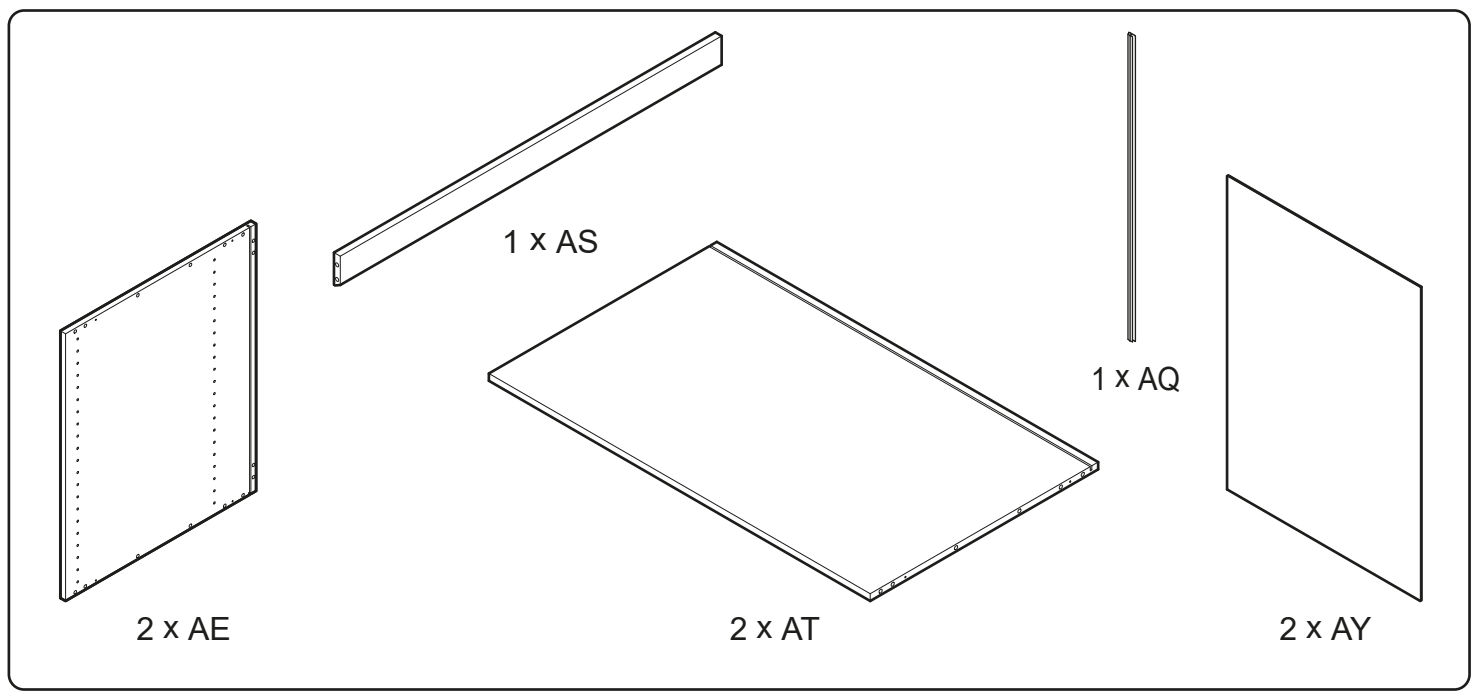
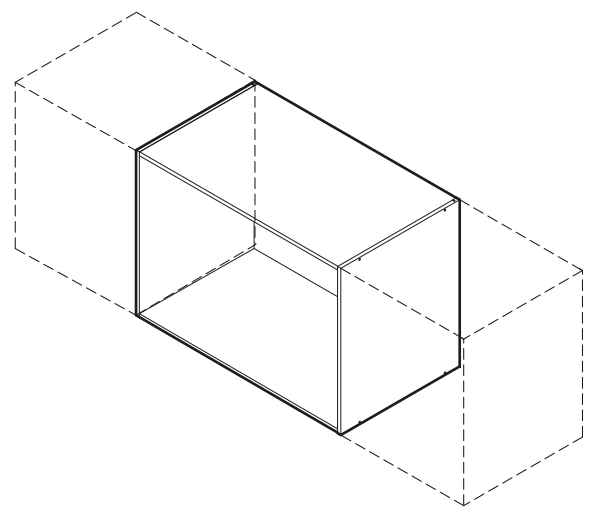


17



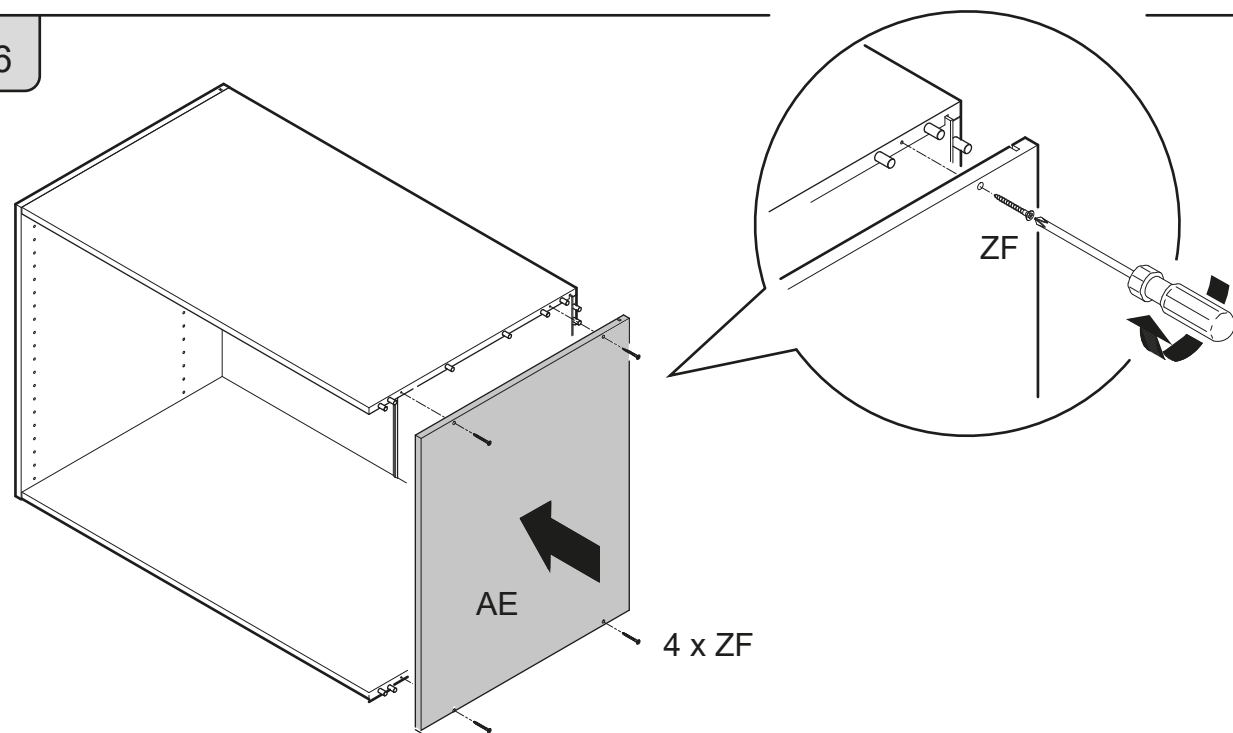
U1001  
VU1001  
LU1001  
VUS1001

SV005

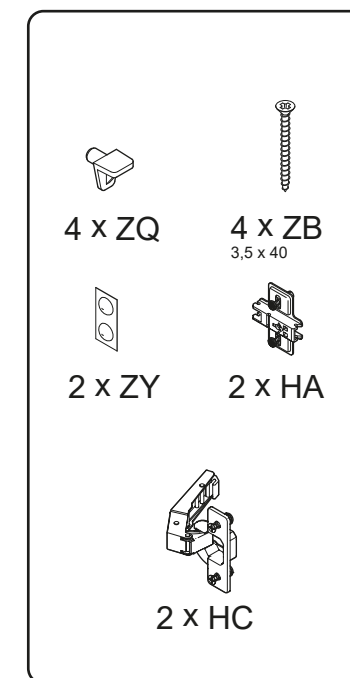
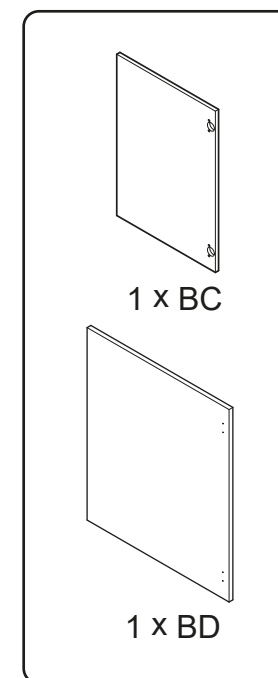
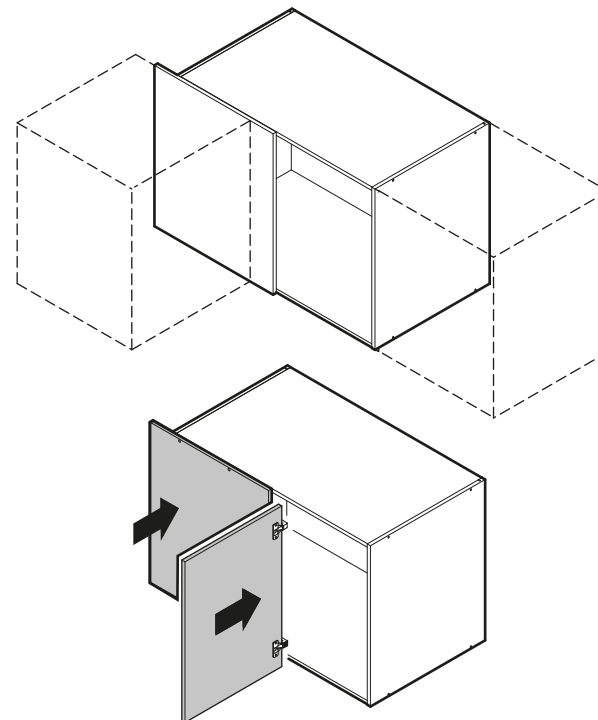




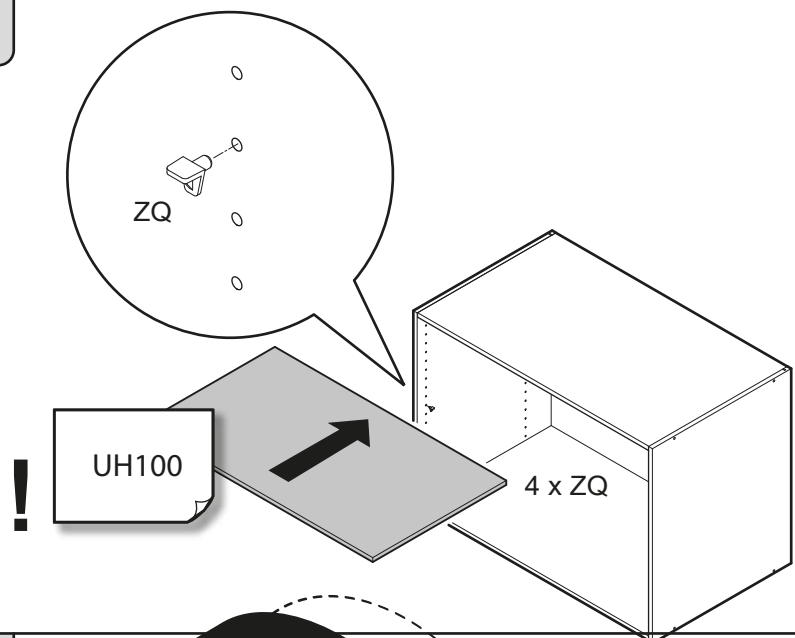
6



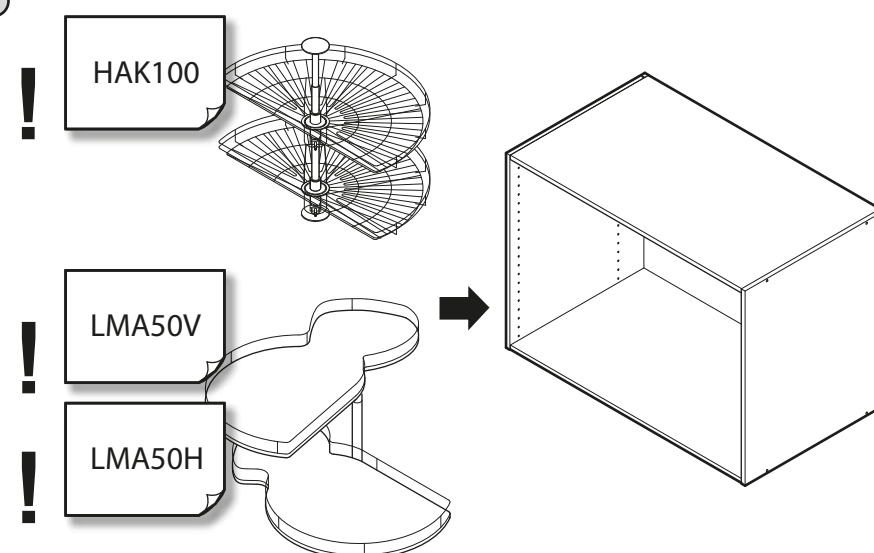
UH101-  
UH102-  
UHHL102-  
UHVL102-



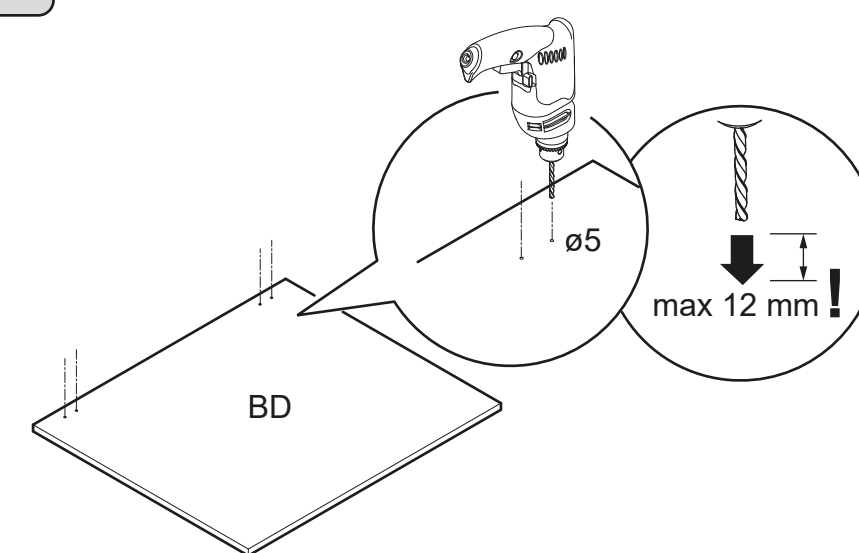
7a



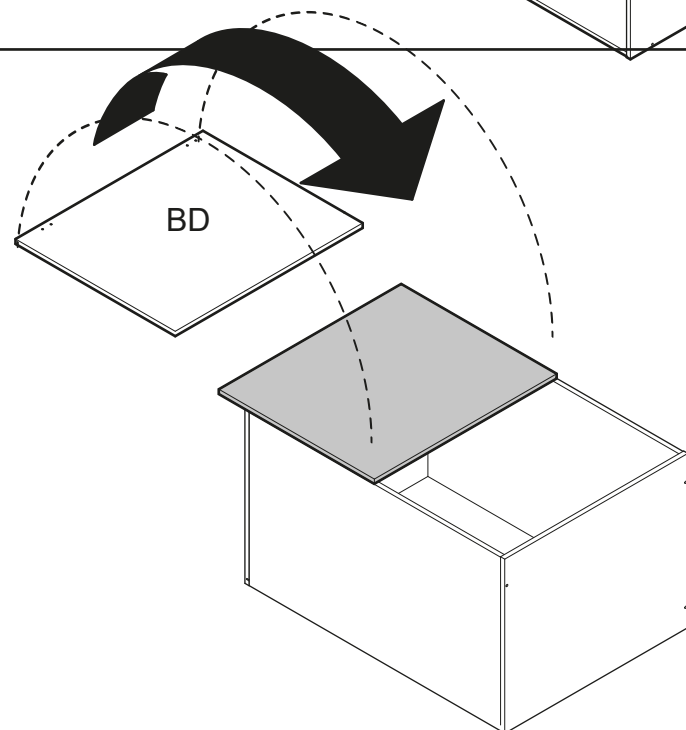
7b



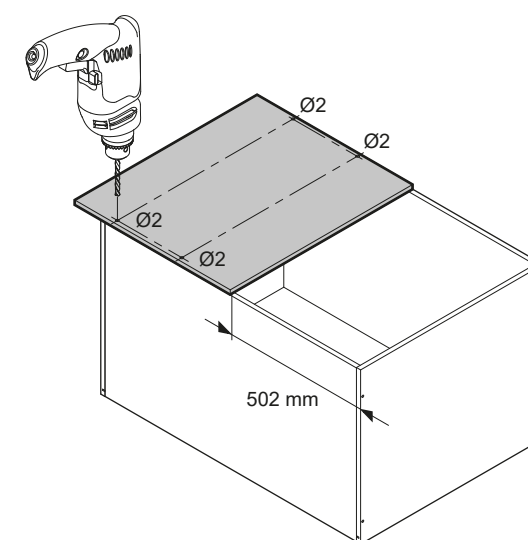
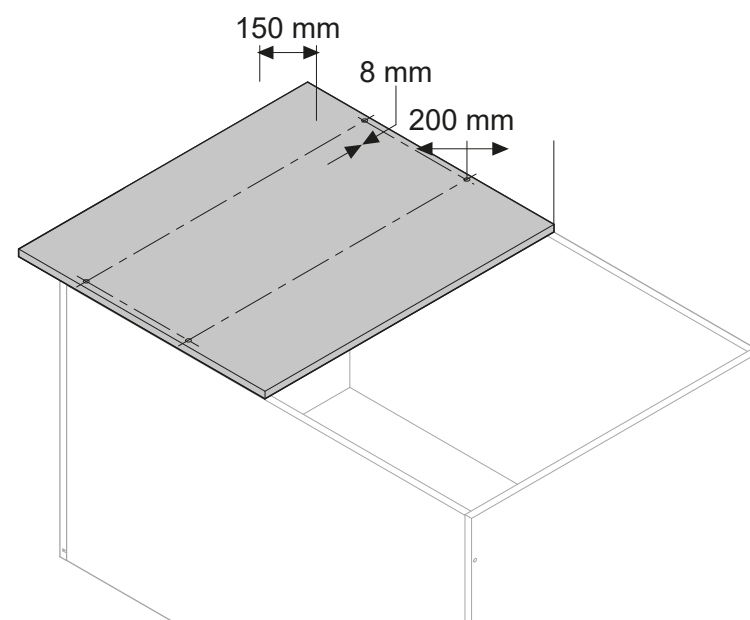
8



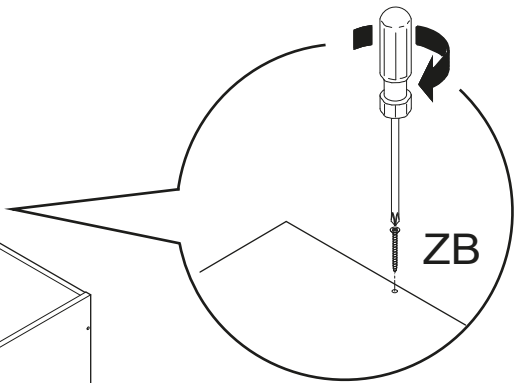
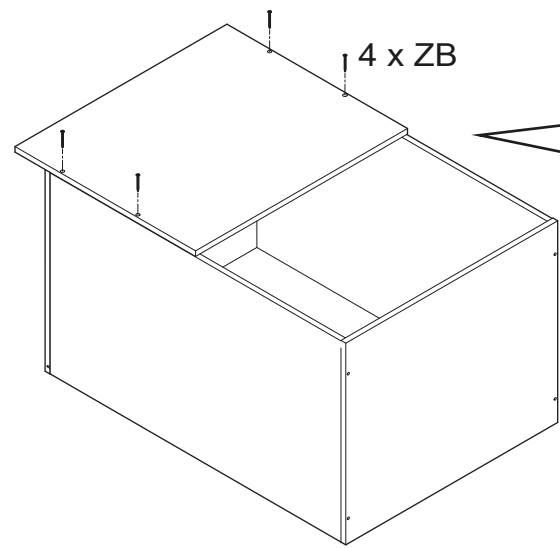
9



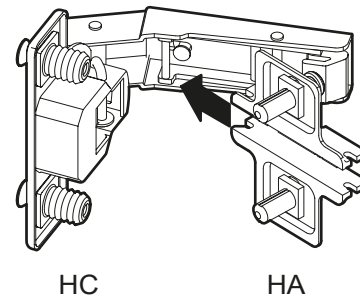
10



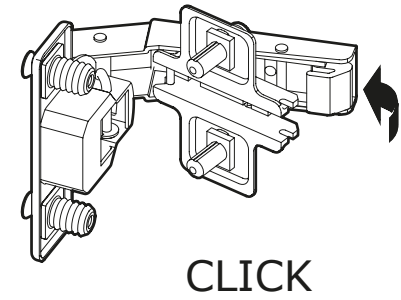
11



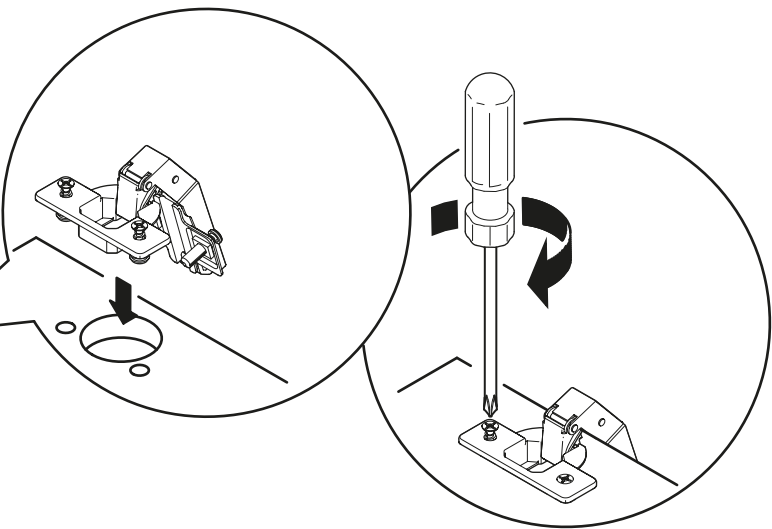
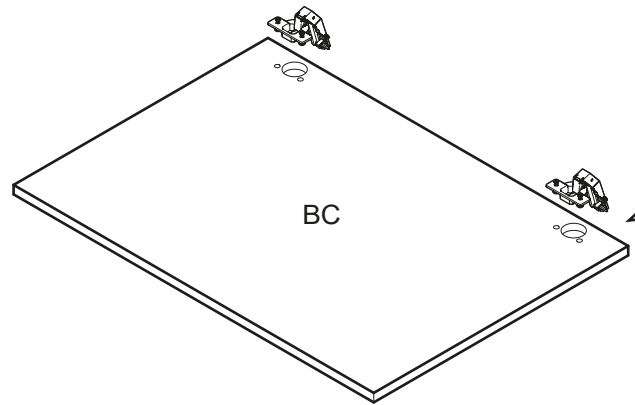
12a



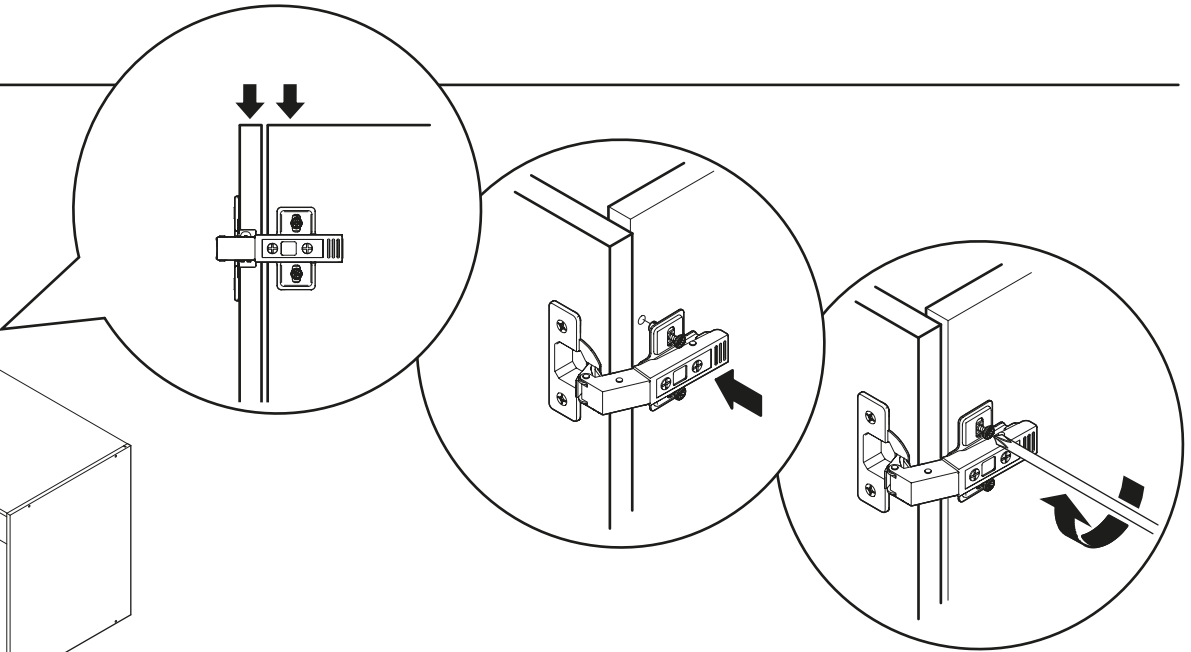
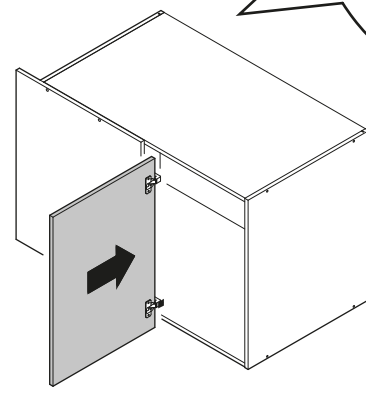
12b



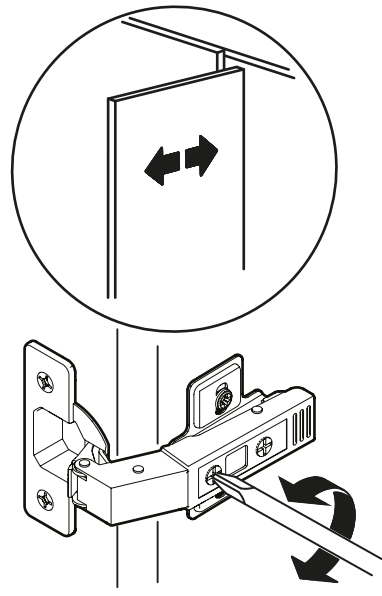
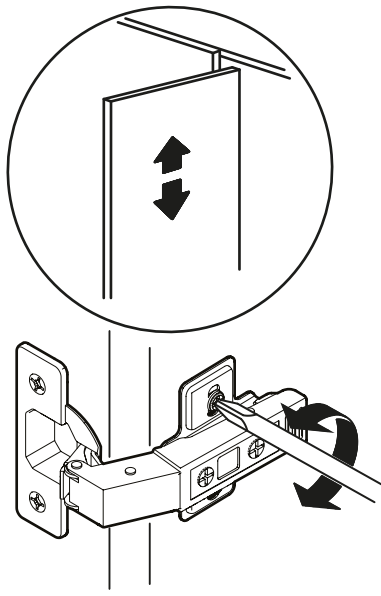
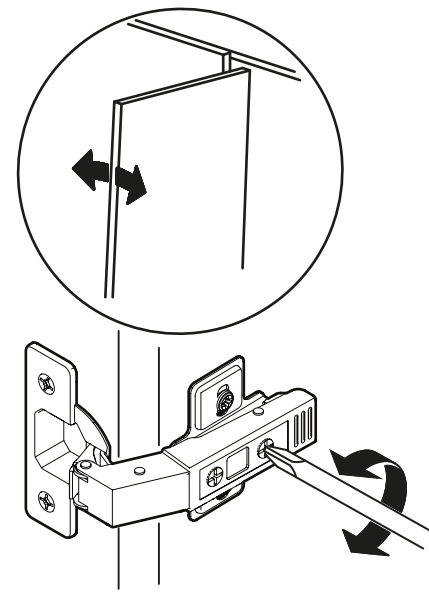
13



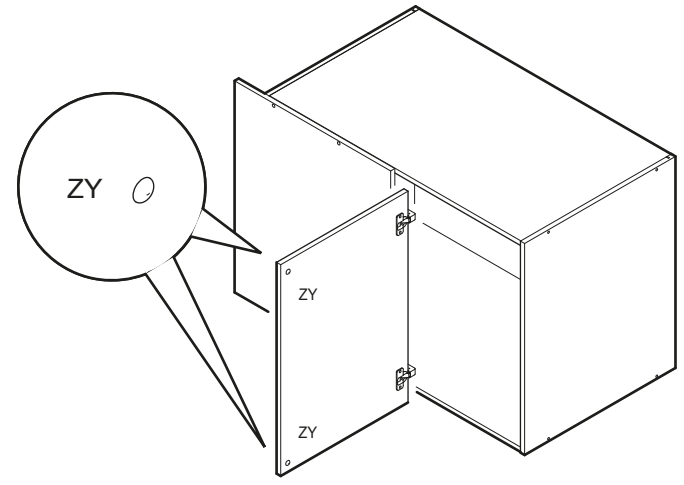
14



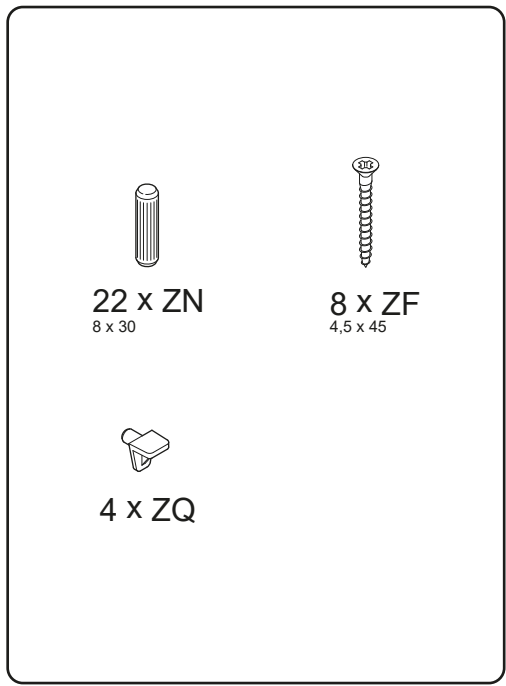
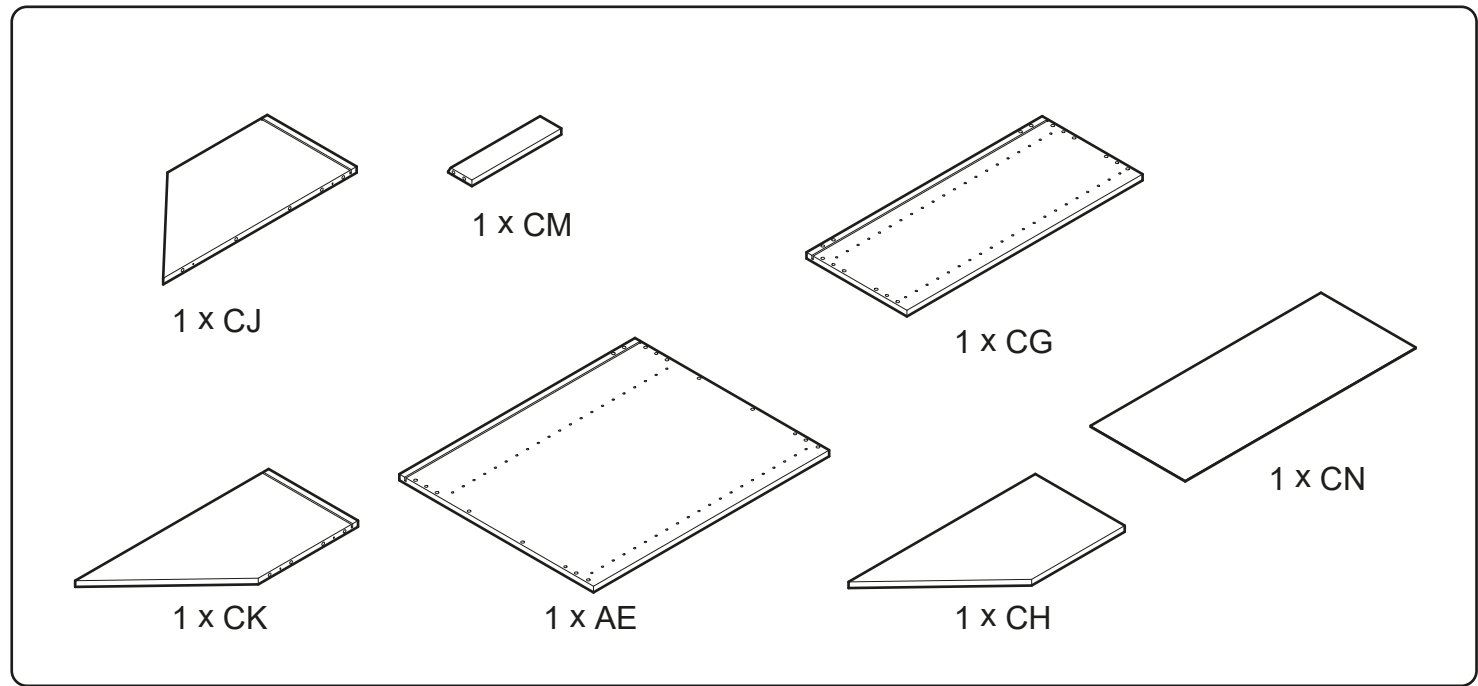
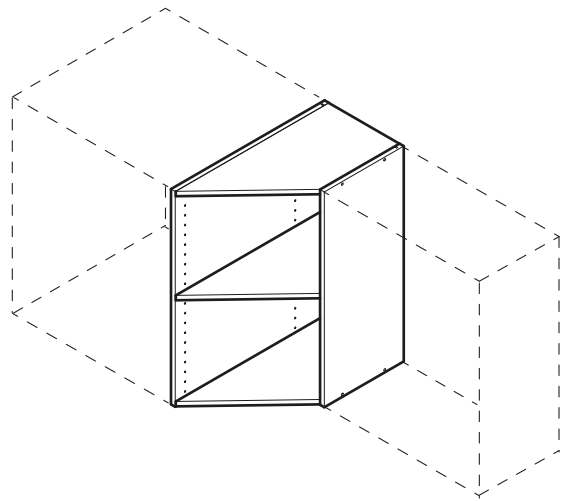
15



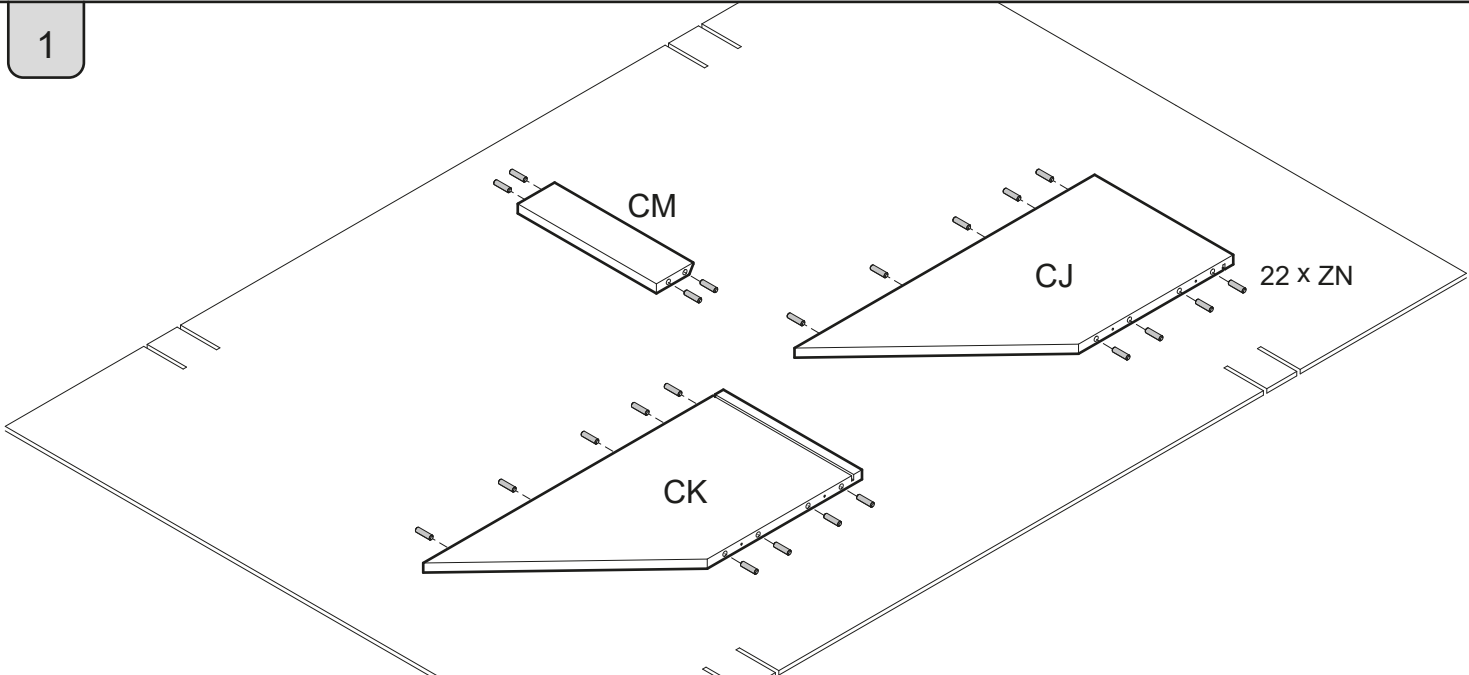
16



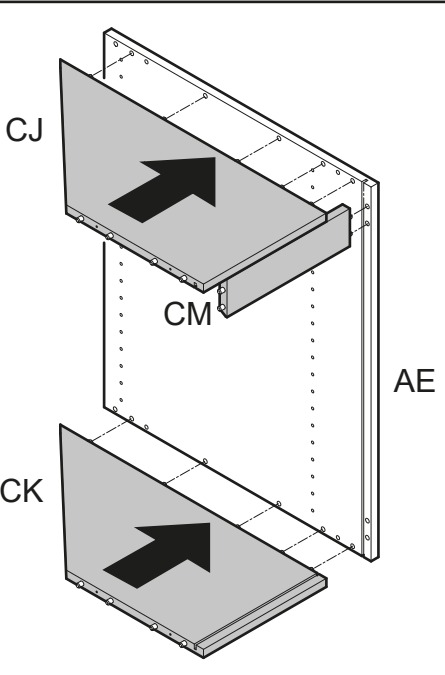
S29  
SV007



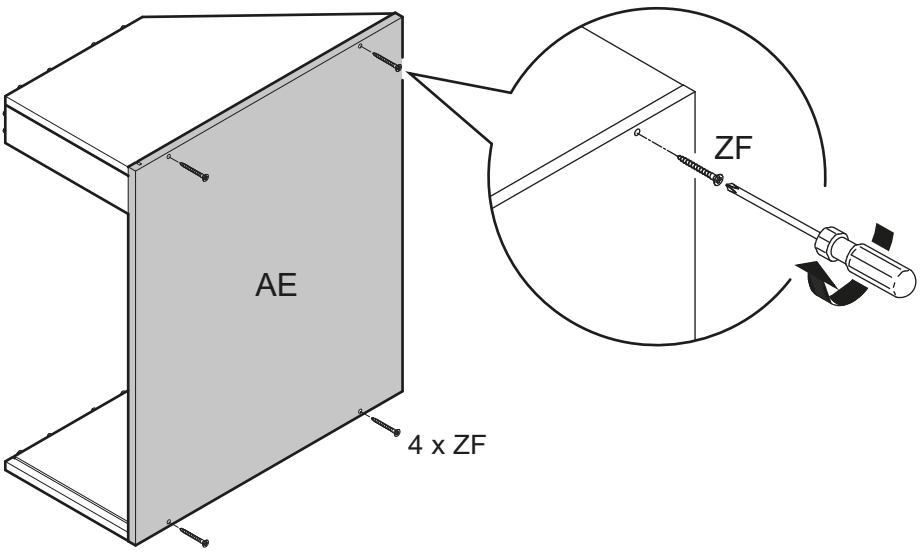
1



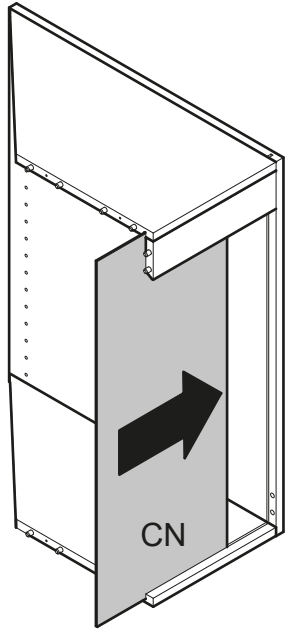
2



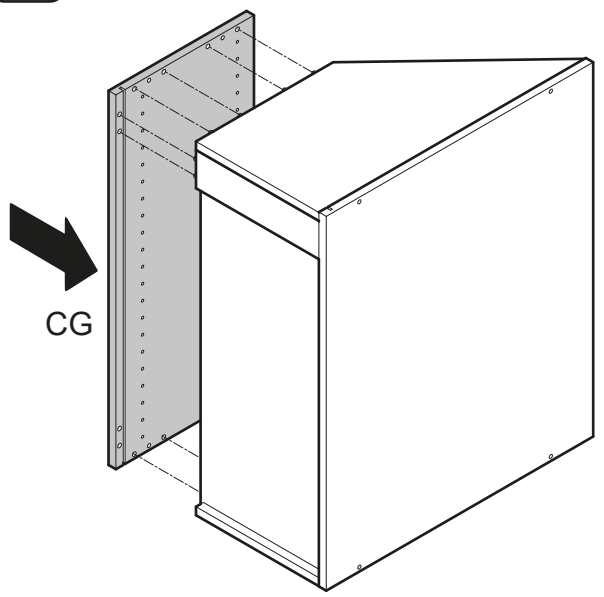
3



4

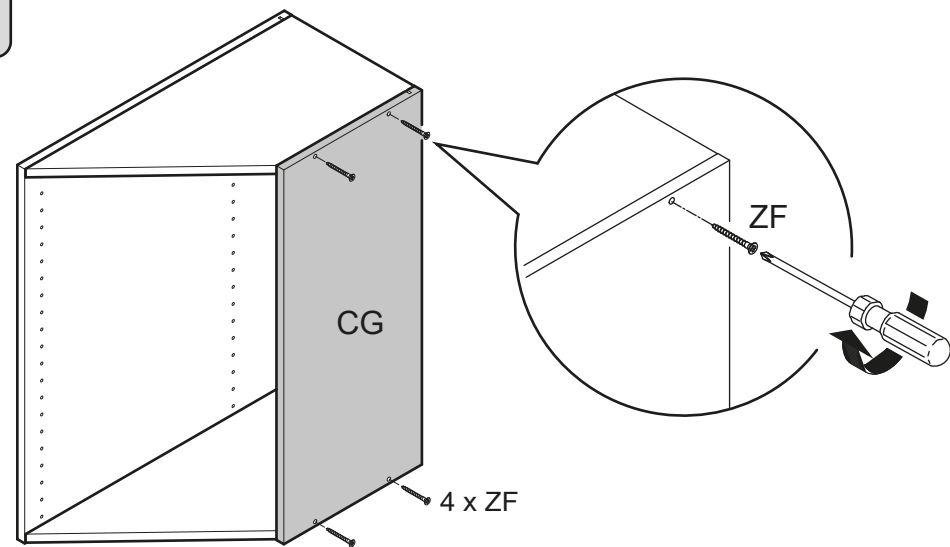


5

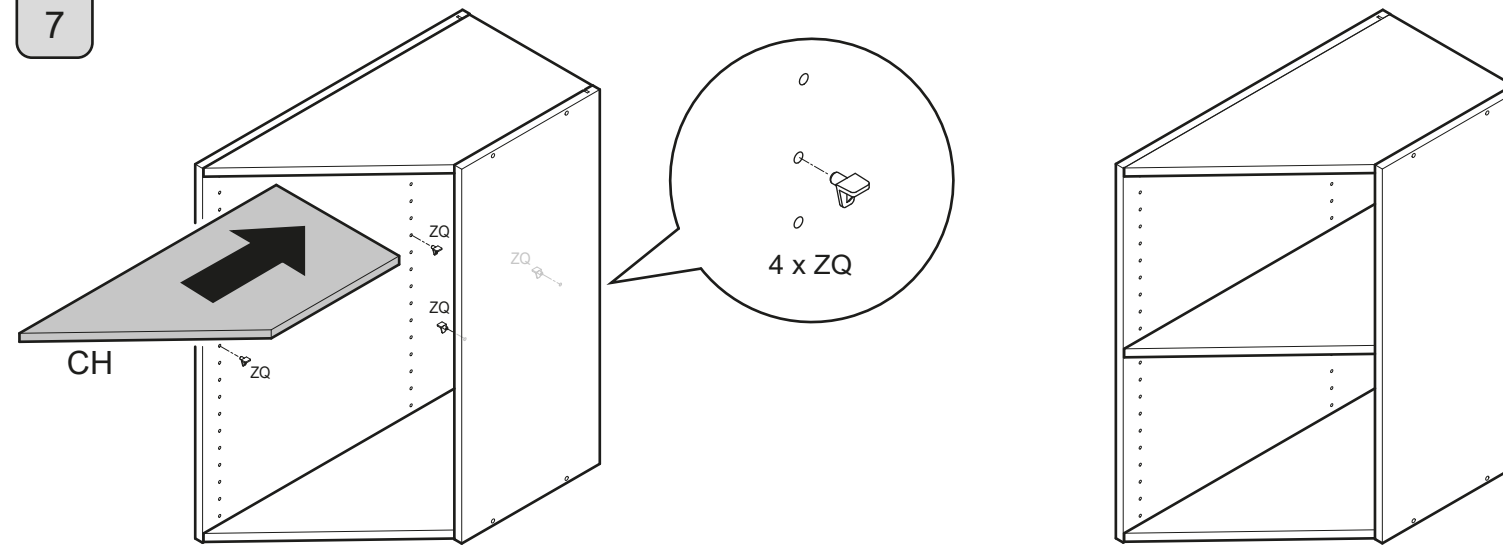


1 / 2 SV007

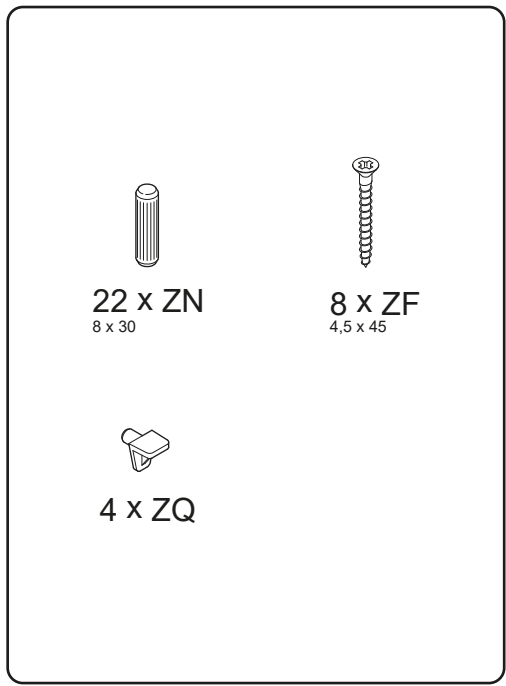
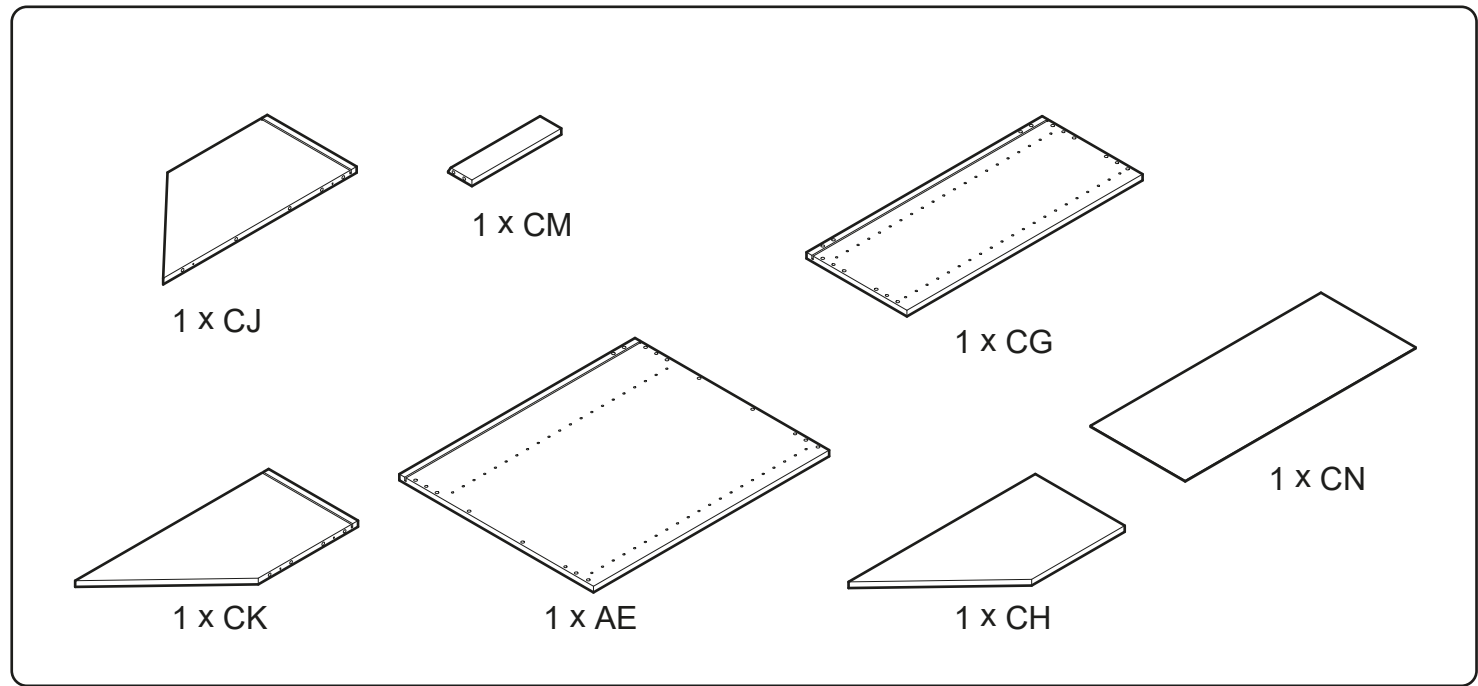
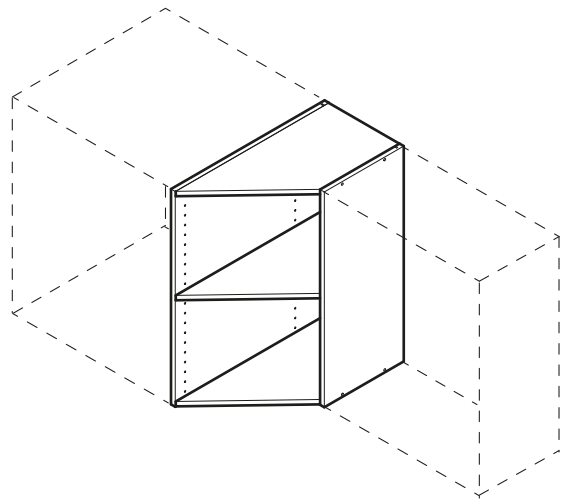
6



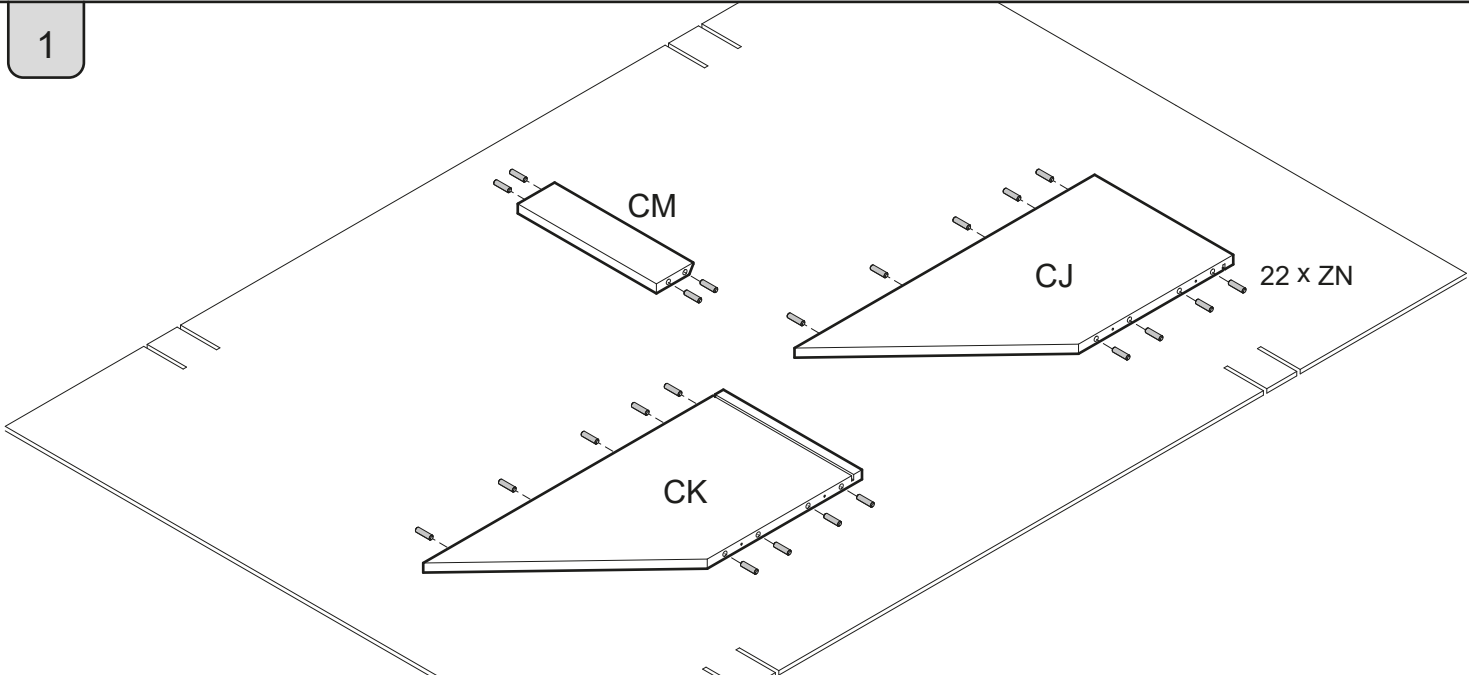
7



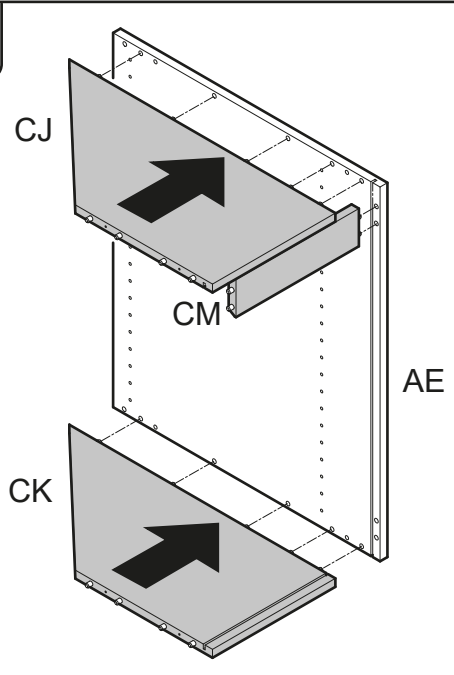
S29  
SV007



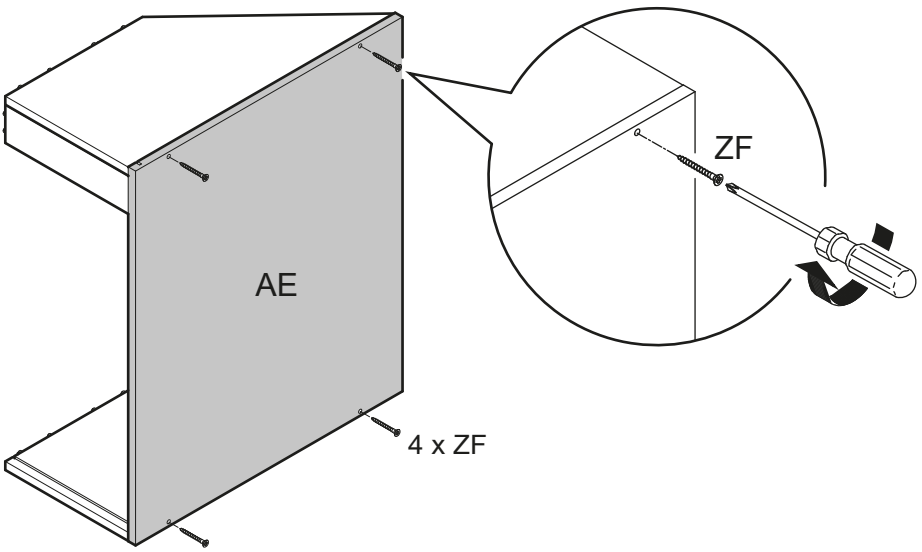
1



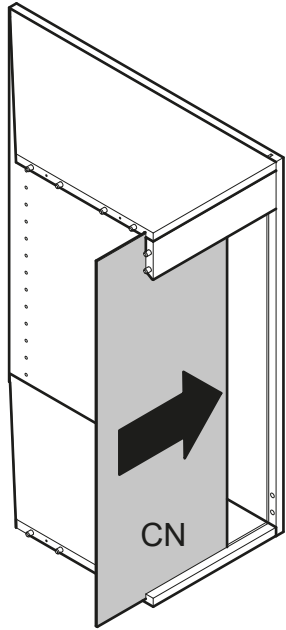
2



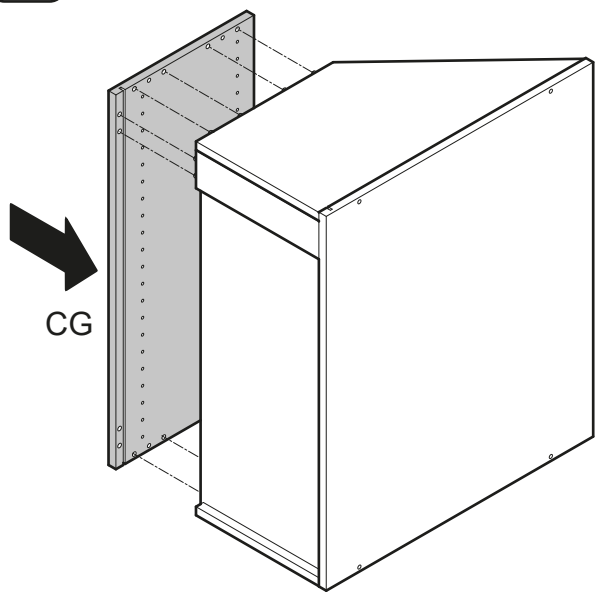
3



4

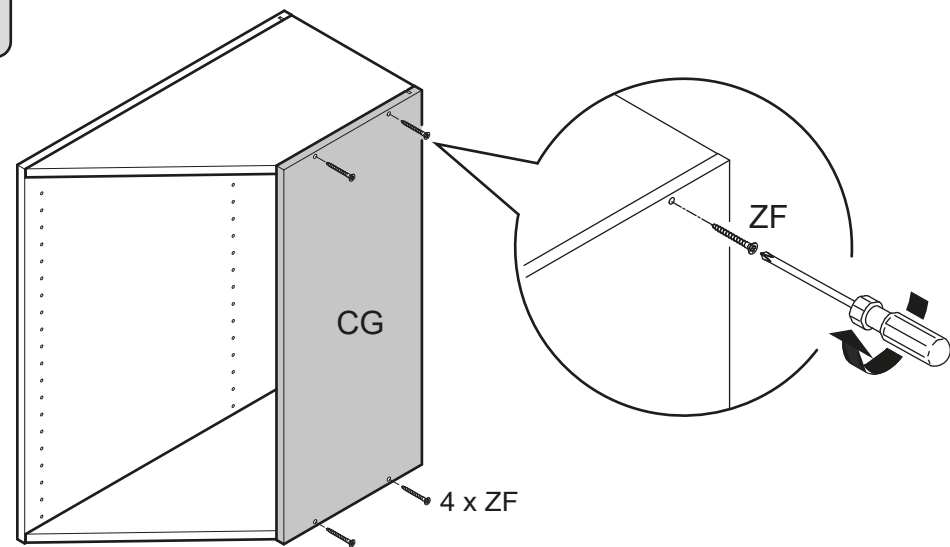


5

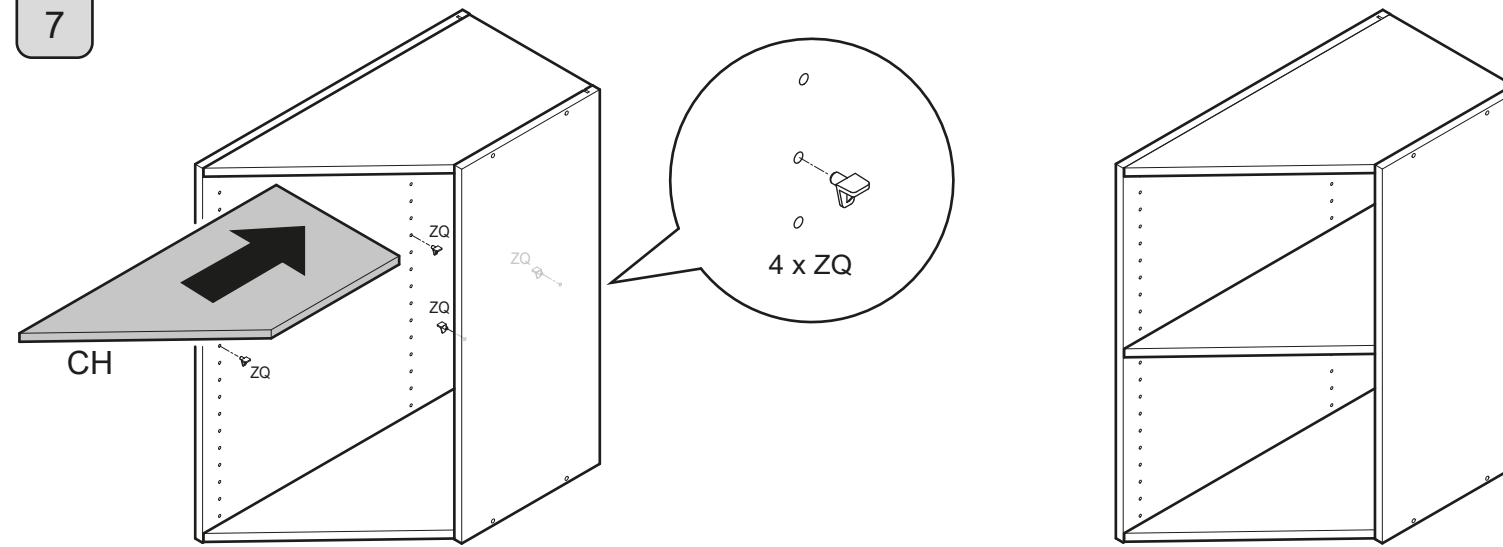


1 / 2 SV007

6



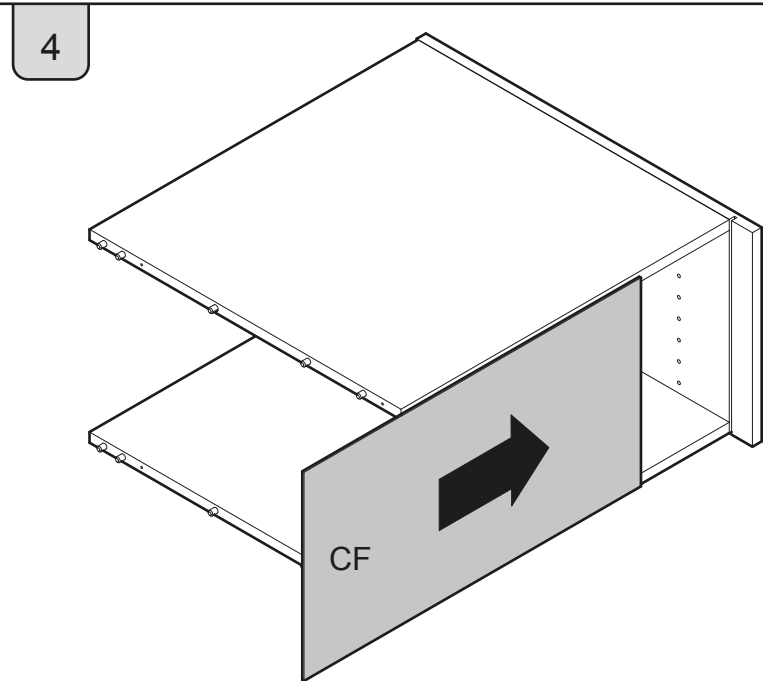
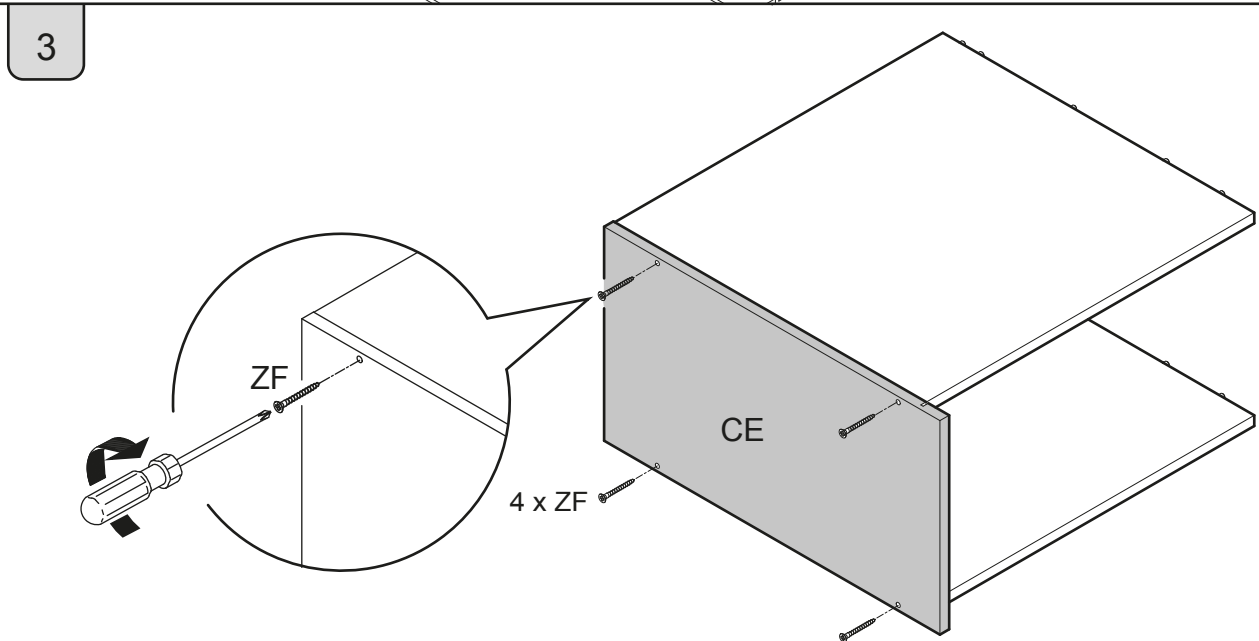
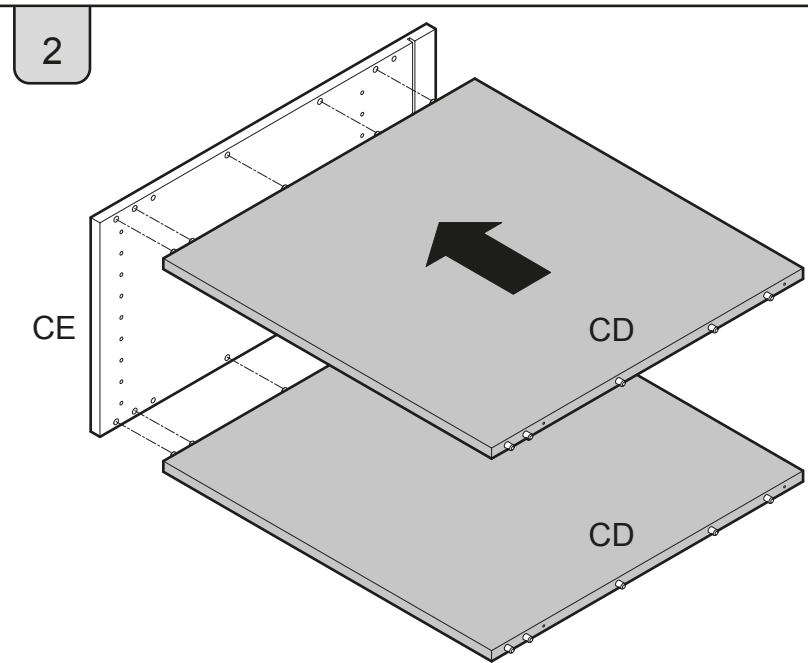
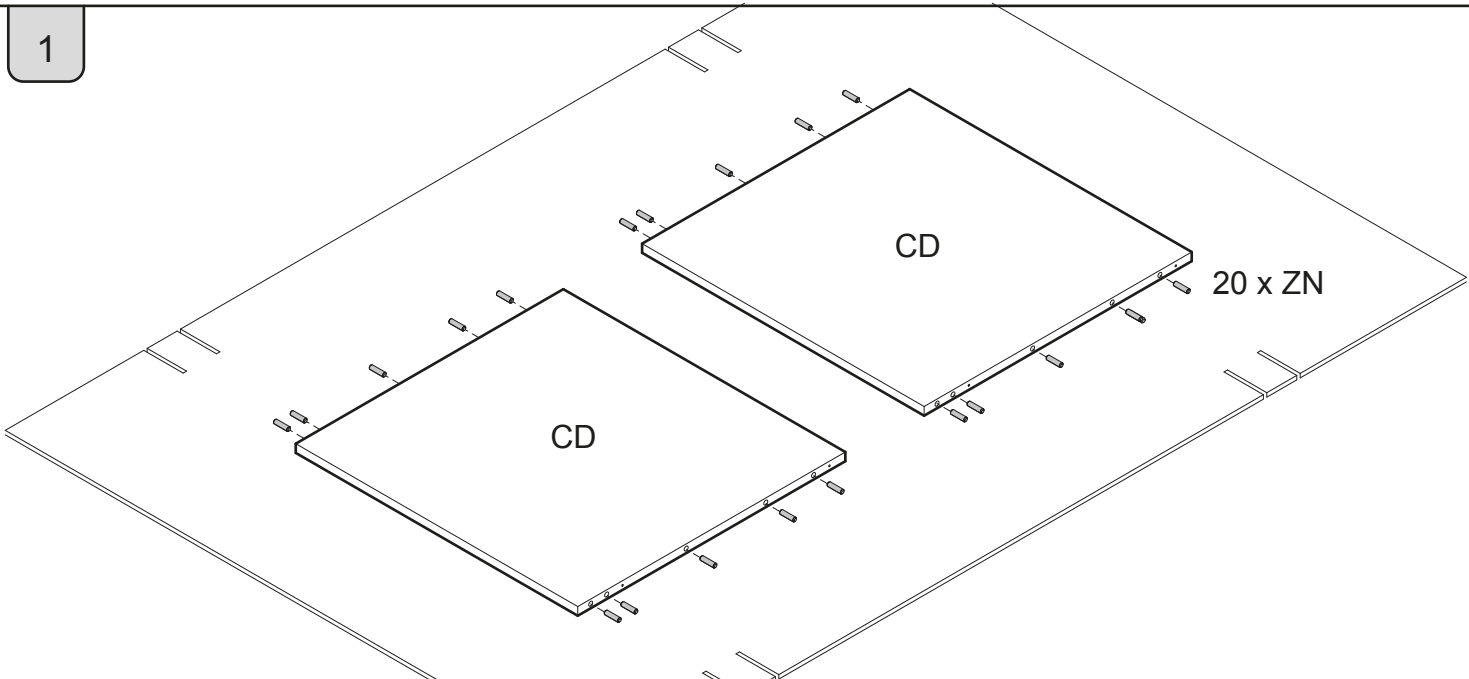
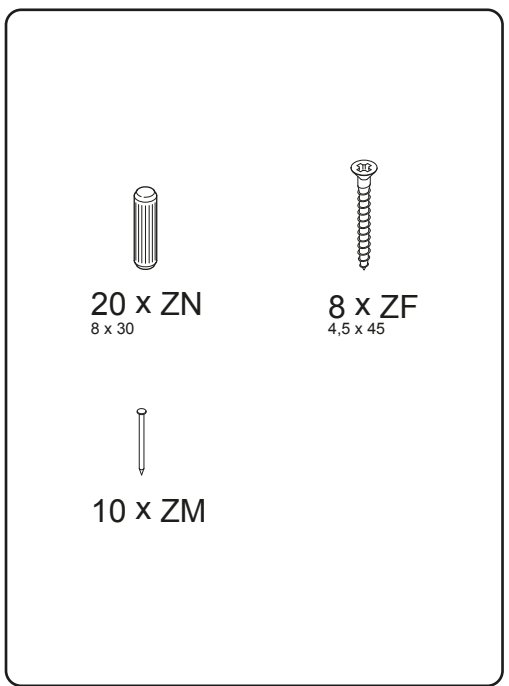
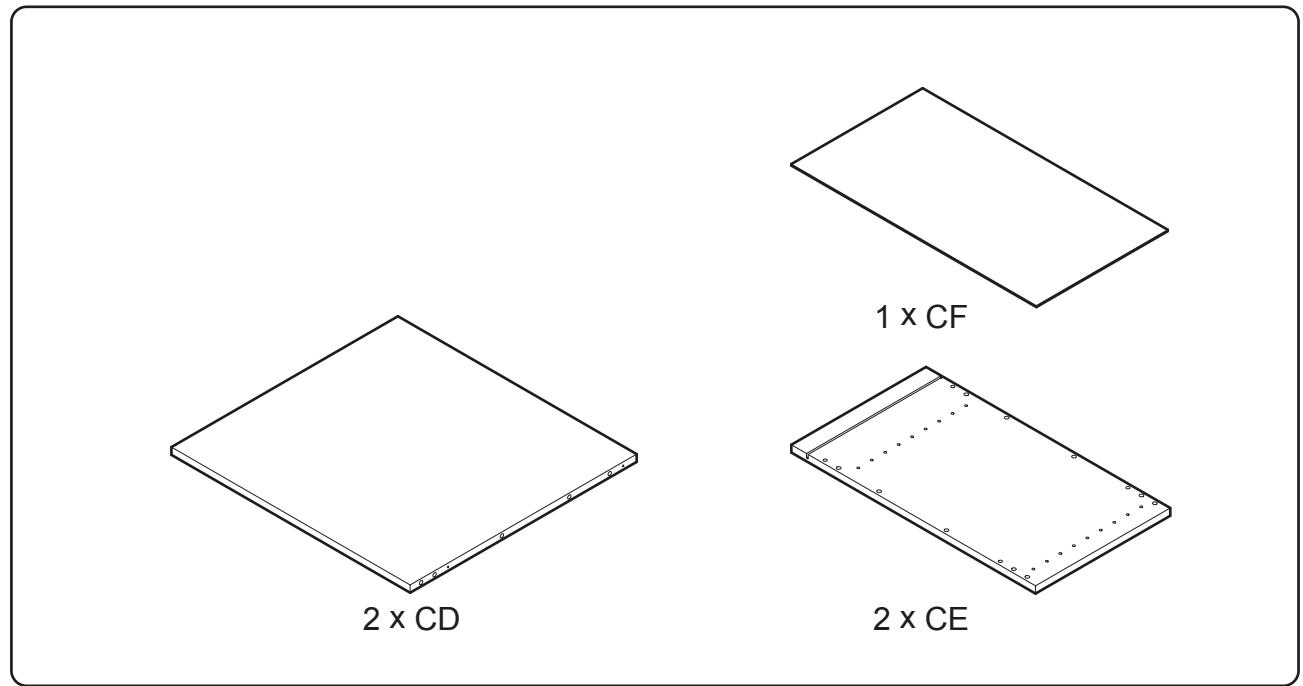
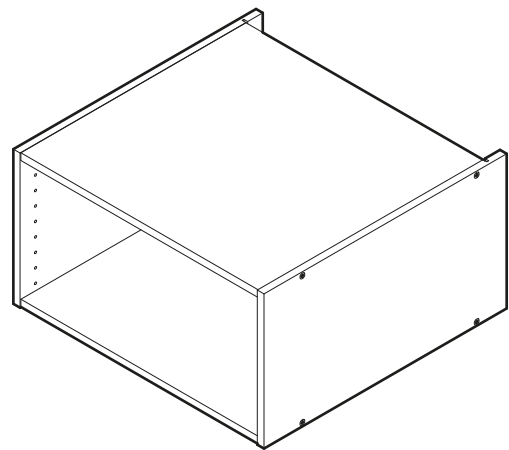
7



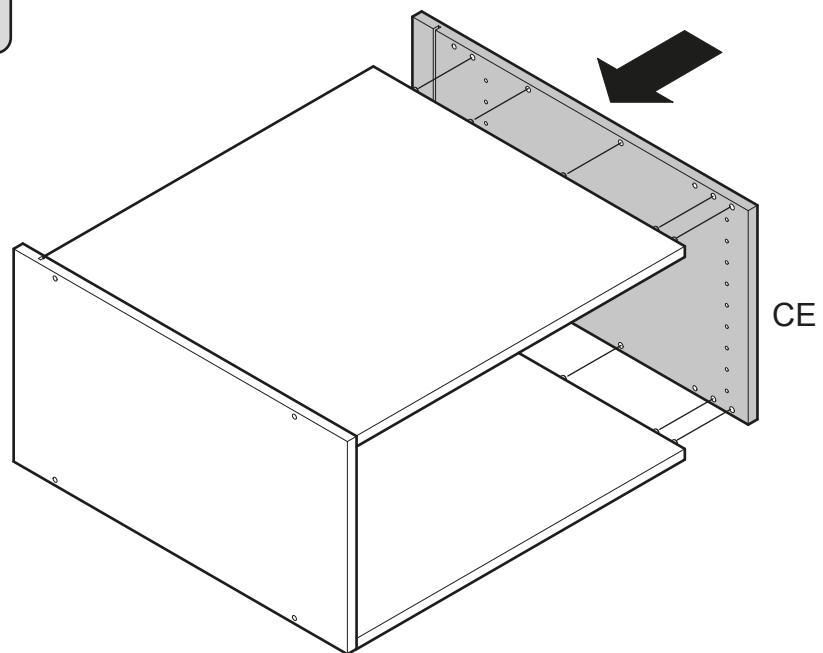


T264  
T265  
T266  
T324  
T325  
T326  
T354  
T355  
T356  
T456

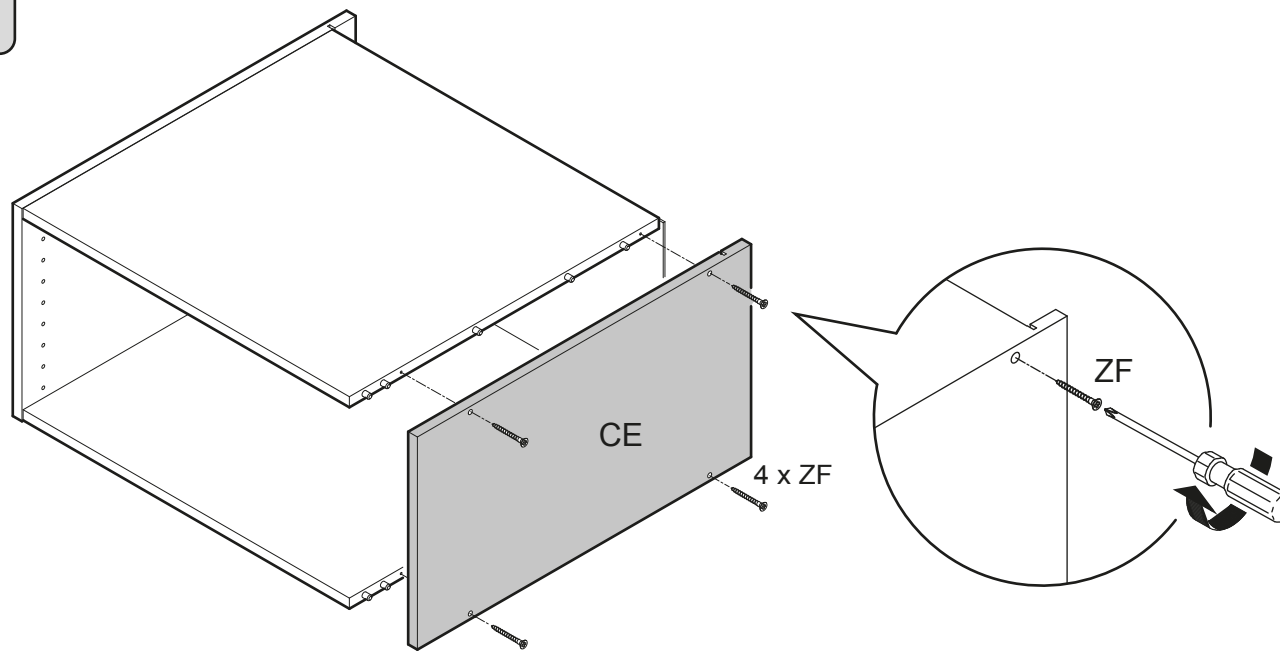
SV009



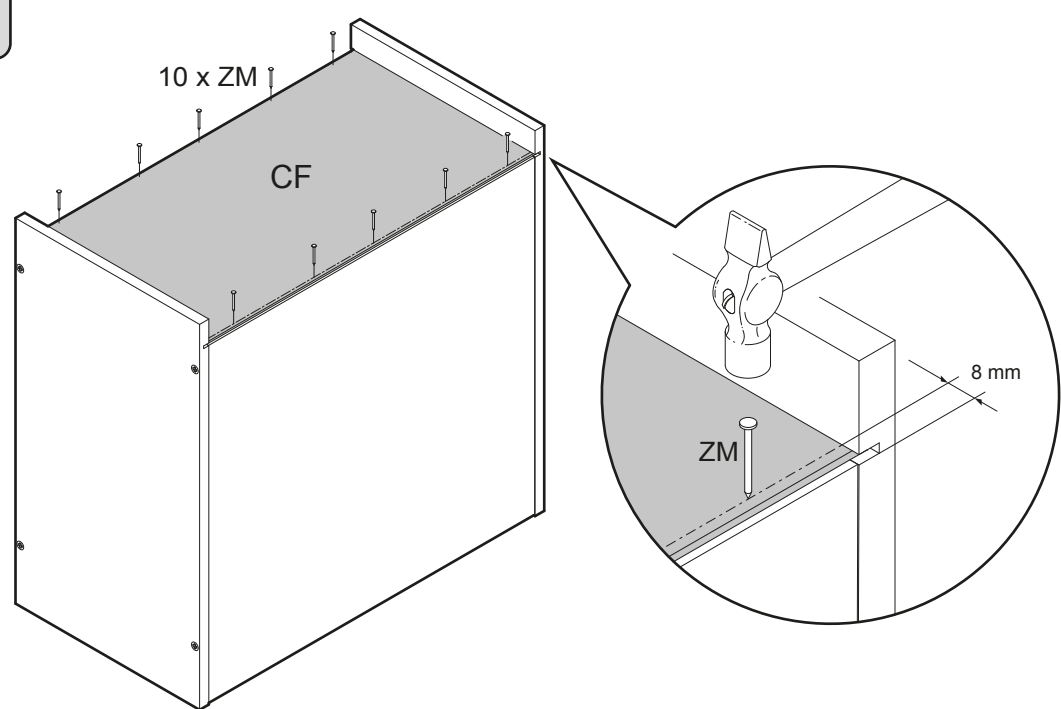
5



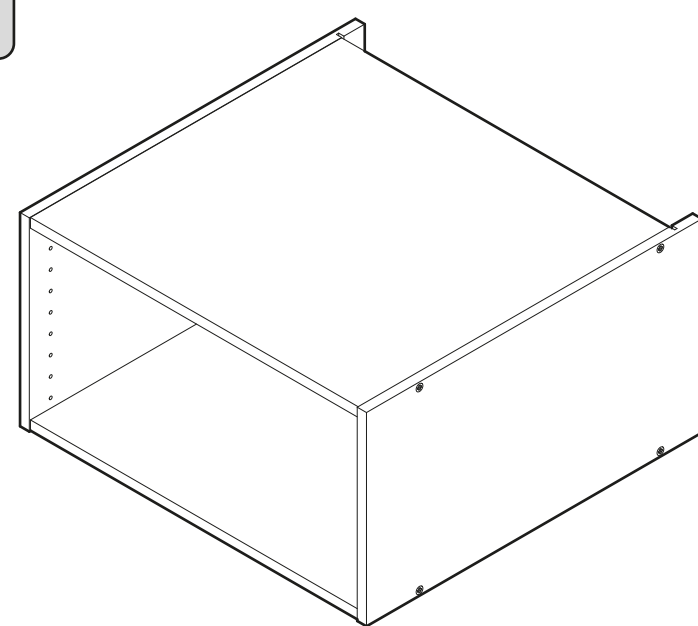
6



7

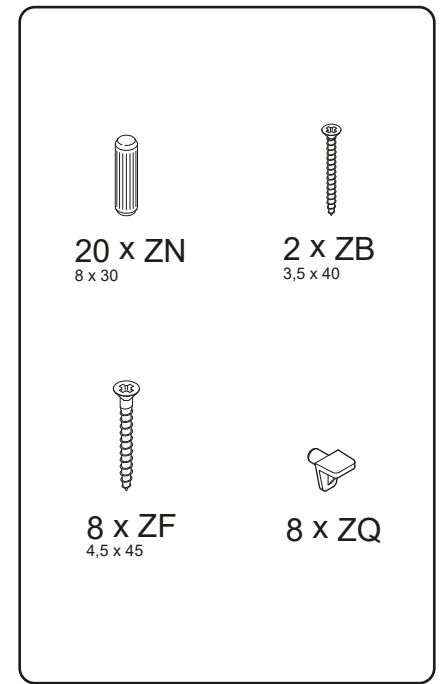
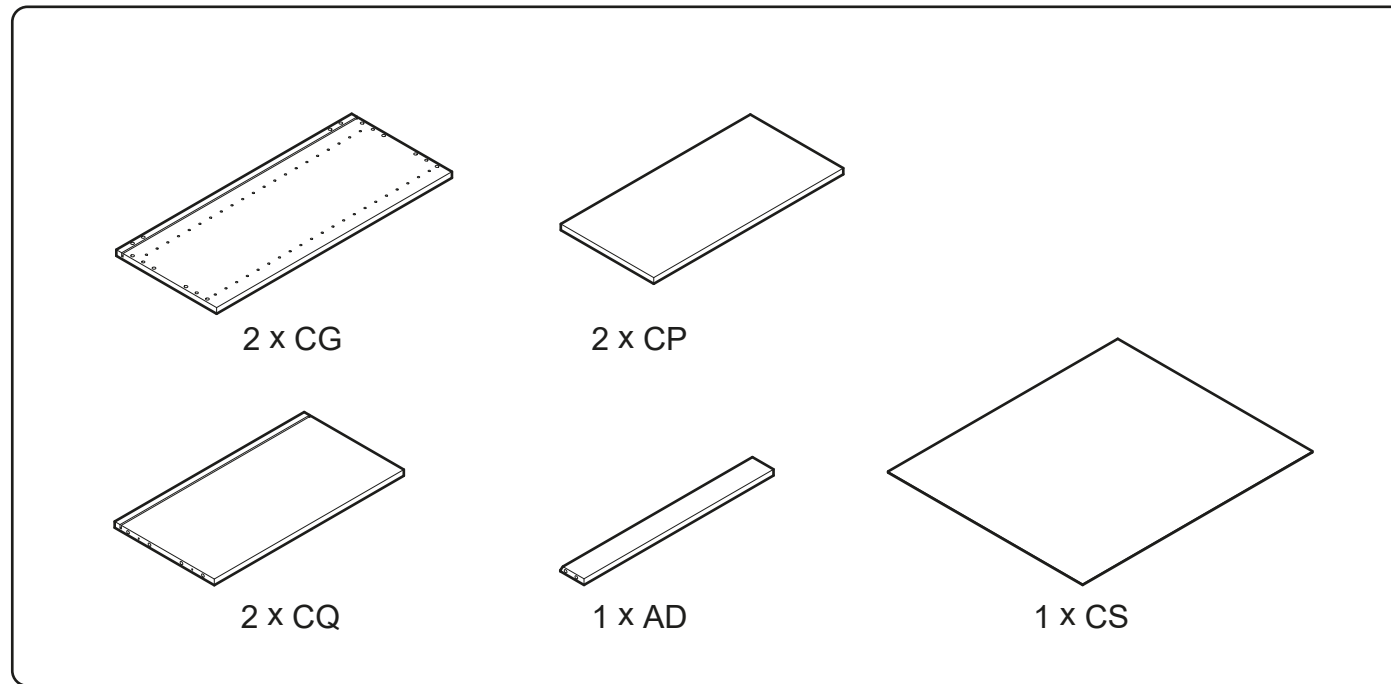
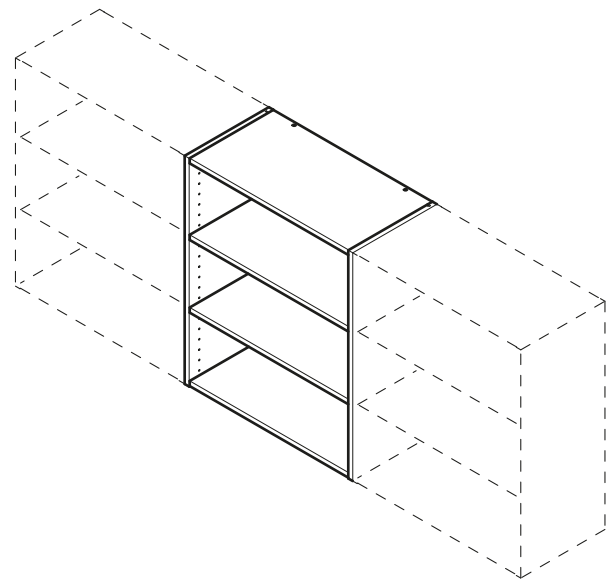


7

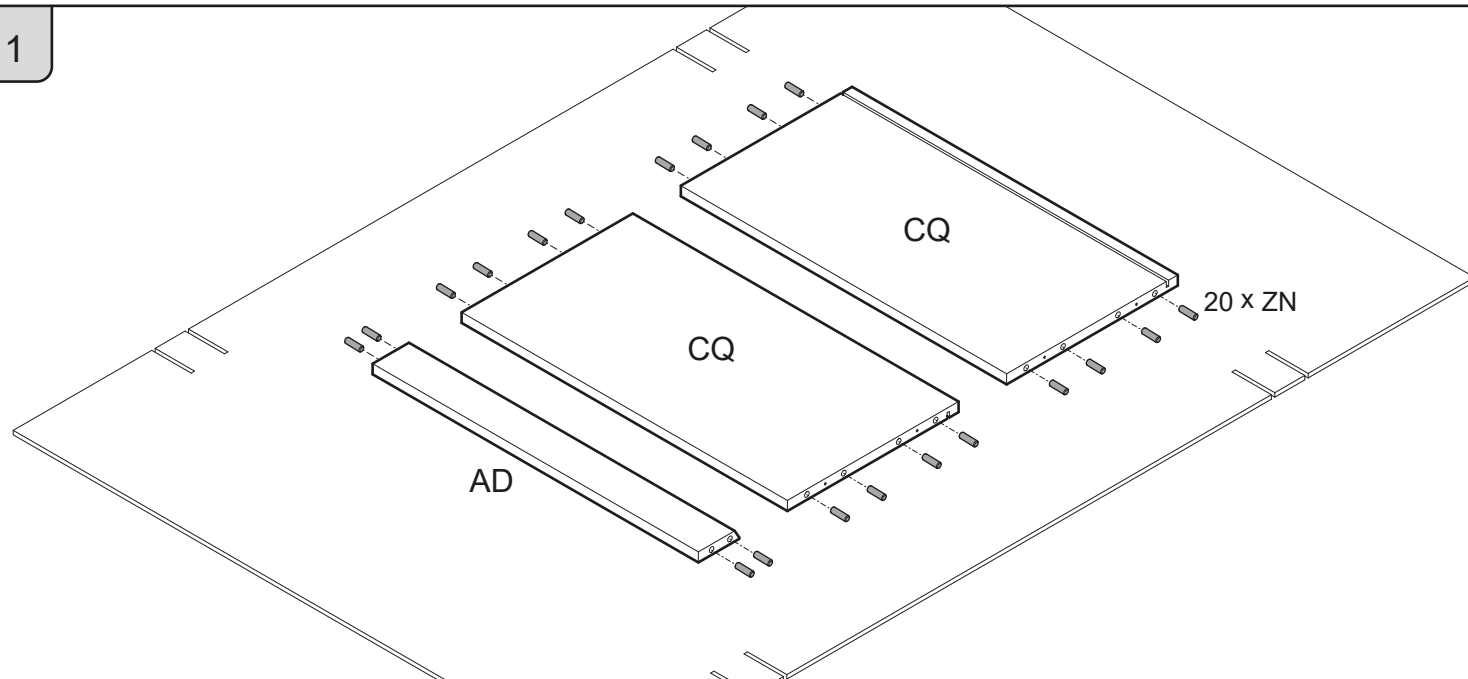


O20  
 O30  
 O40  
 O50  
 O80  
 O100  
 OH930  
 OH940  
 OH950  
 OH980  
 LO30  
 LO40  
 LO50  
 LO60  
 LO80  
 LO100

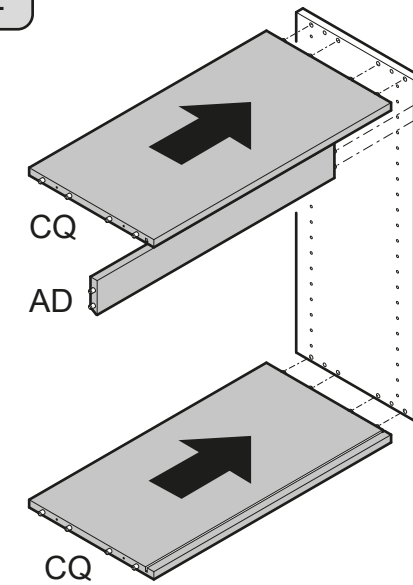
SV010



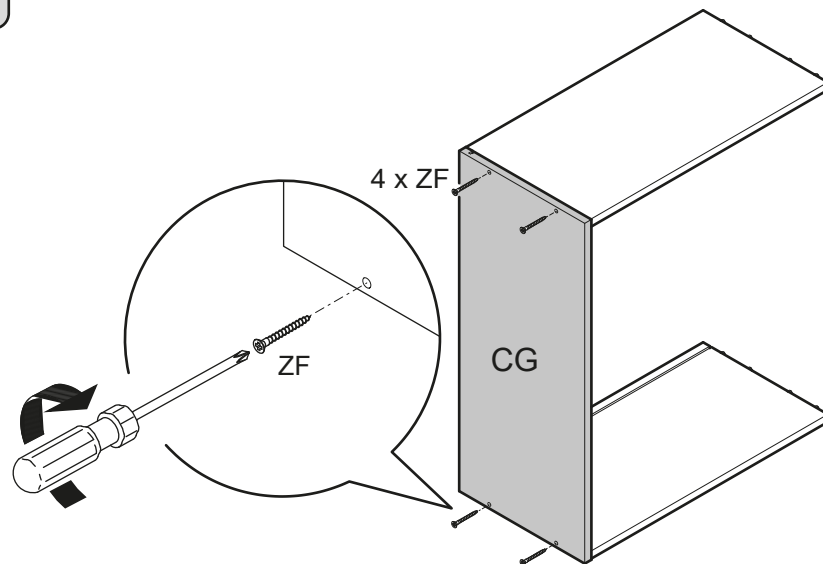
1



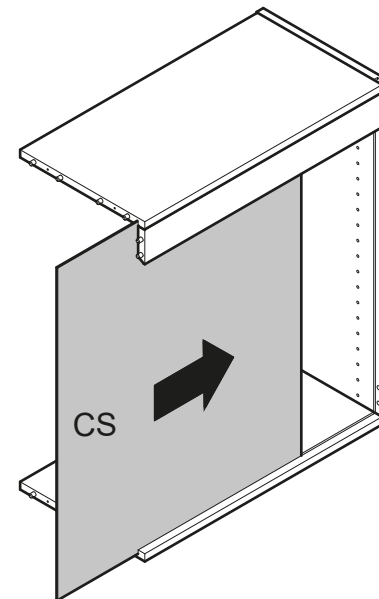
2



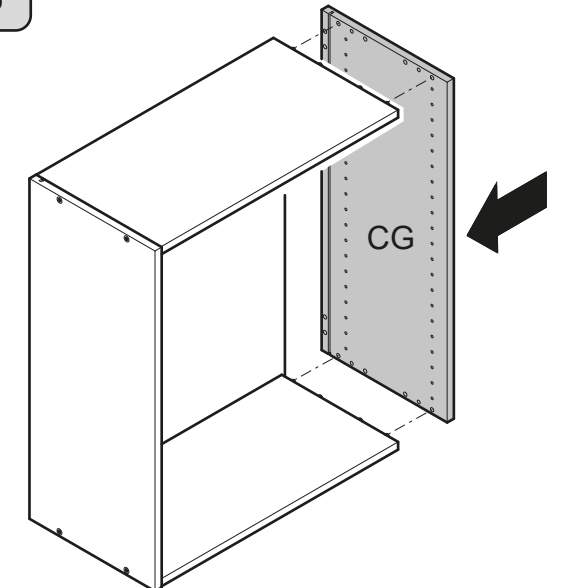
3



4

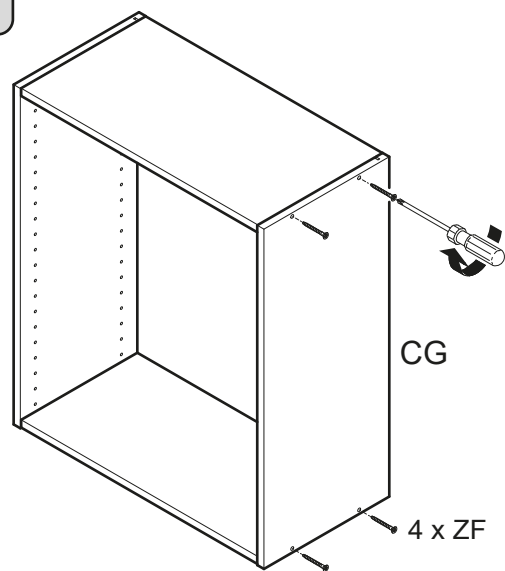


5

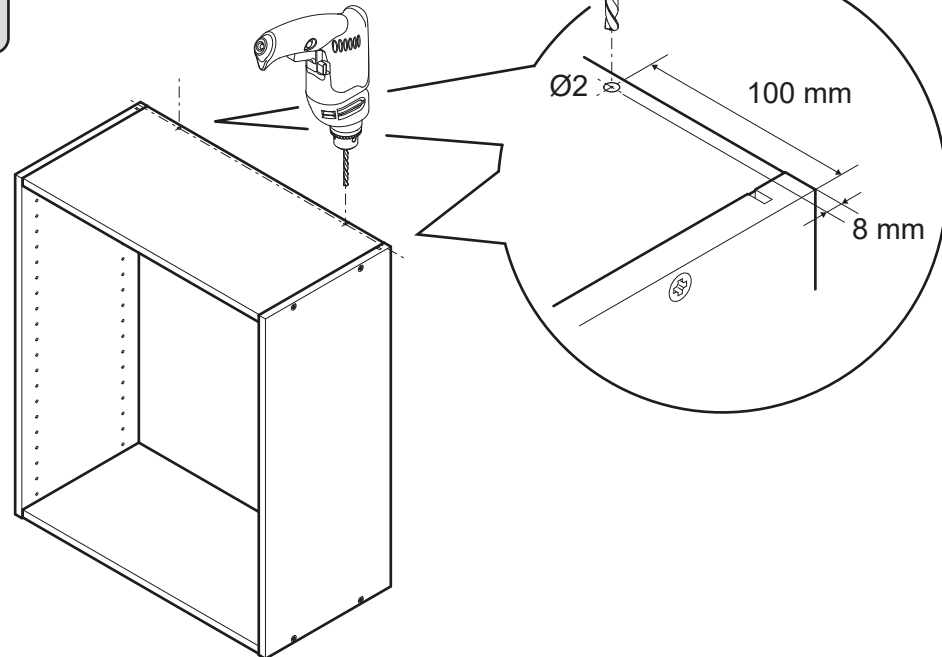


1 / 2 SV010

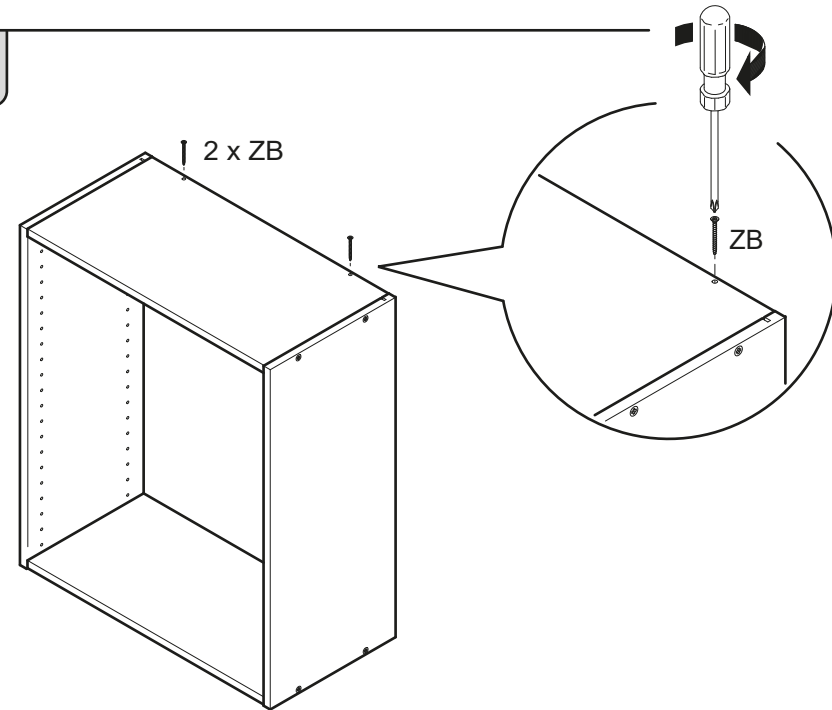
6



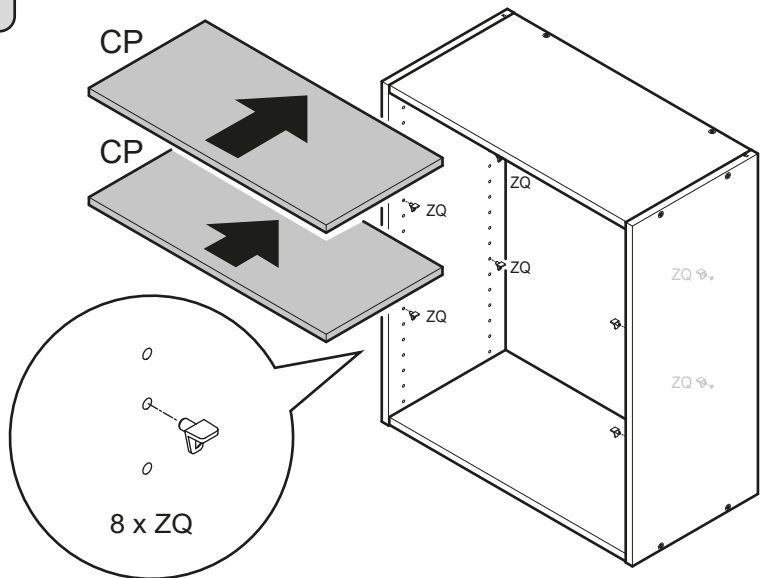
7



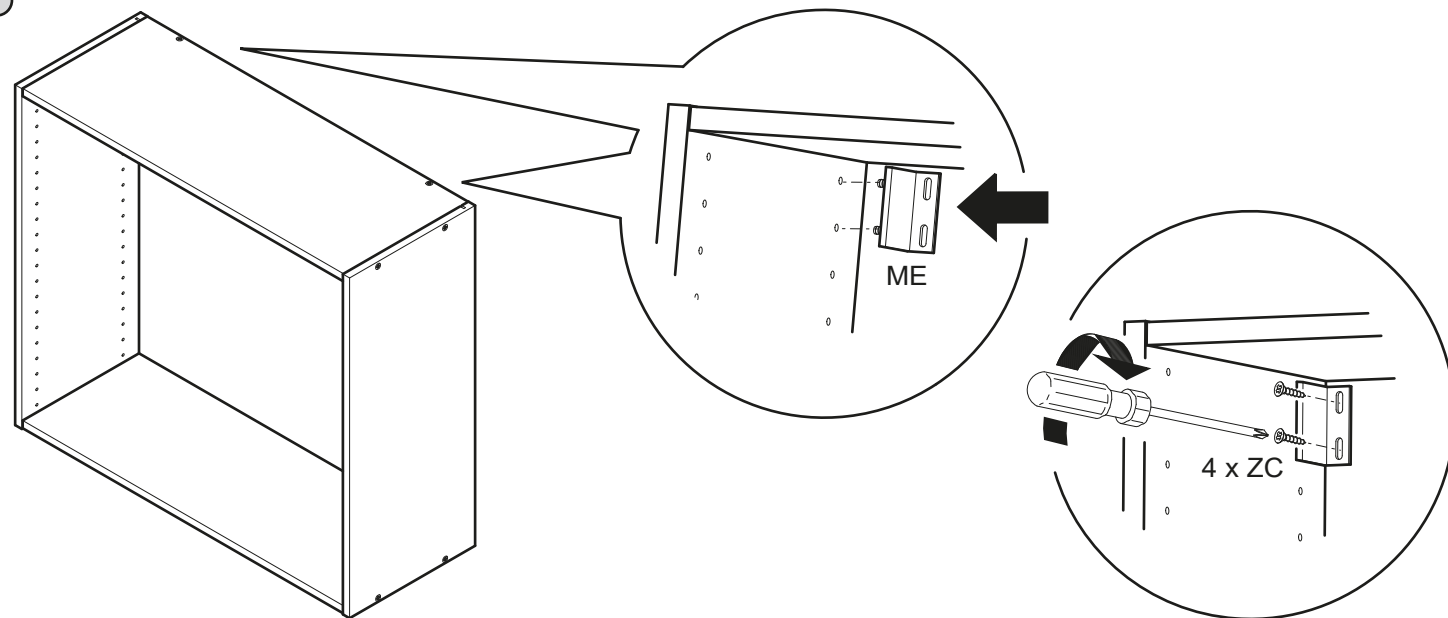
8



9



10



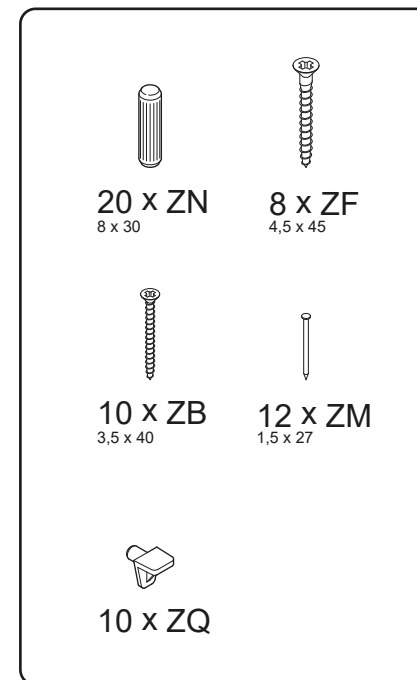
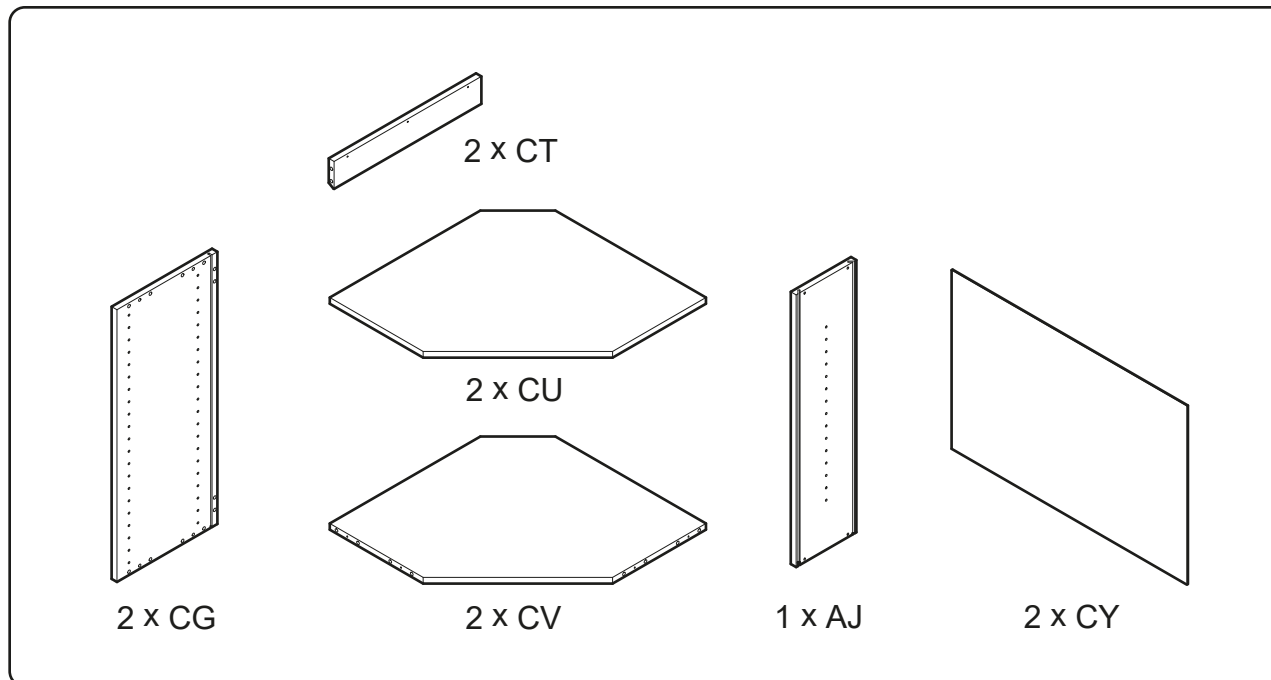
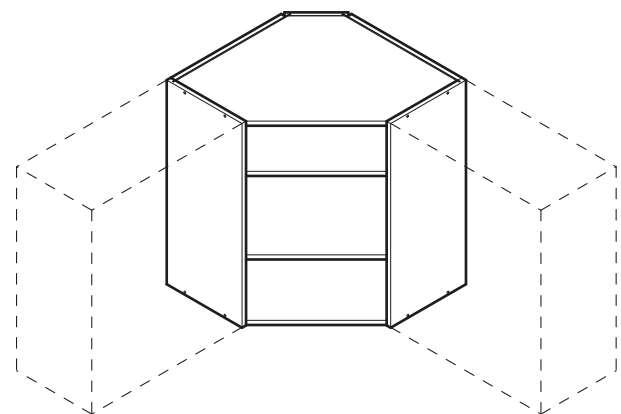
O80  
 O100  
 OH930  
 OH940  
 OH950  
 OH980  
 LO80  
 LO100

4 x ZC  
 3,5 x 15

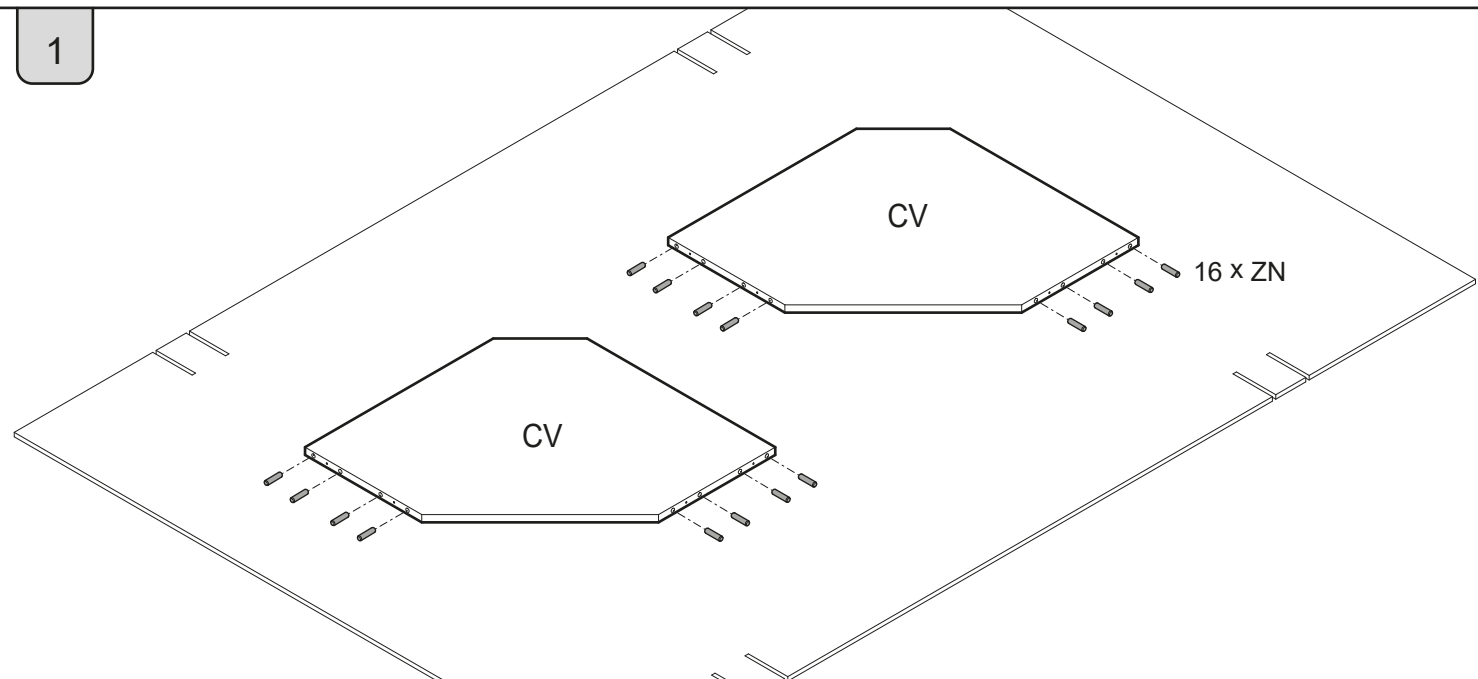
2 x ME

OD6060  
OHD6060

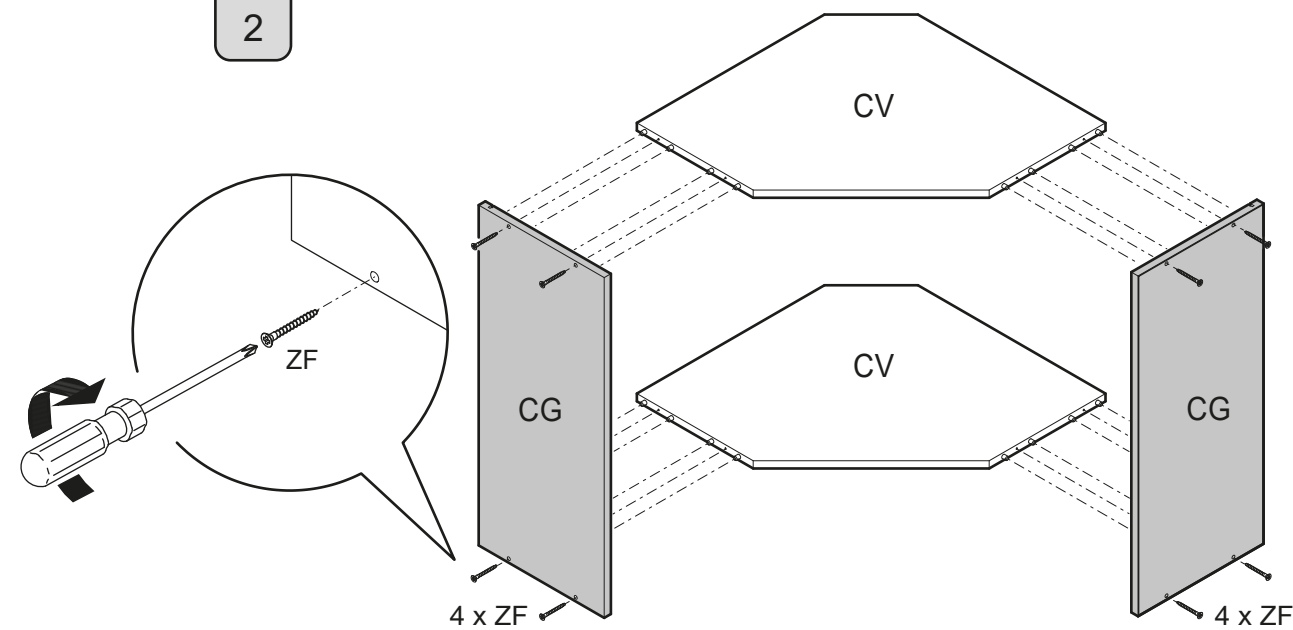
SV011



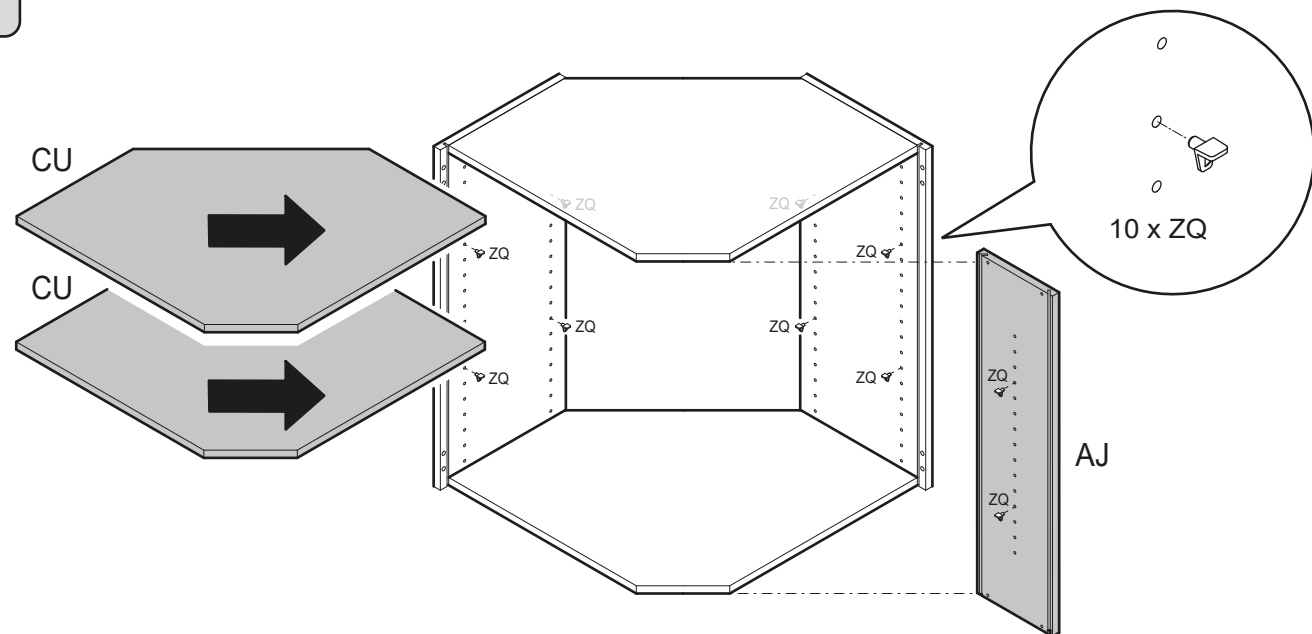
1



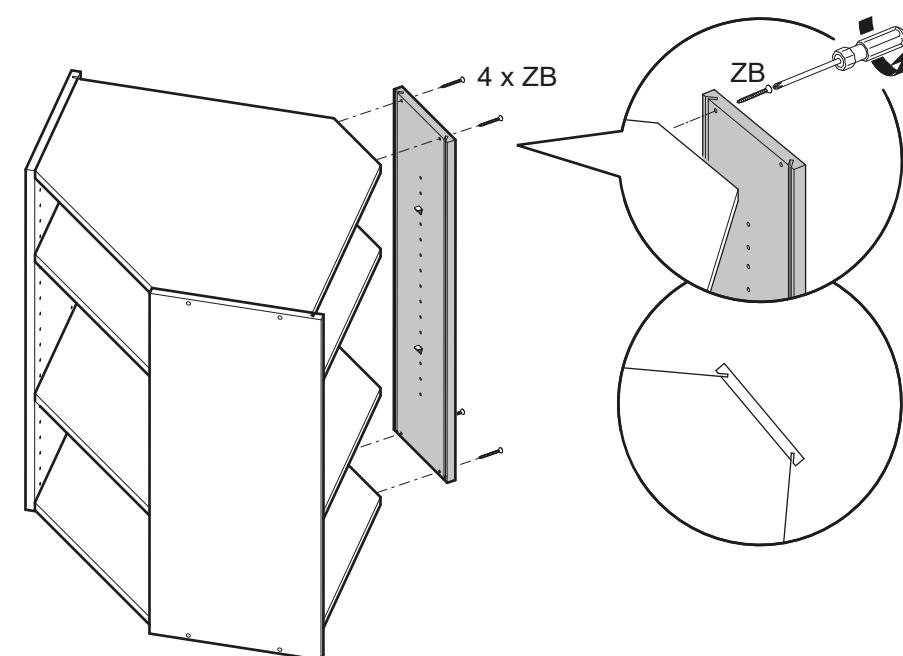
2



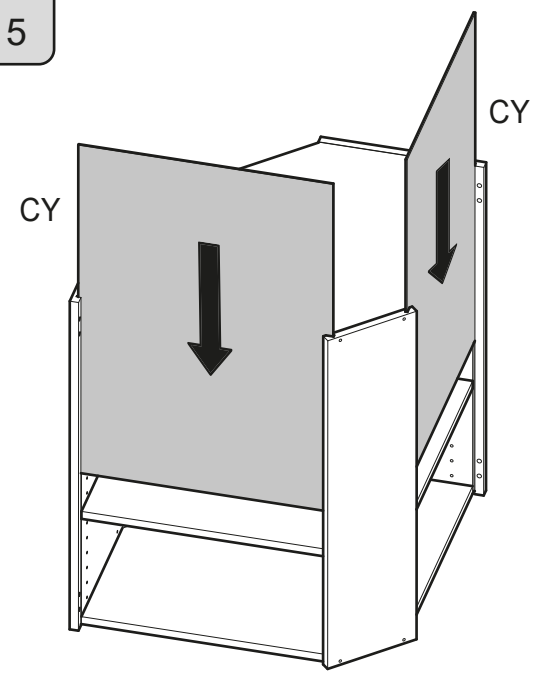
3



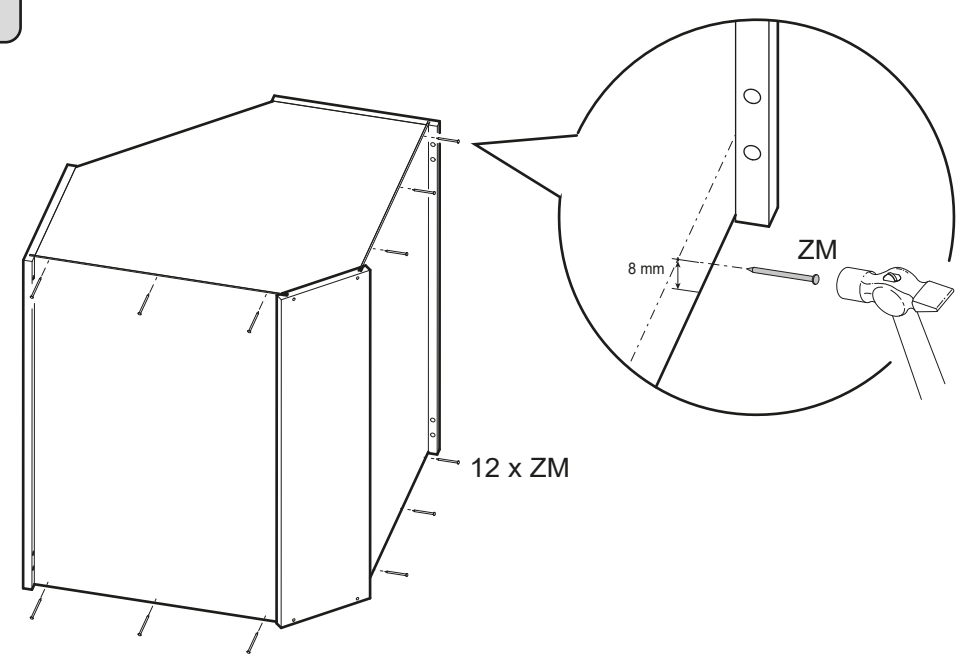
4



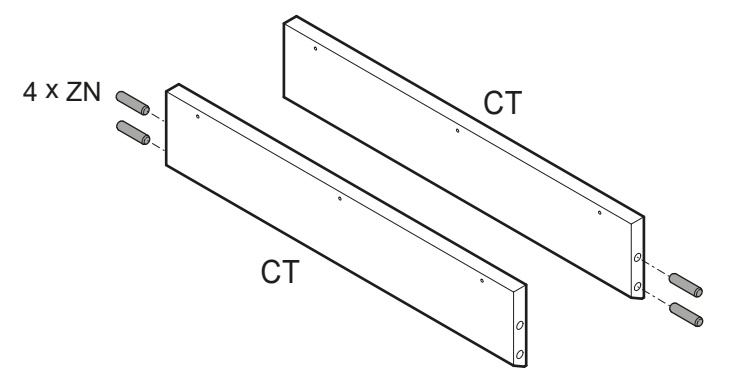
5



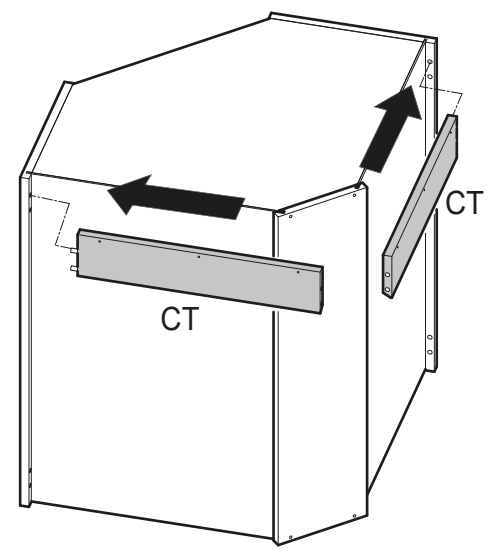
6



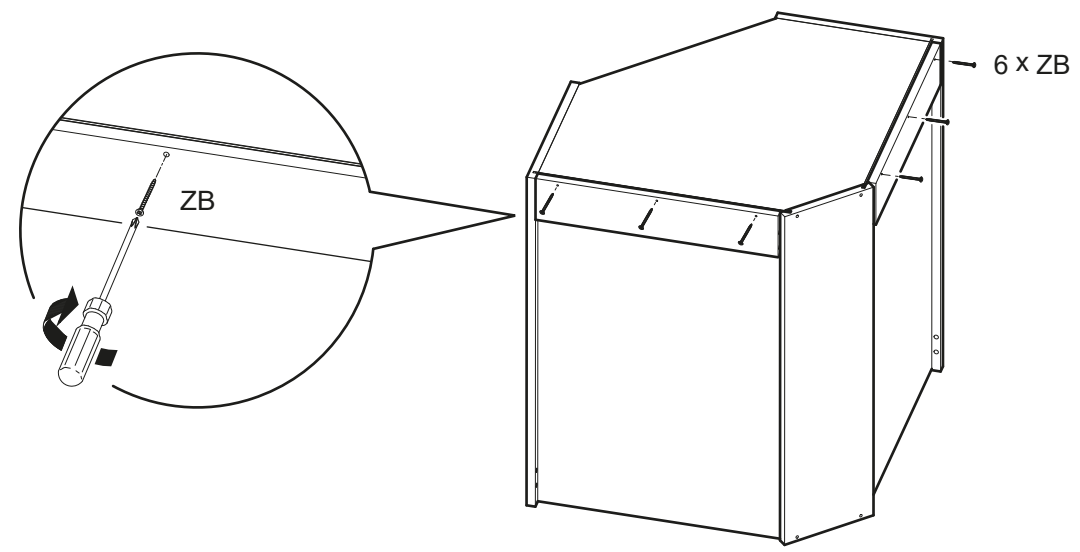
7



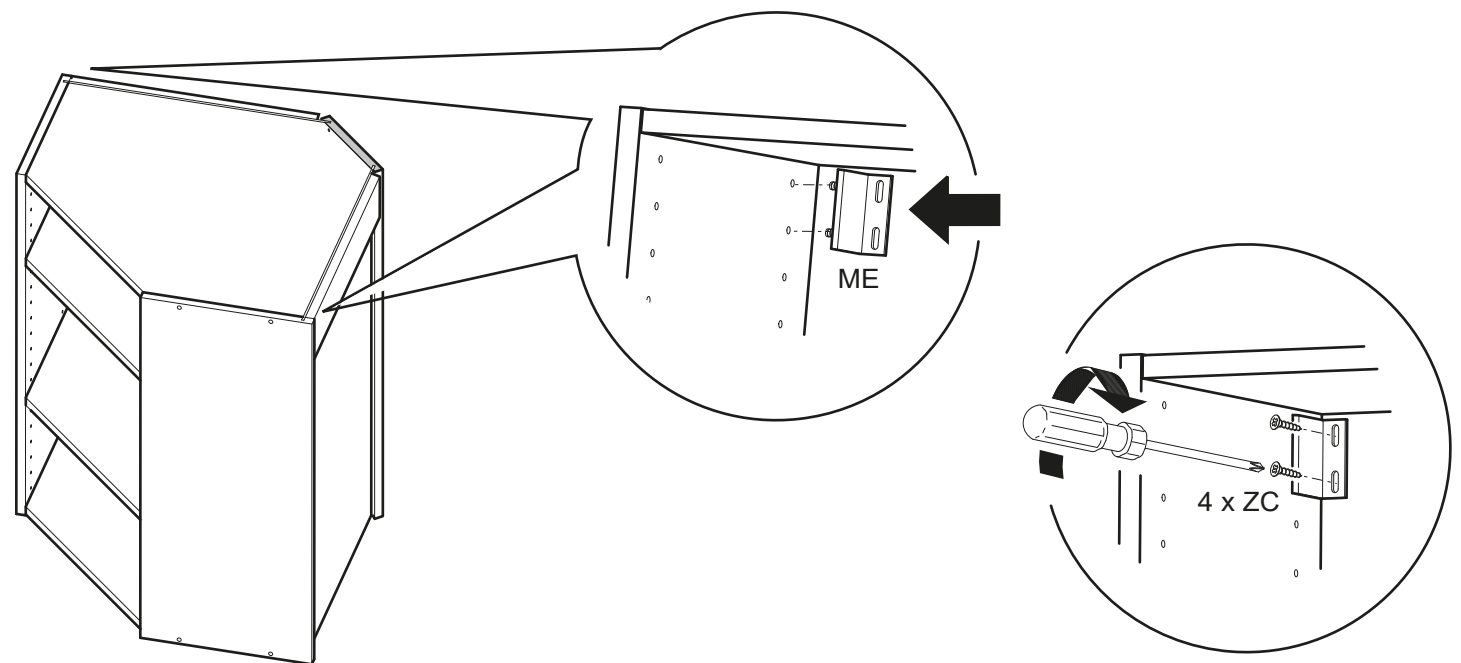
9



10

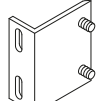


11



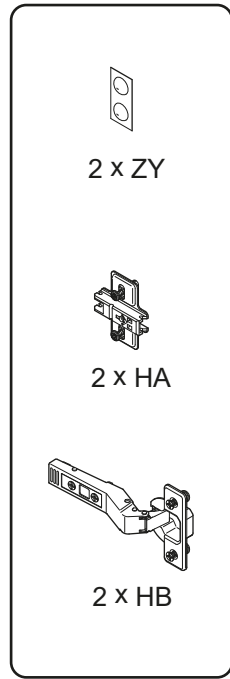
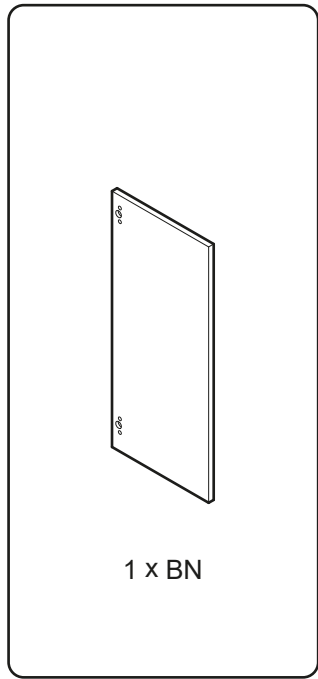
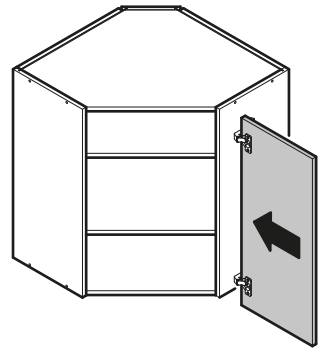
OHD6060

  
 4 x ZC  
 3,5 x 15

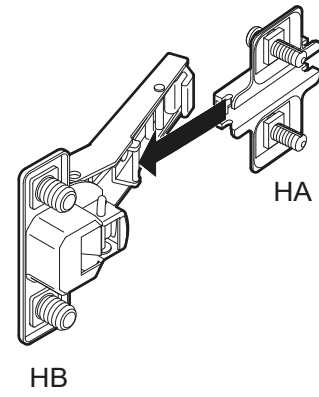
  
 2 x ME



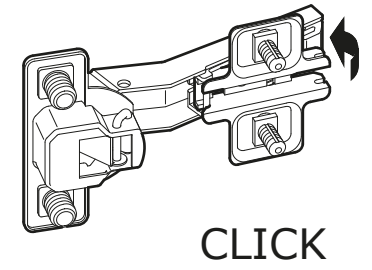
OD61-  
OHD61-



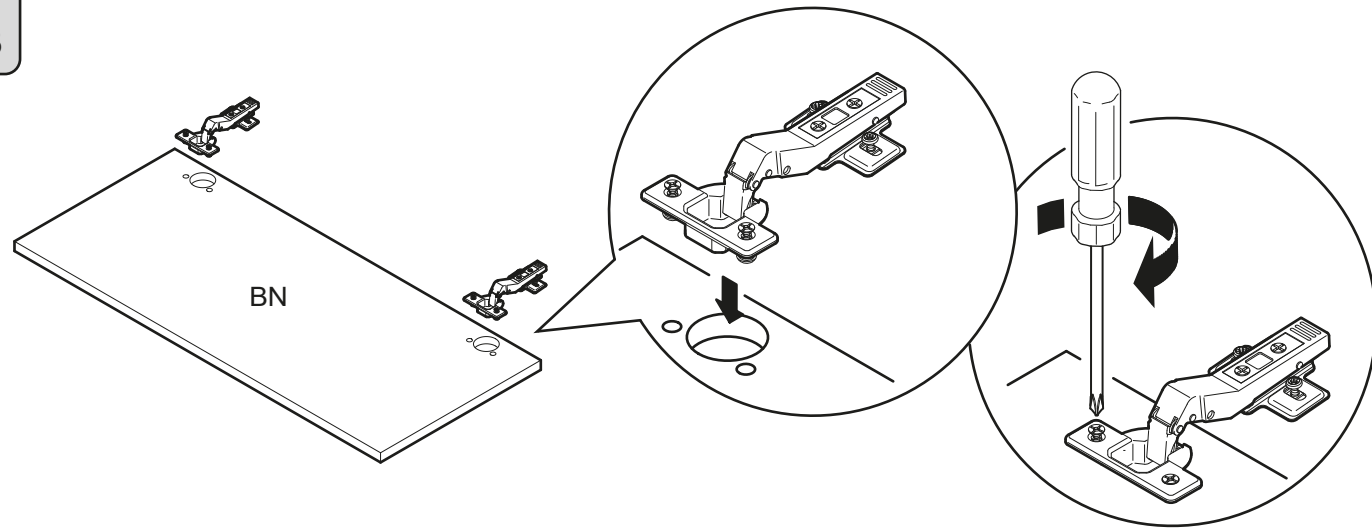
12a



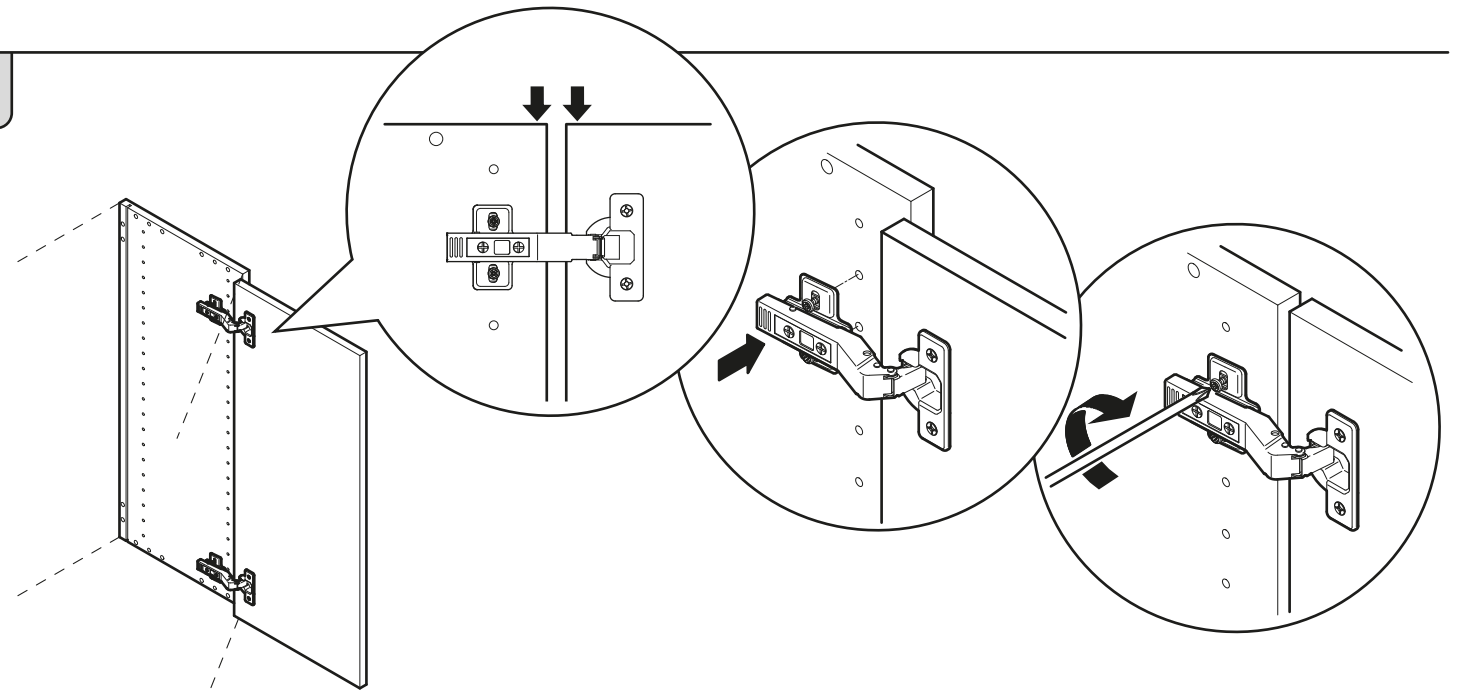
12b



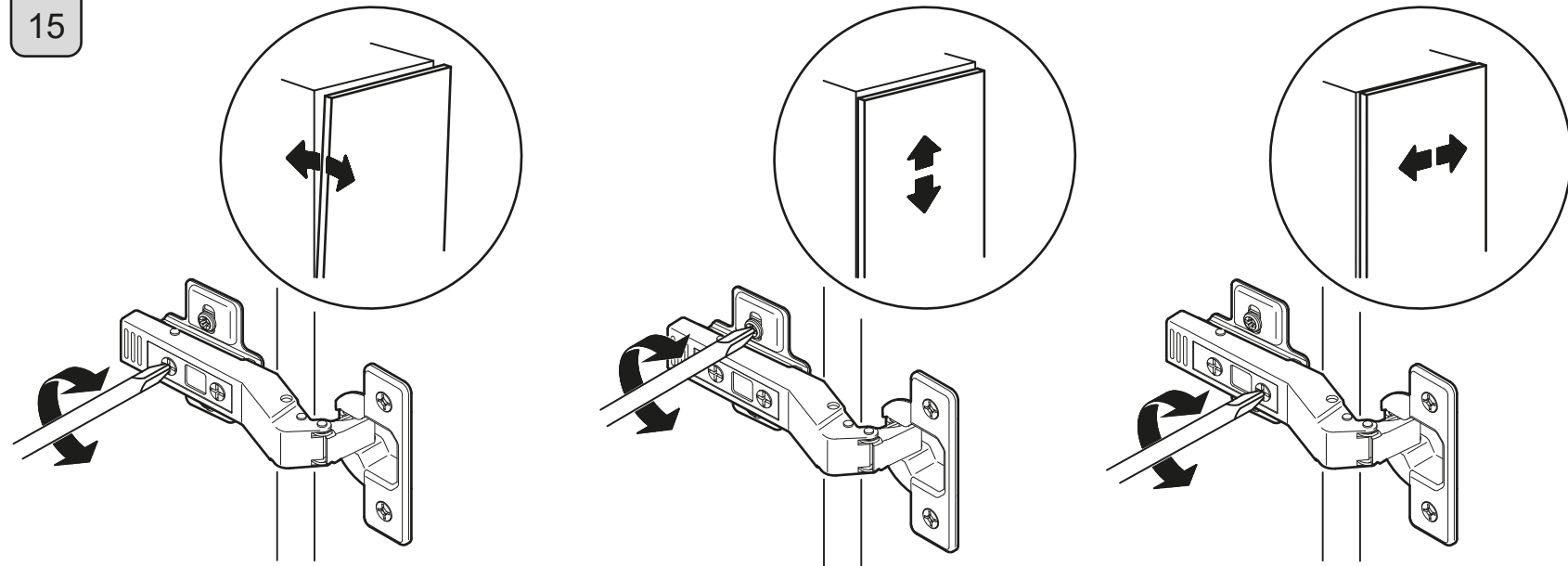
13



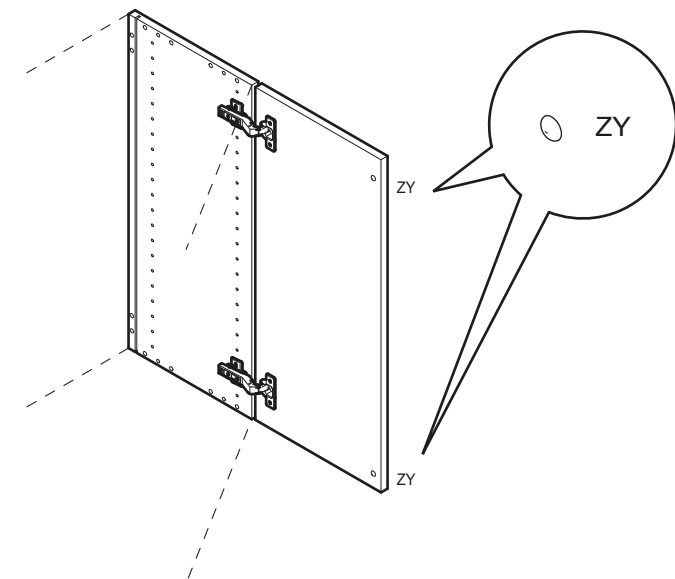
14



15

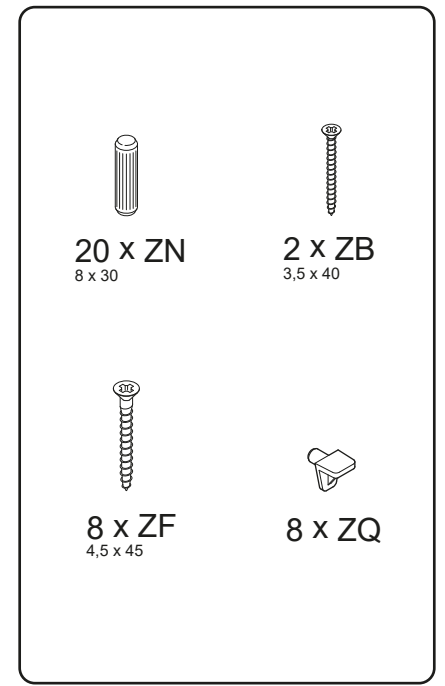
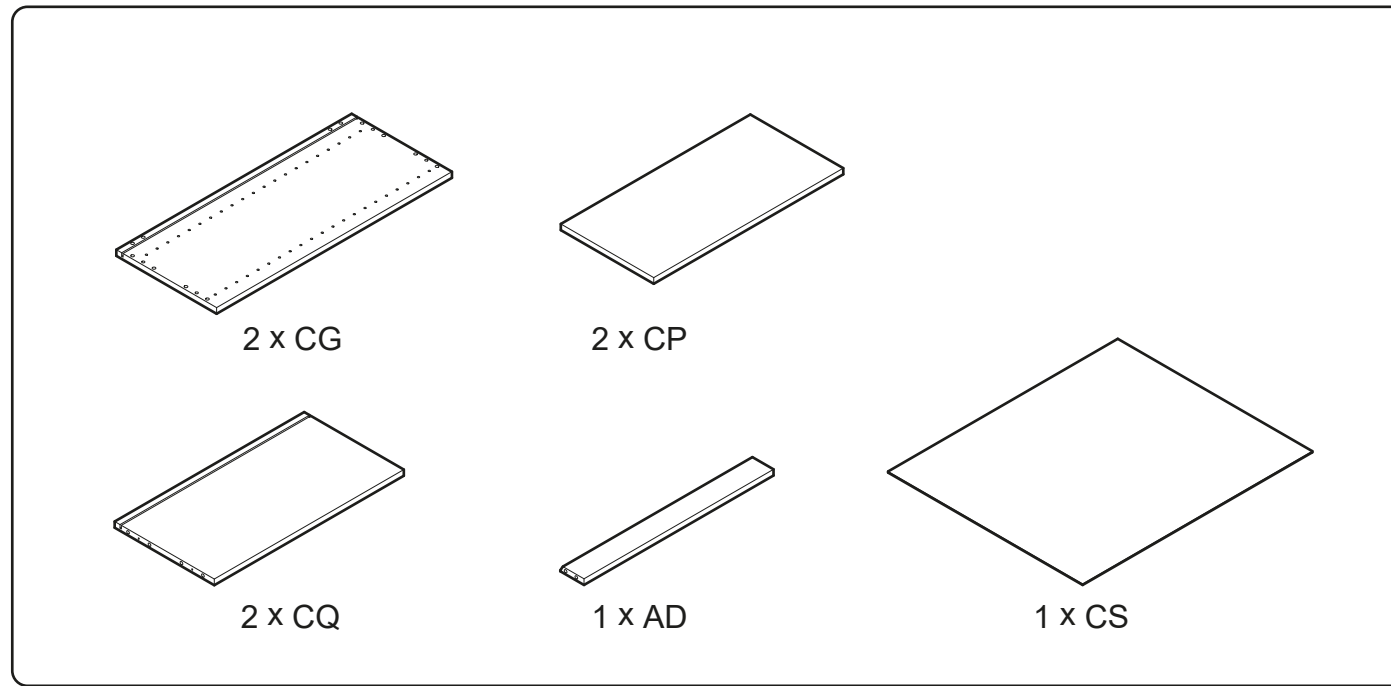
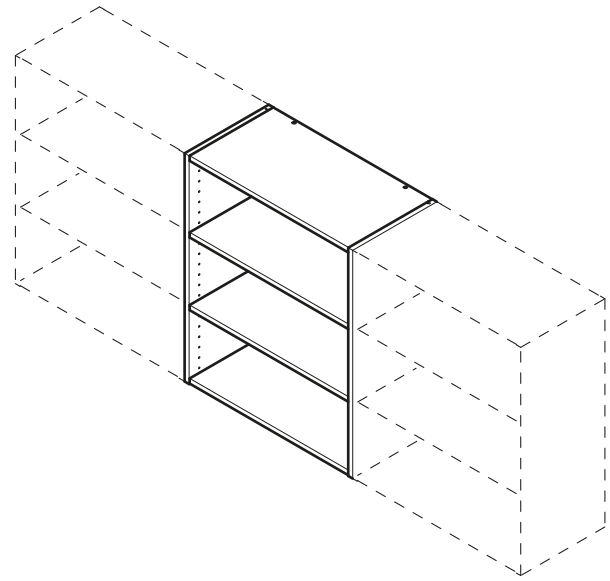


16

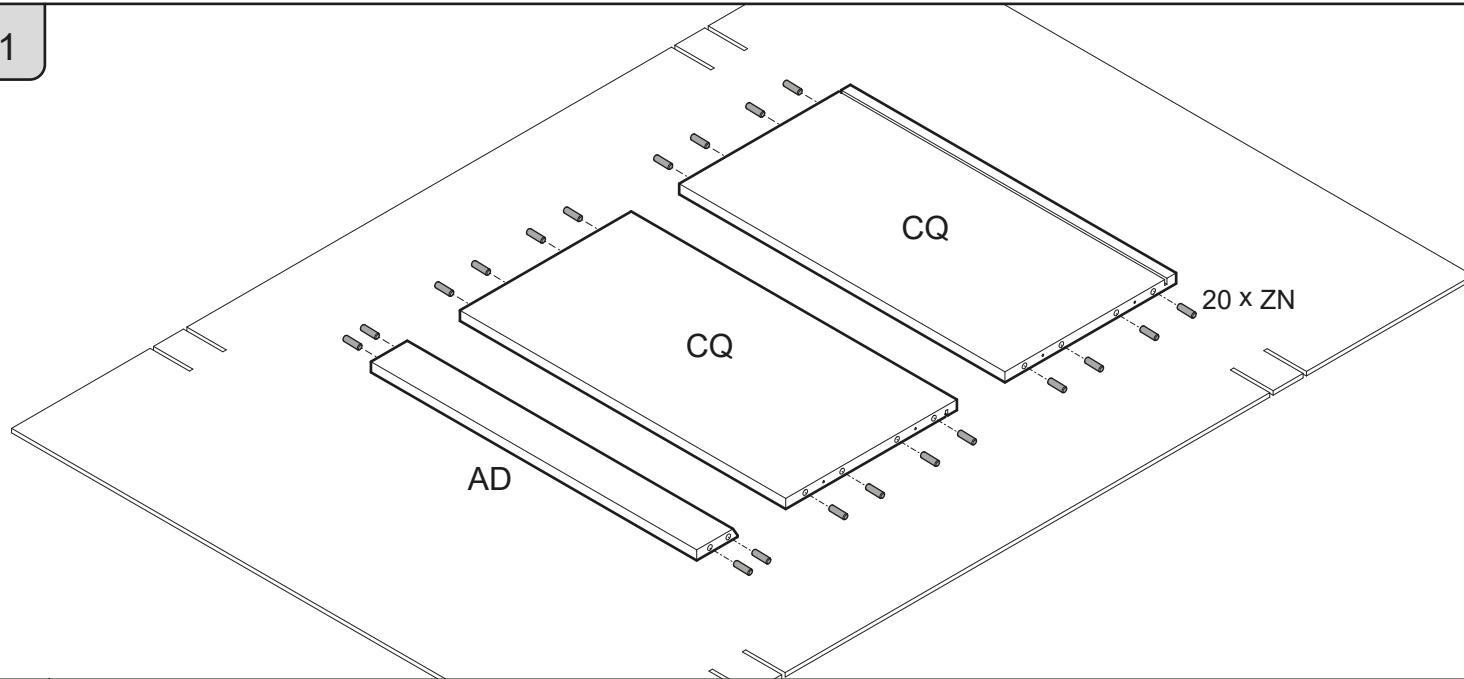


O60  
OH960

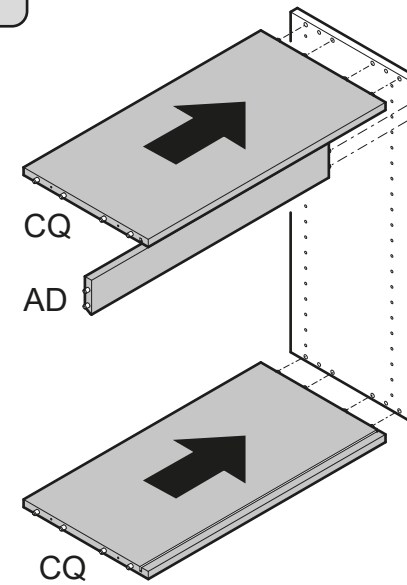
SV012



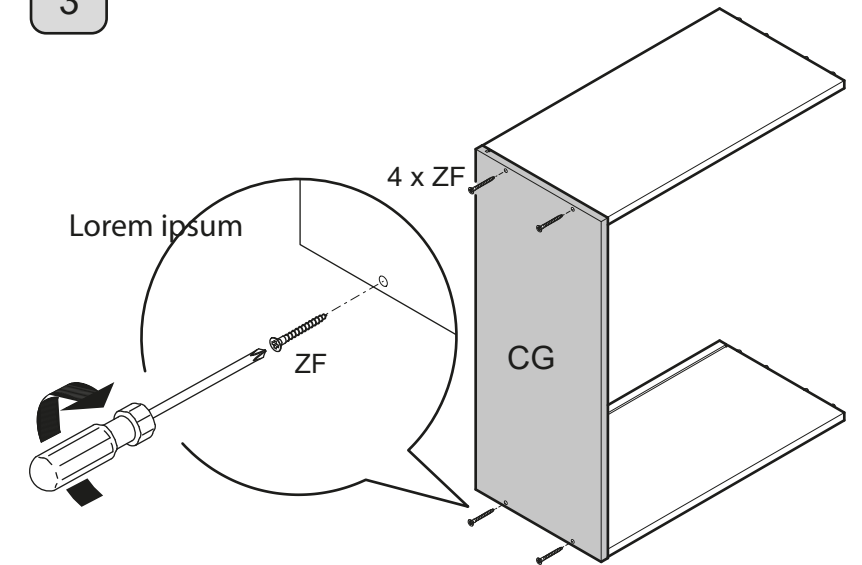
1



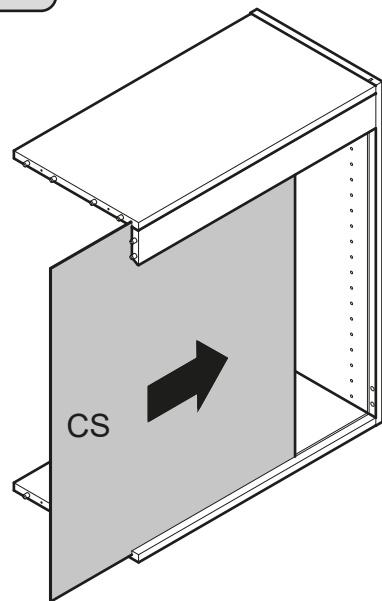
2



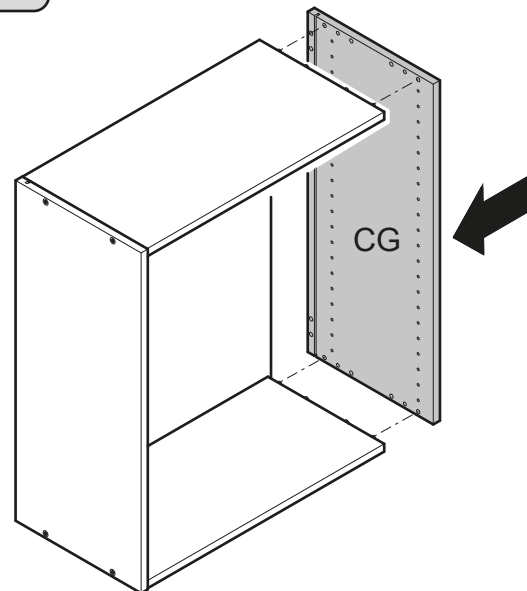
3



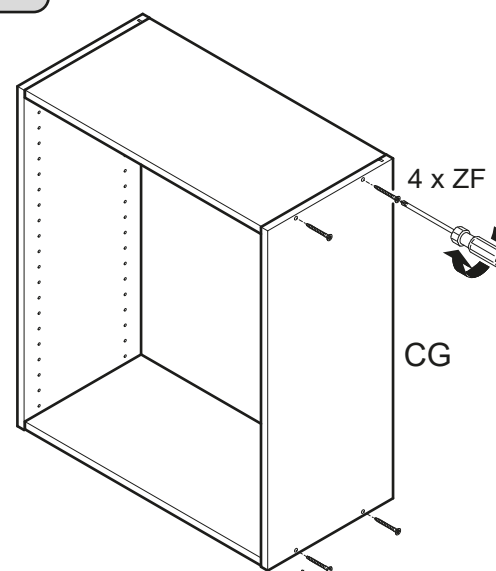
4



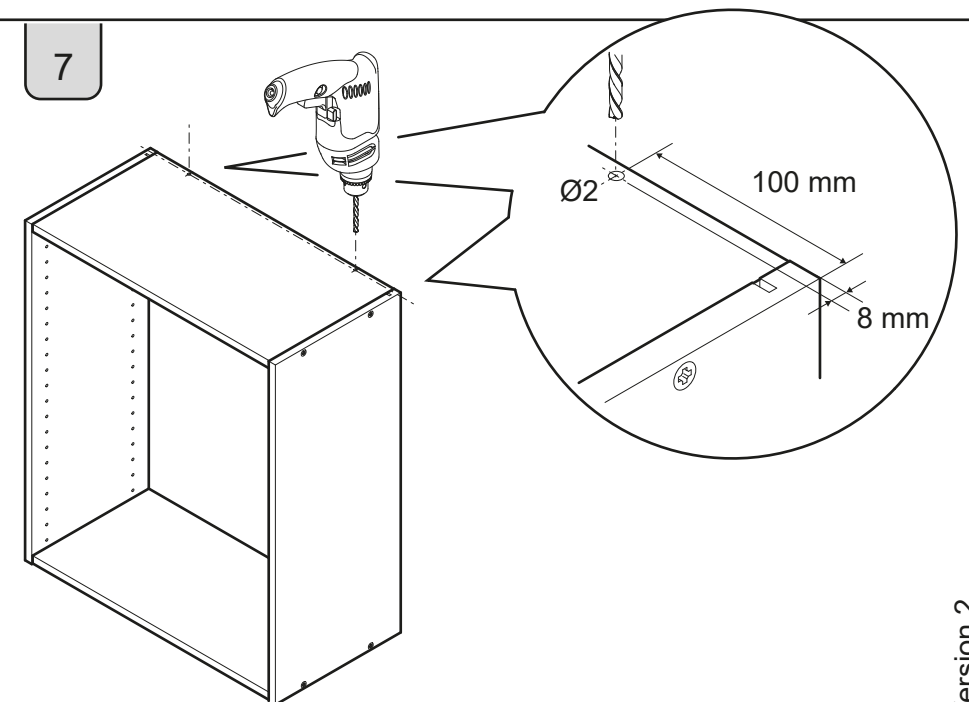
5



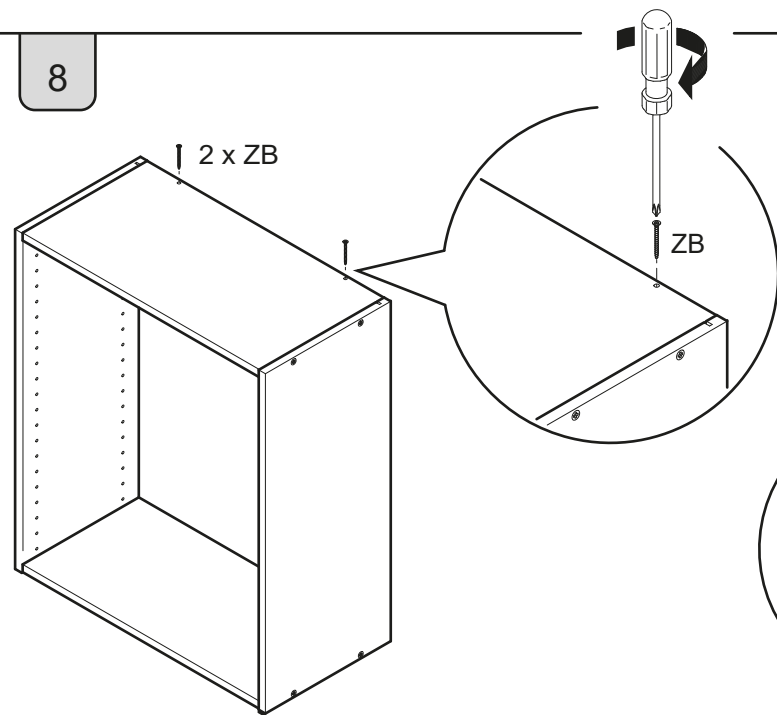
6



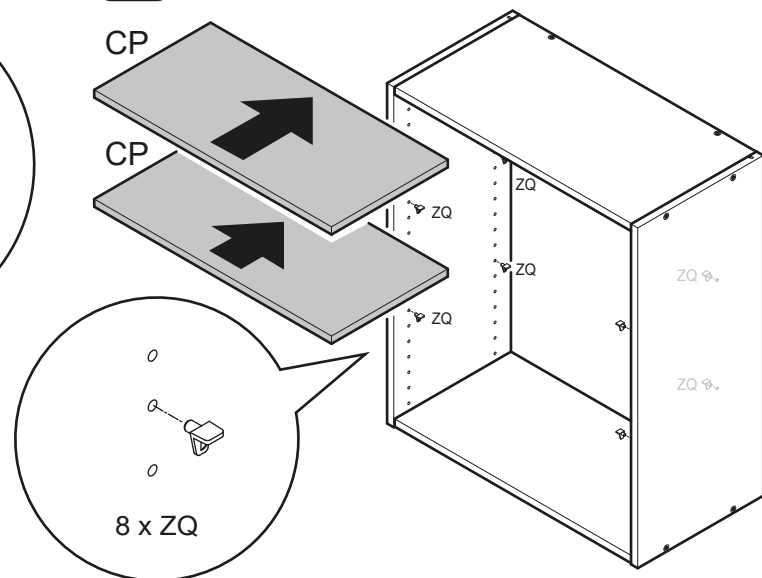
7



8

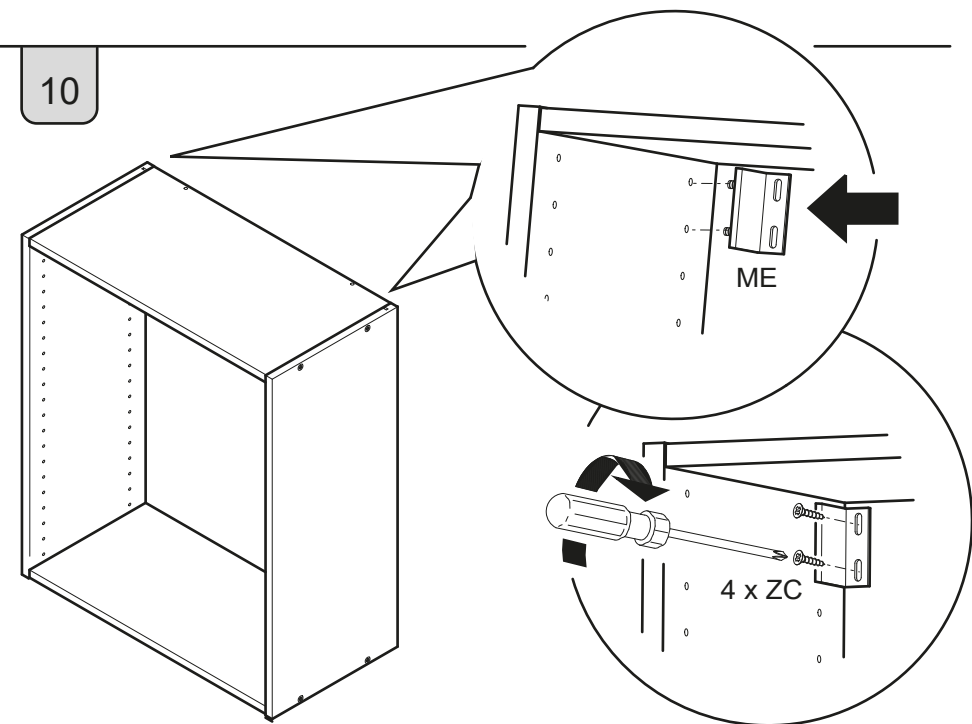
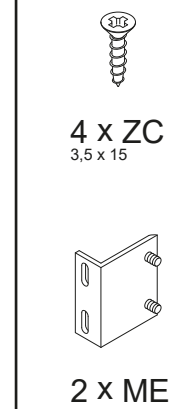


9

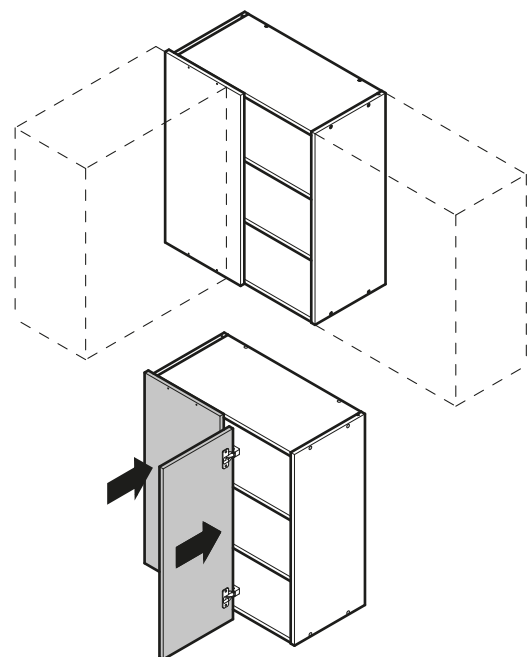


OH960

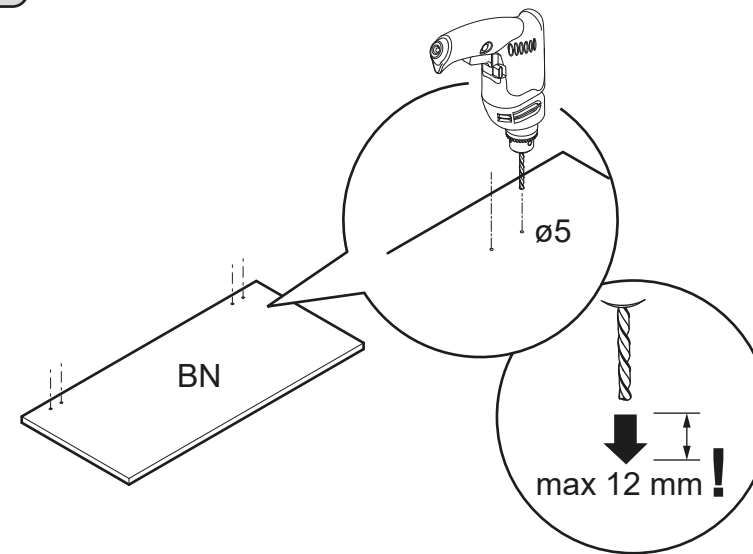
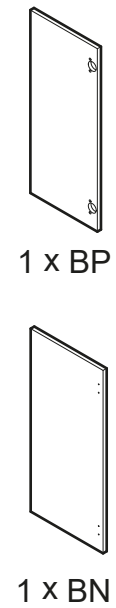
10



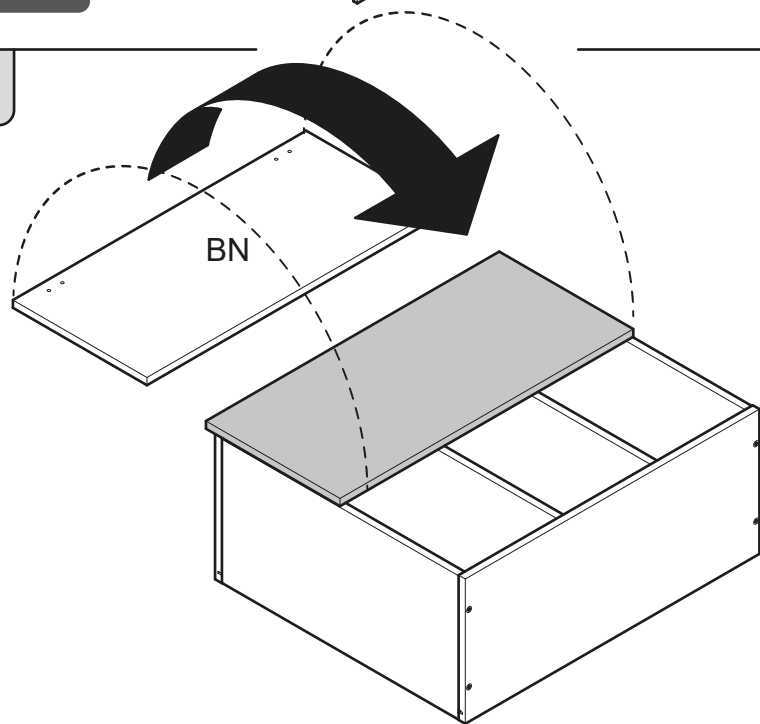
OI61-  
OHI61-



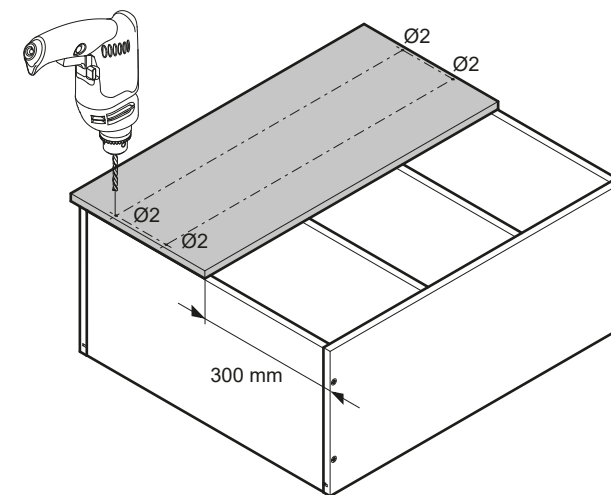
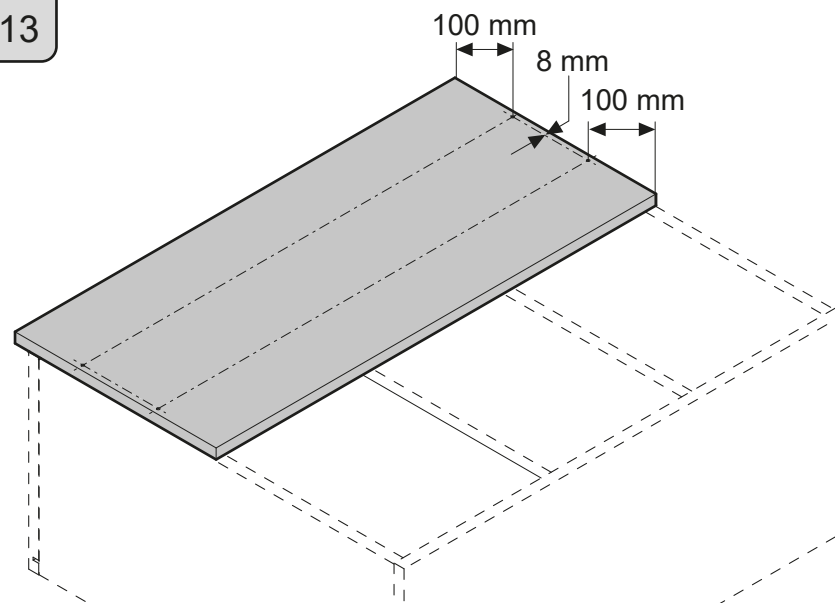
11



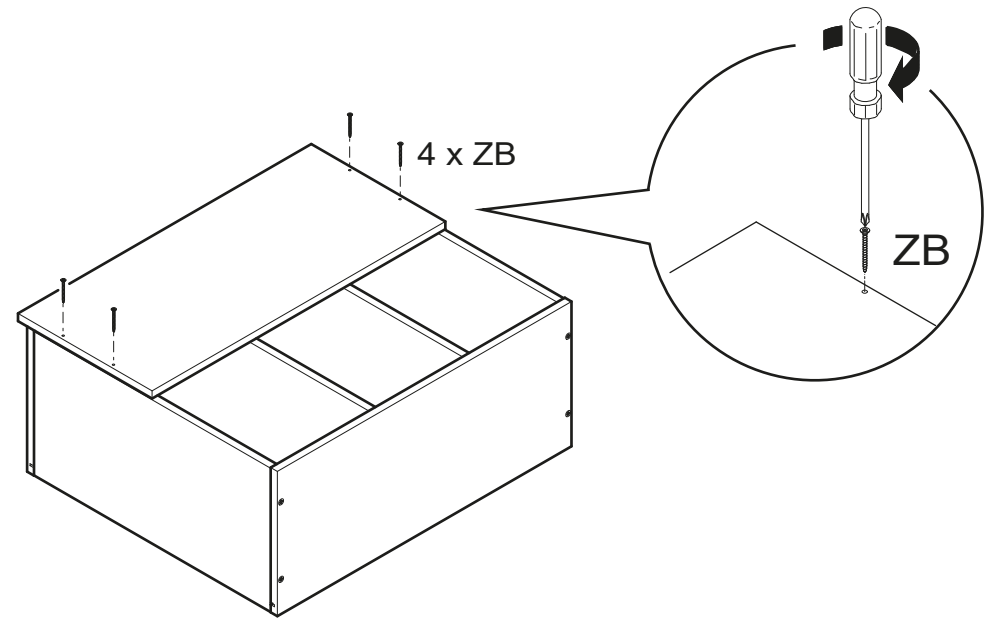
12



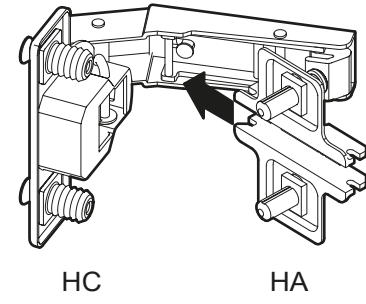
13



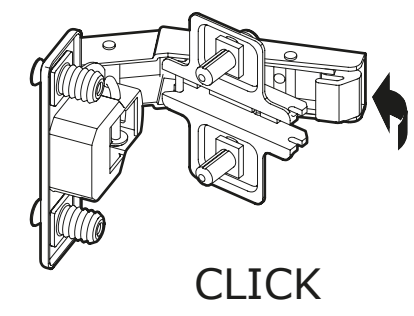
14



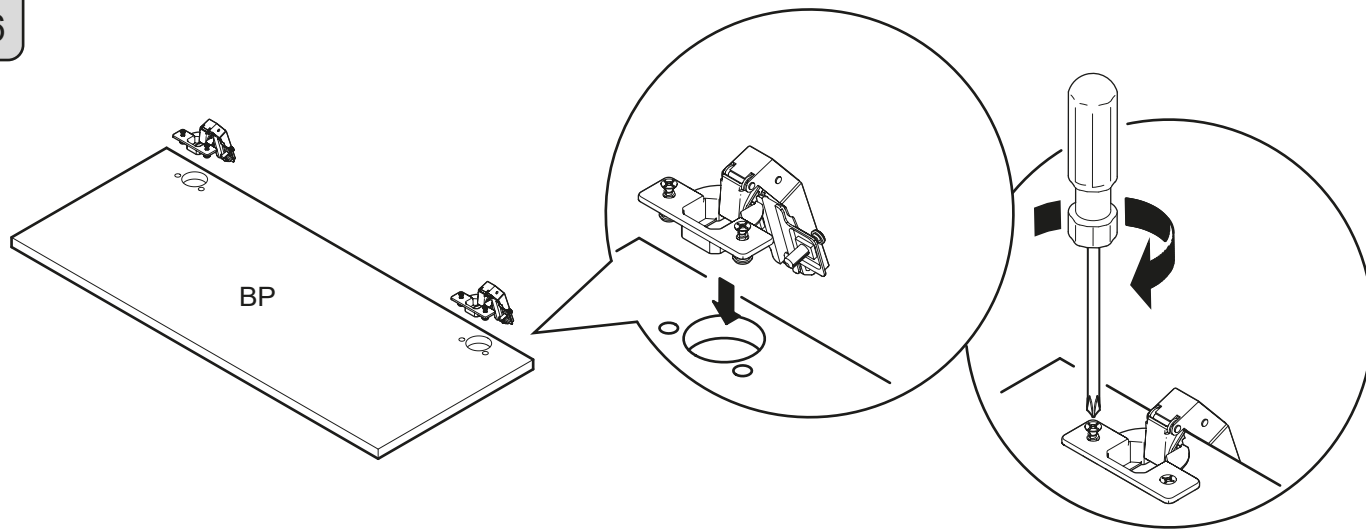
15a



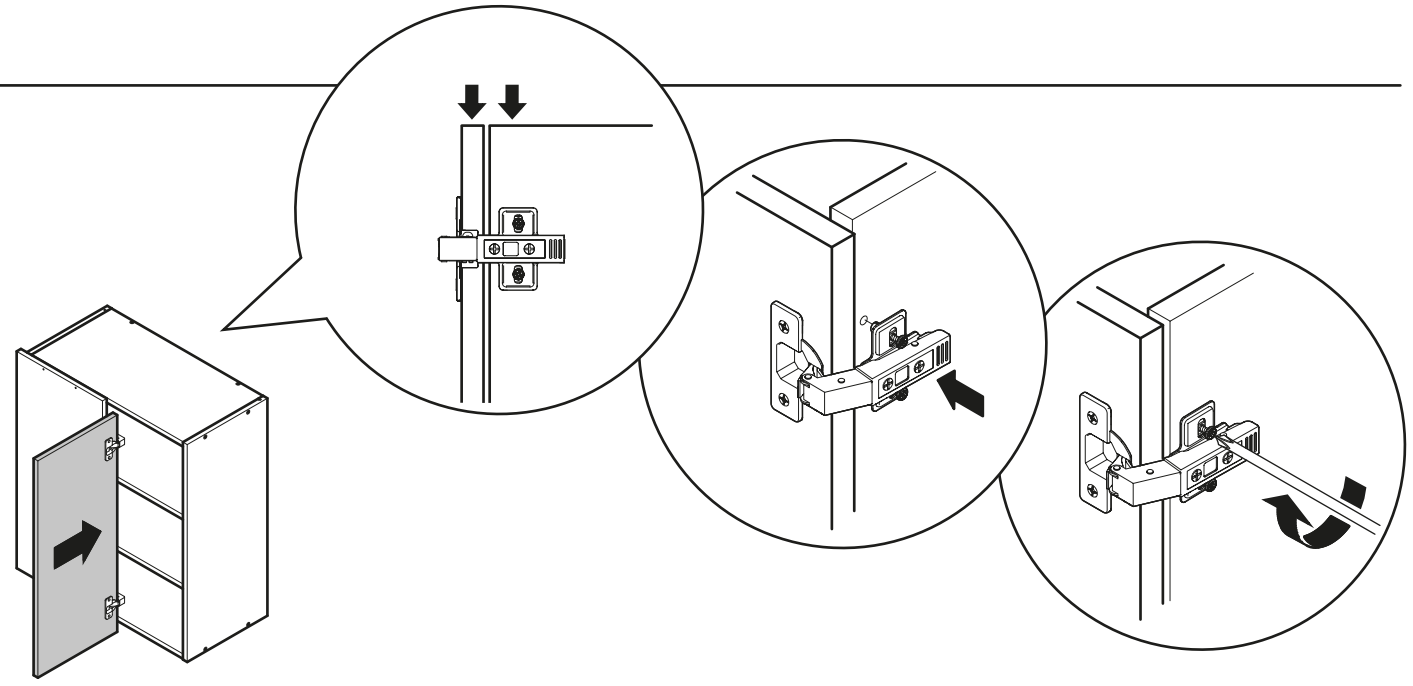
15b



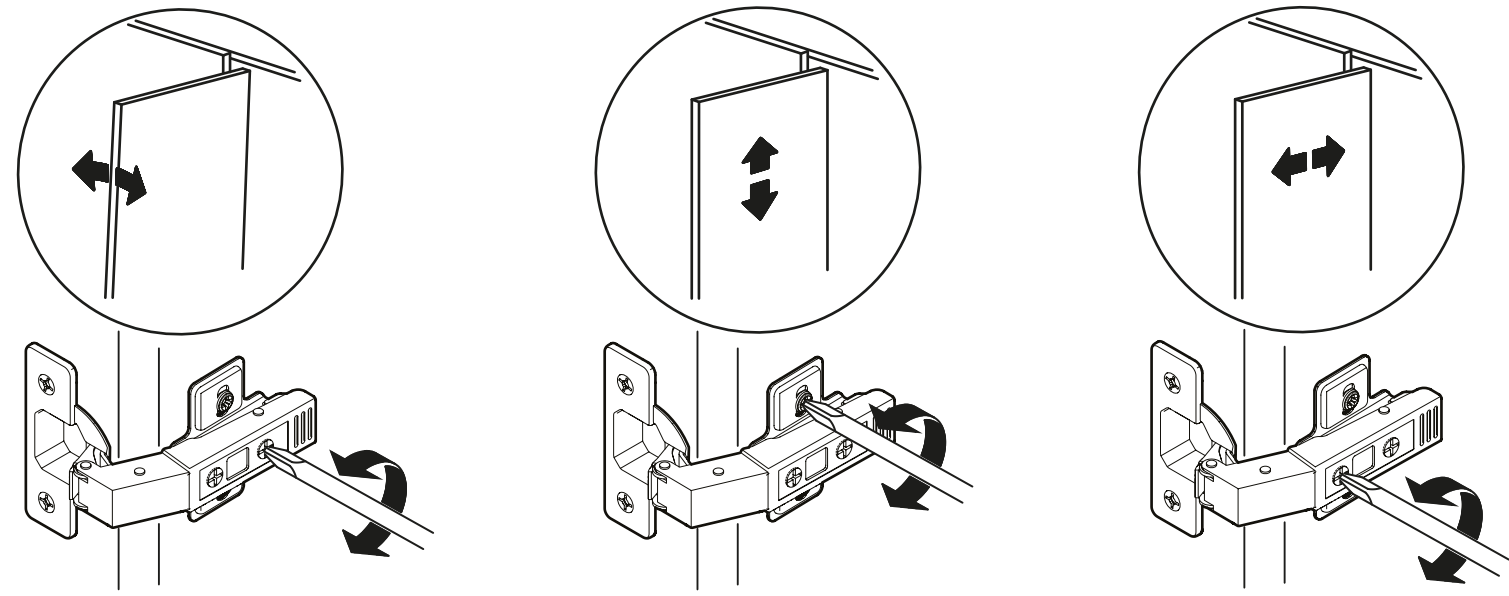
16



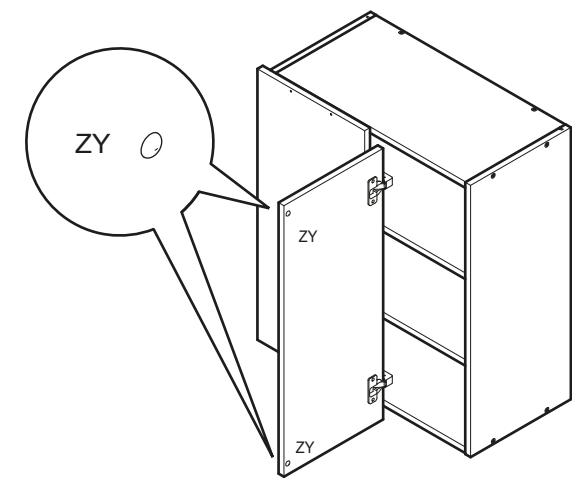
17



18

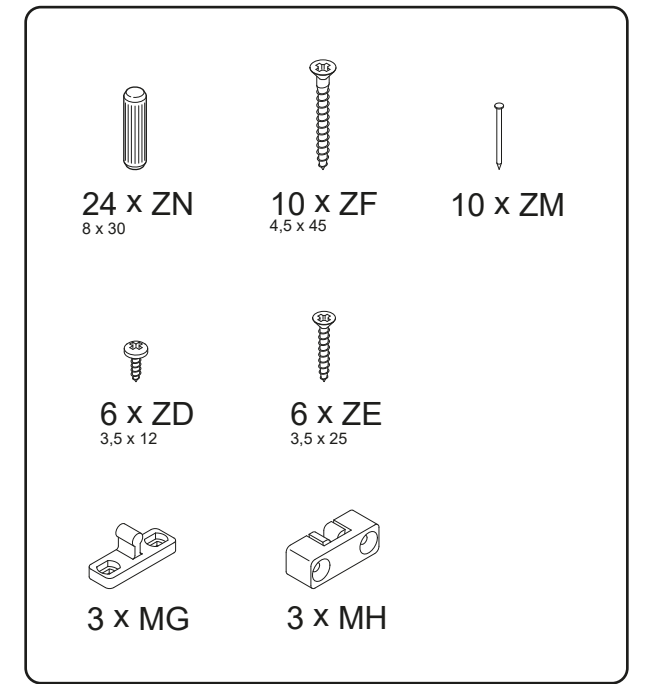
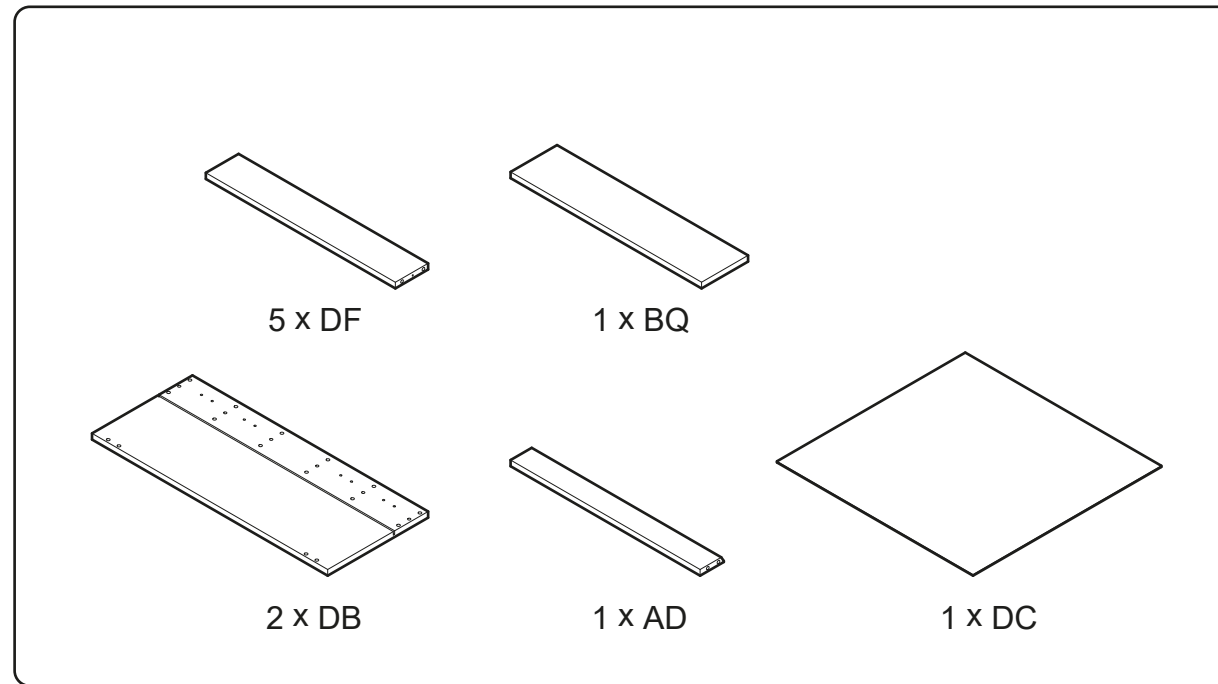
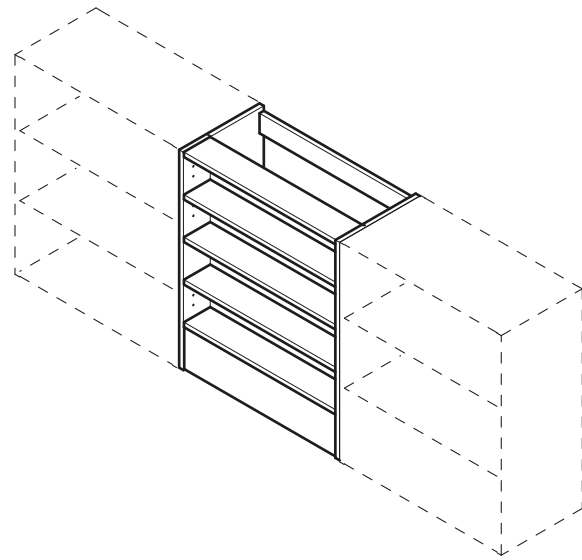


19

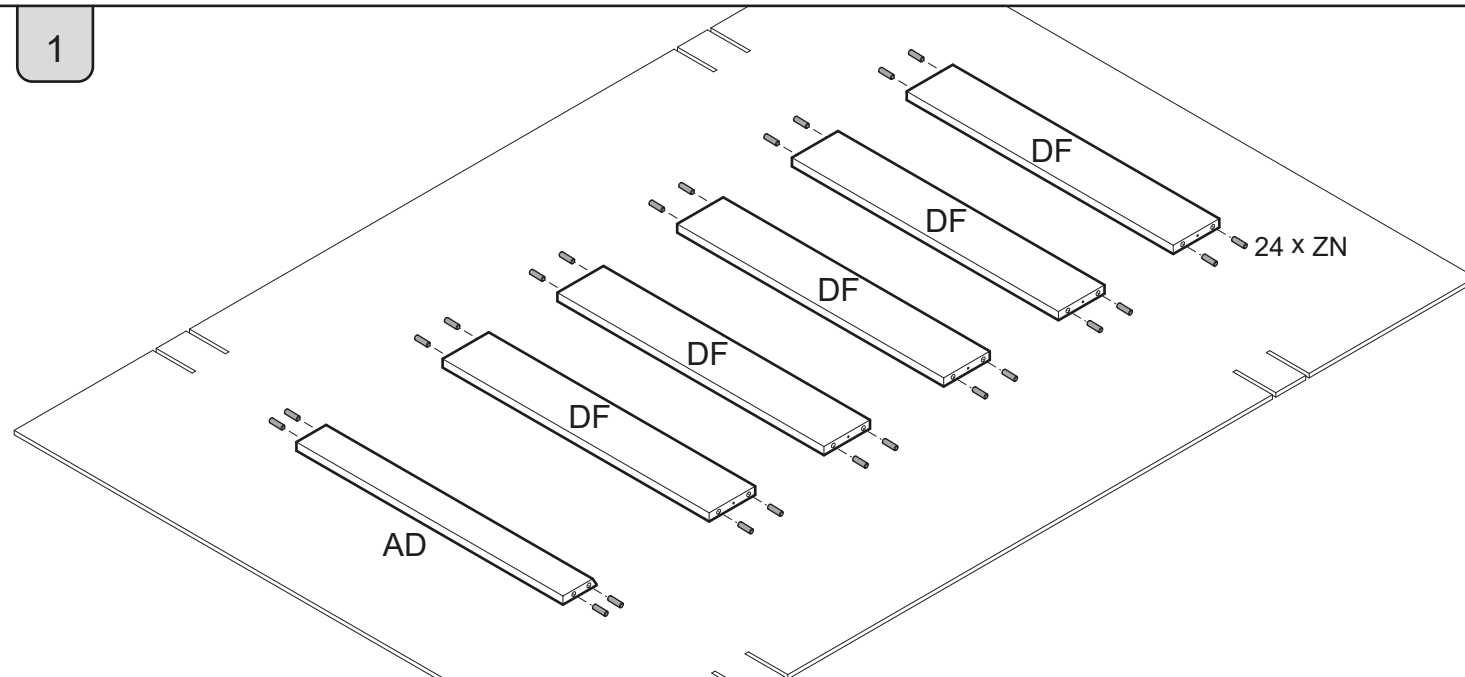


E60  
EH60  
LE60

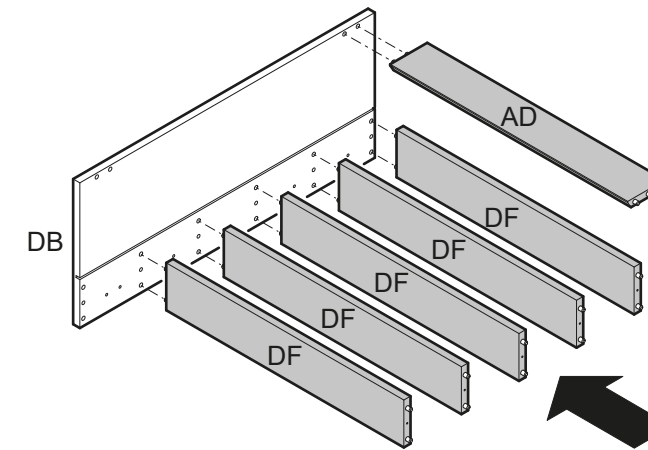
SV013



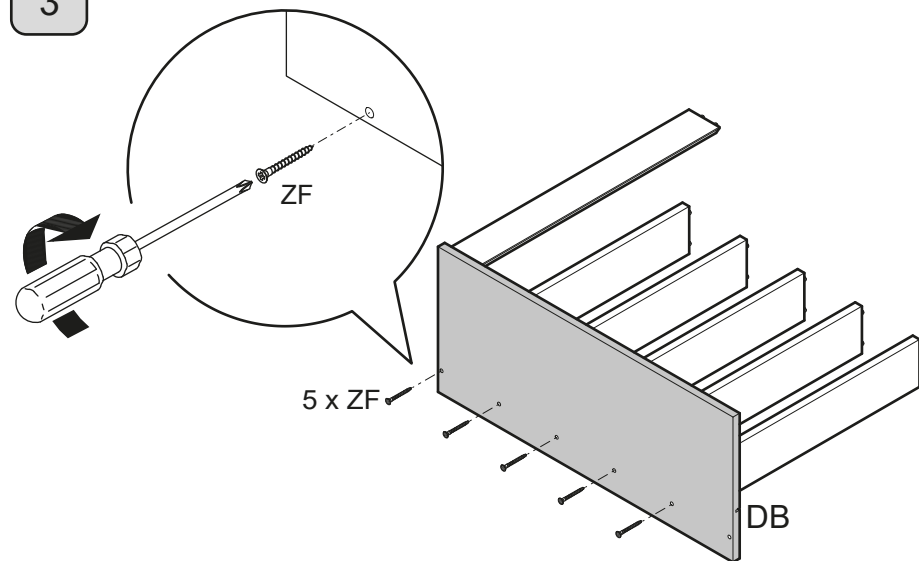
1



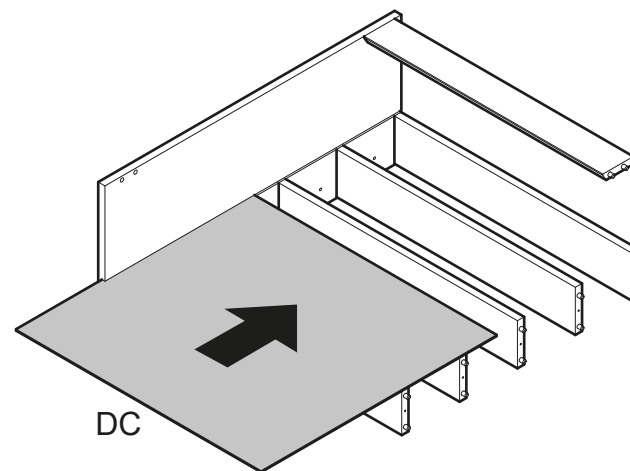
2



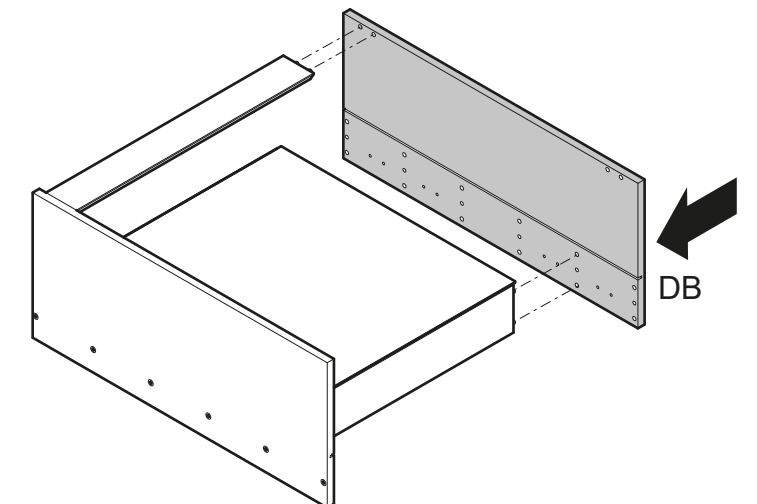
3



4

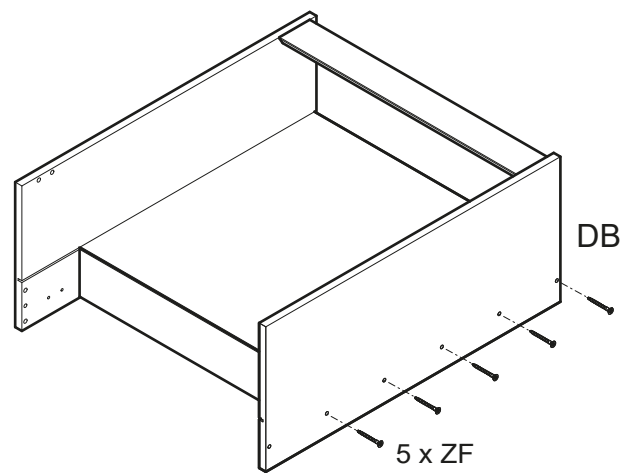


5

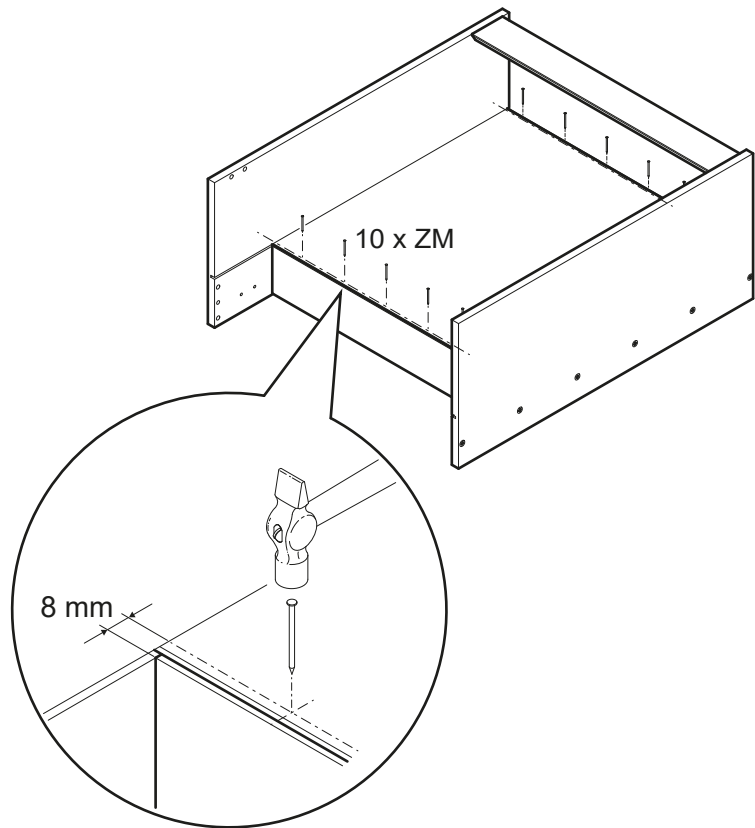




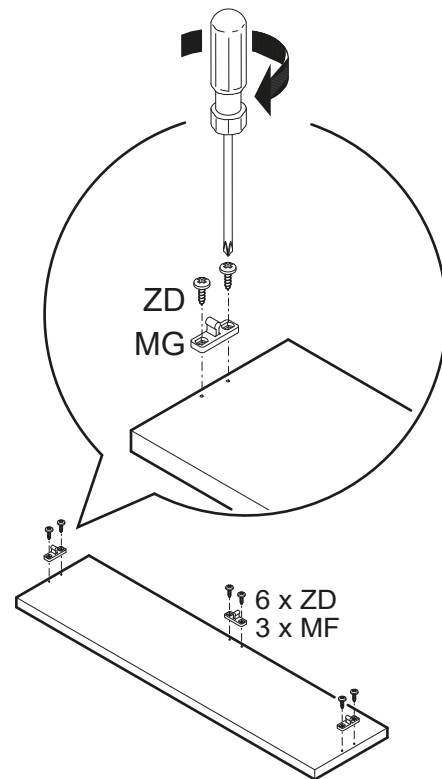
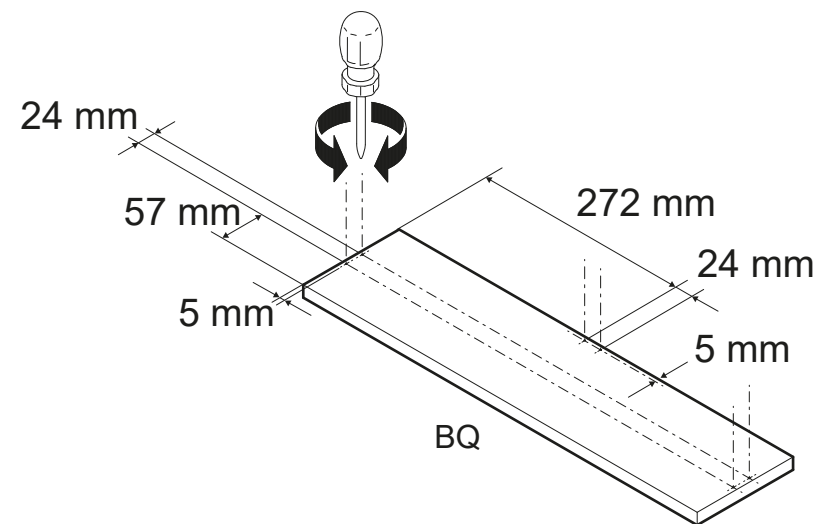
6



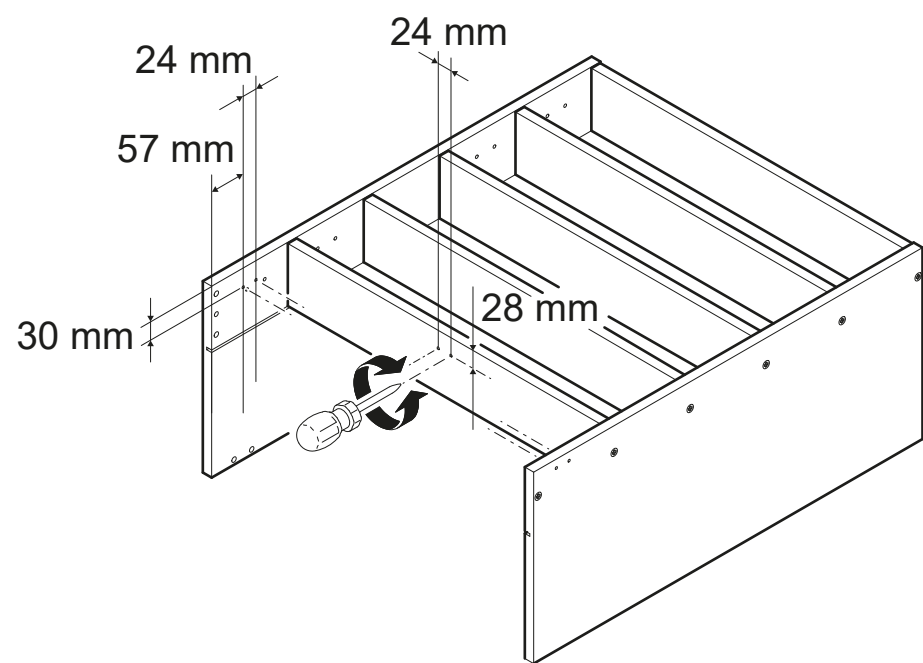
7



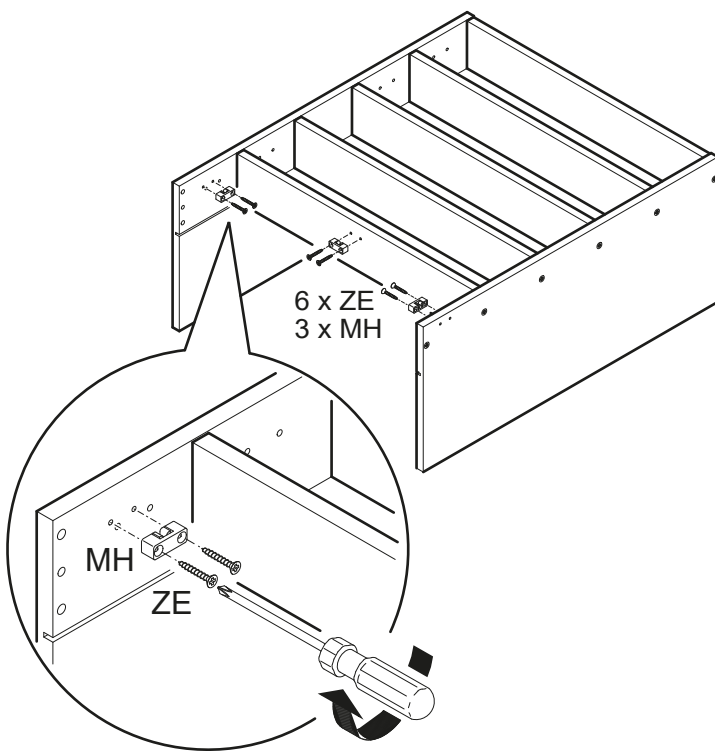
8



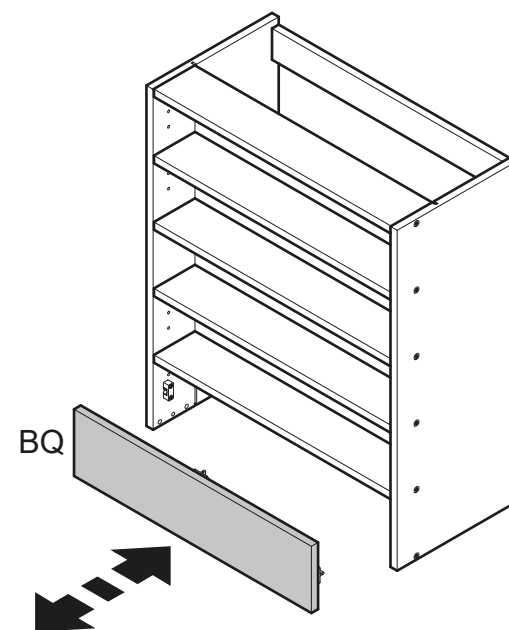
9



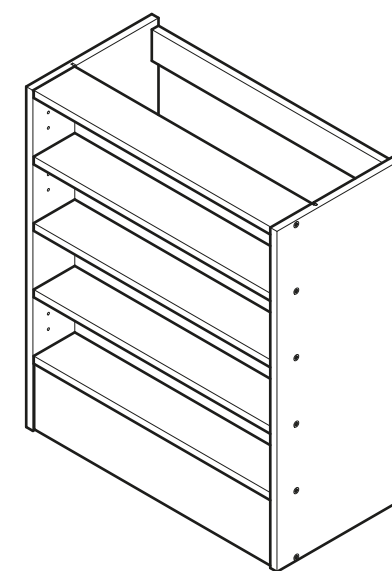
10



11



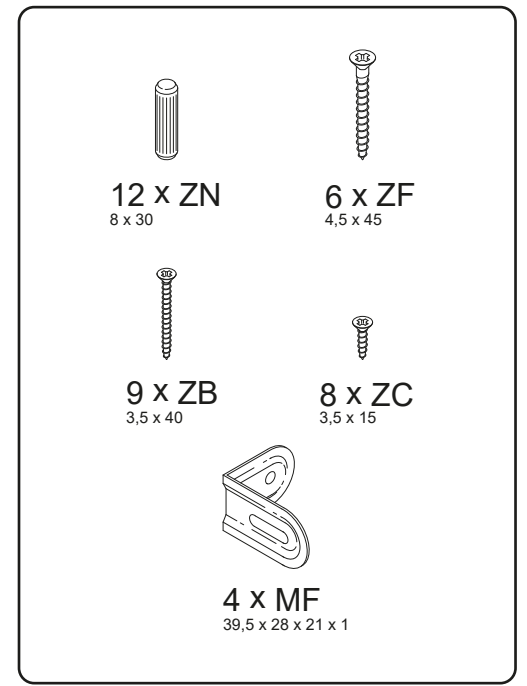
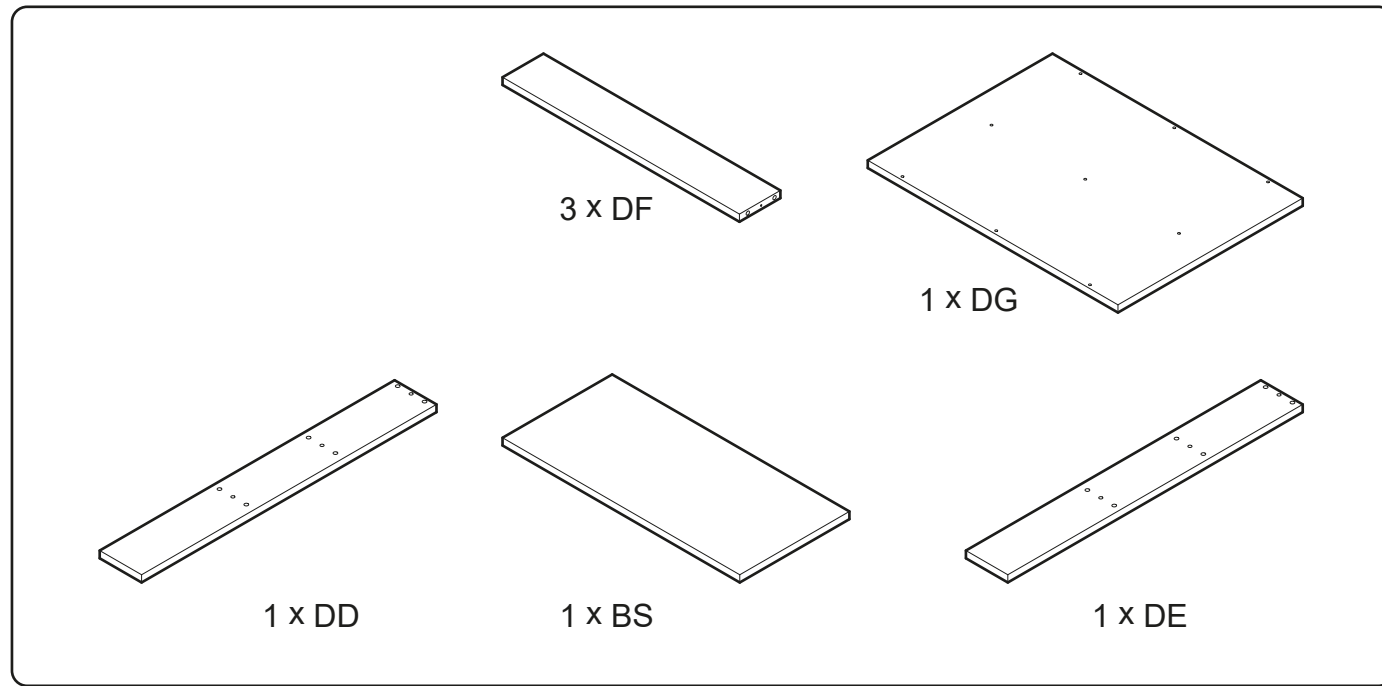
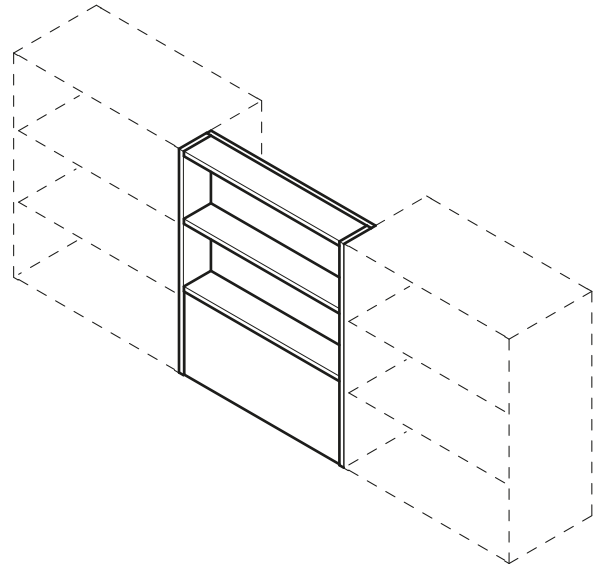
12



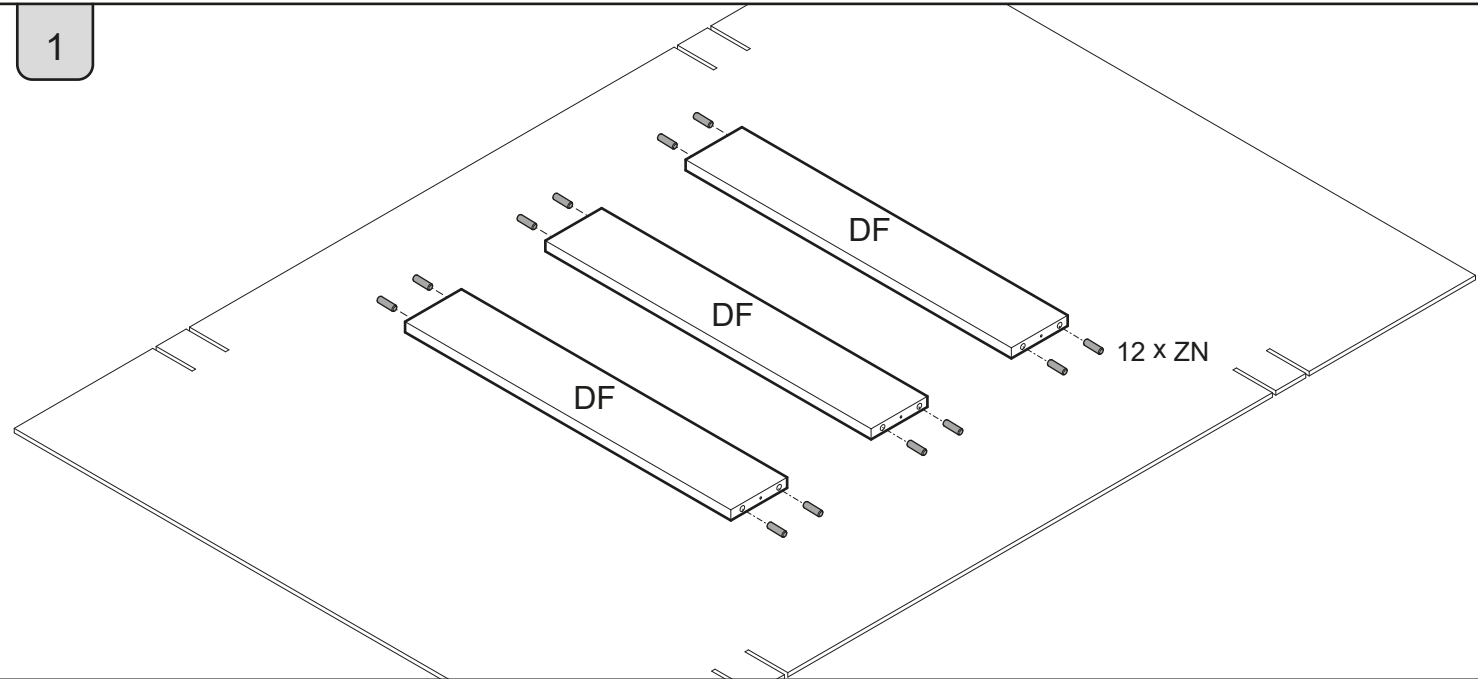


O64-  
OH64-

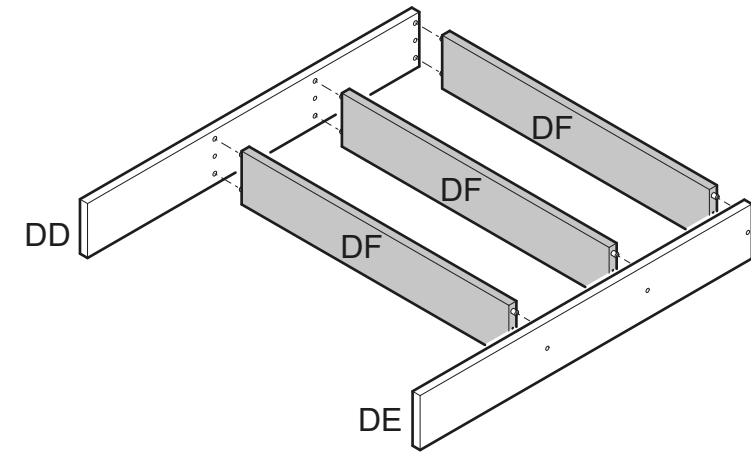
SV014



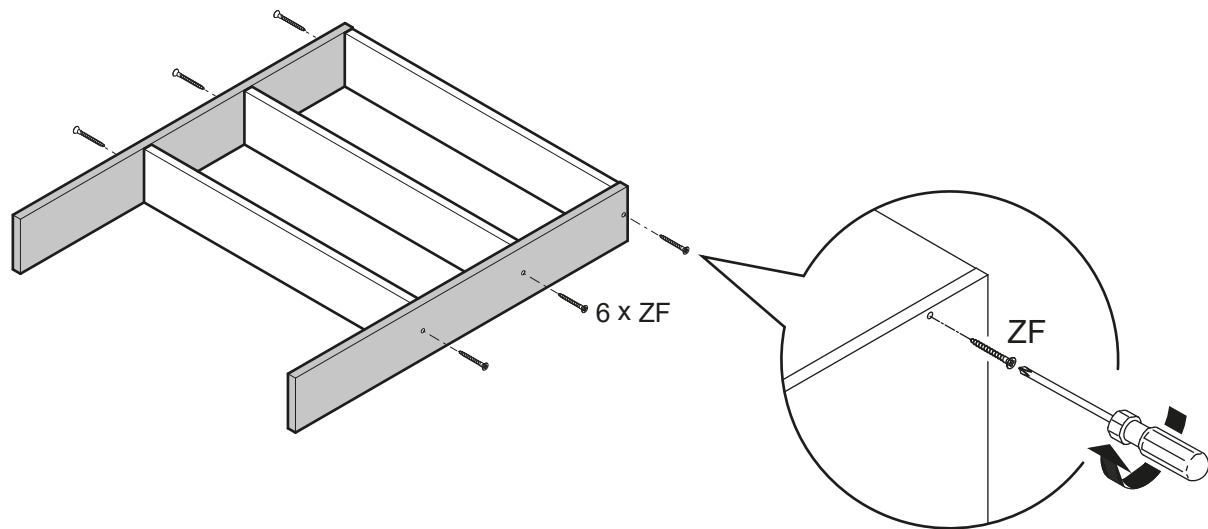
1



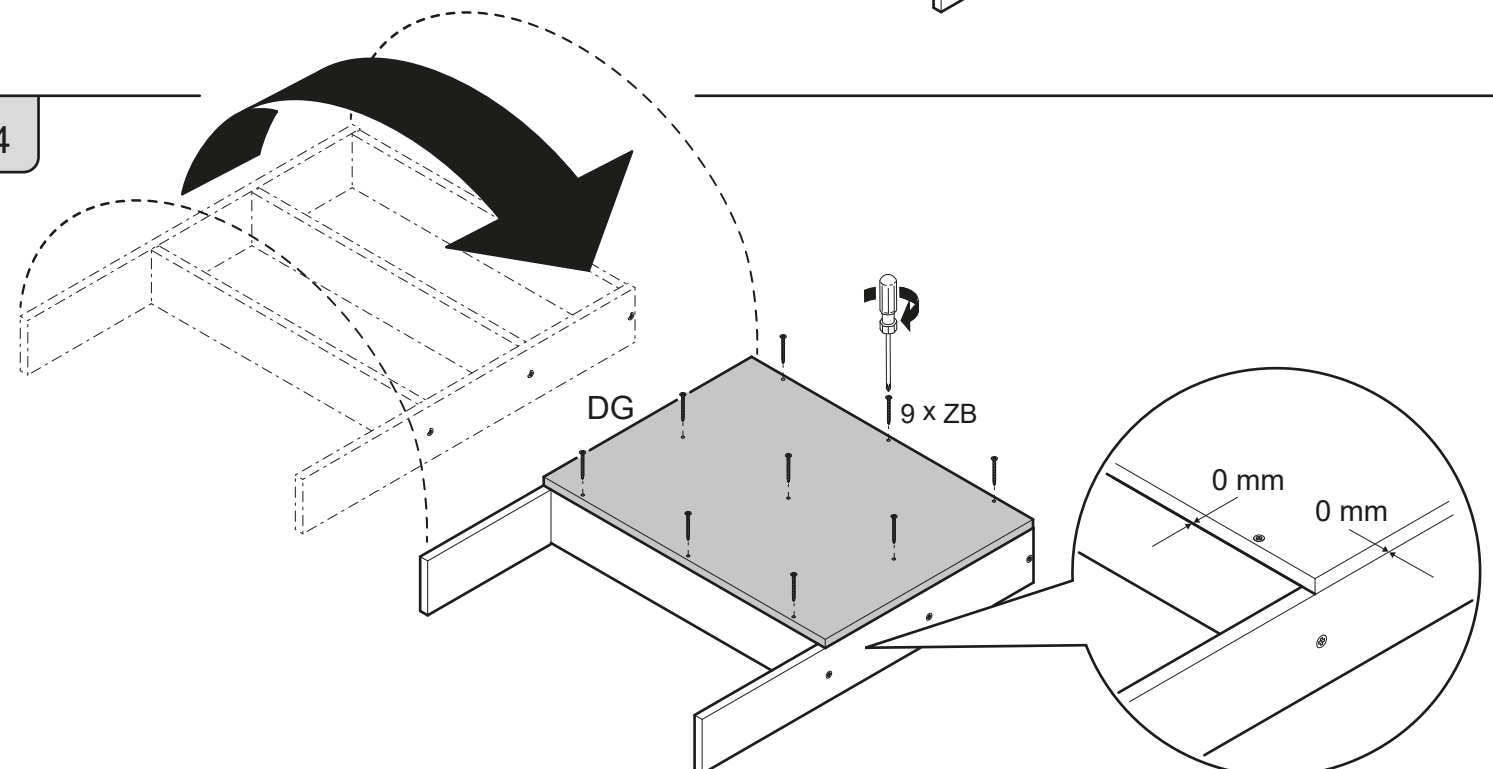
2



3

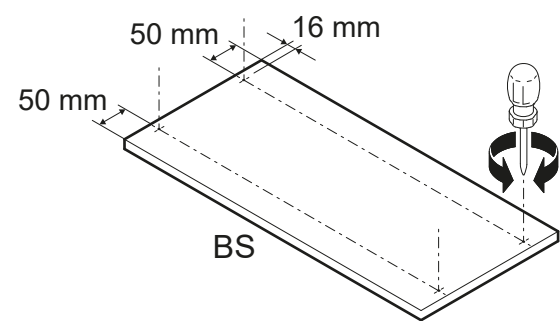


4

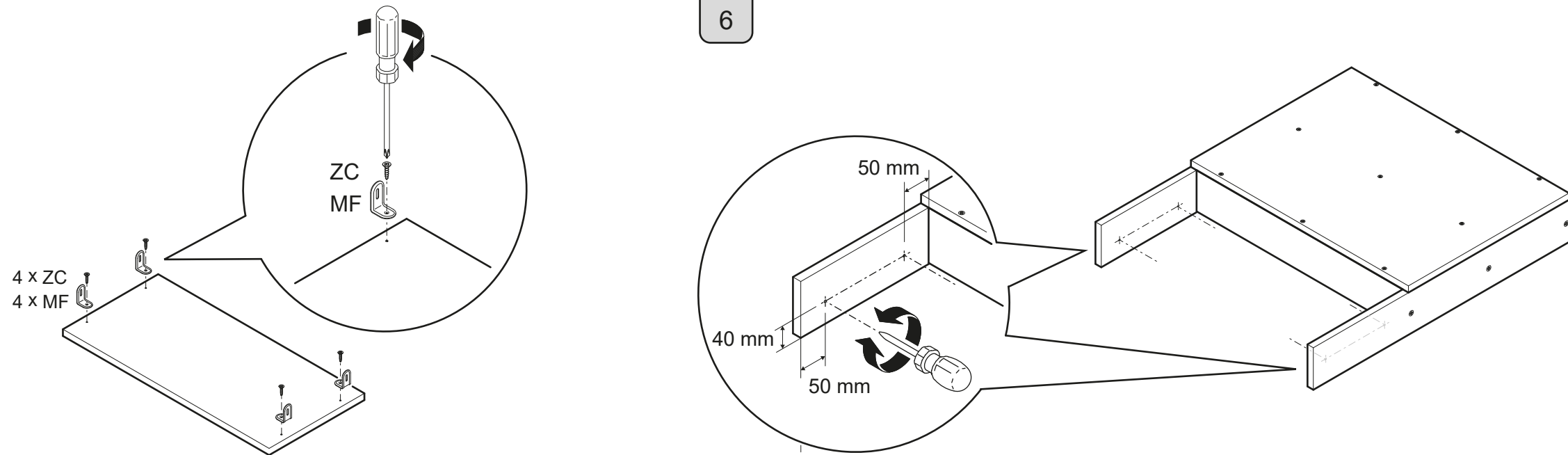


1/2 SV014

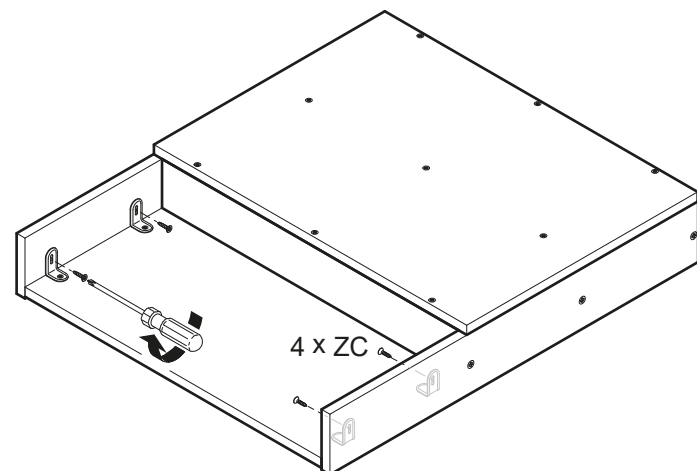
5



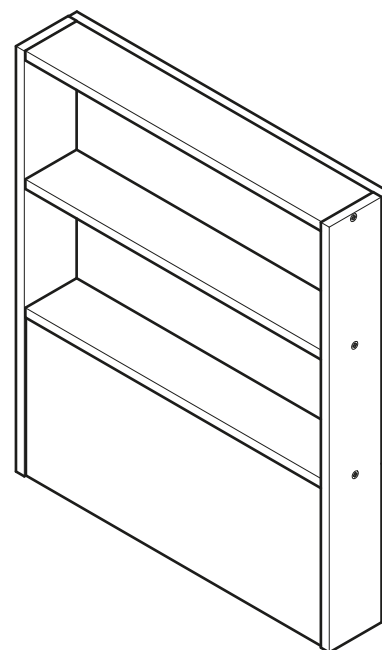
6



7

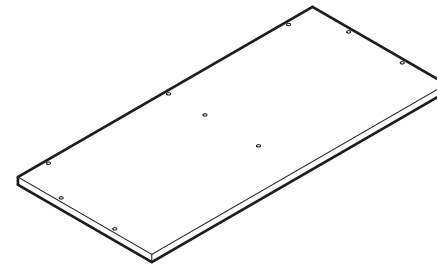
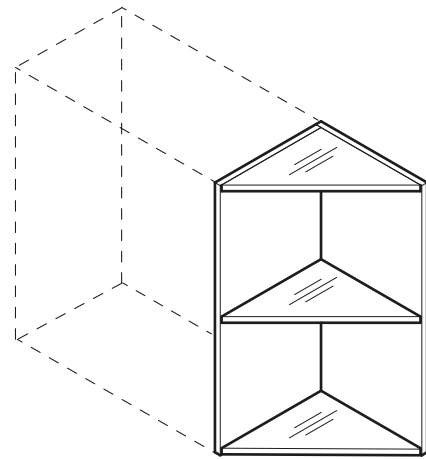


8

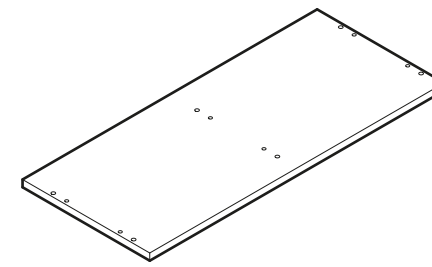


AR732  
AR932

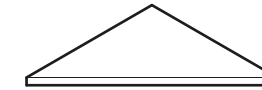
SV015



1 x DH



1 x DJ



3 x DK

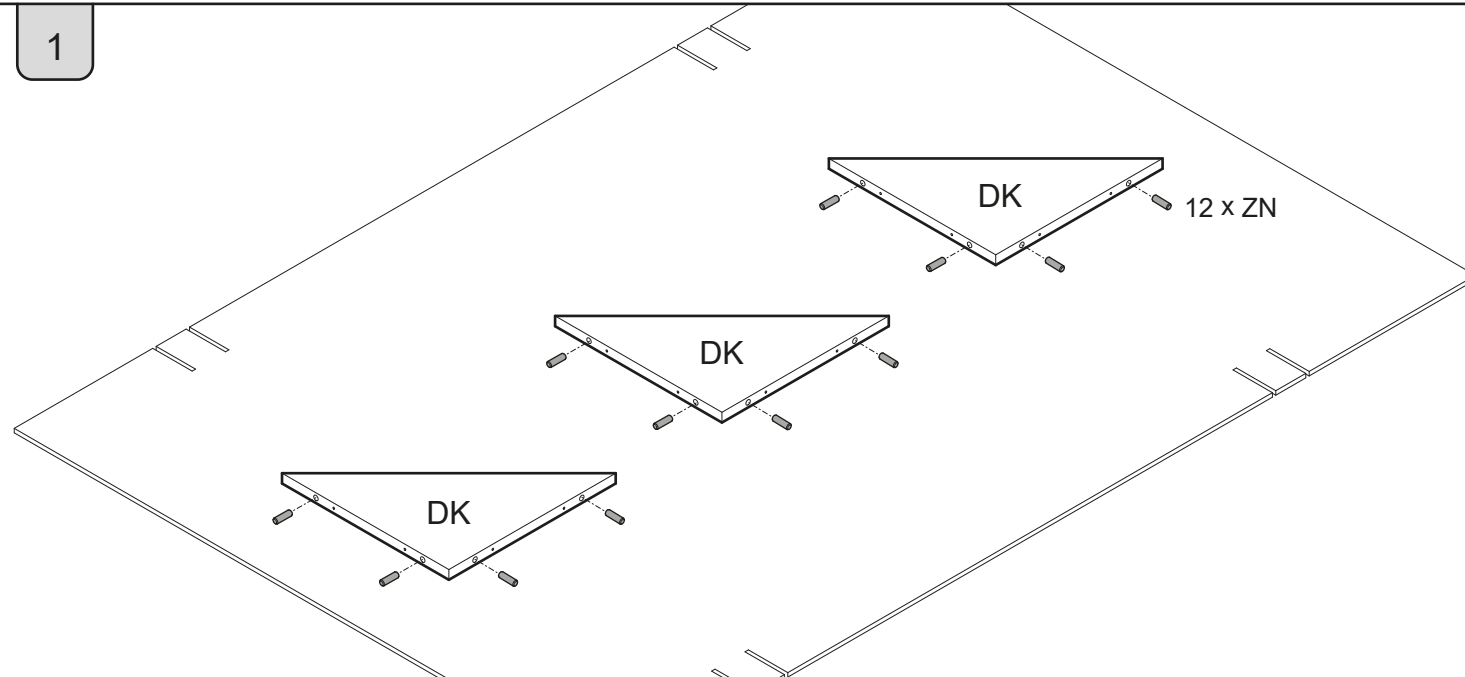


12 x ZN  
8 x 30

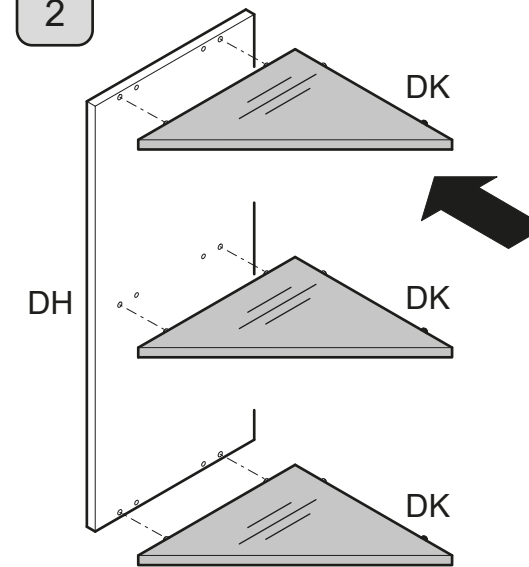


15 x ZF  
4,5 x 45

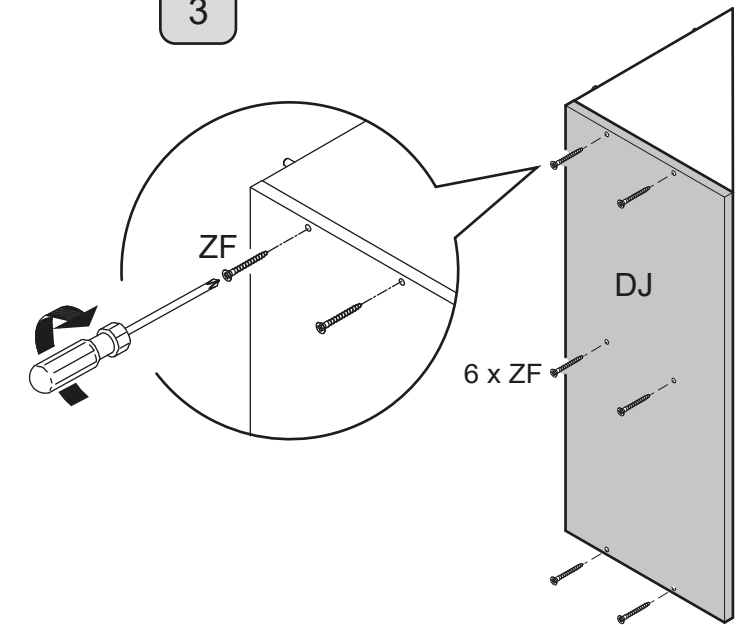
1



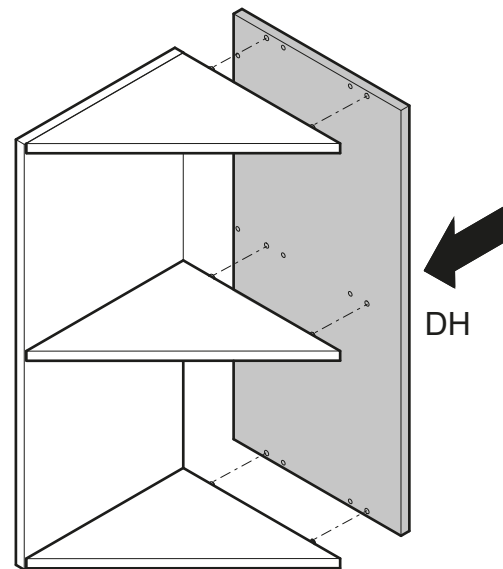
2



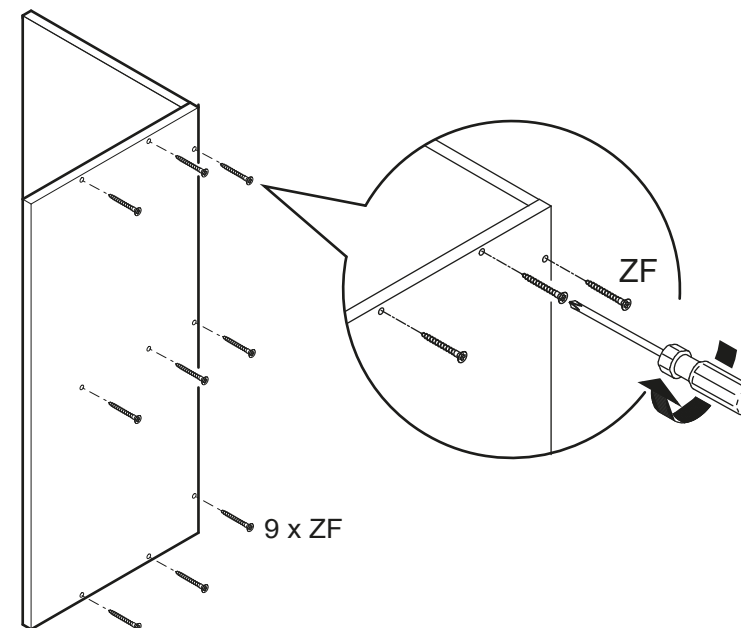
3



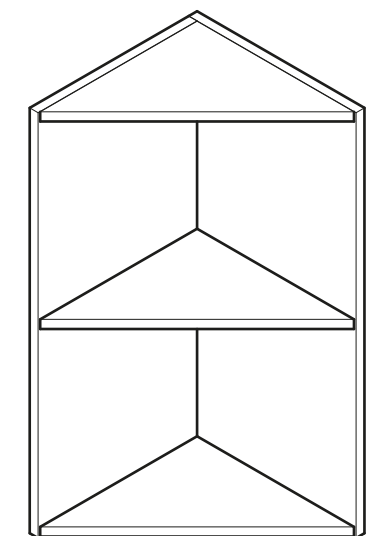
3



4

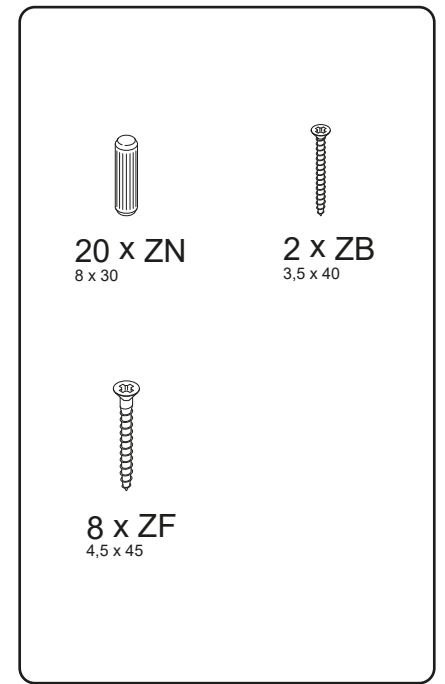
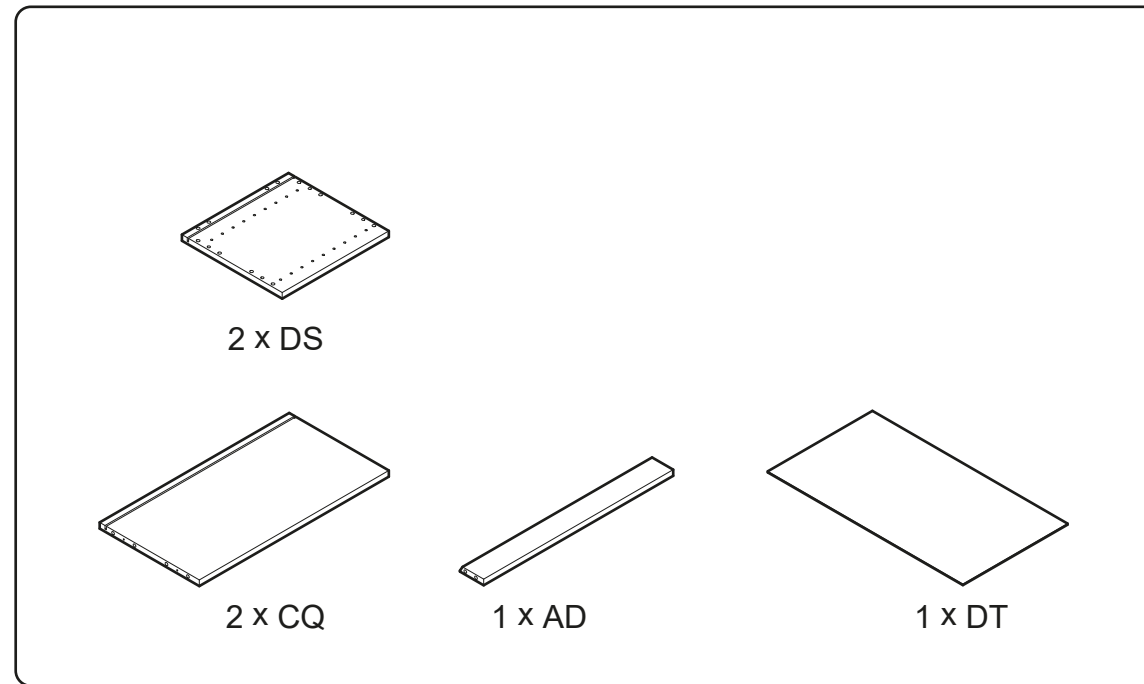
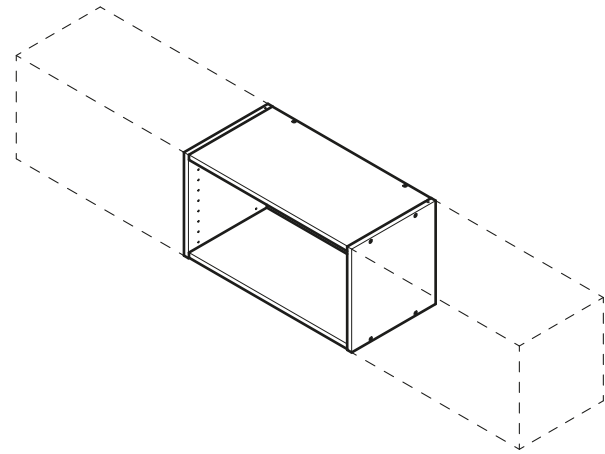


5

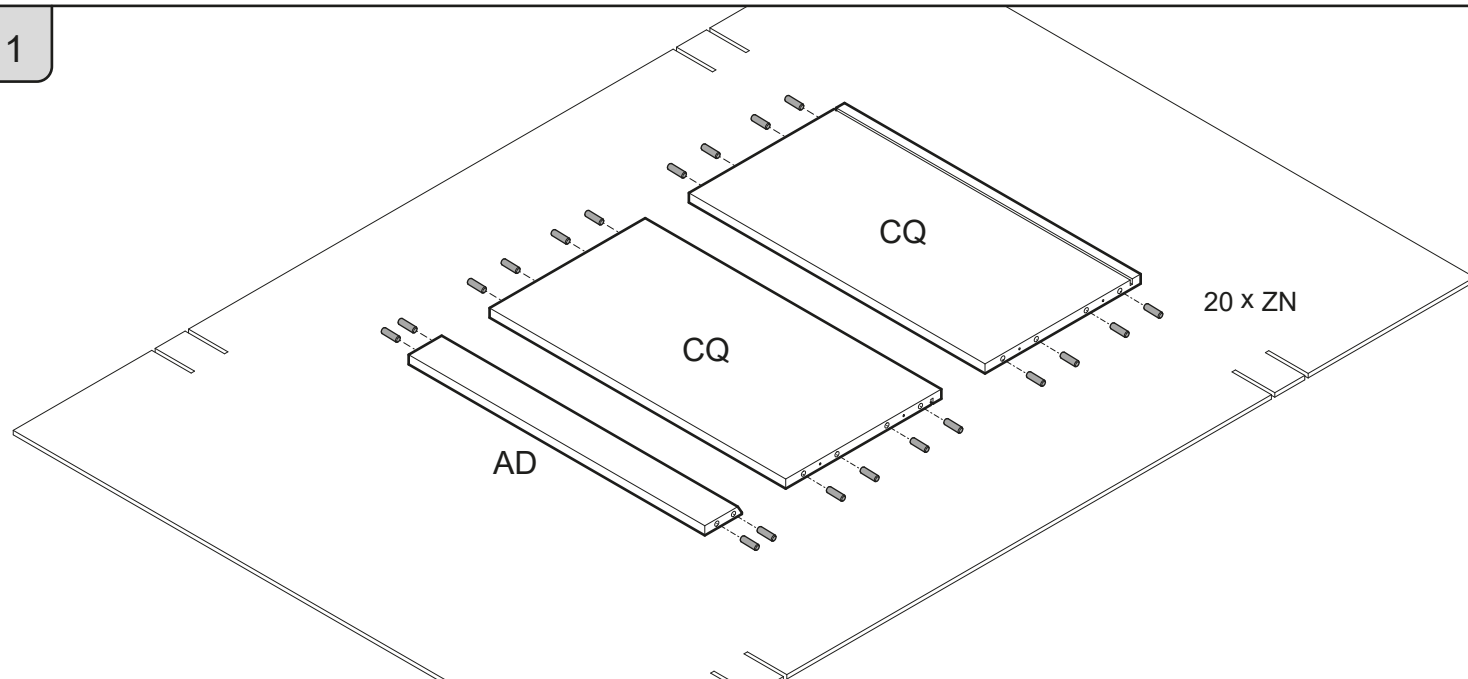


TSO2640  
 TSO2650  
 TSO2660  
 TSO3240  
 TSO3250  
 TSO3260  
 TSO3280  
 TSO32100  
 TSO3540  
 TSO3550  
 TSO3560  
 TSO3580  
 TSO35100

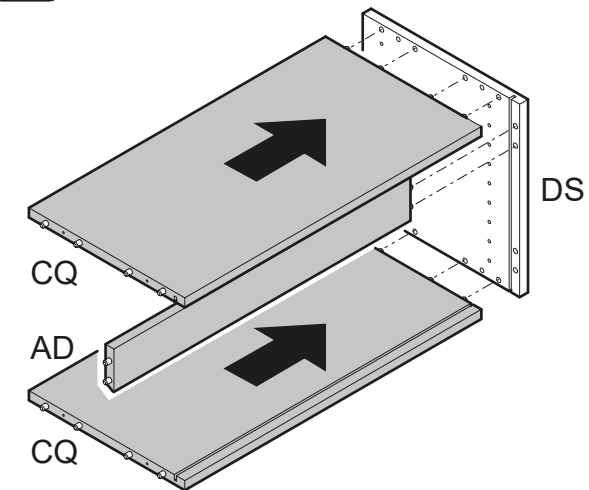
SV017



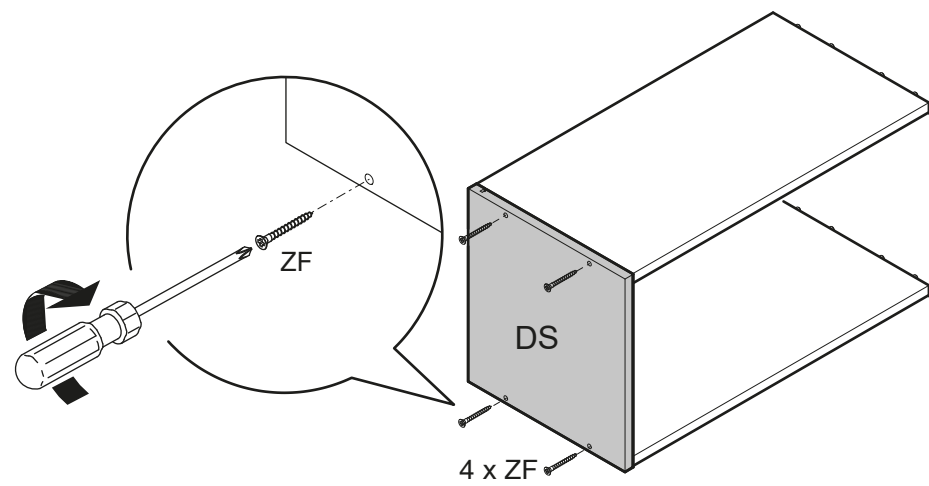
1



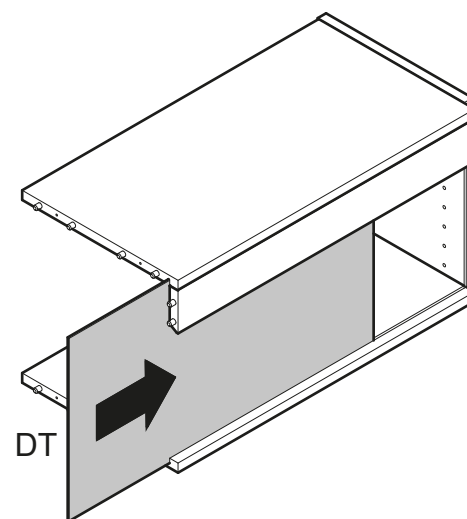
2



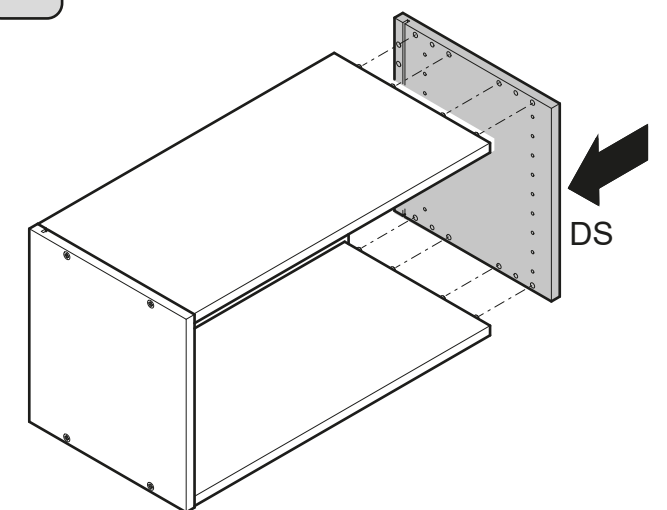
3



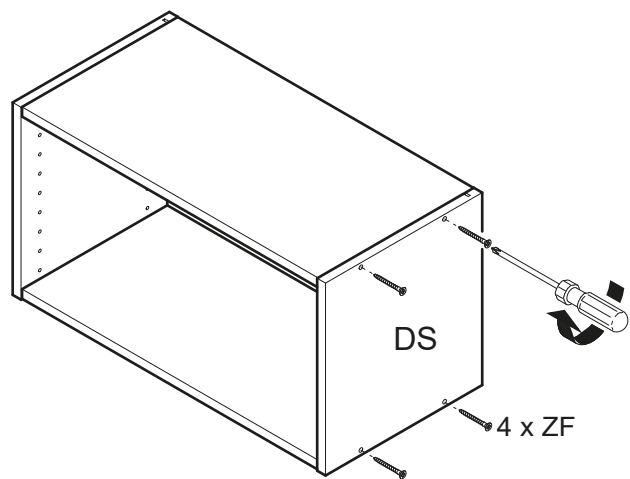
4



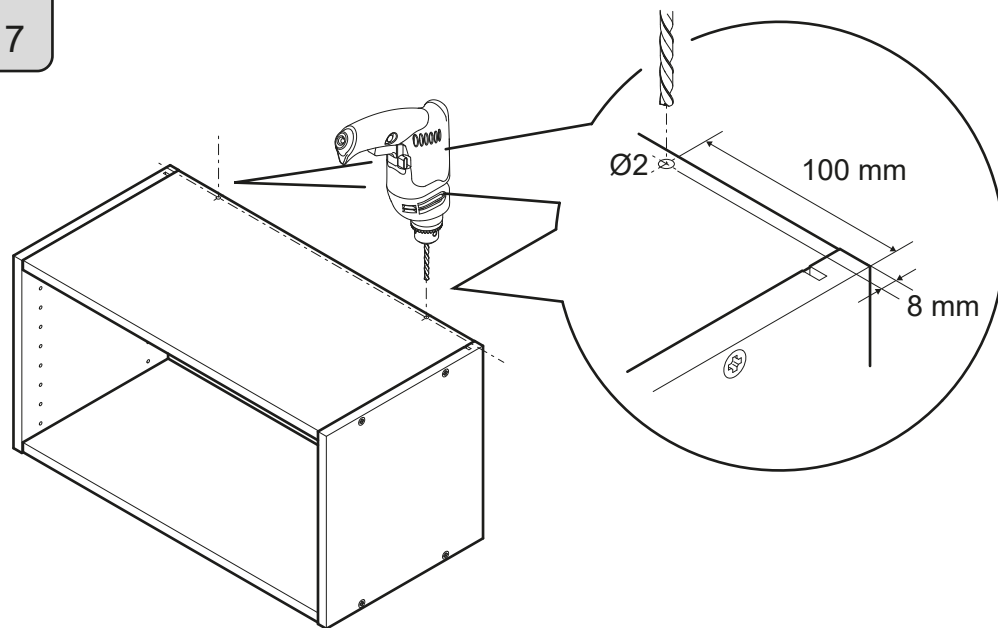
5



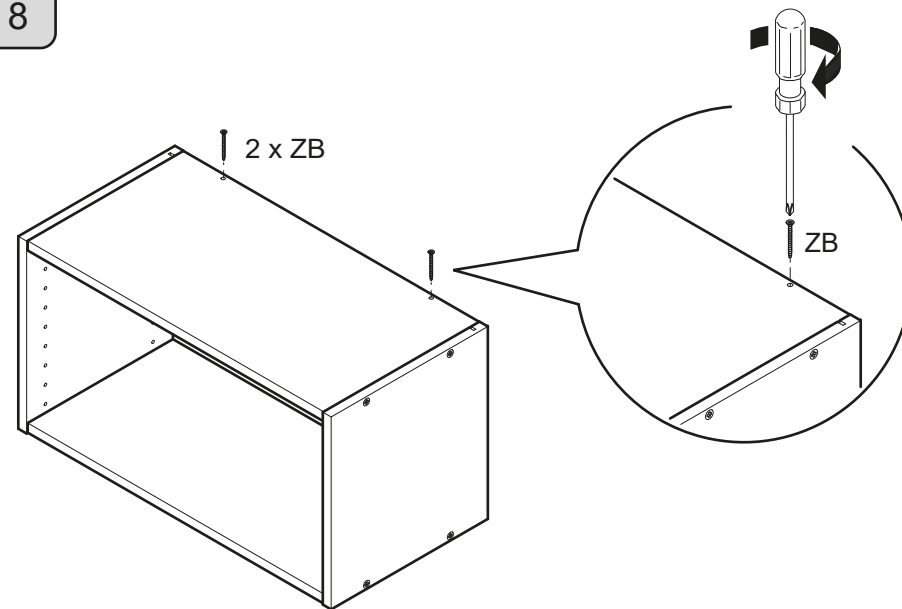
6



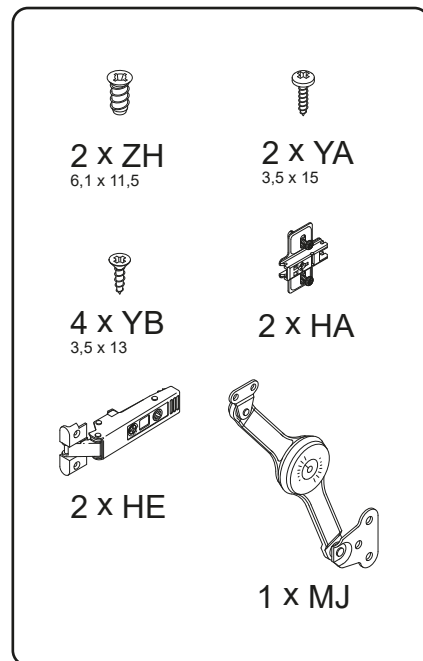
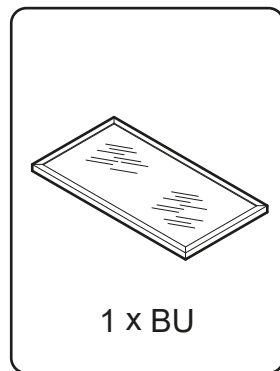
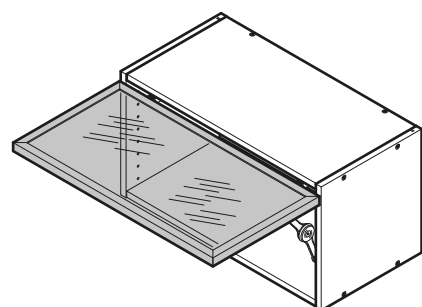
7



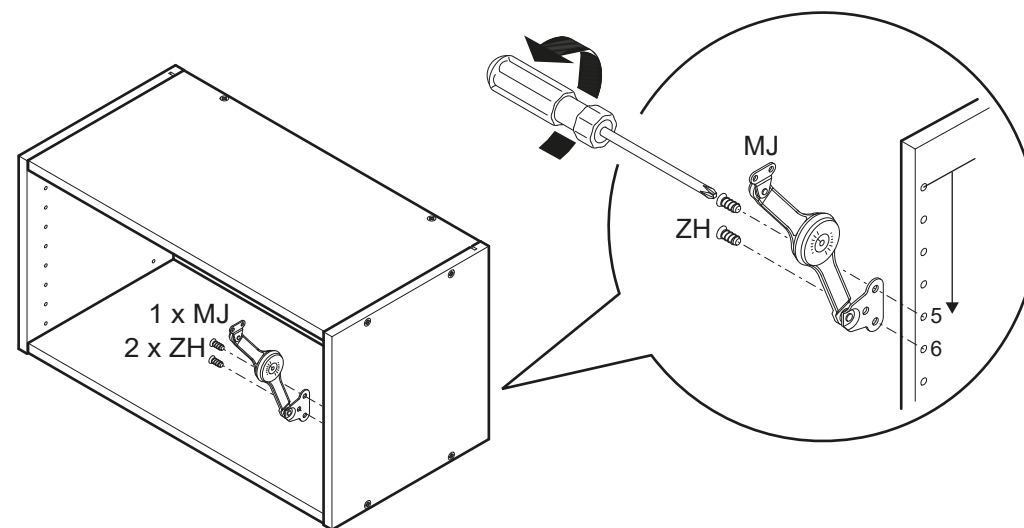
8



VTO324-  
VTO325-  
VTO326-  
VTO328-  
VTO3210-  
VTO354-  
VTO355-  
VTO356-  
VTO358-  
VTO3510-



9

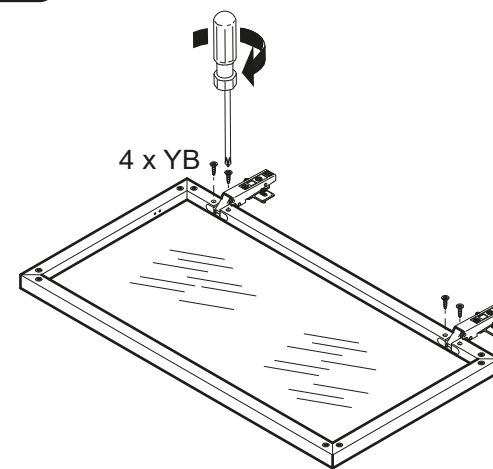
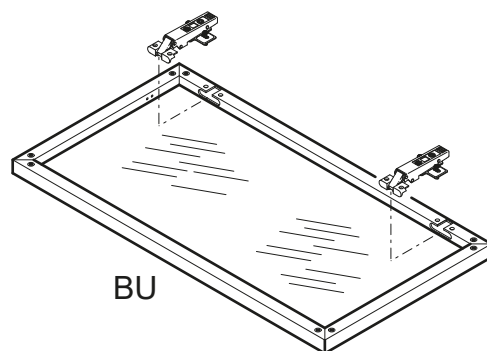
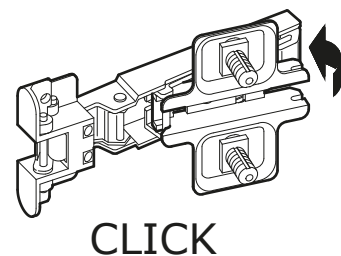
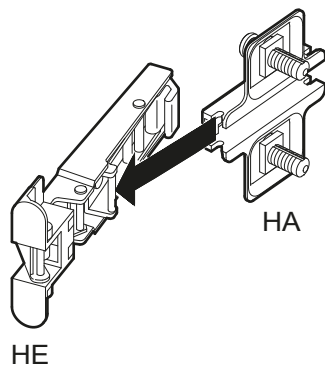


10a

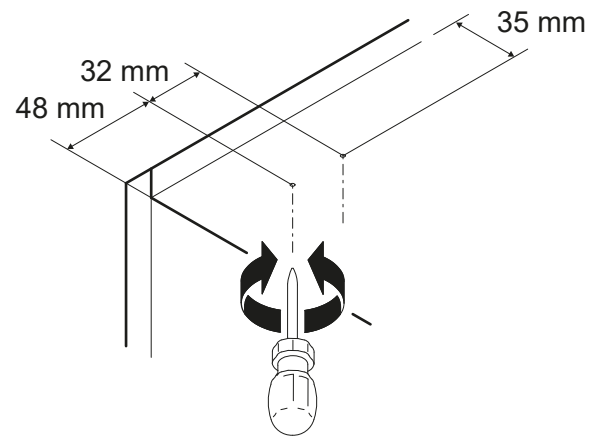
10b

11

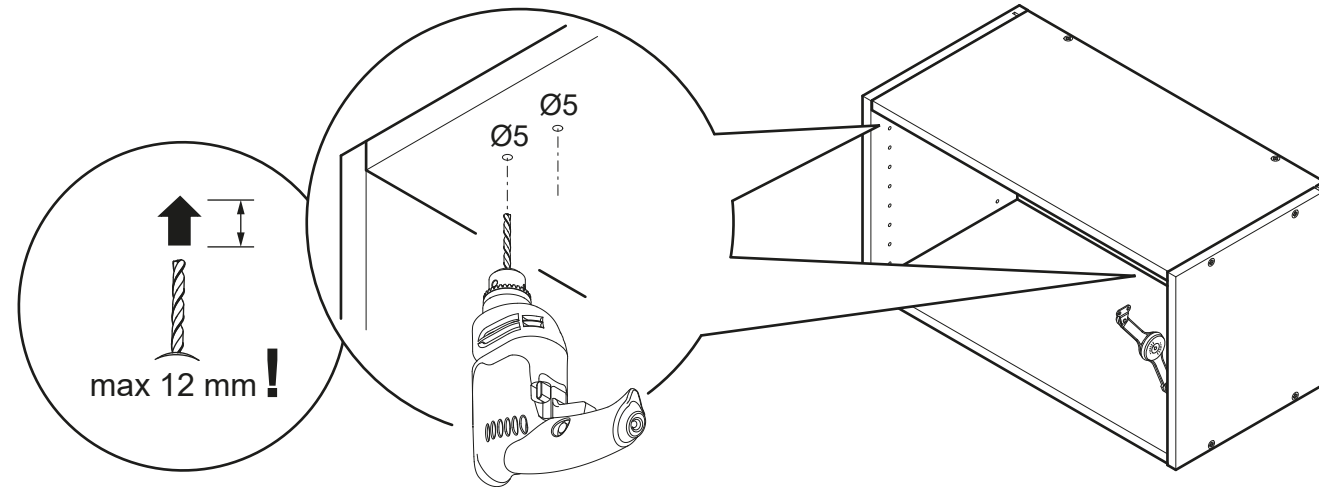
12



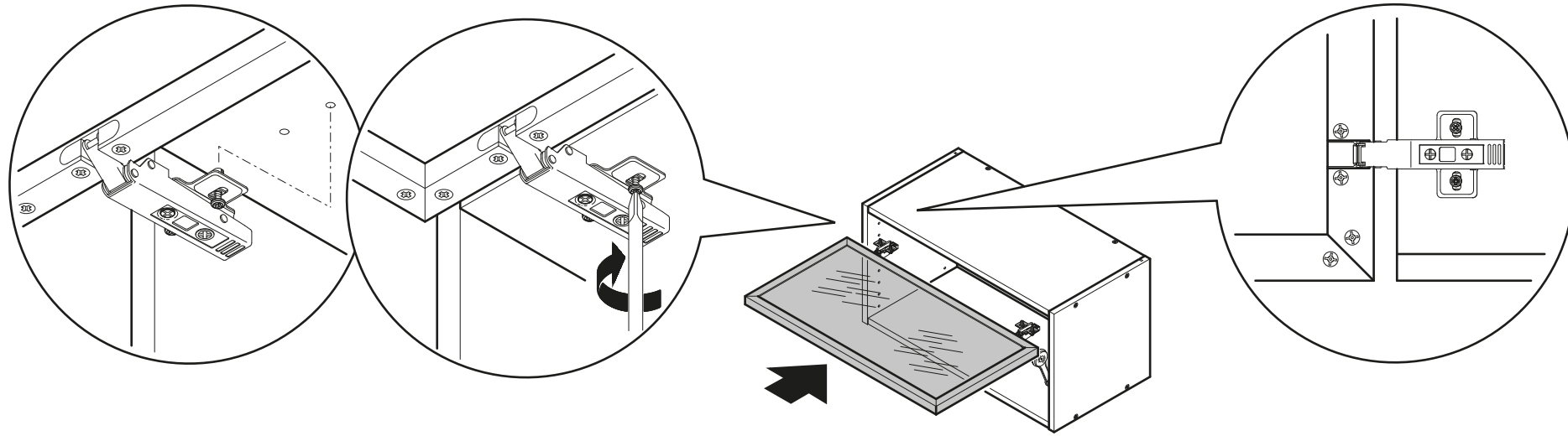
13



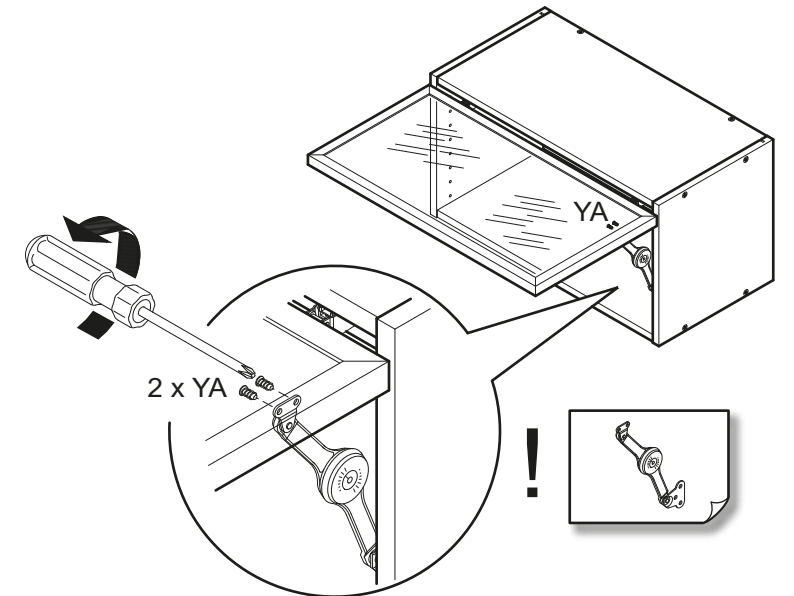
14



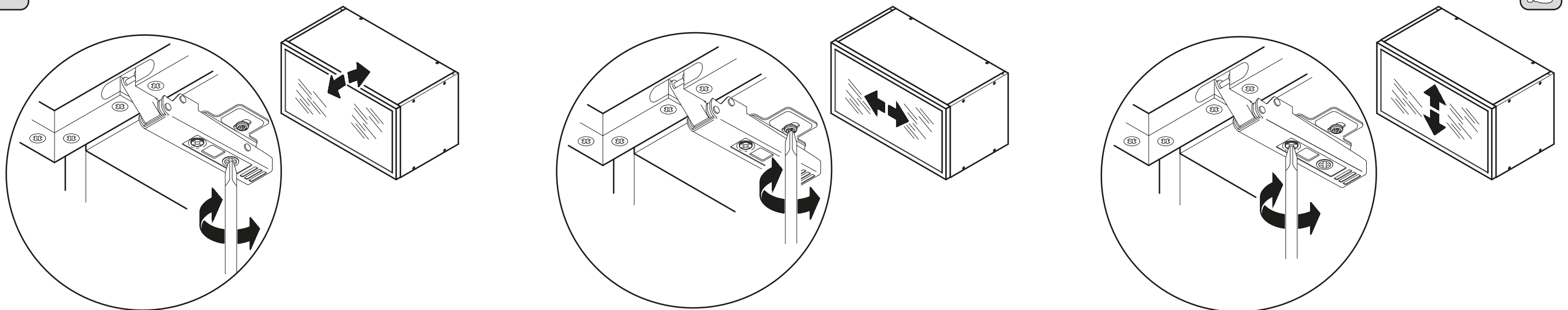
15



16



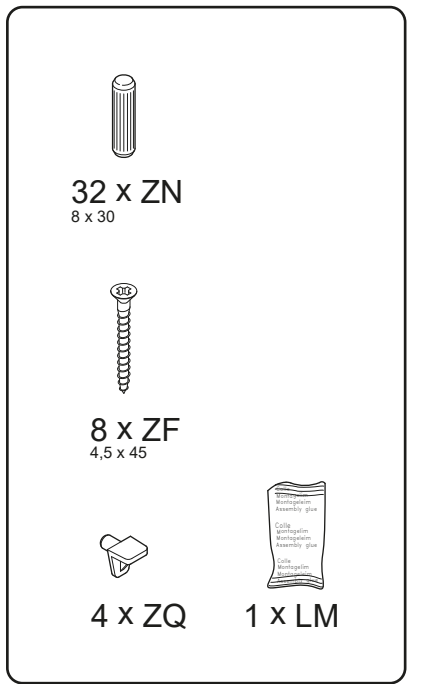
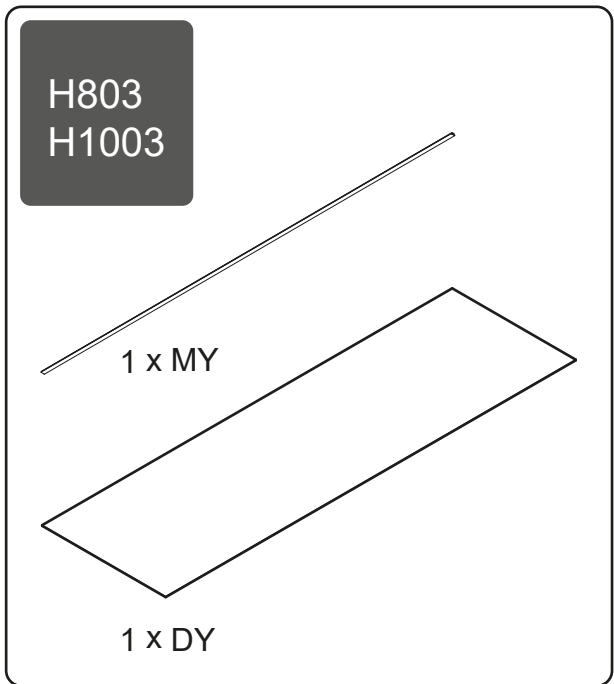
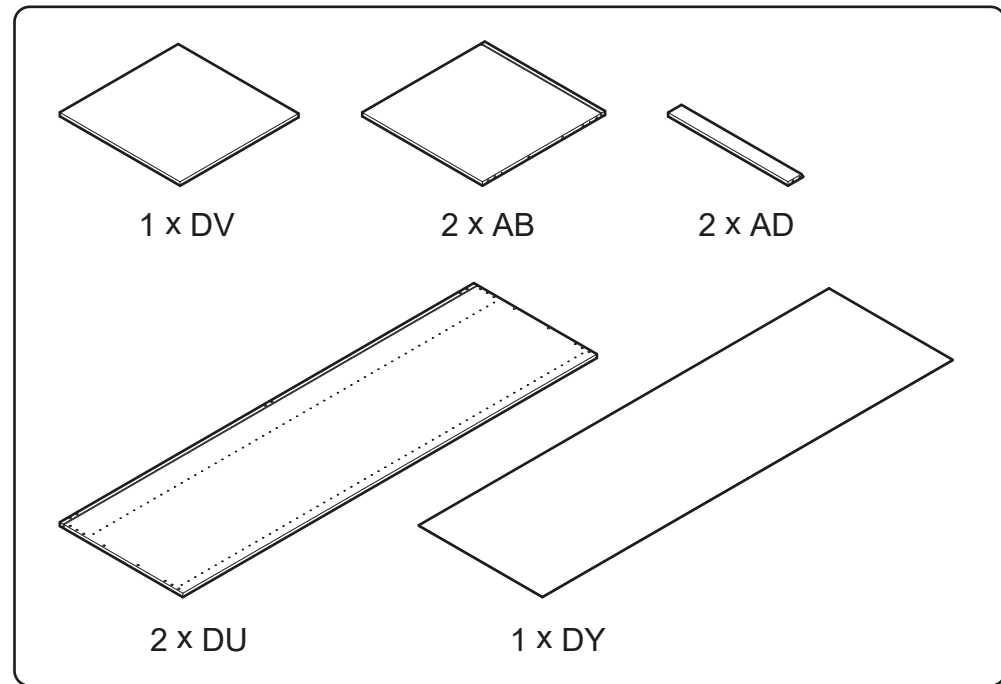
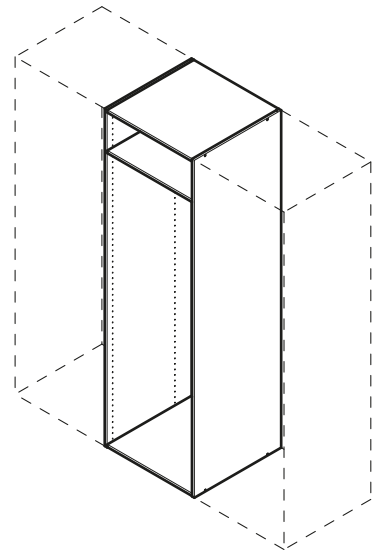
17



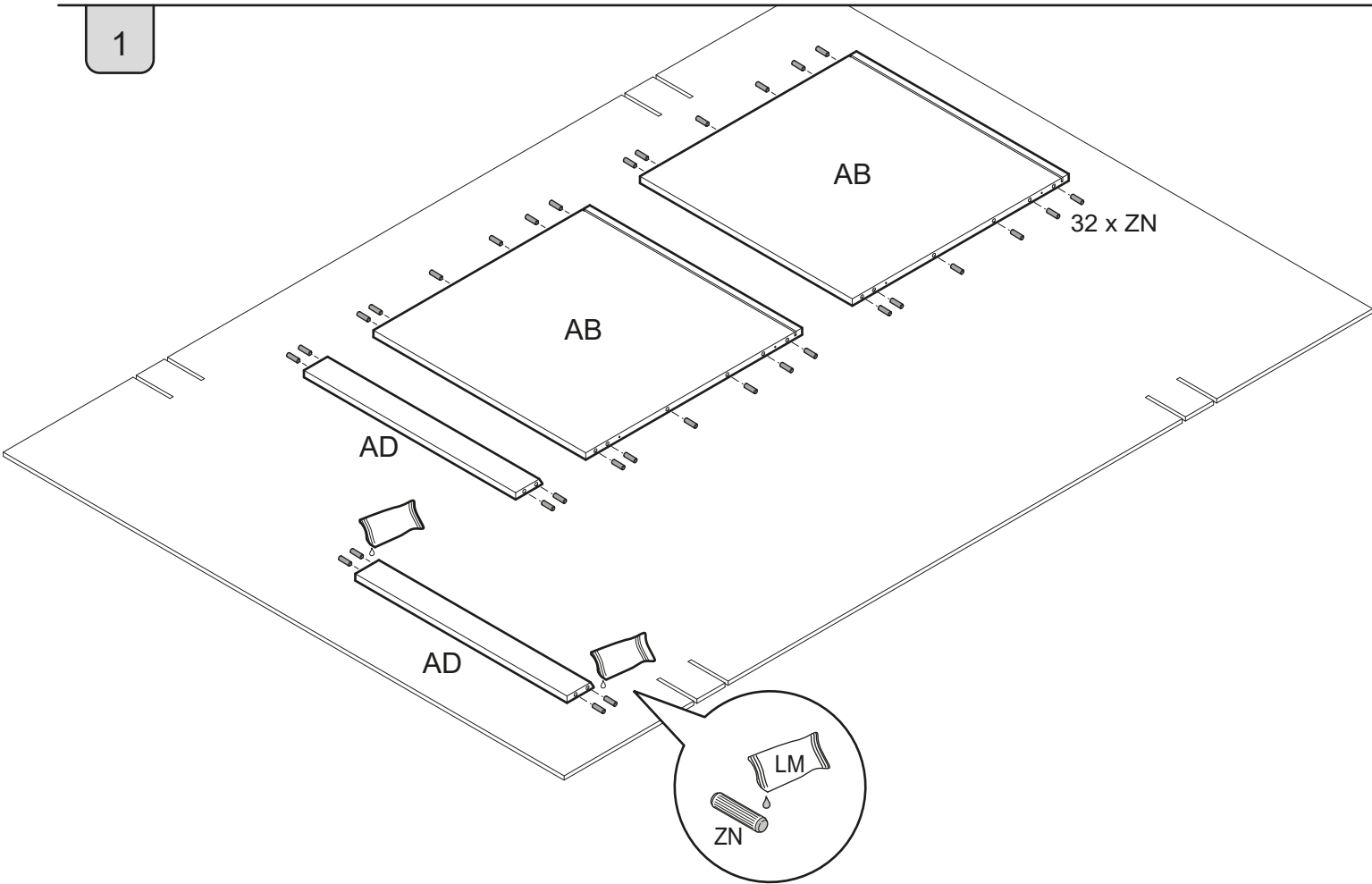


H403  
H503  
H603  
H803  
H1003  
HH403  
HH503  
HH603

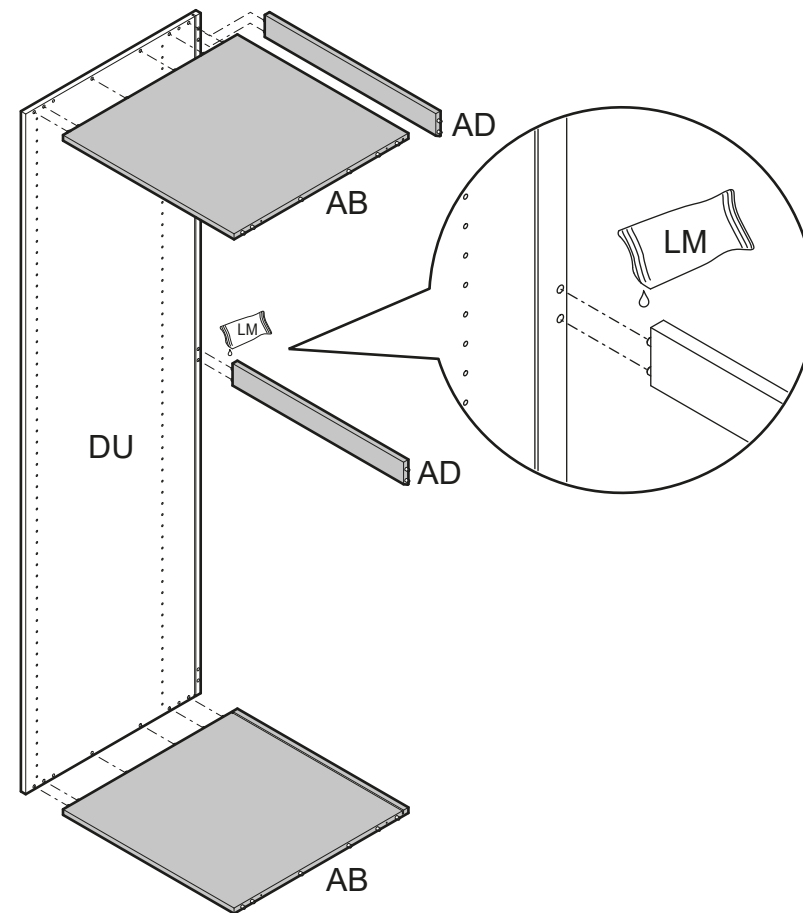
SV018



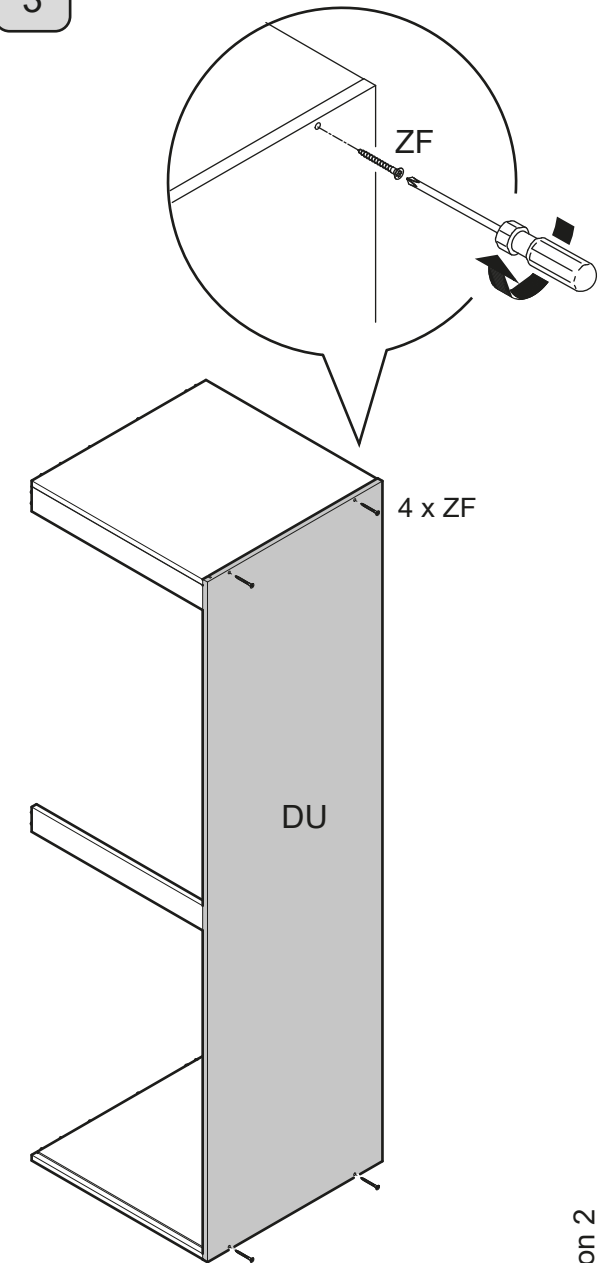
1



2

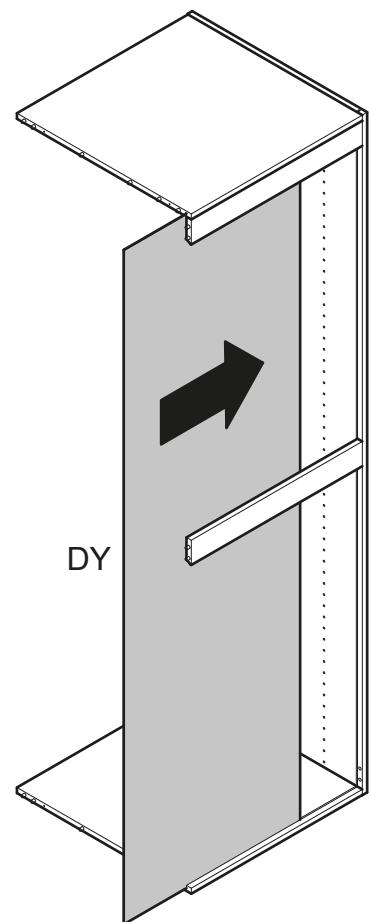


3

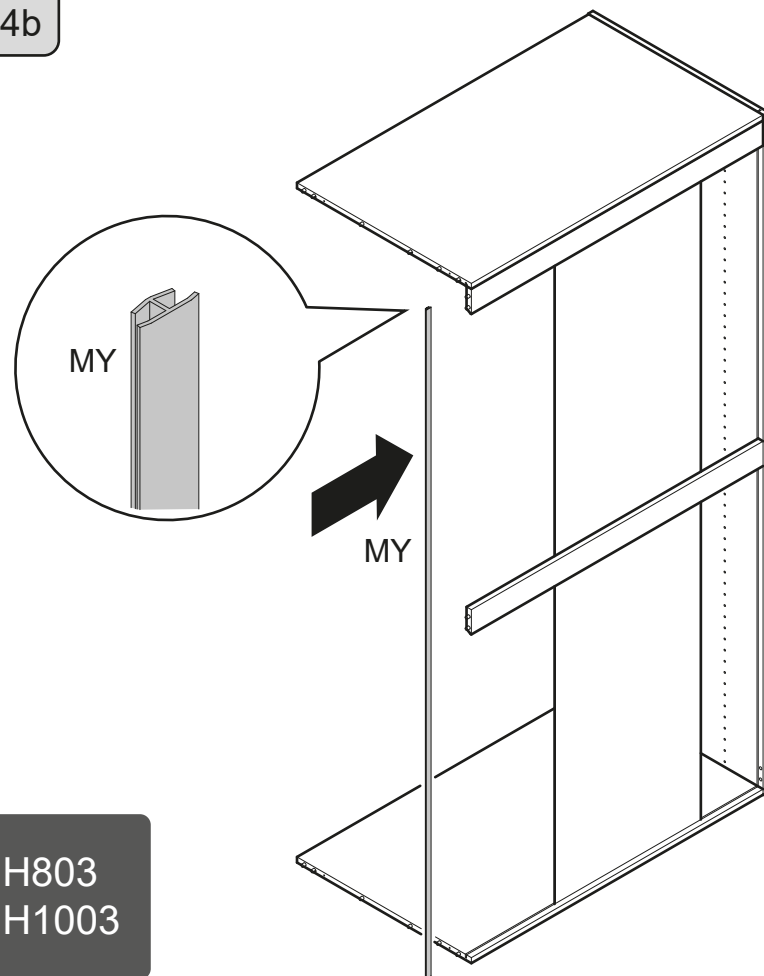




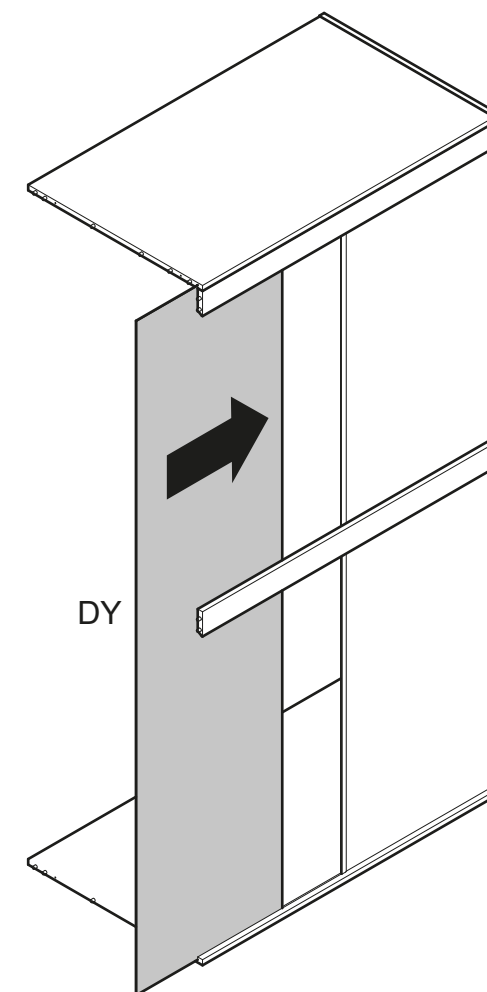
4a



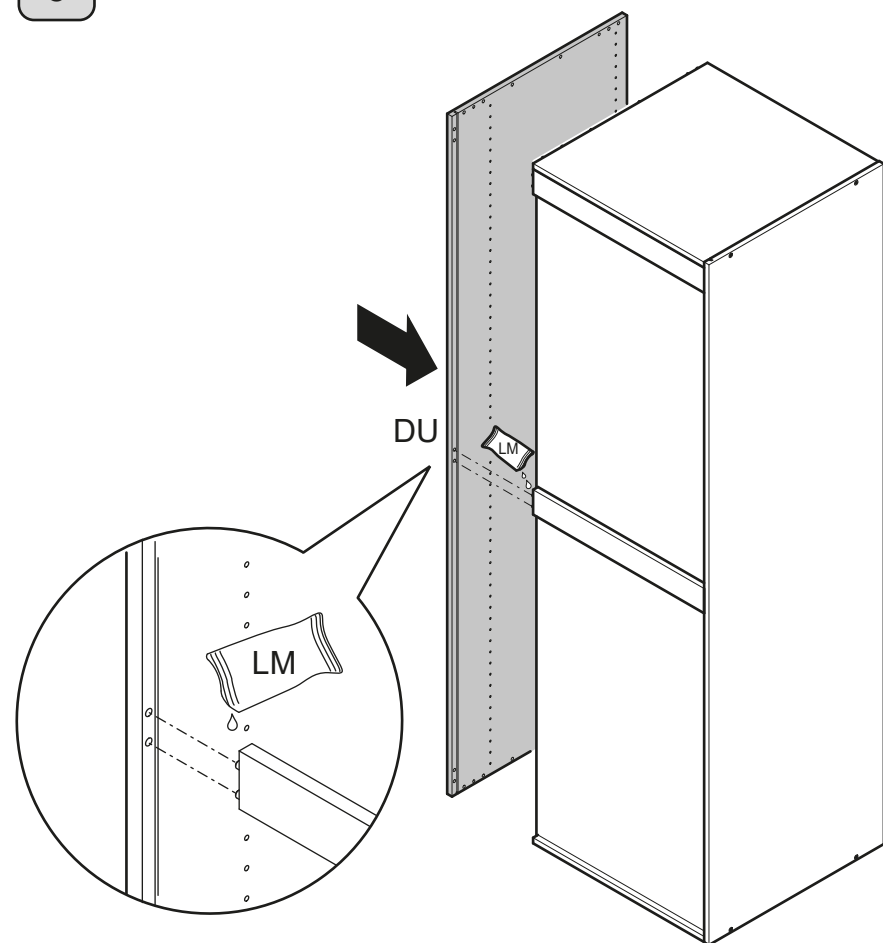
4b



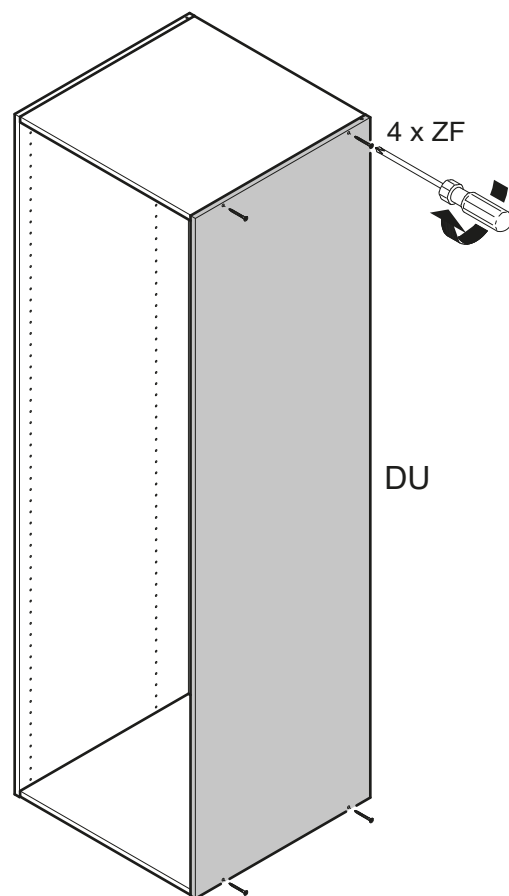
4c



5

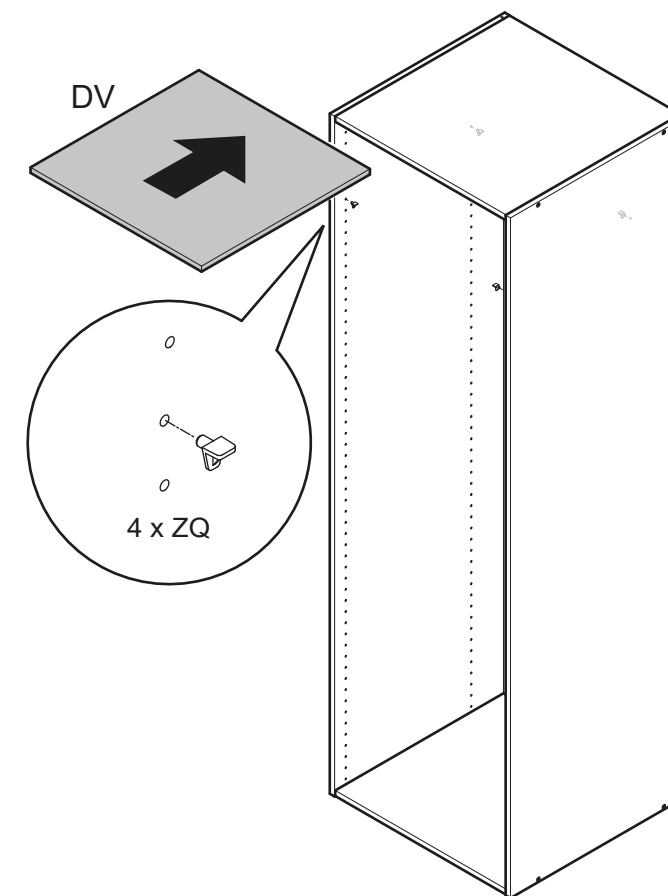


6



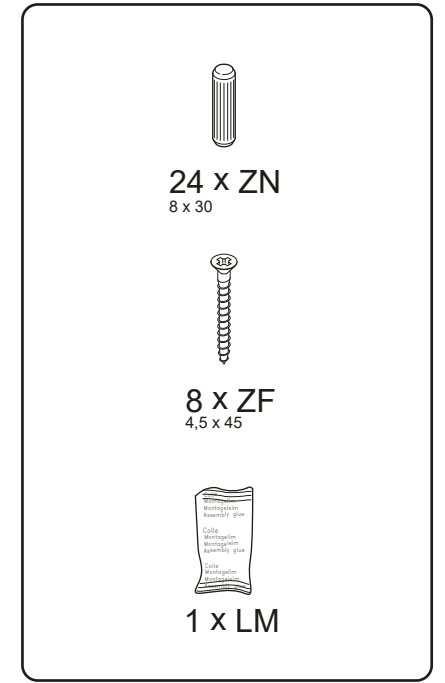
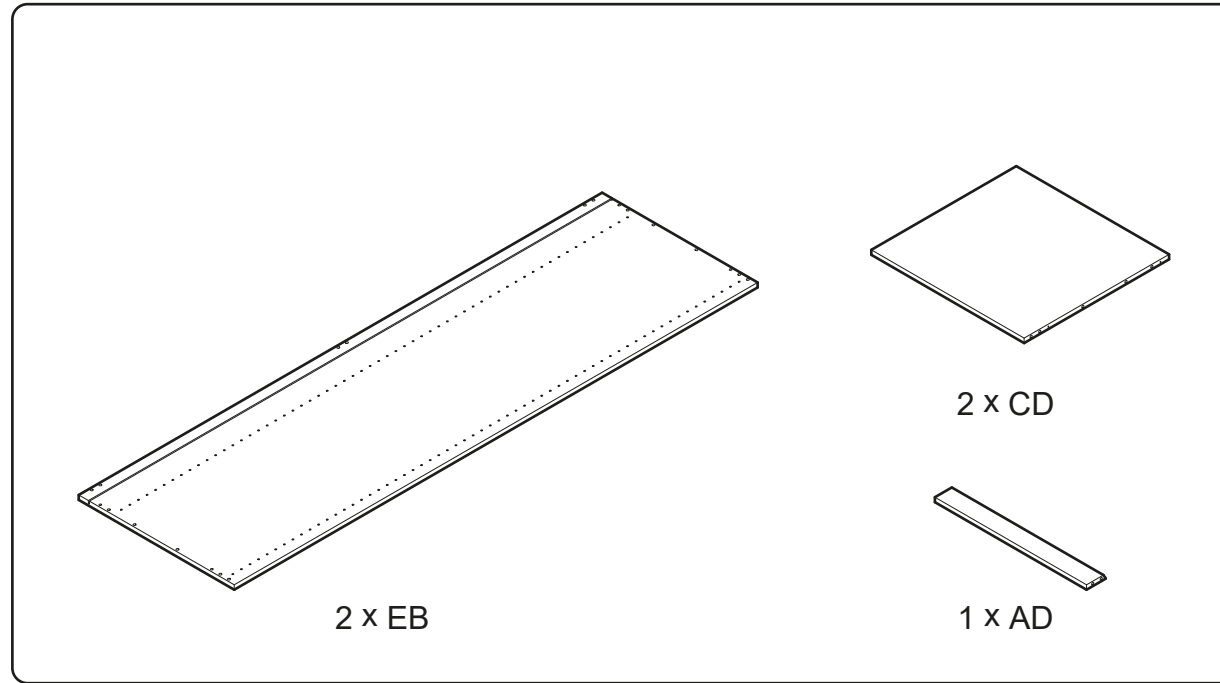
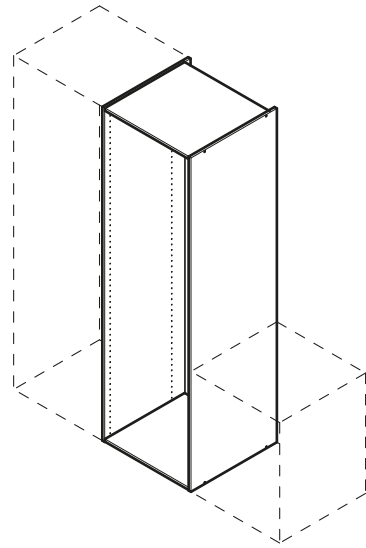
2 / 2 SV018

7



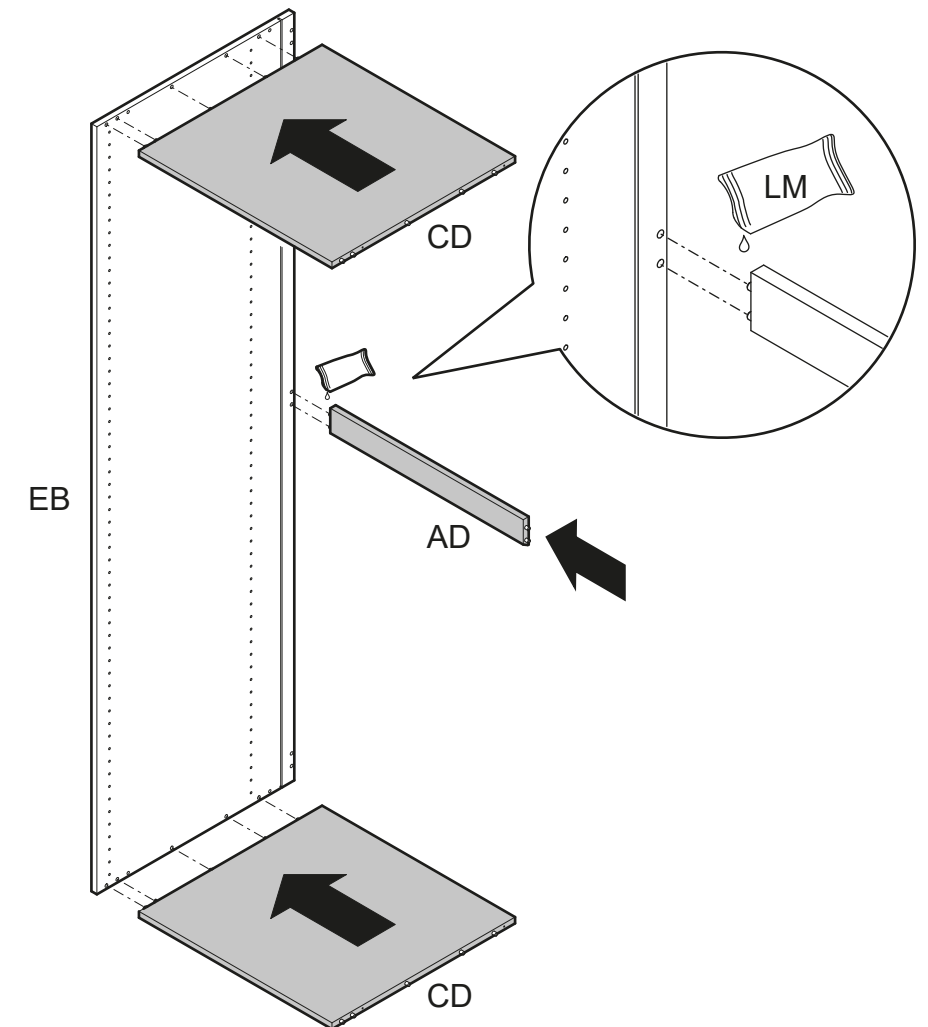
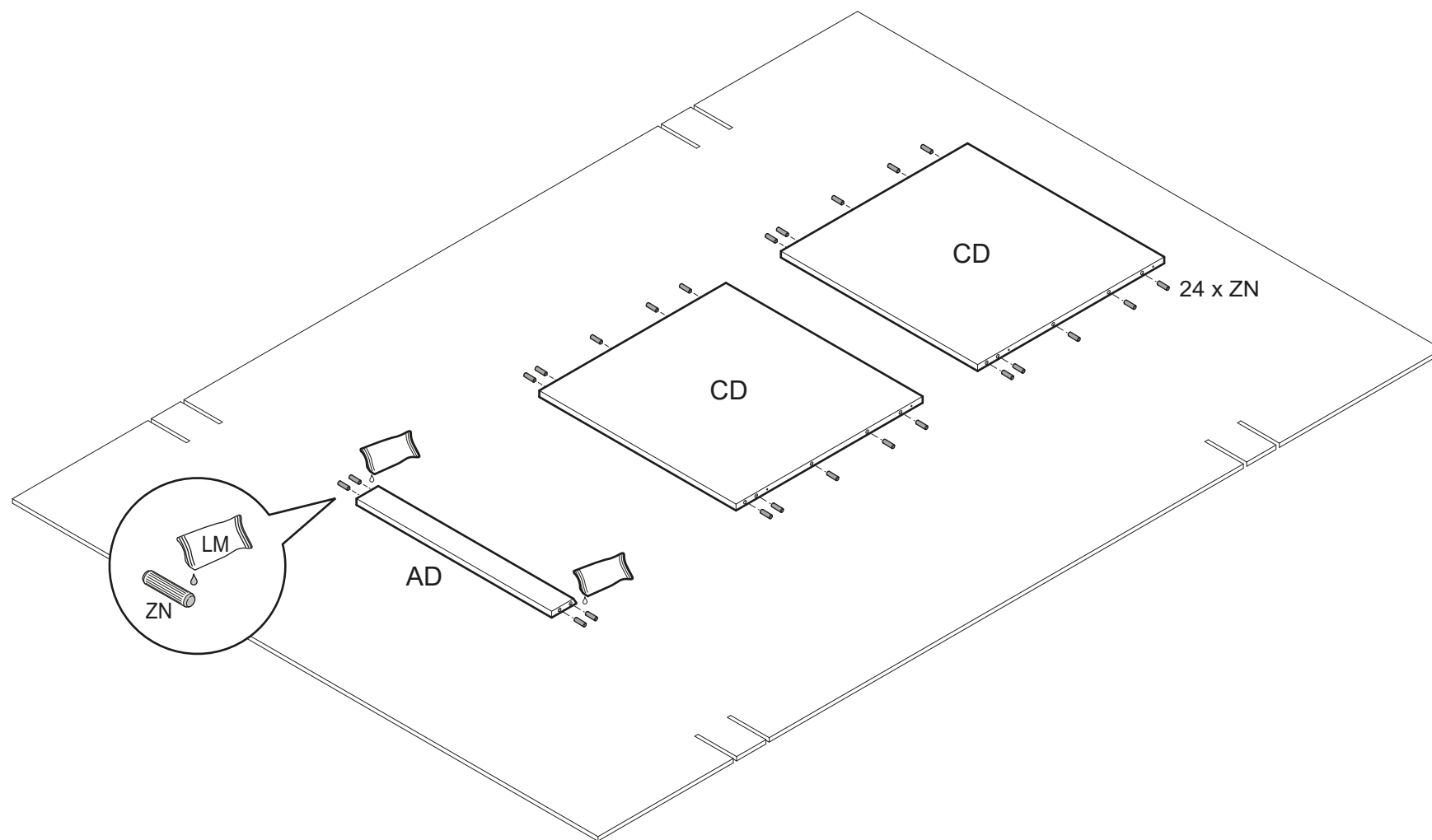
TH60  
TH63  
THH60  
THH63

SV020

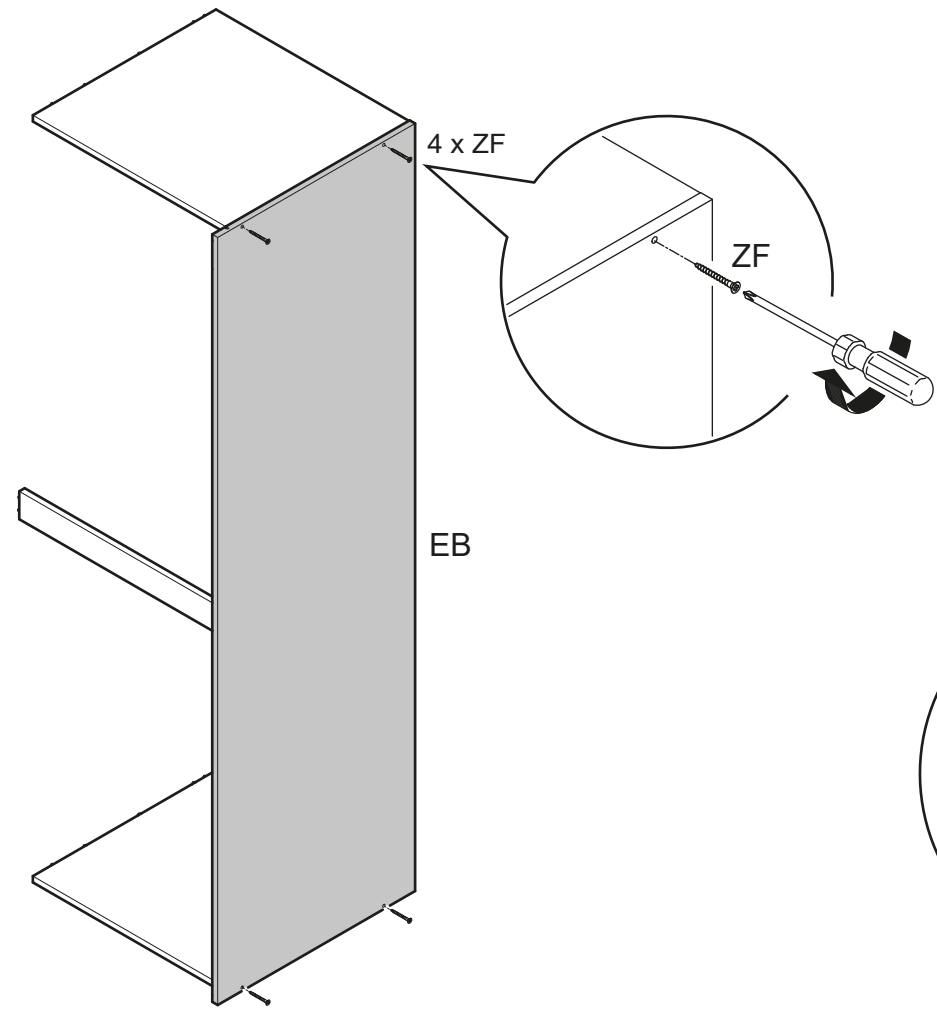


1

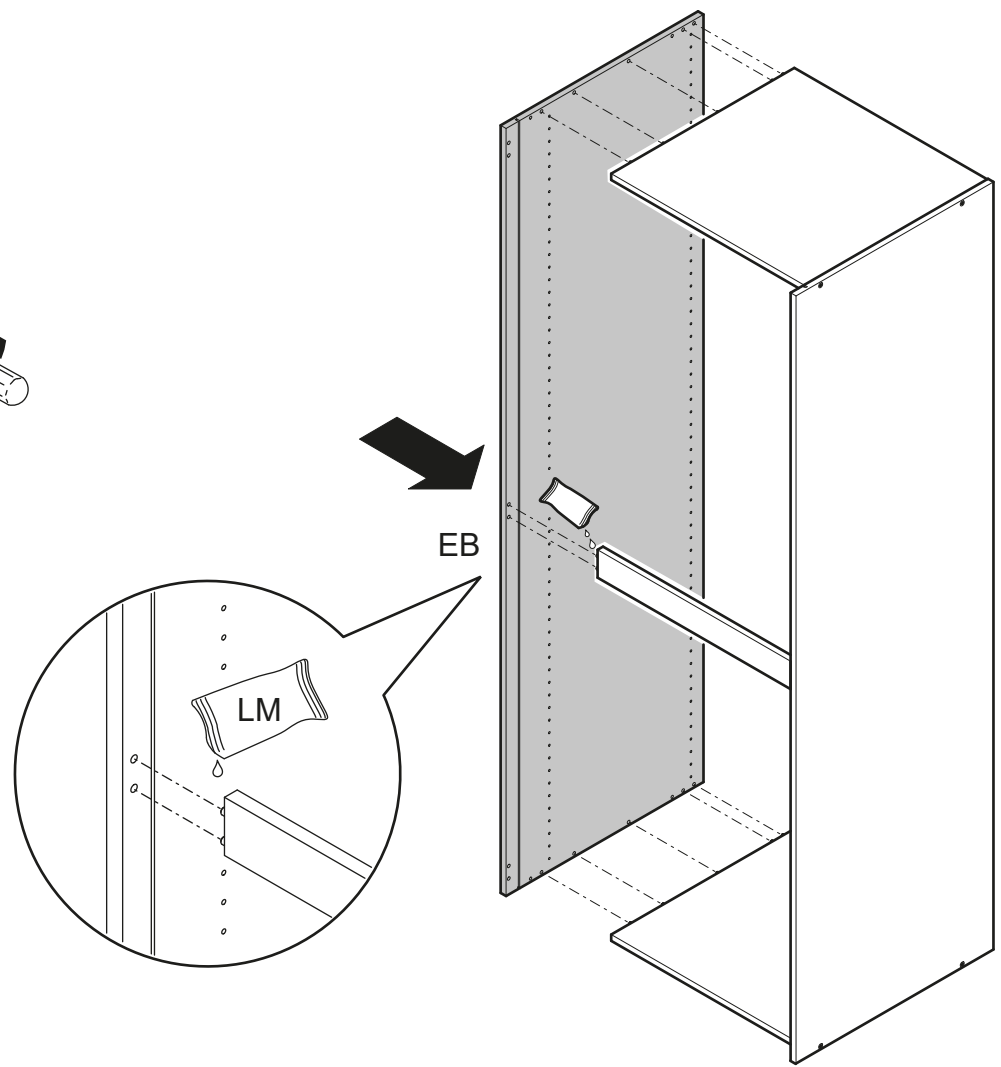
2



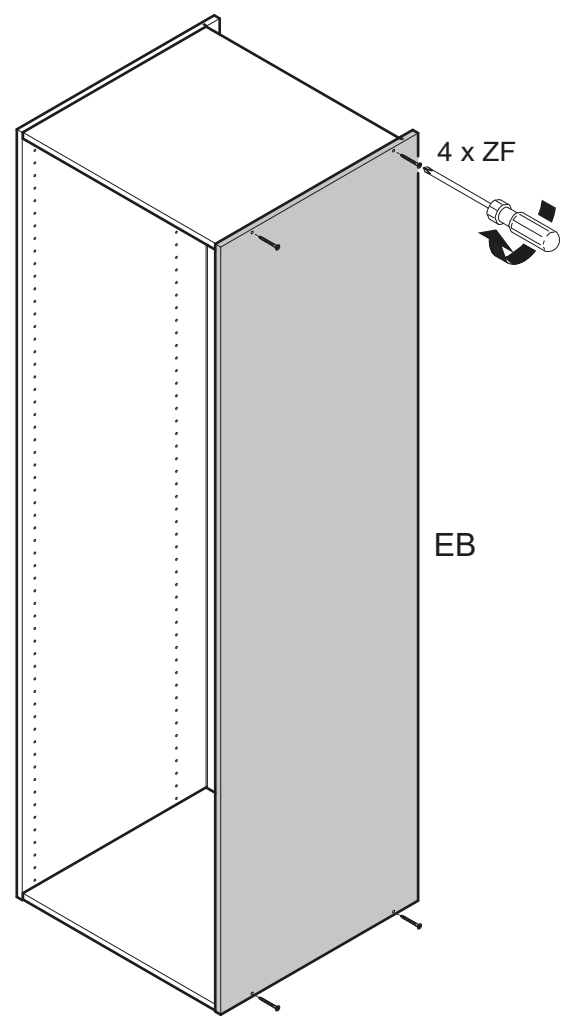
3



4

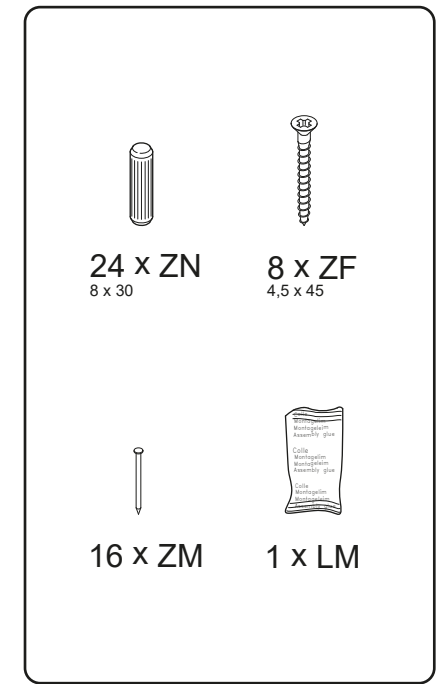
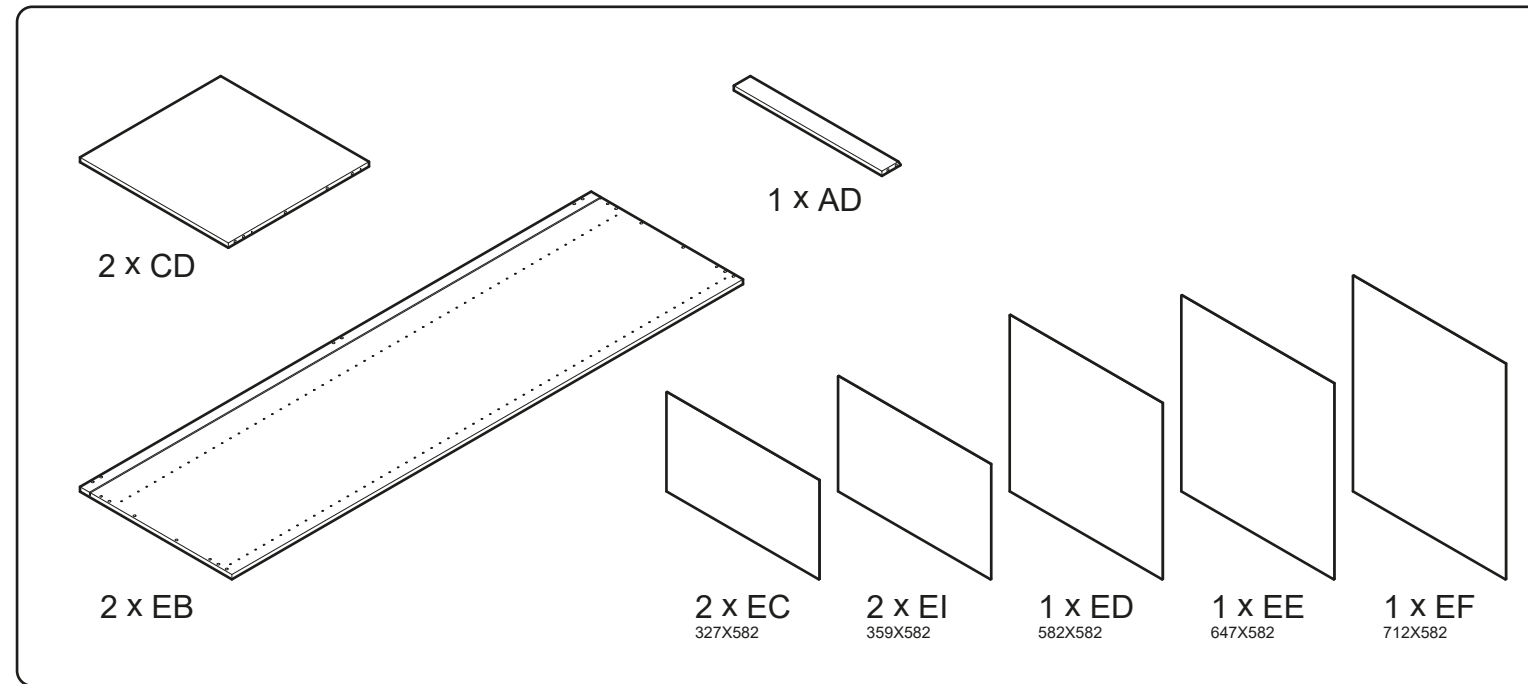
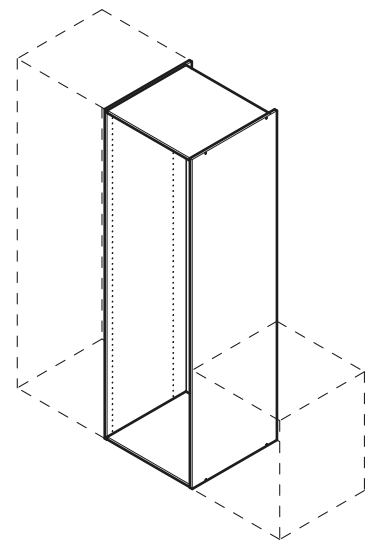


5



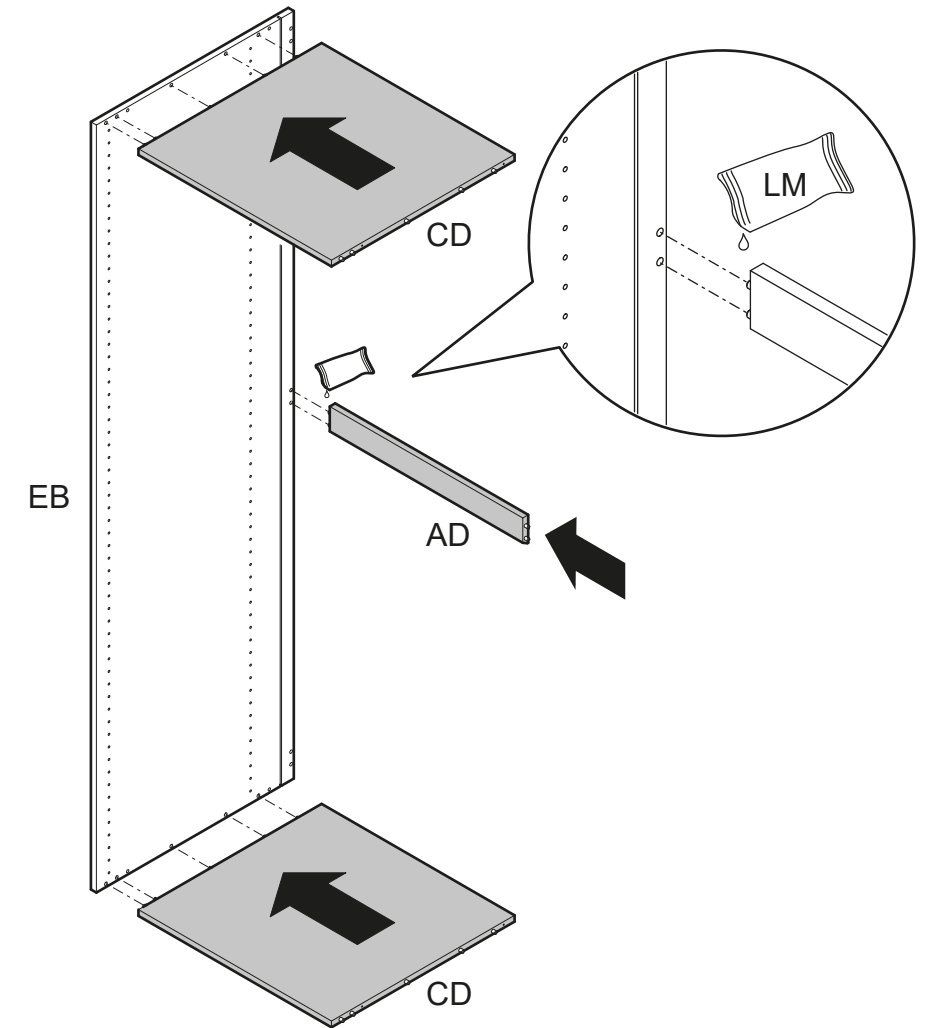
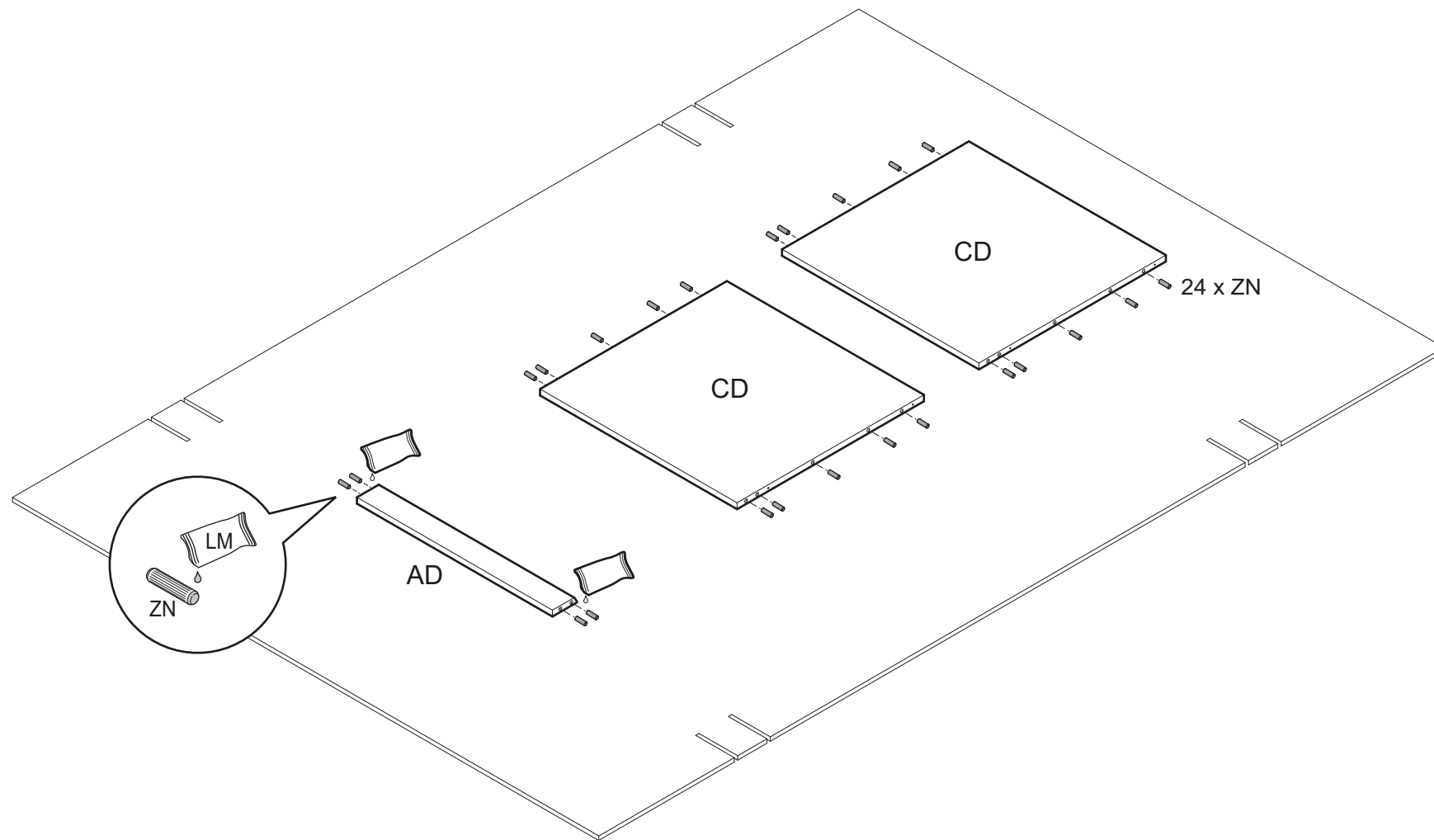
HOK60

SV021

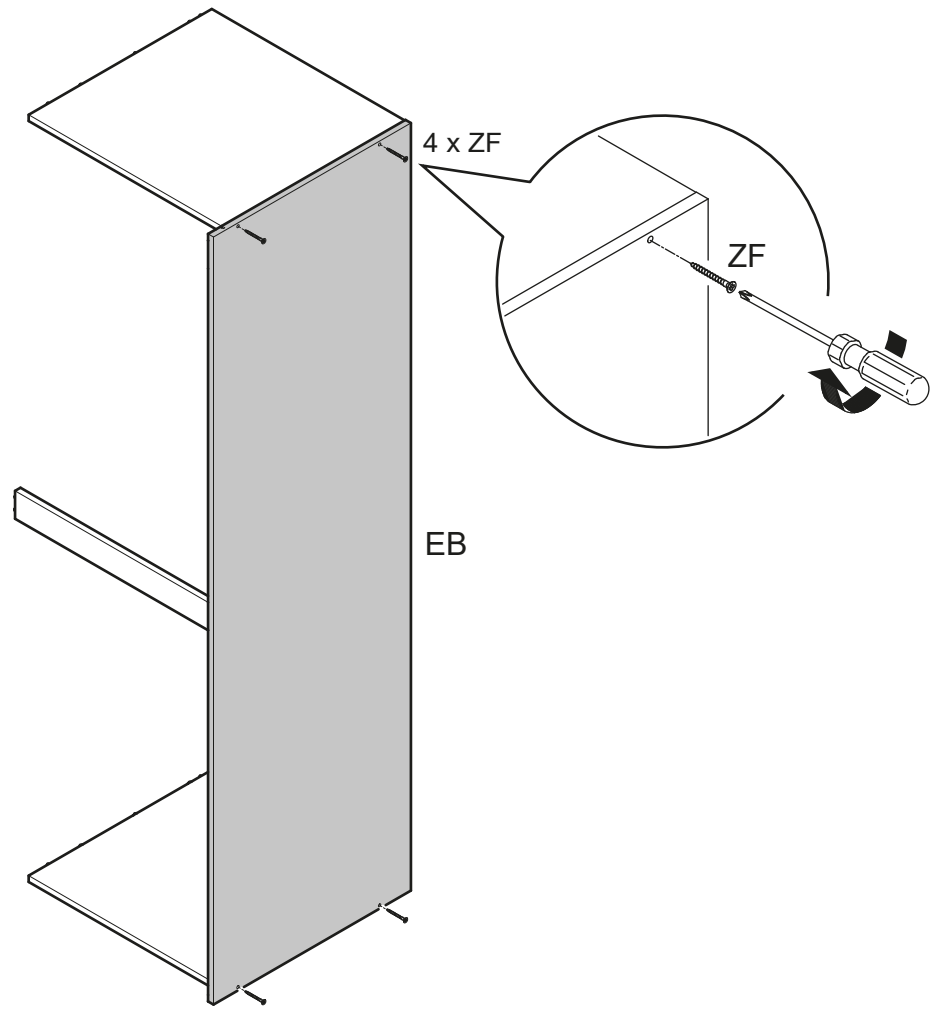


1

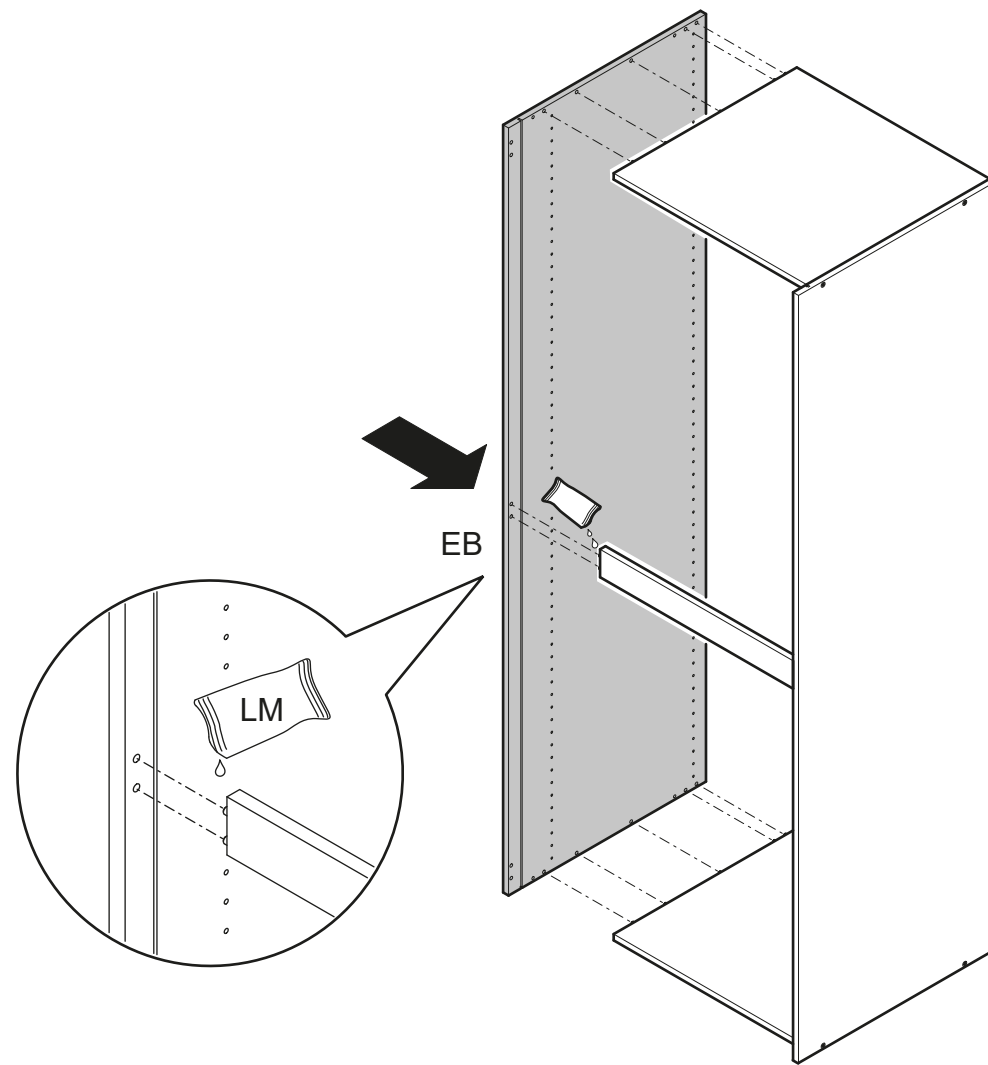
2



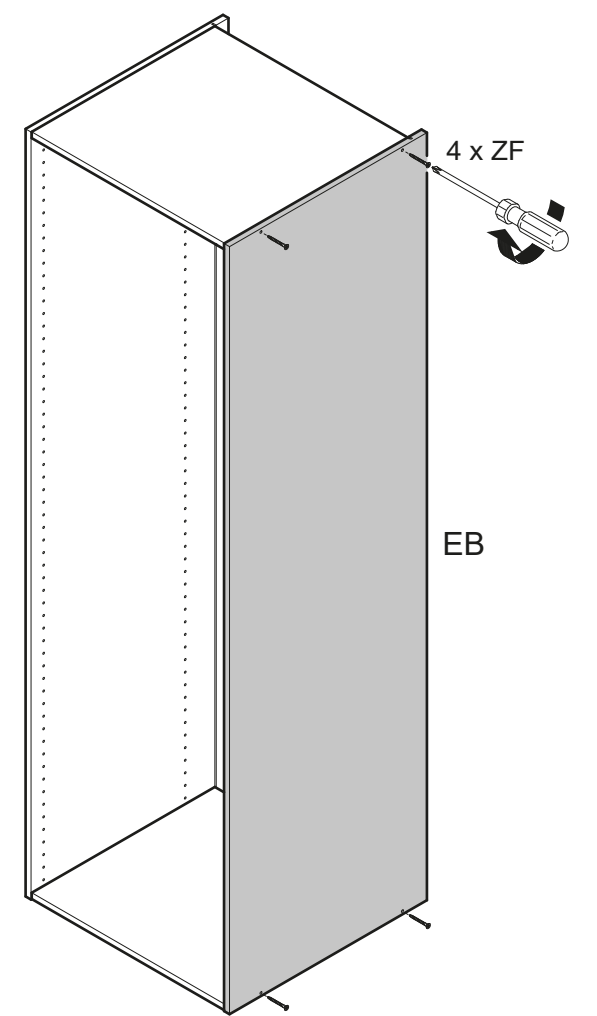
3



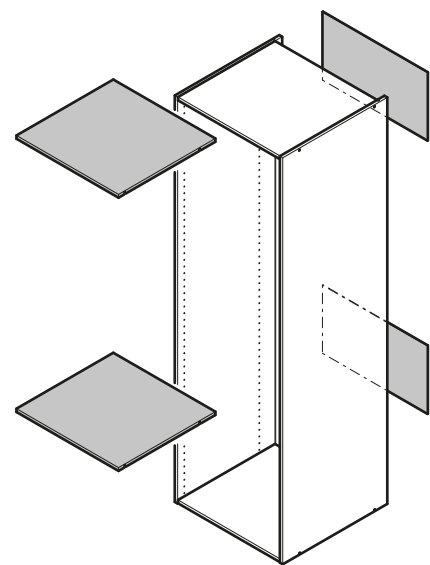
4



5

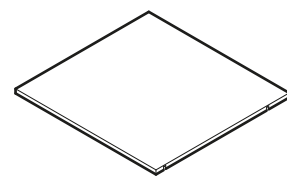


HK611-  
HKT60-  
HKT61-  
HOTH64  
HOT61-  
HOT64-  
HOT65-  
HOT66-  
HO61-  
HO63-  
HO62-



HKT60

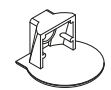
KH601  
KH602



2 x EG



8 x MK

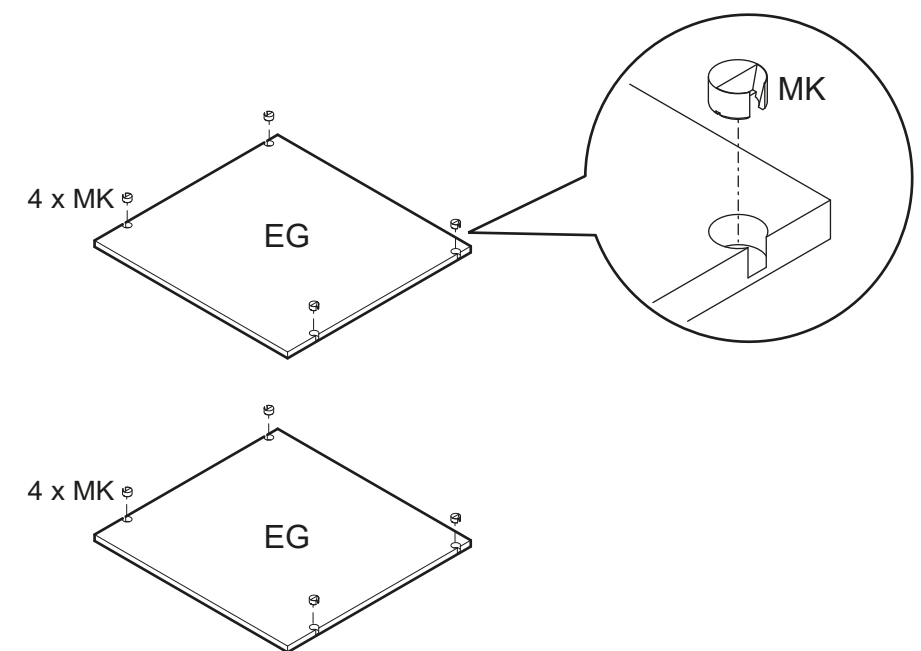


8 x MM

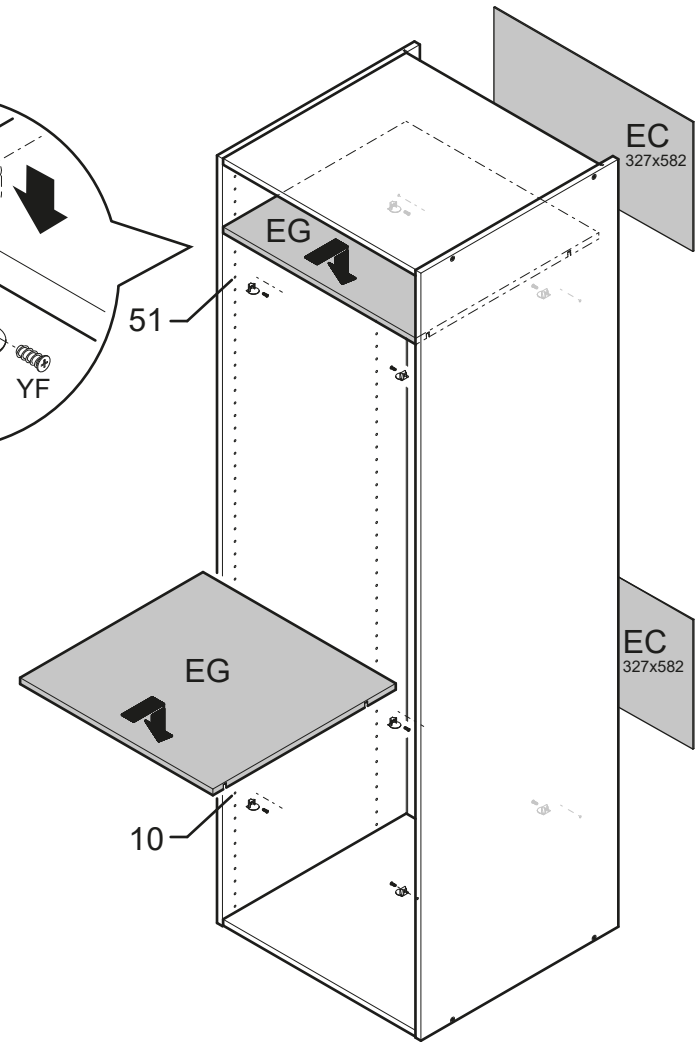
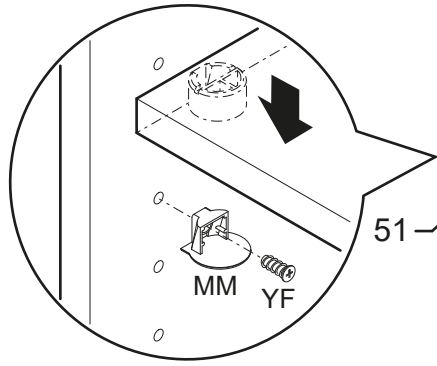


4 x YF  
6,3 x 14,5

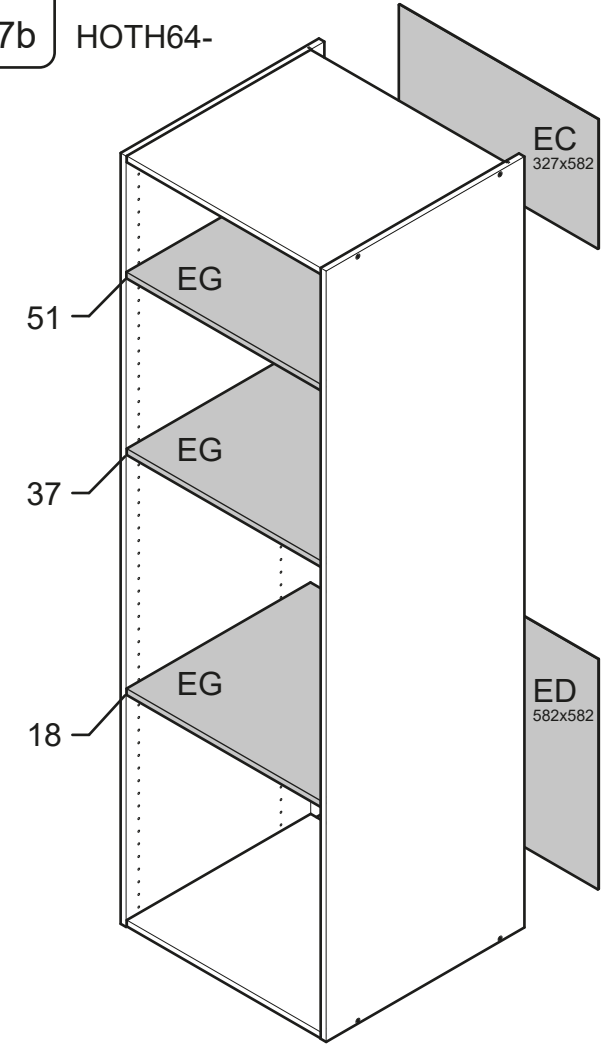
6



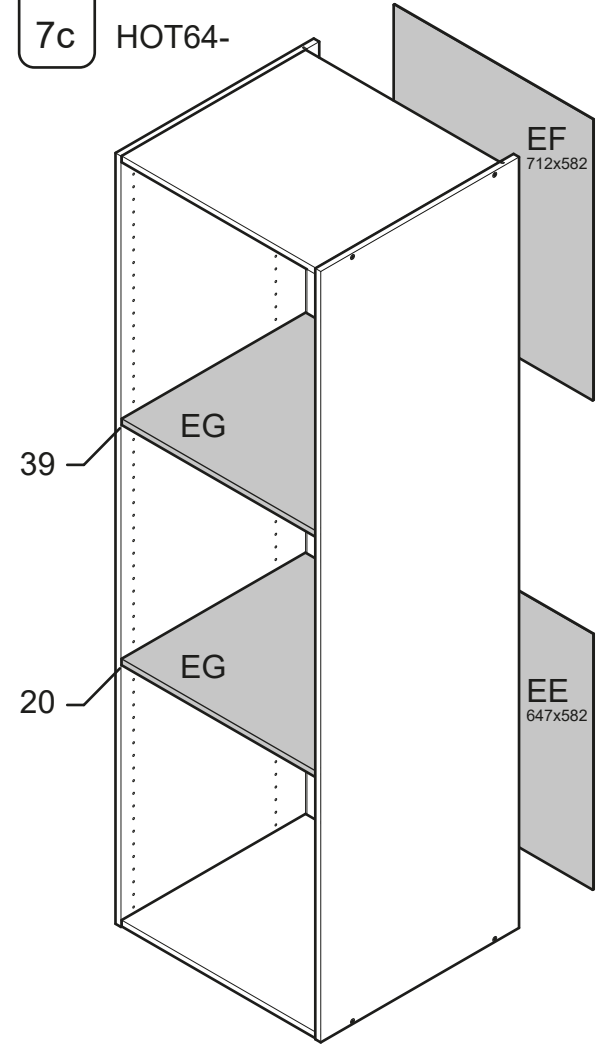
7a HKT60-



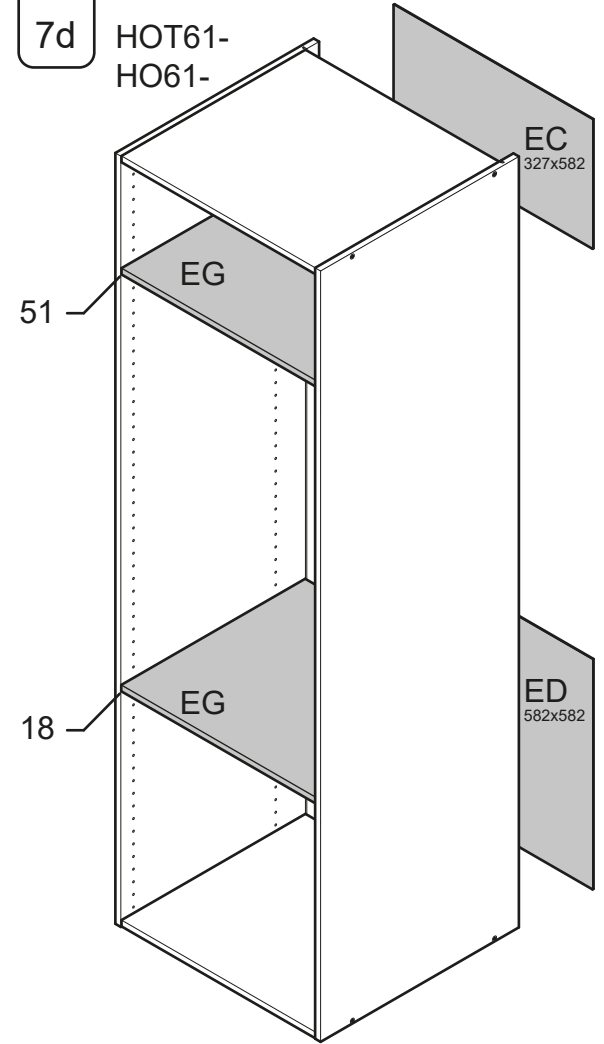
7b HOTH64-



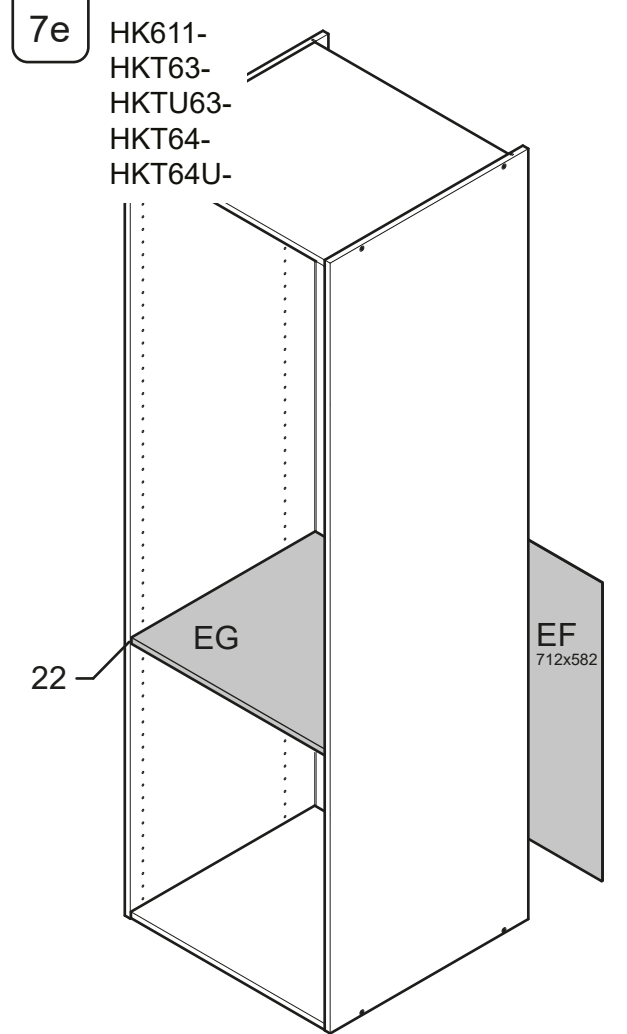
7c HOT64-



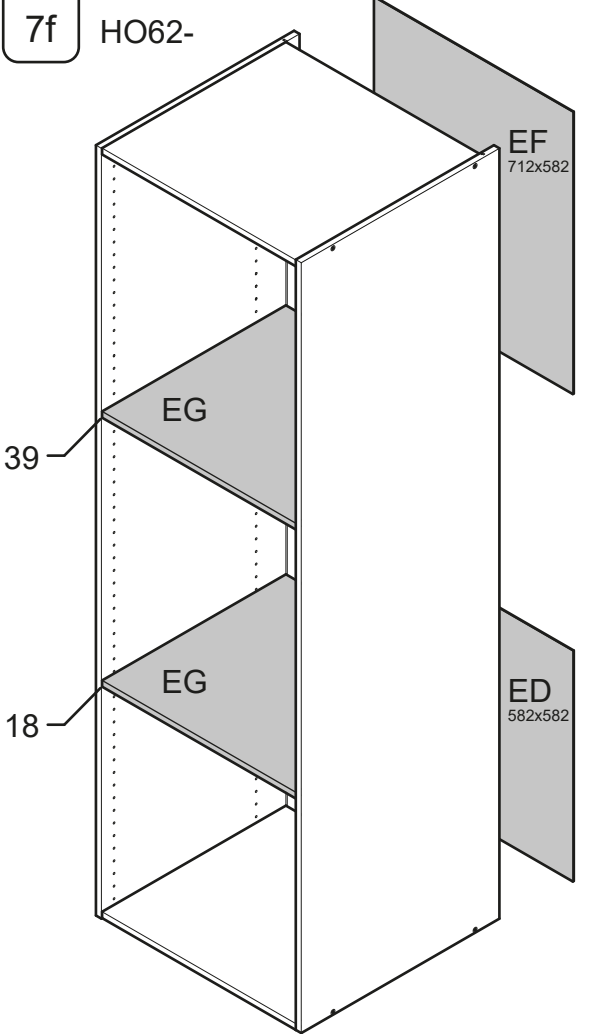
7d HOT61-  
HO61-



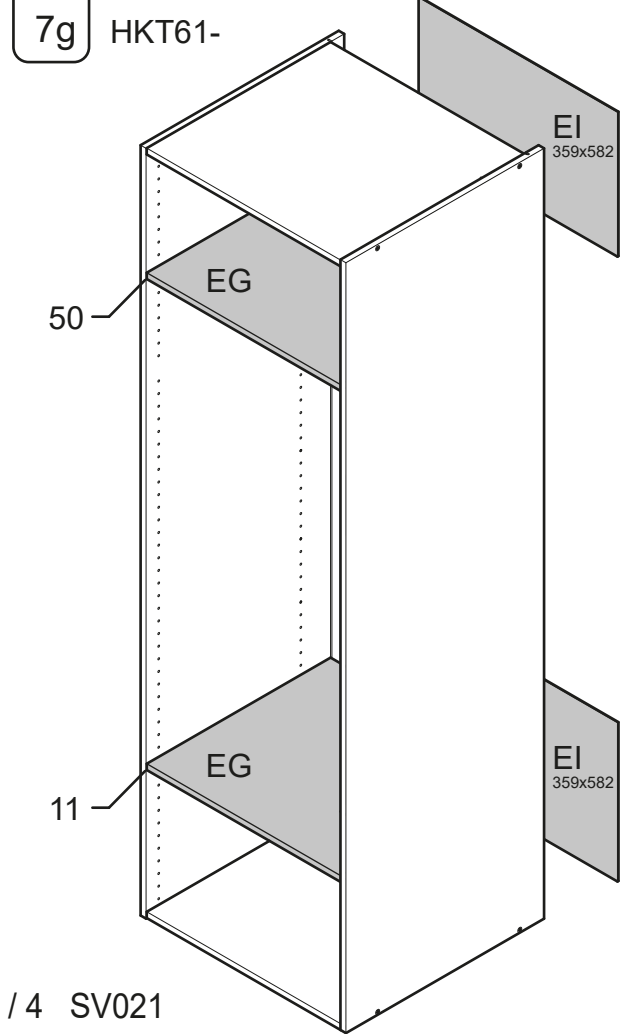
7e HK611-  
HKT63-  
HKTU63-  
HKT64-  
HKT64U-



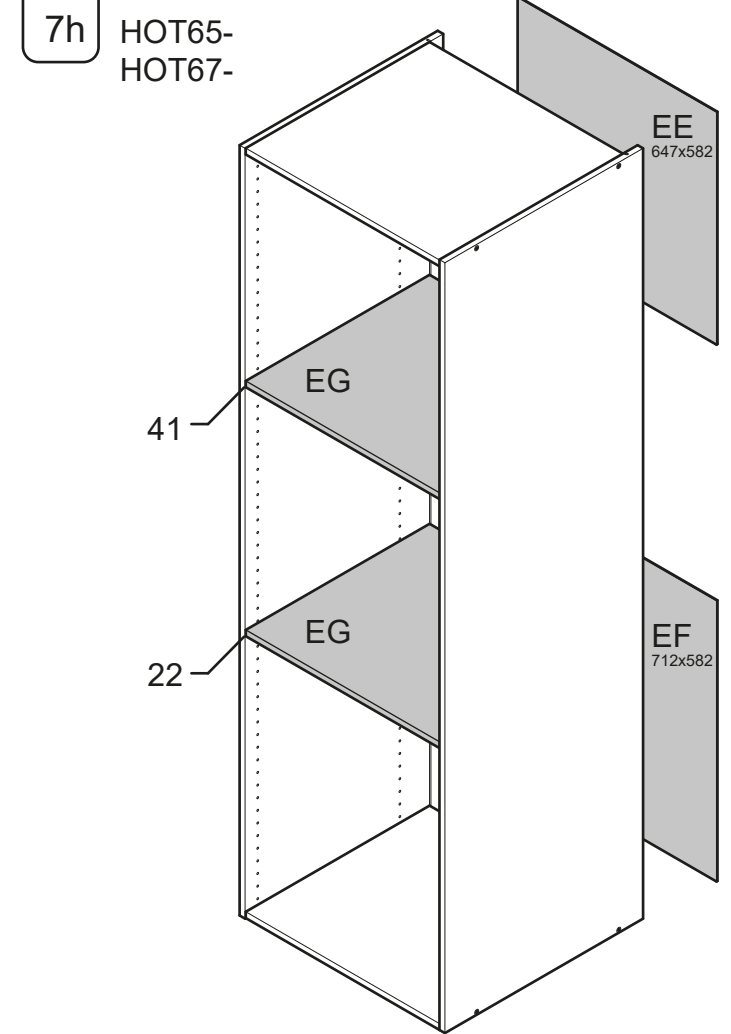
7f HO62-

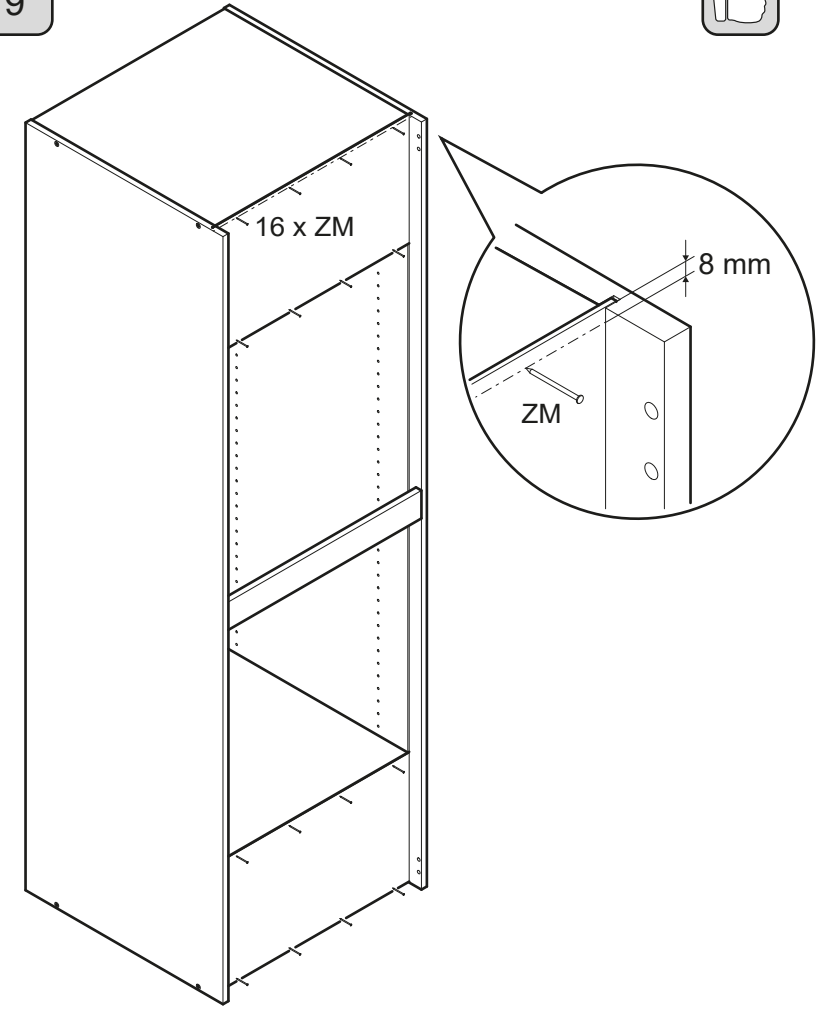
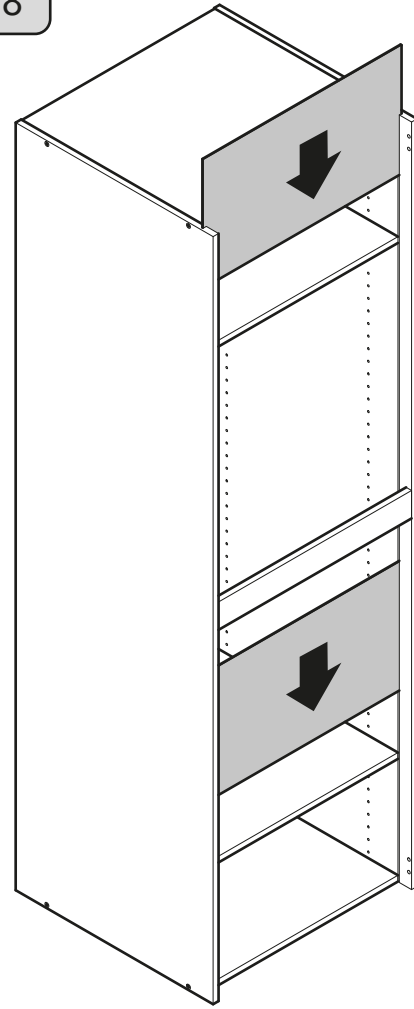
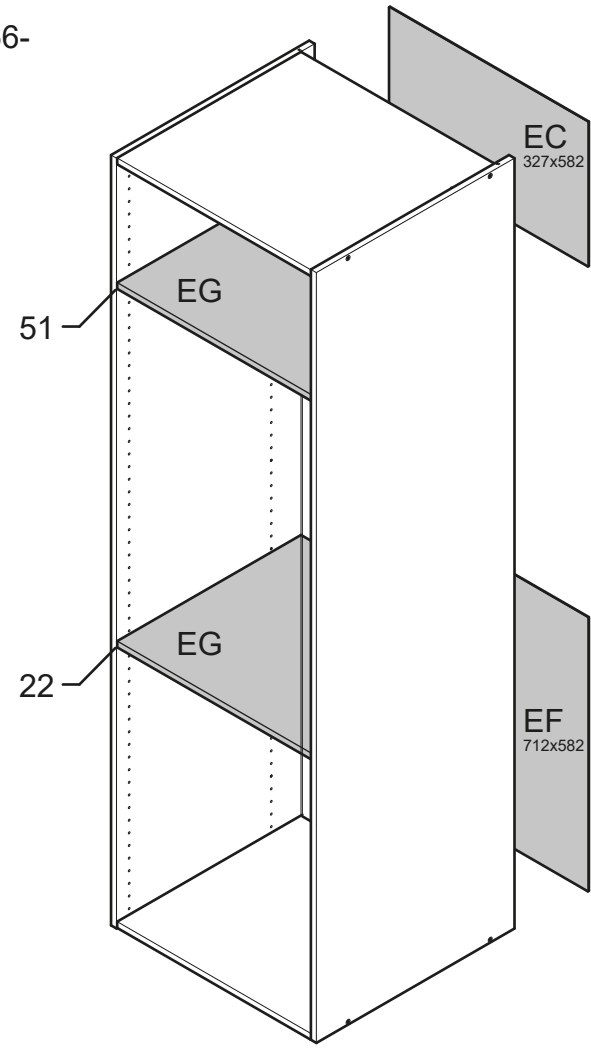


7g HKT61-



7h HOT65-  
HOT67-

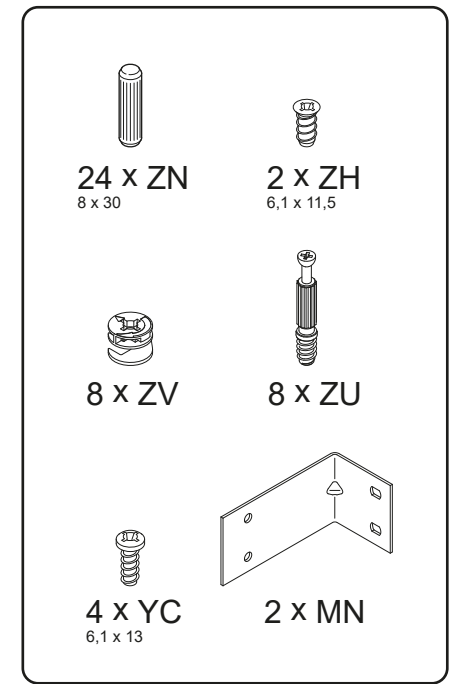
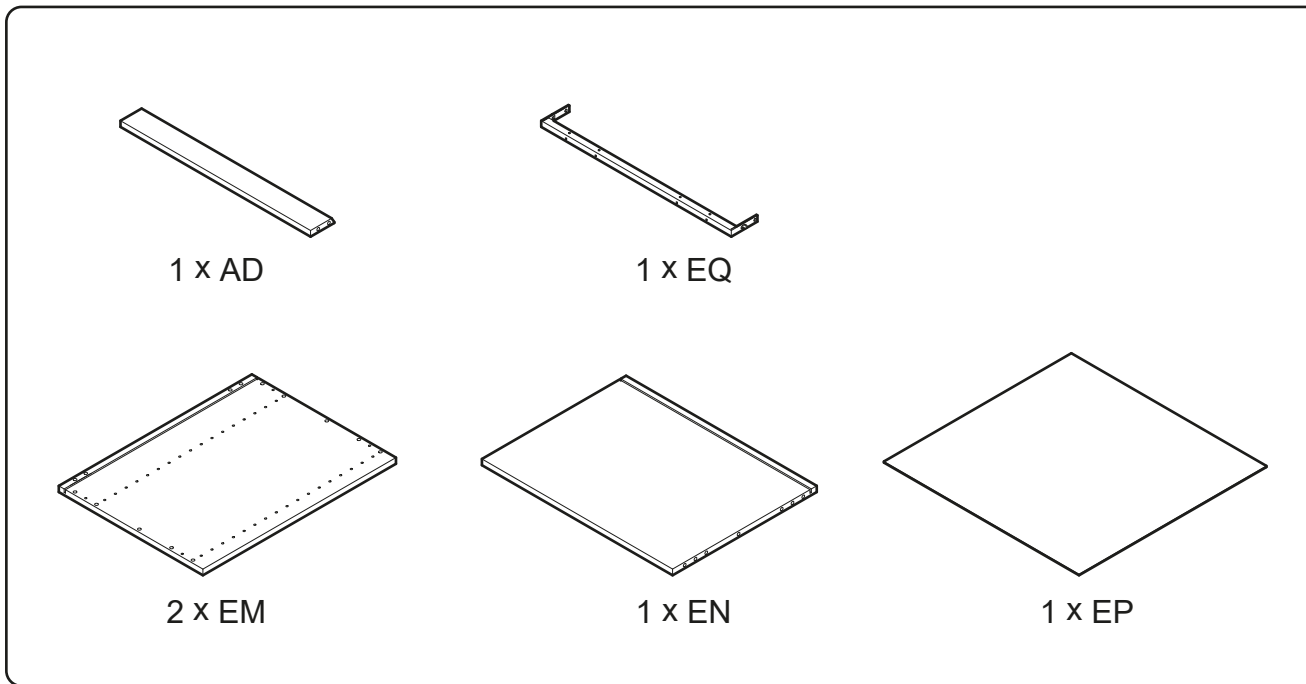
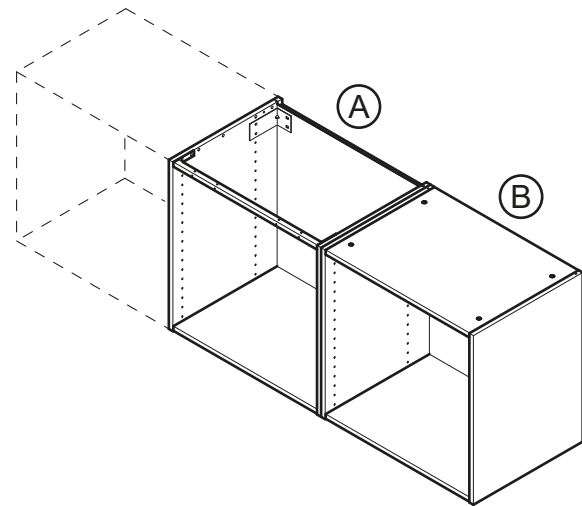




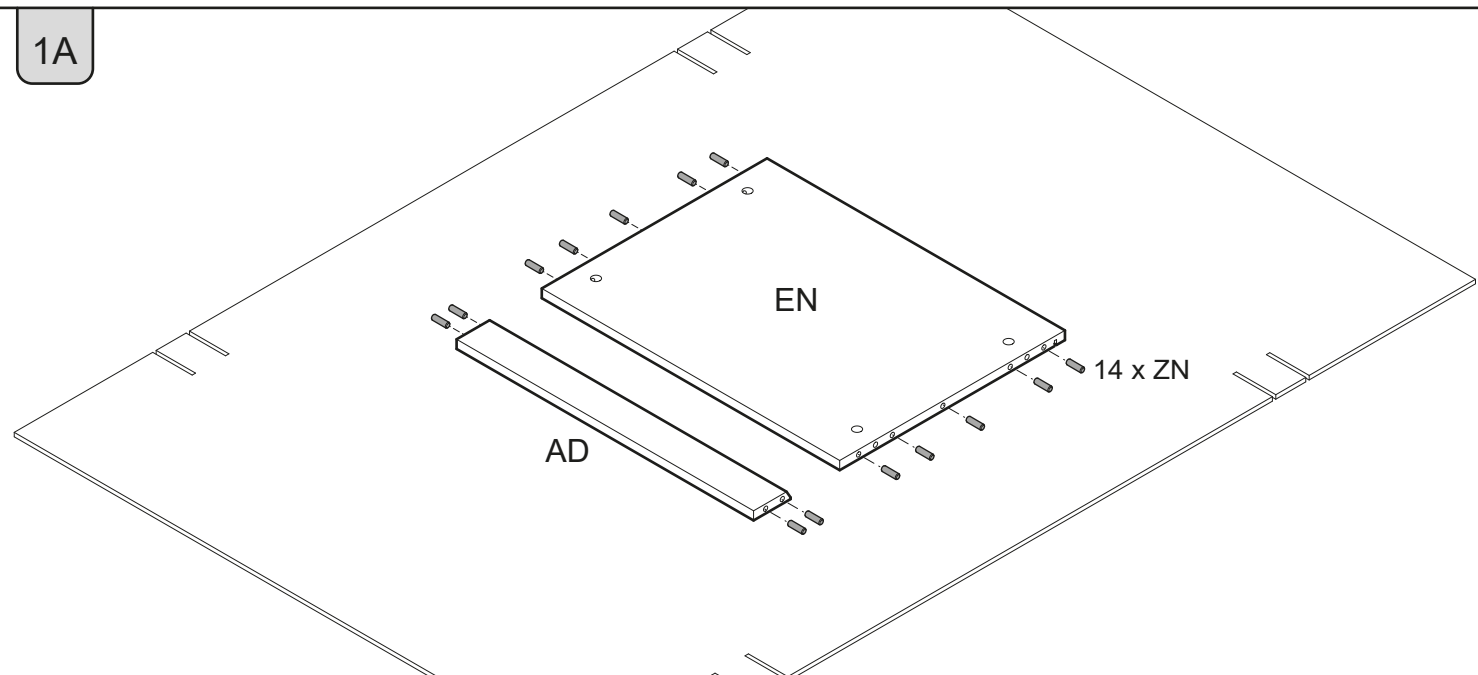


BT60  
 BT80  
 BT100  
 BLU60  
 BLU80  
 BLU100  
 BU60  
 BU80  
 BU100

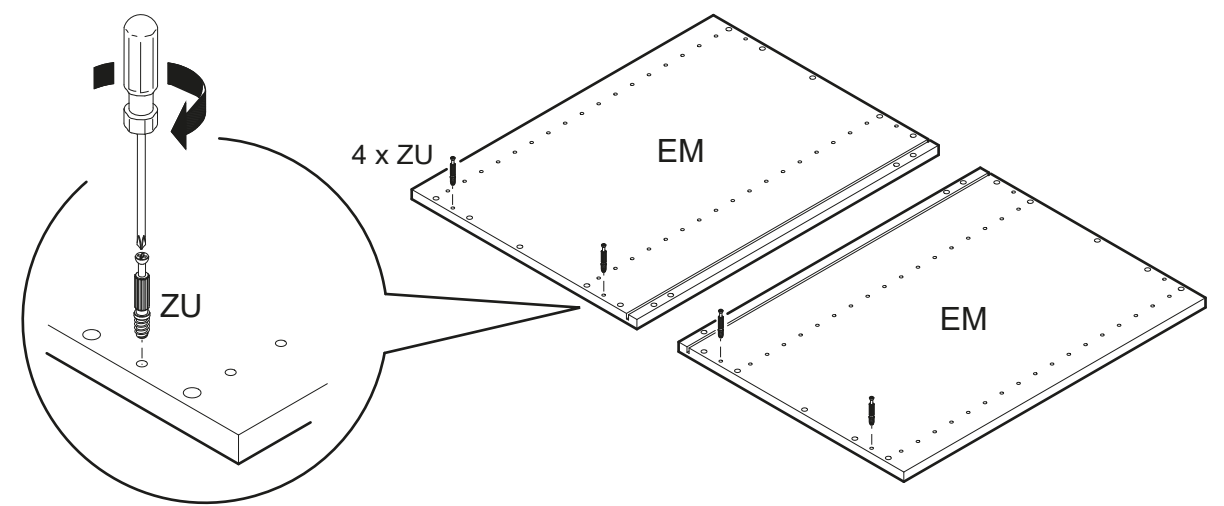
SV022



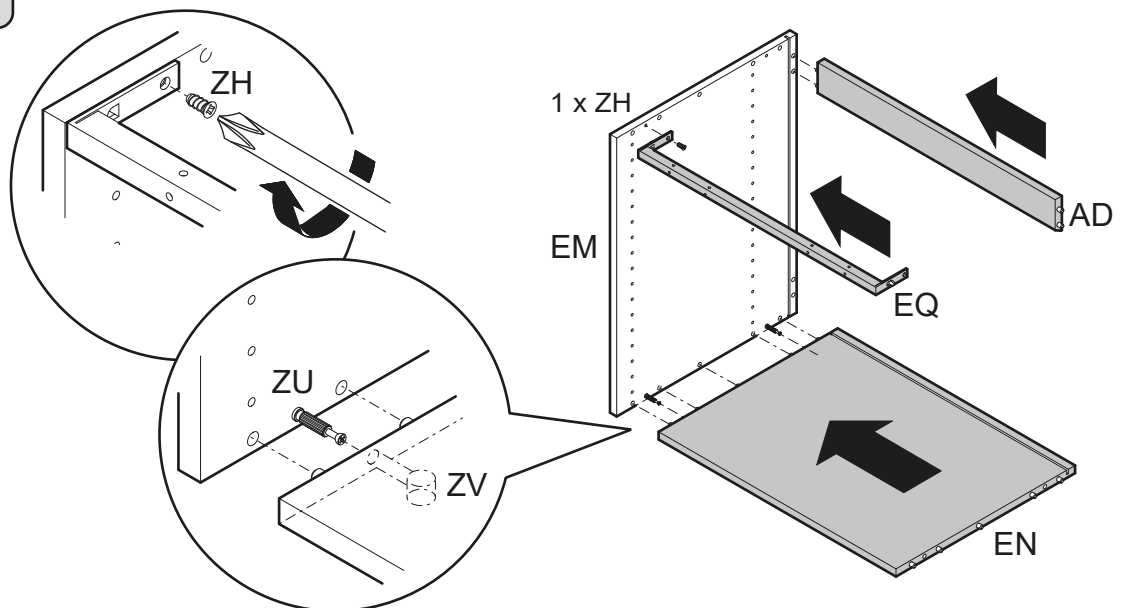
1A



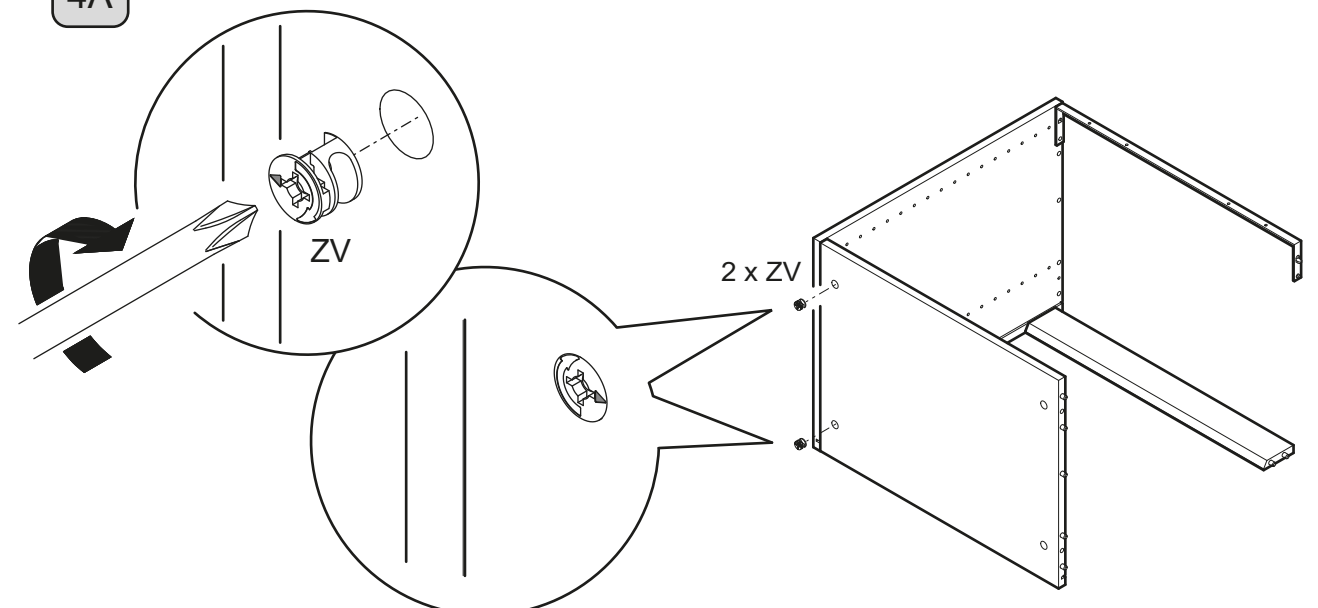
2A



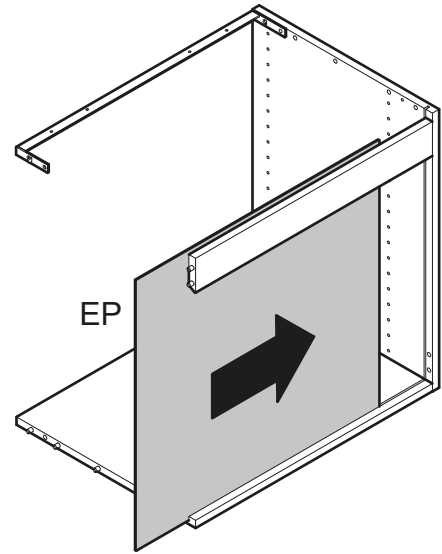
3A



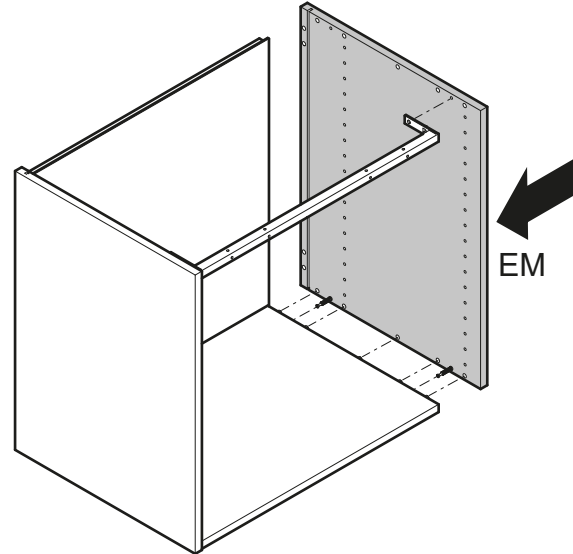
4A



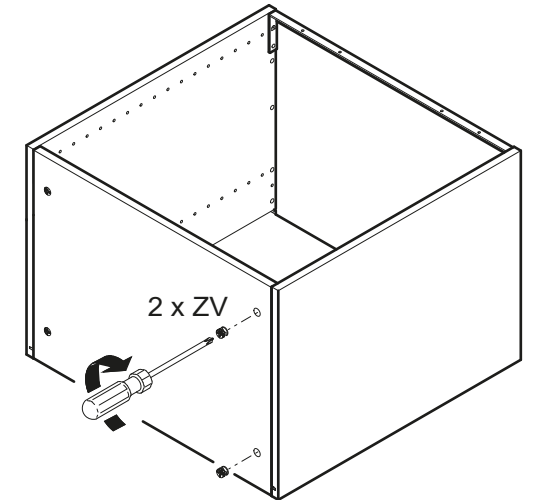
5A



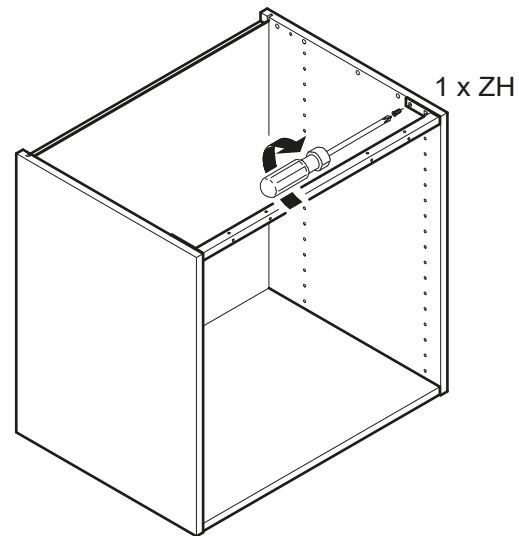
6A



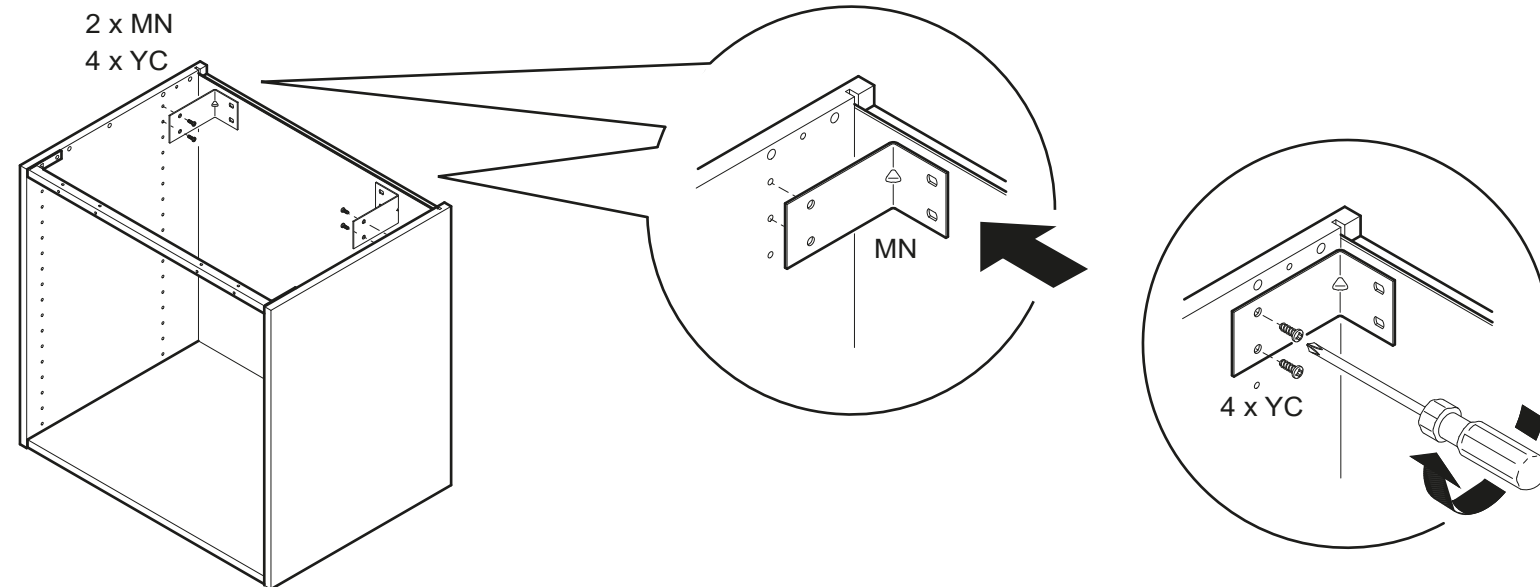
7A



8A

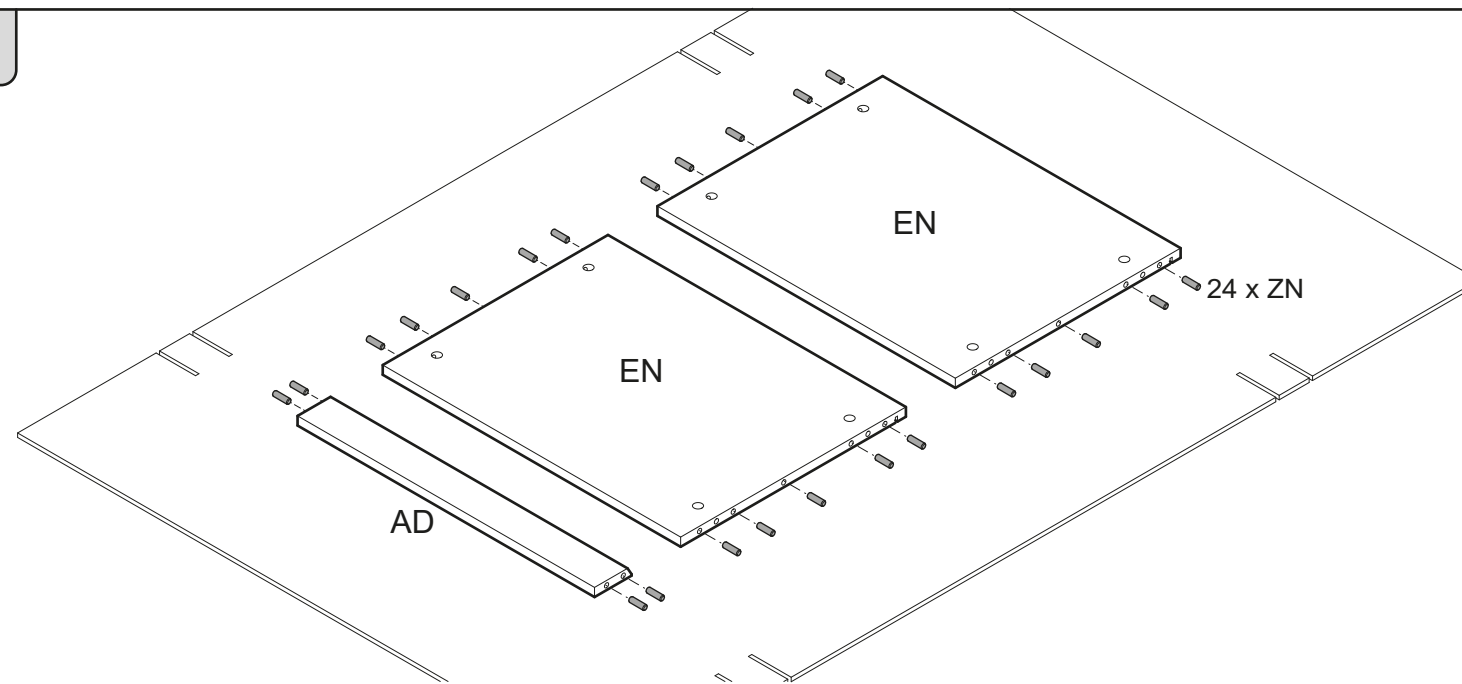
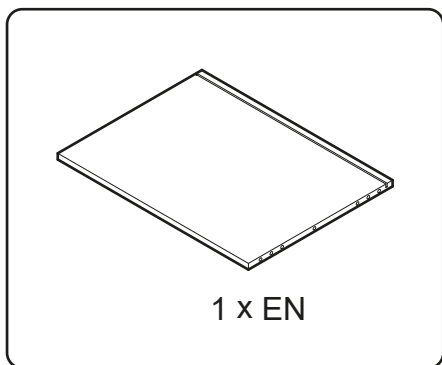


9A



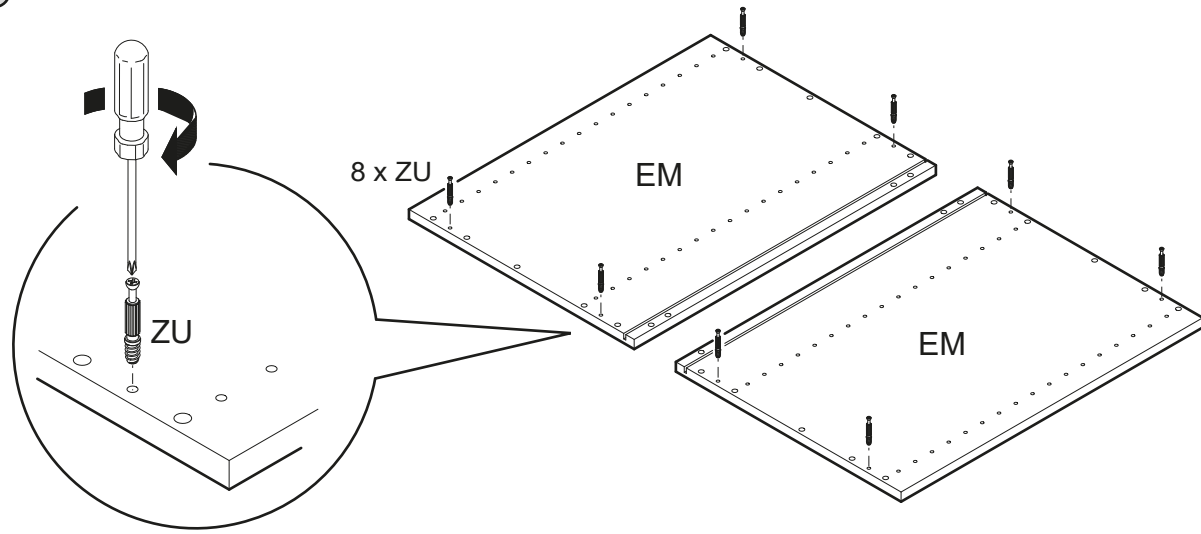
UB61B  
UB81B  
UB101B

1B

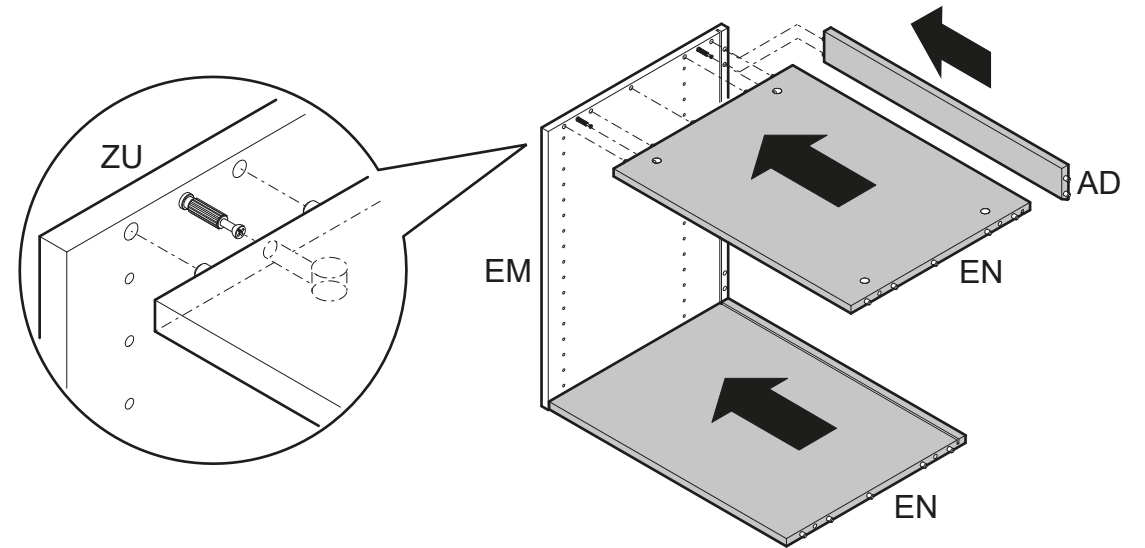


2 / 3 SV022

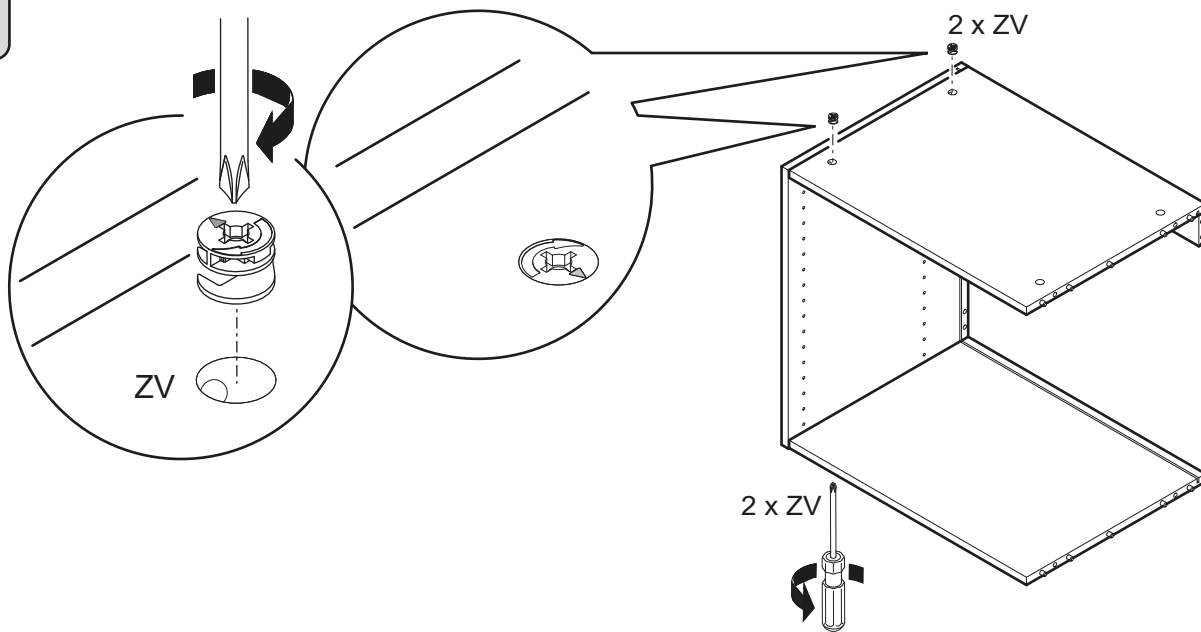
2B



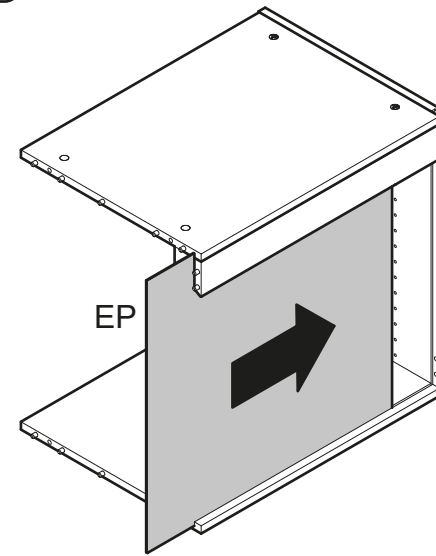
3B



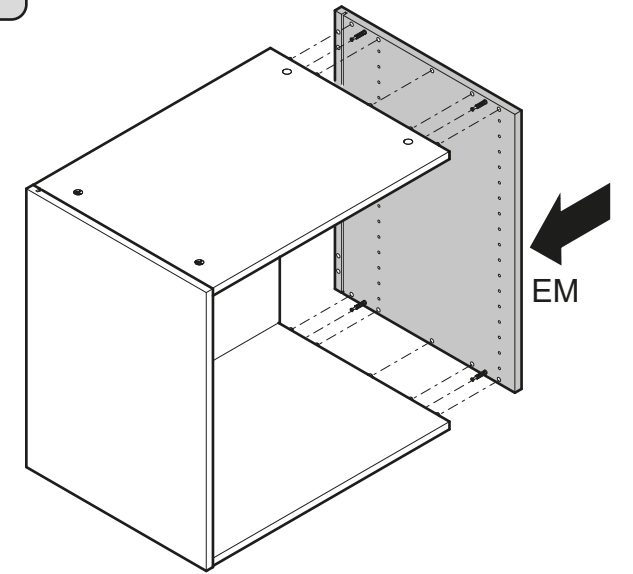
4B



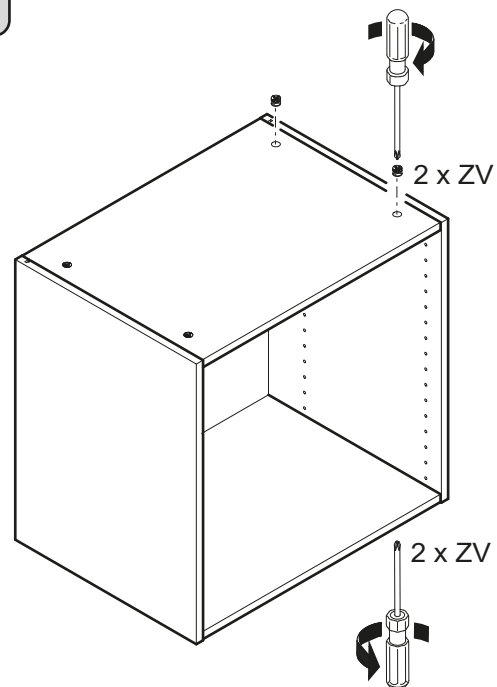
5B



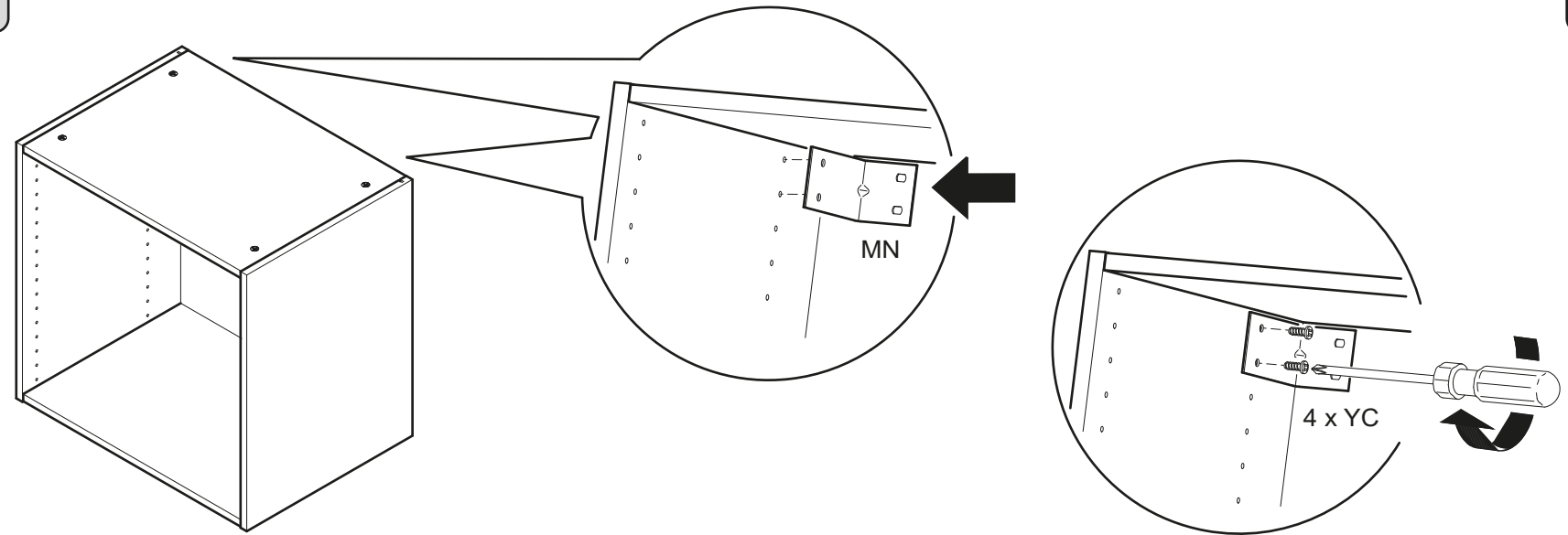
6B



7B

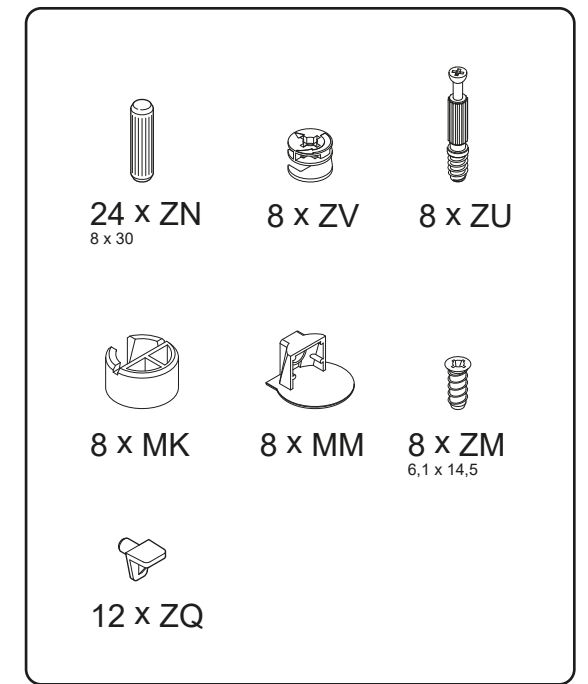
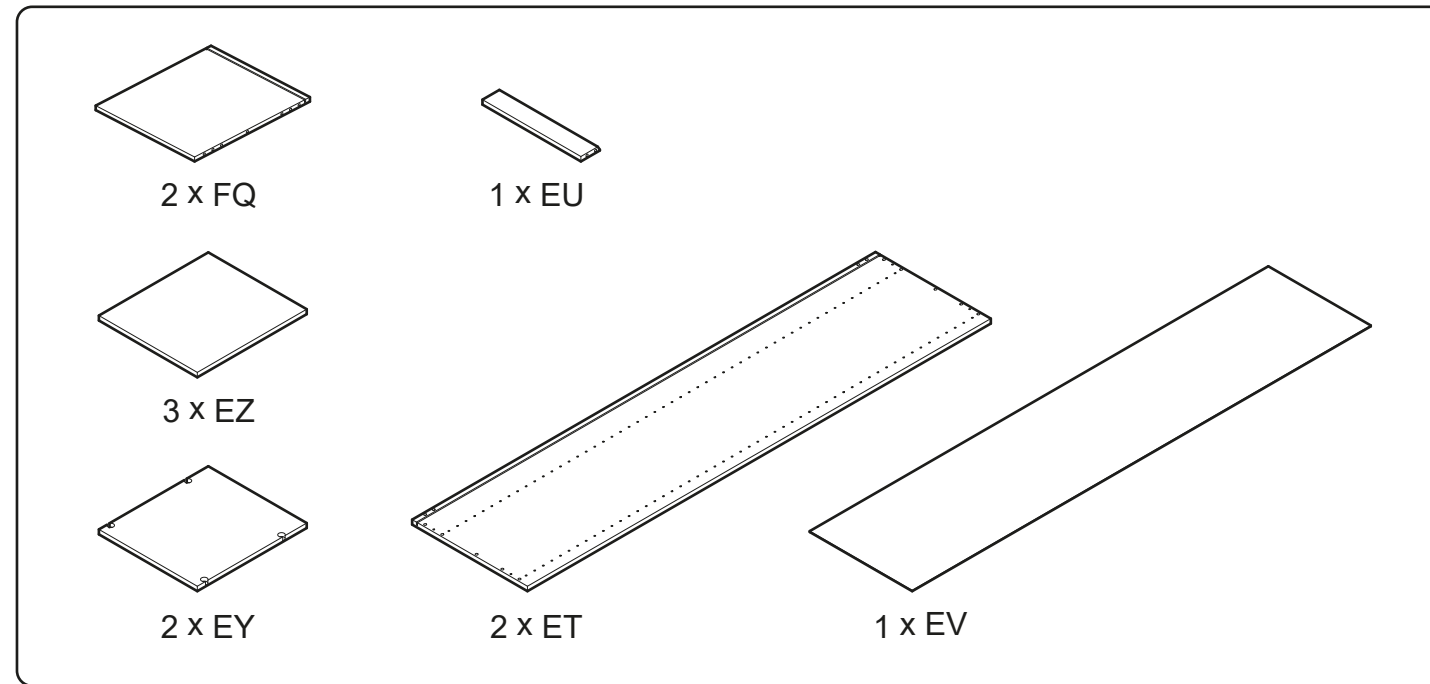
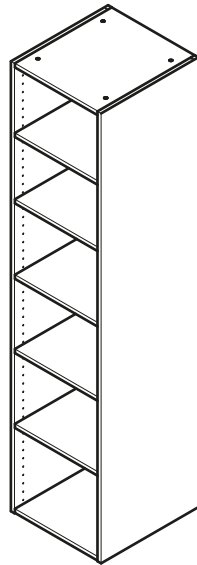


8B

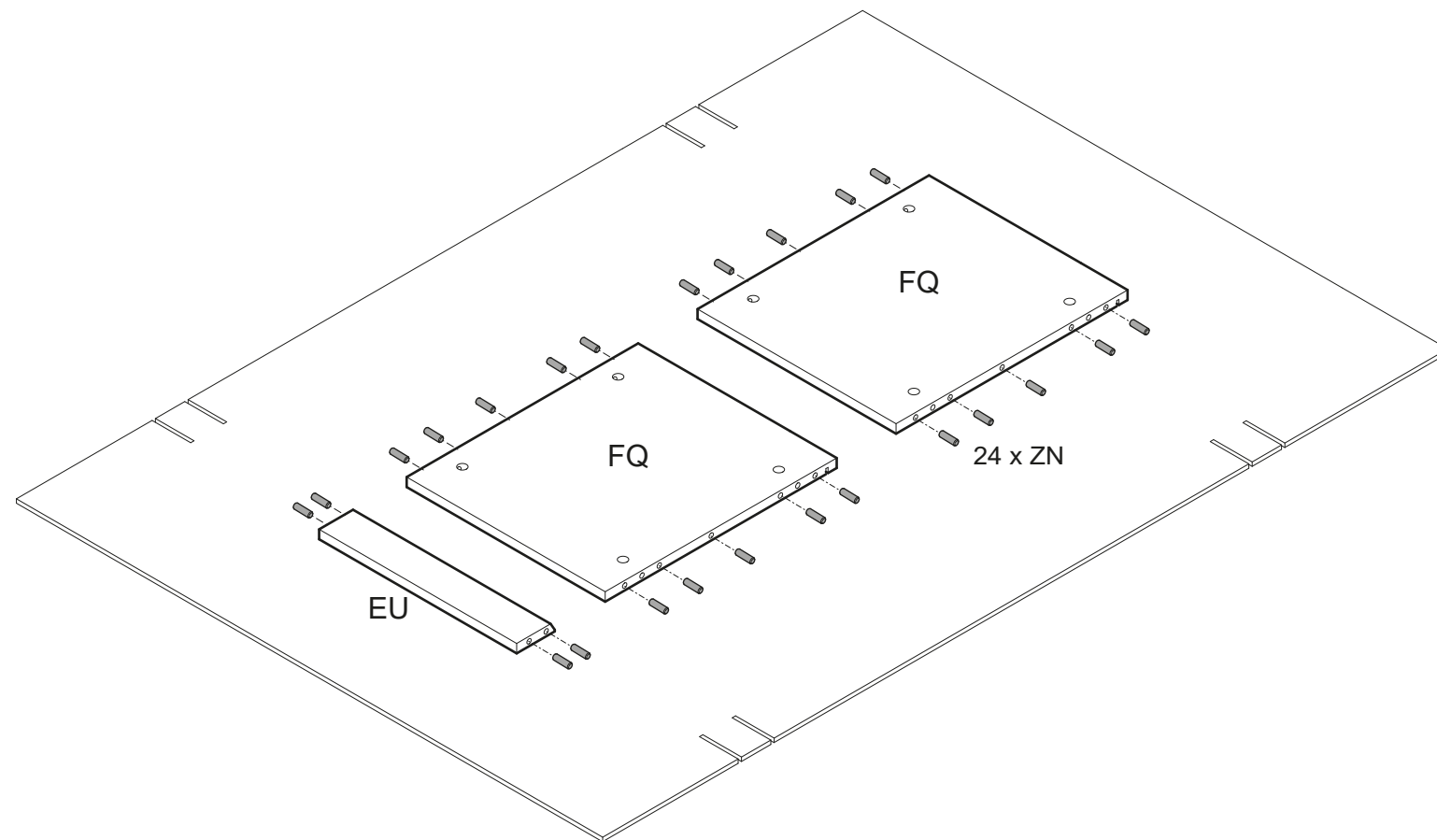


BH30  
BH40

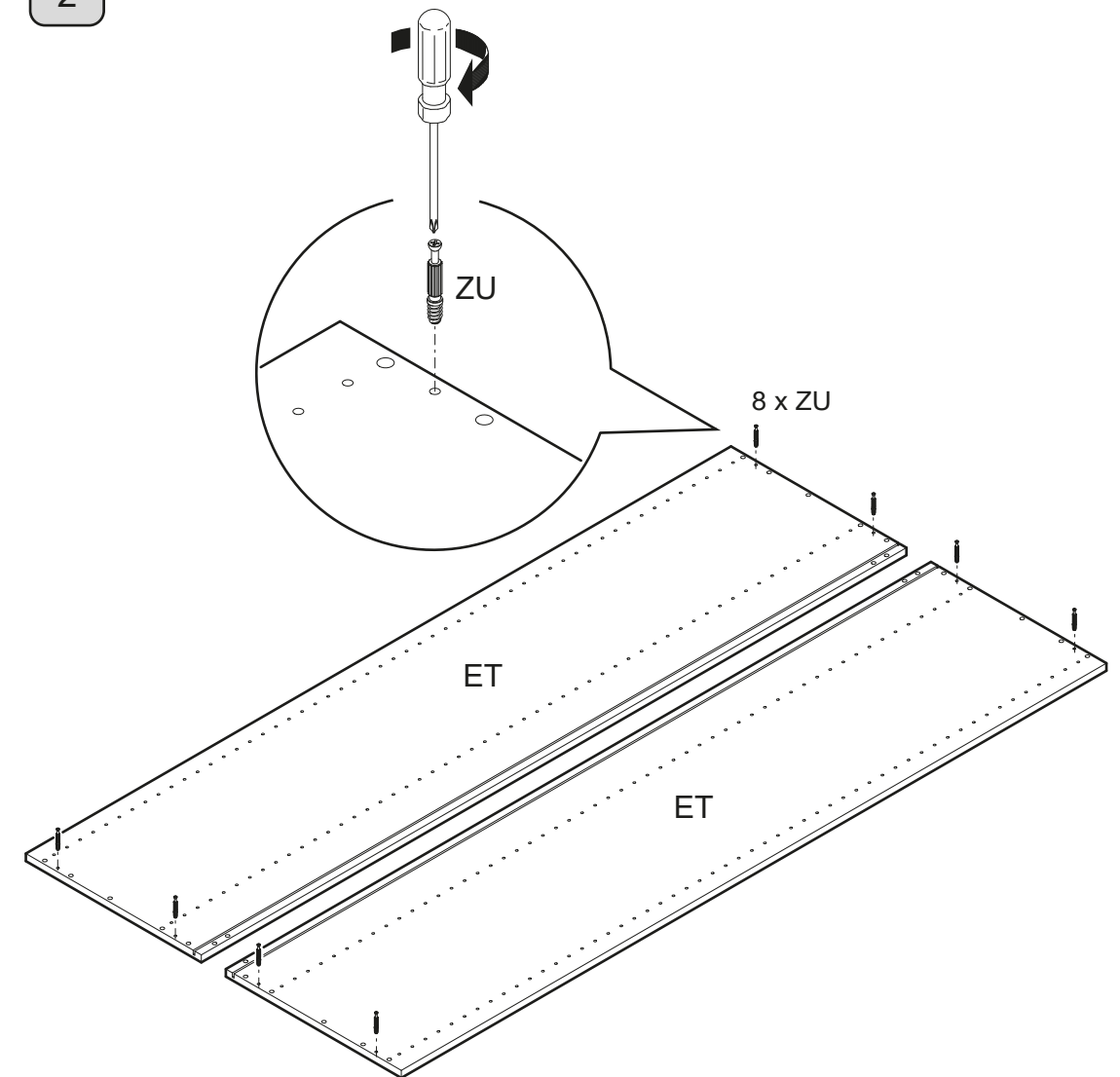
SV023



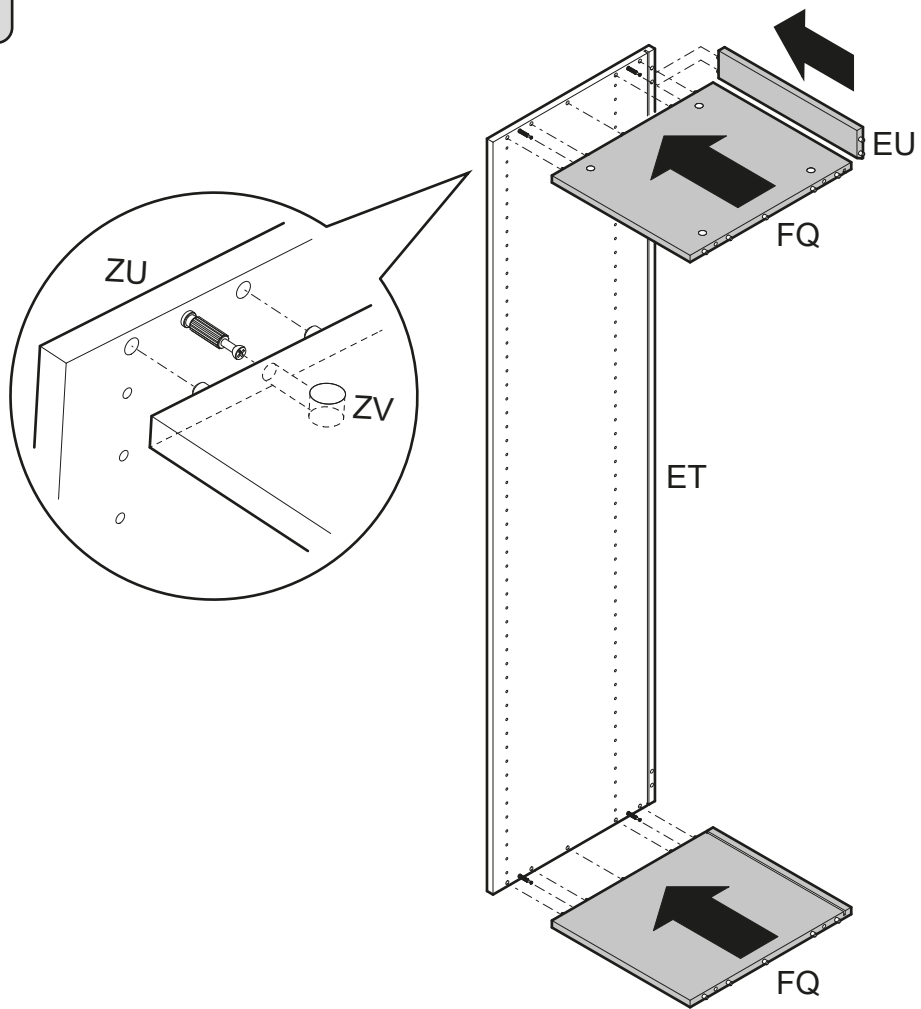
1



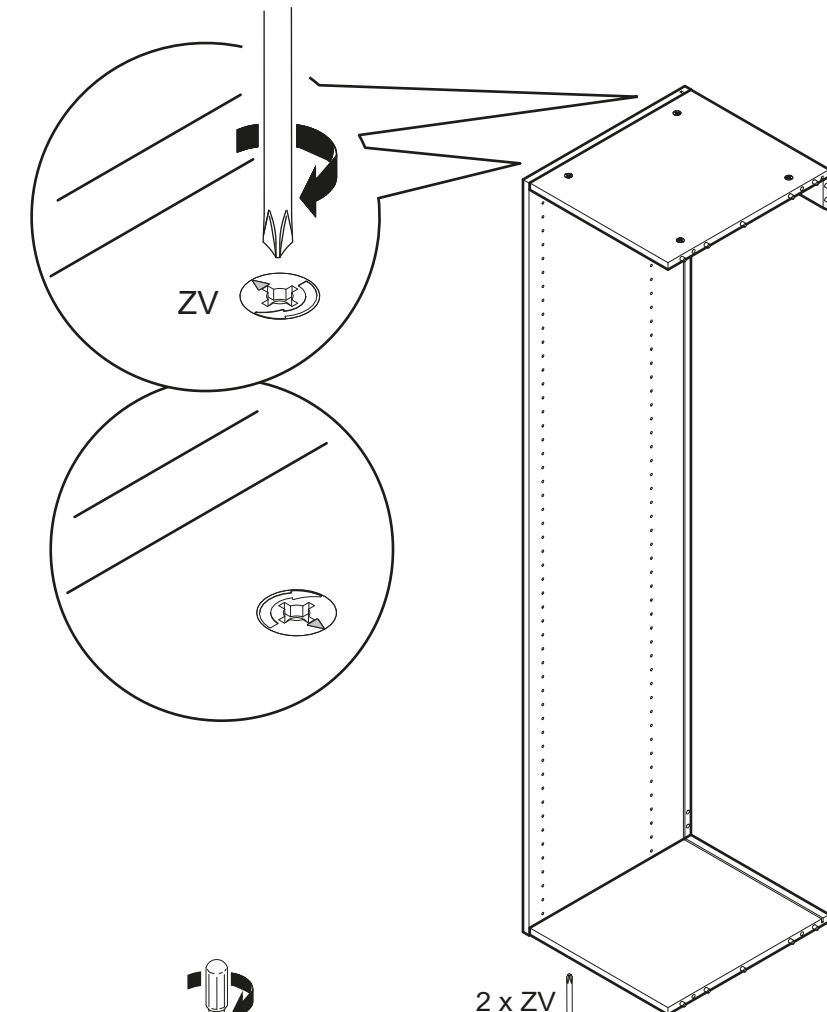
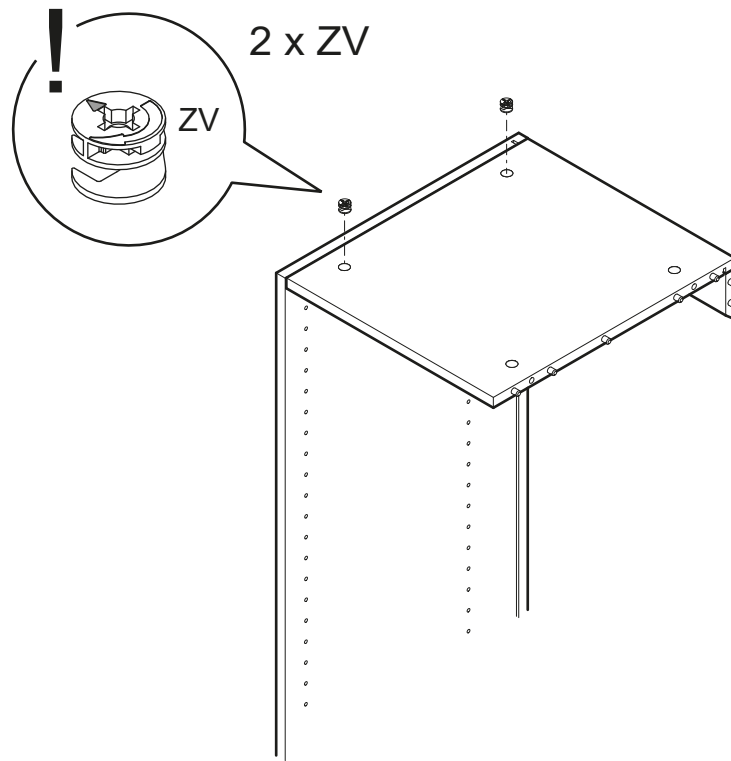
2



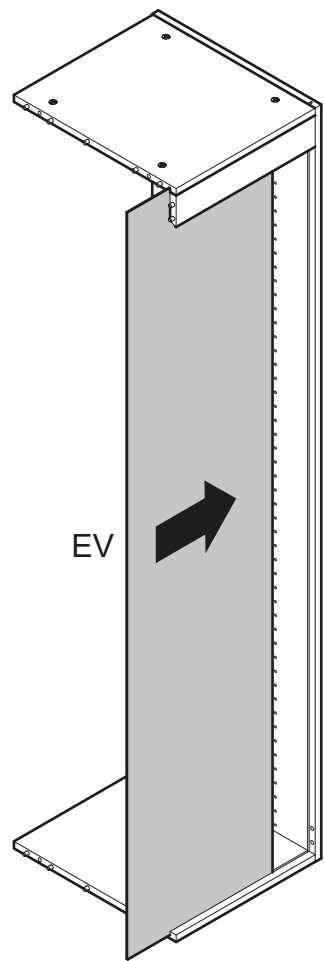
3



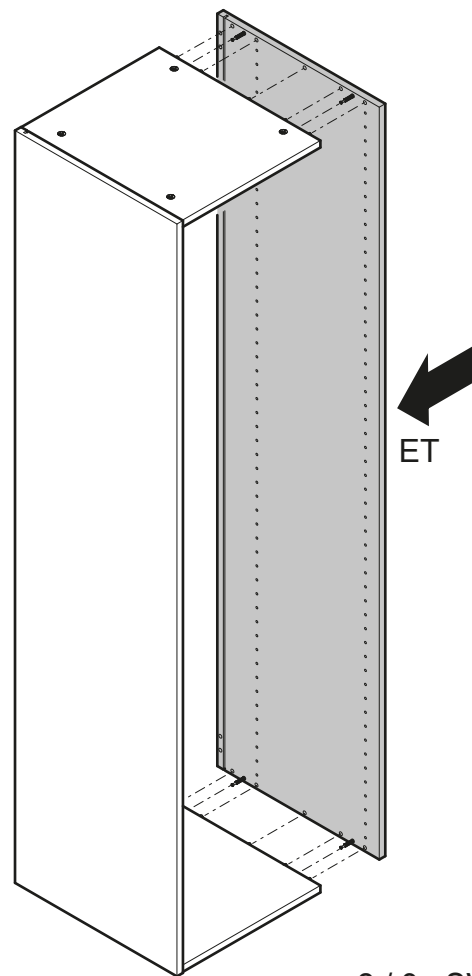
4



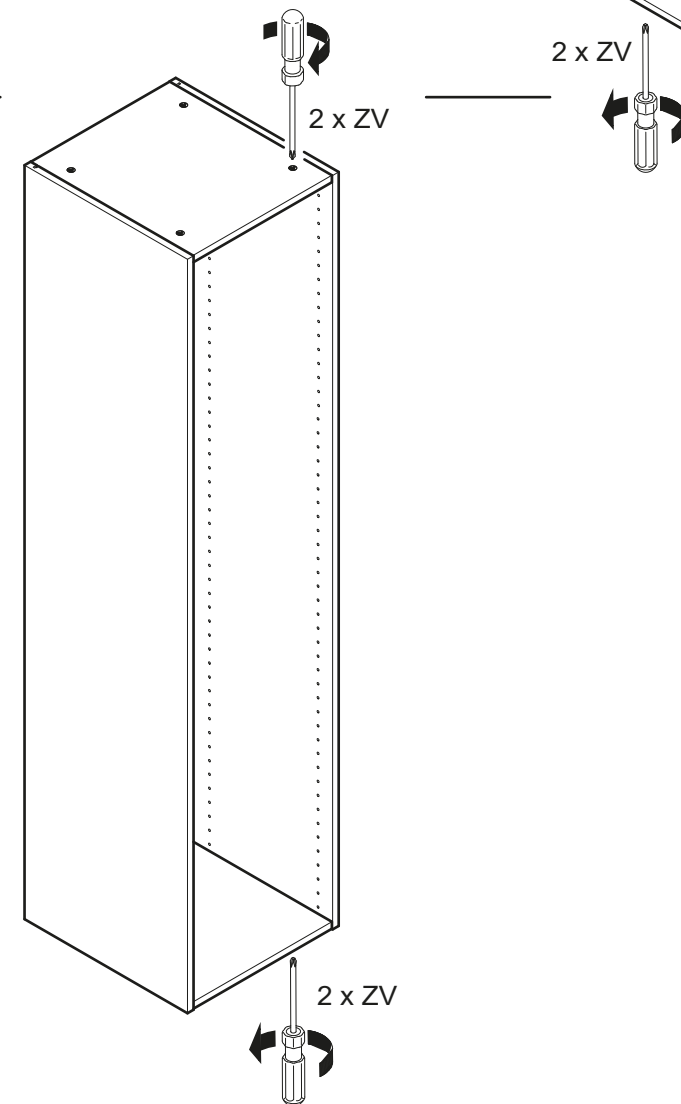
5



6

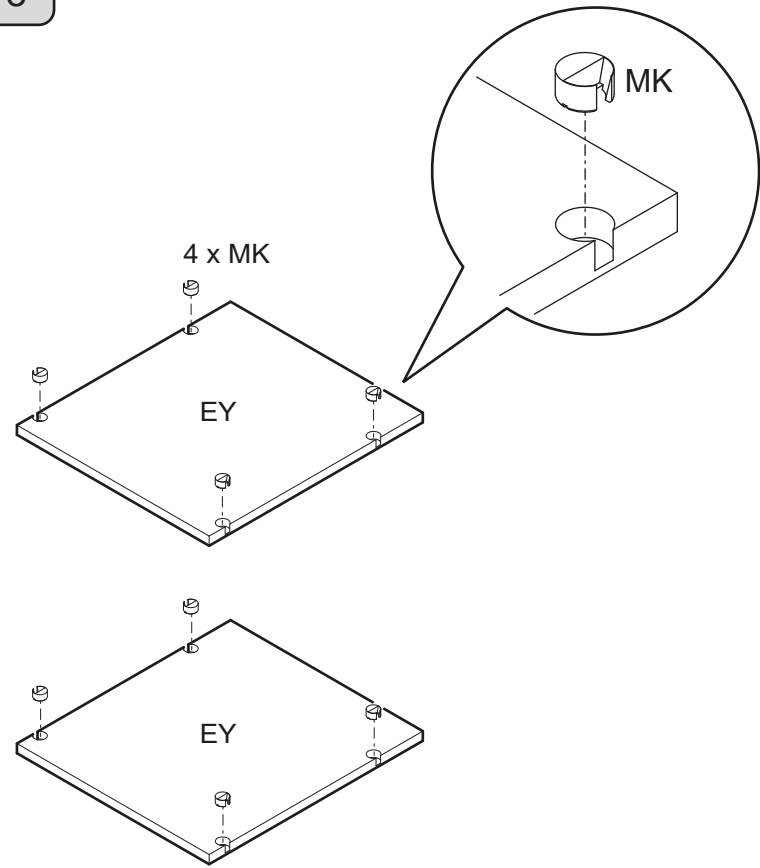


7

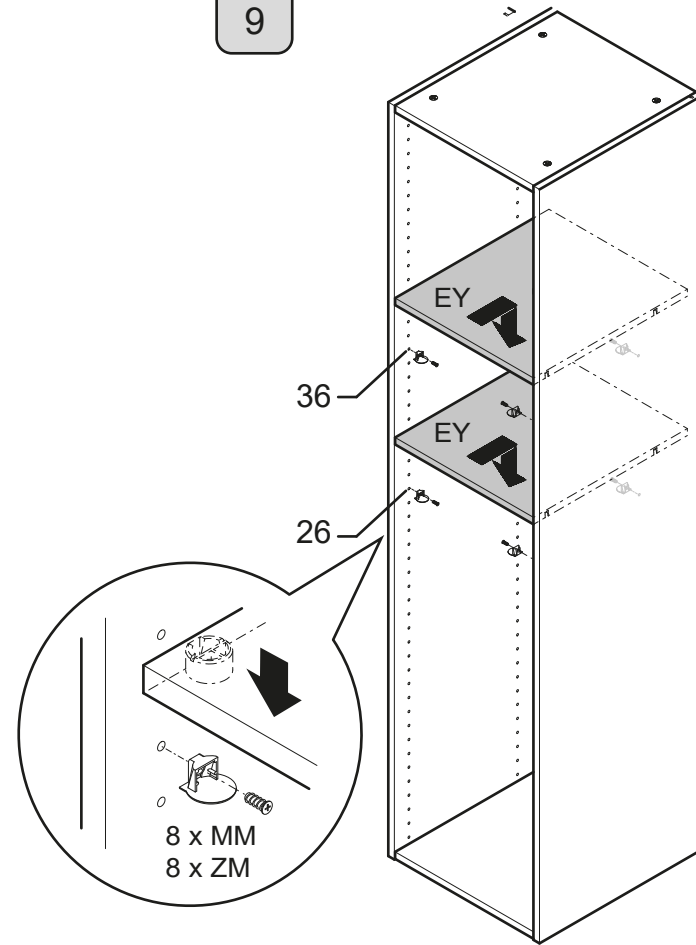


BHS17234-  
BHS17244-

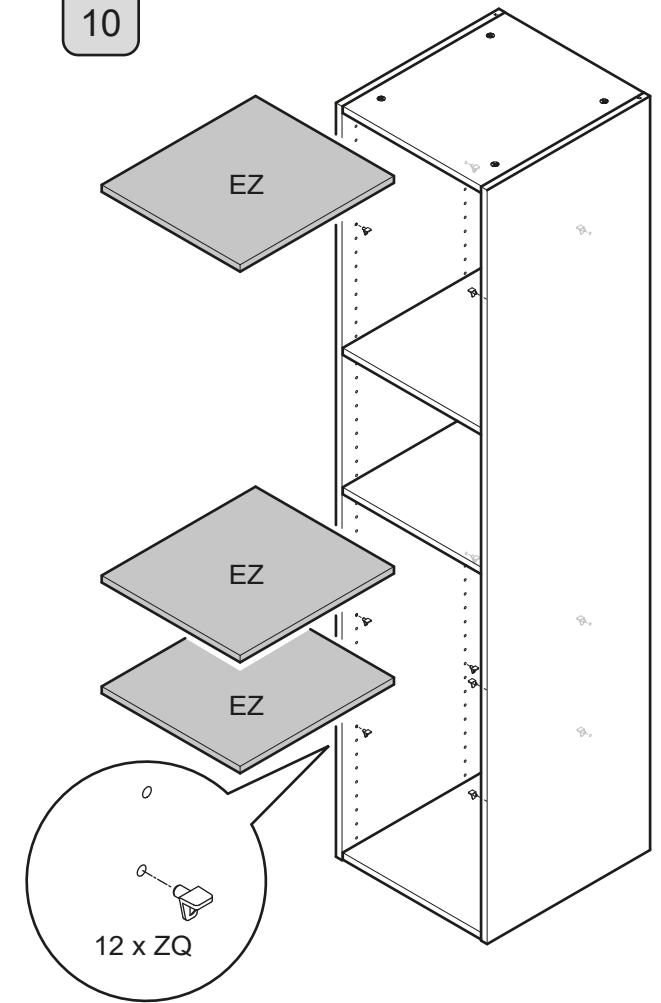
8



9

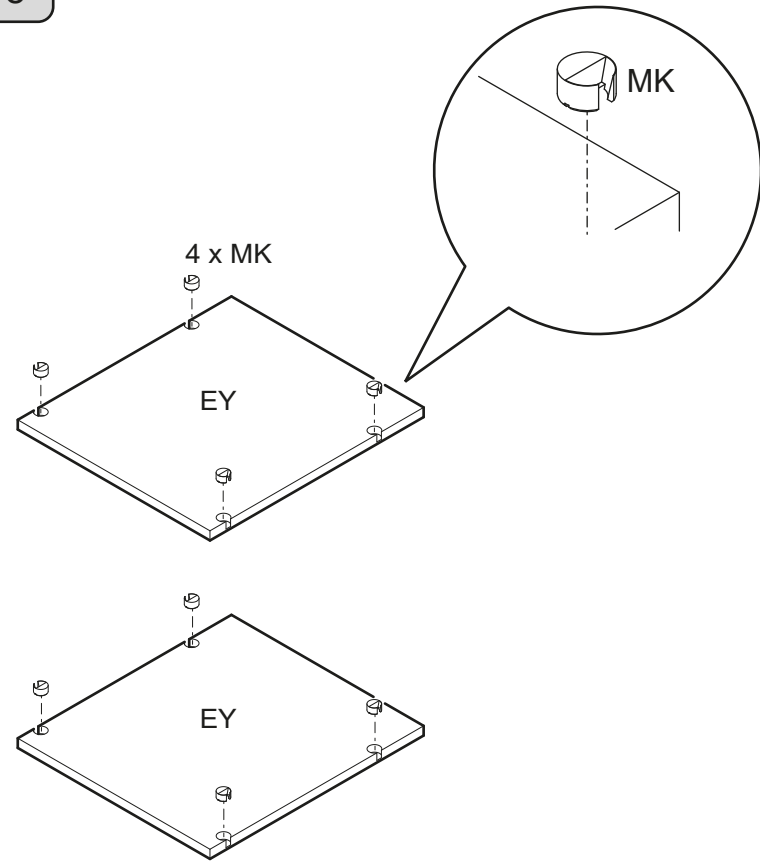


10

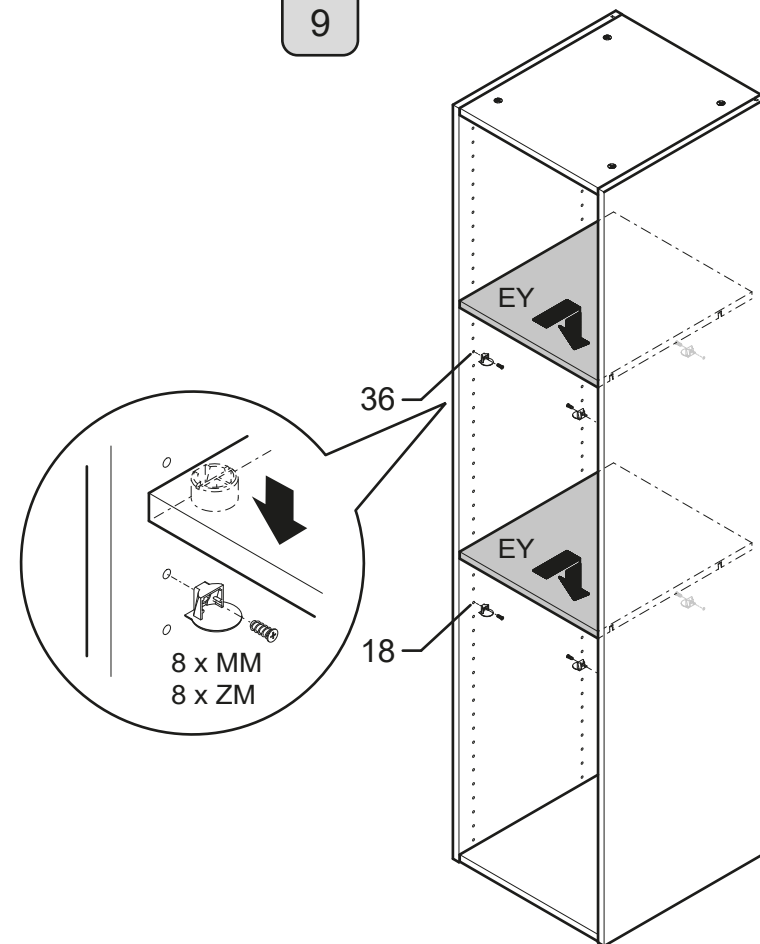


BH17232-  
BH17242-  
BH172303-  
BH172403-

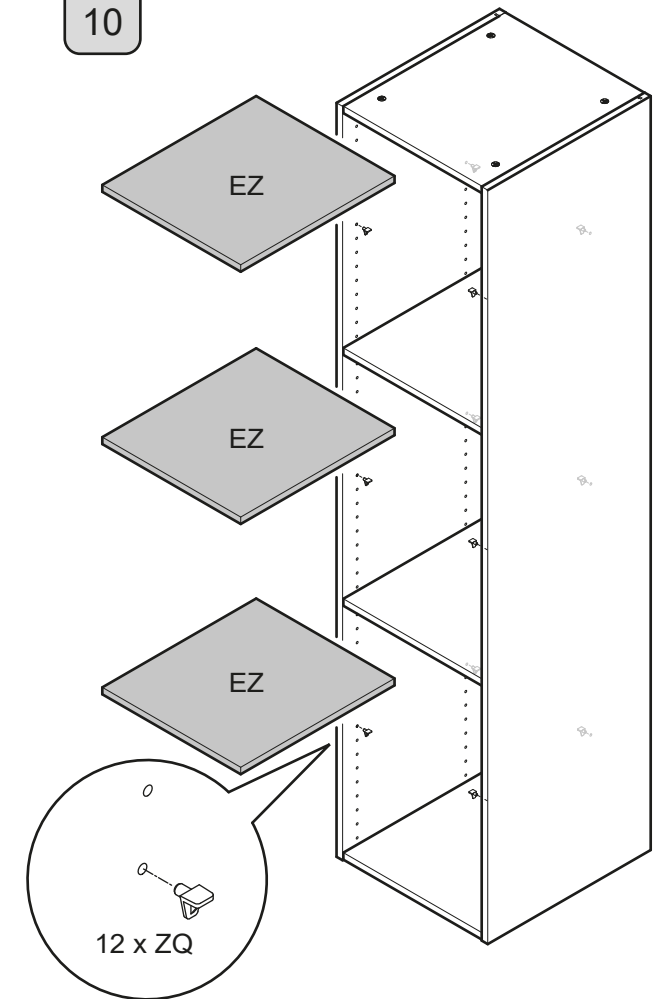
8



9



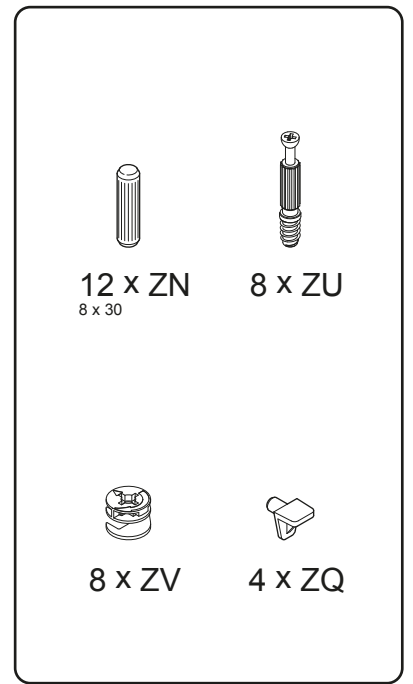
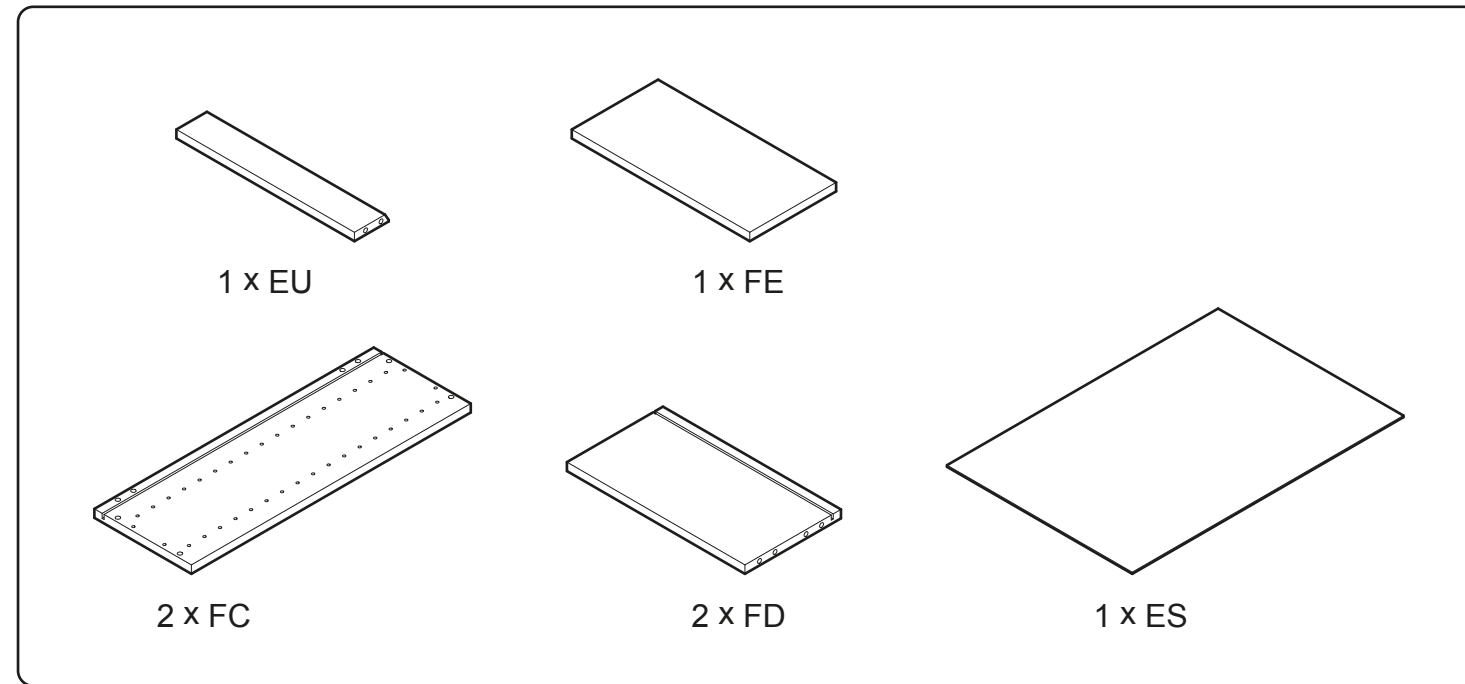
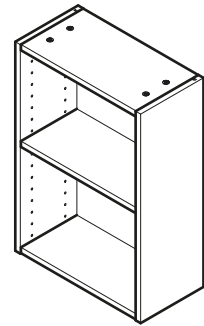
10



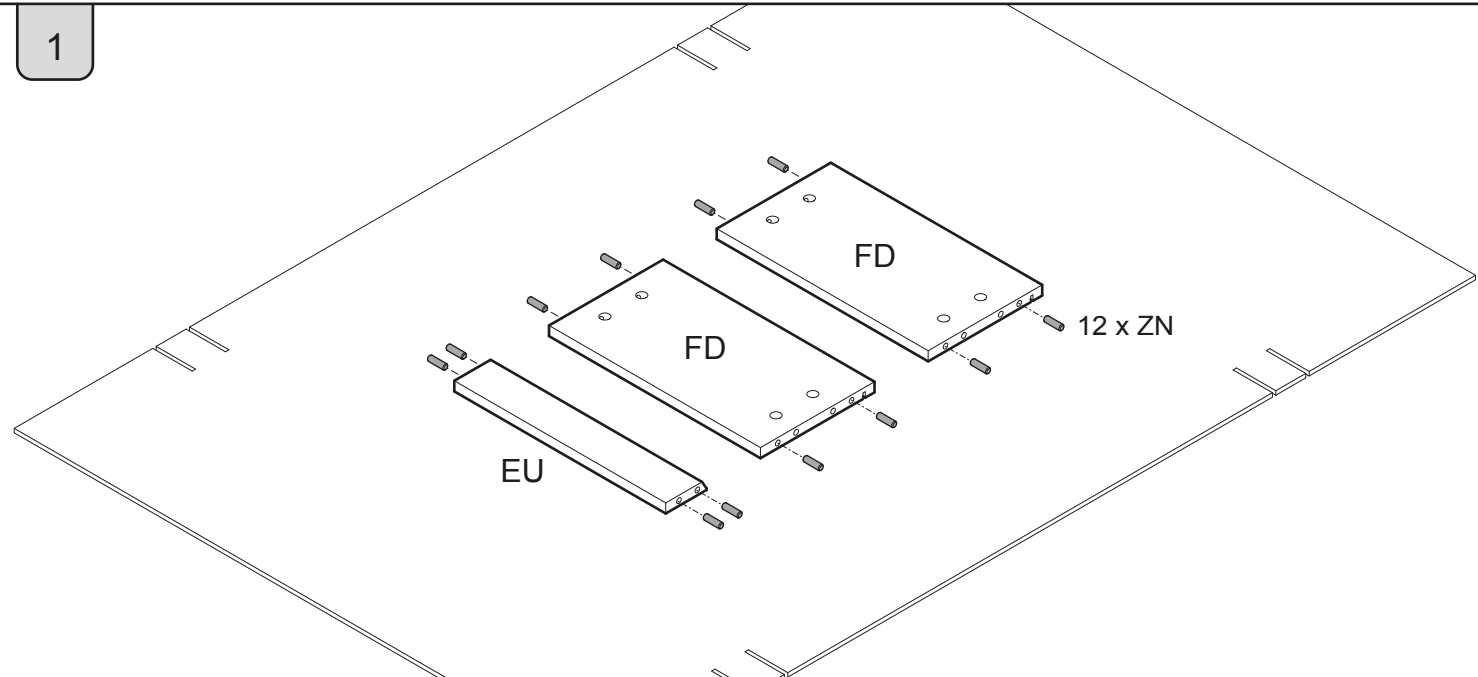


BLO301  
BLO401  
BO301  
BO401

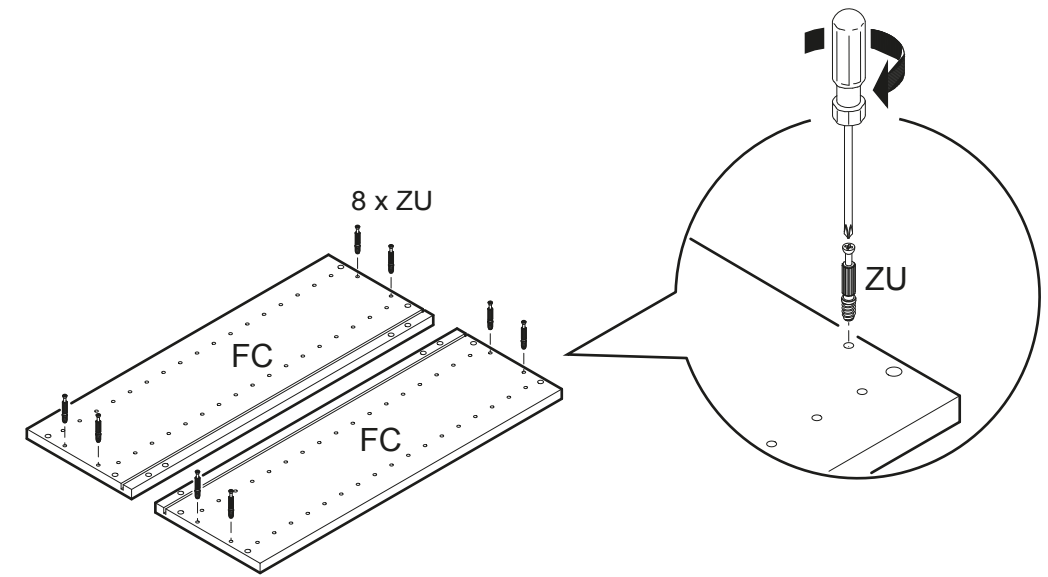
SV024



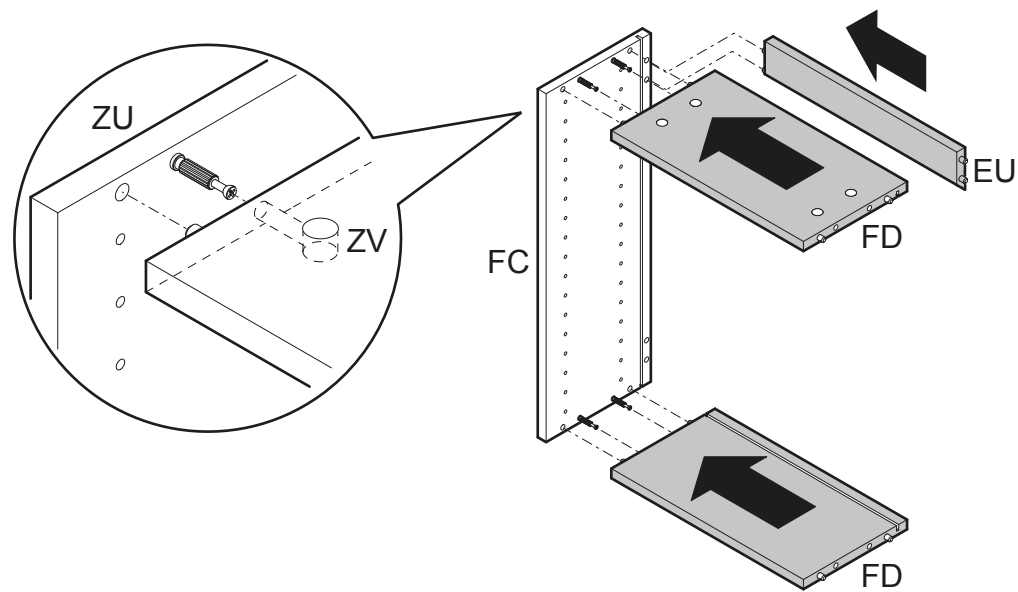
1



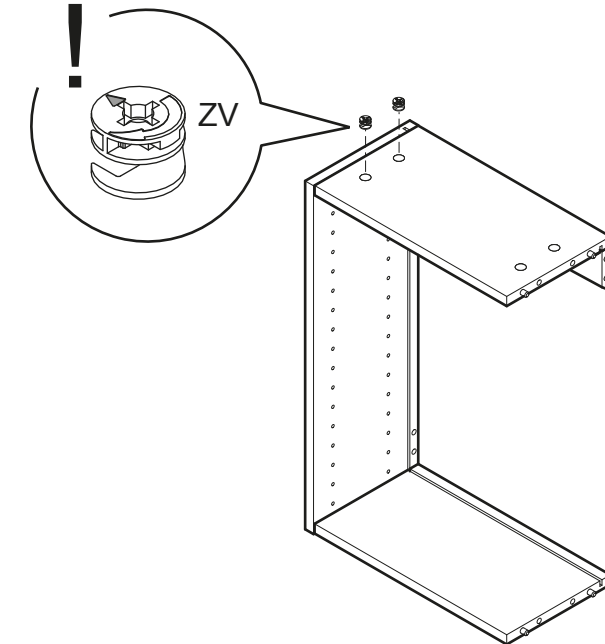
2



3

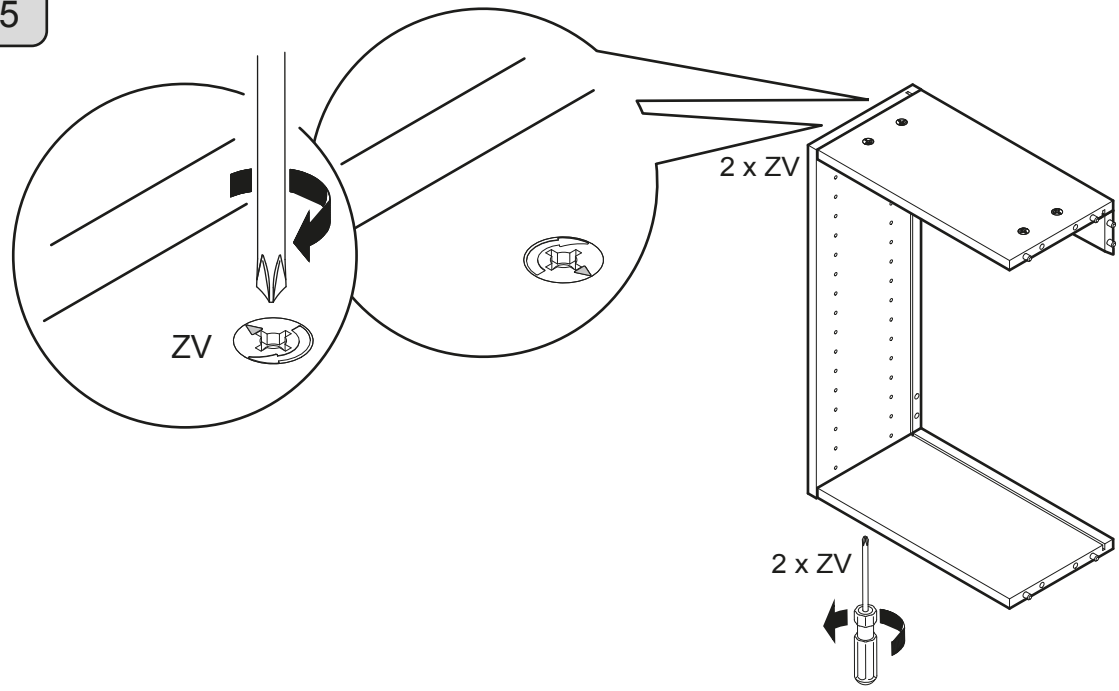


4

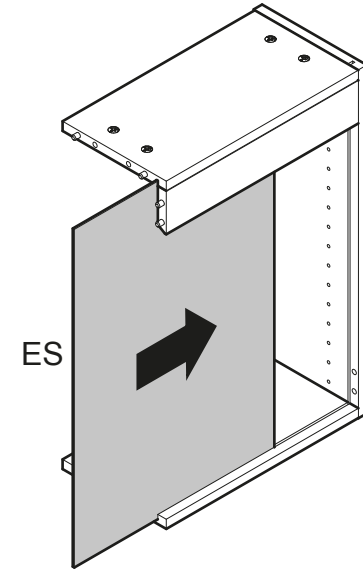




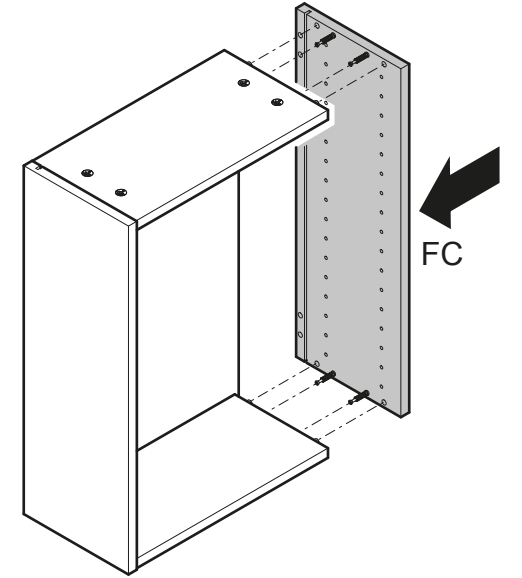
5



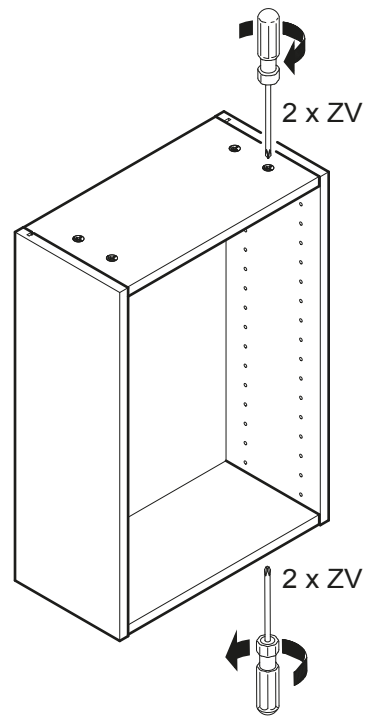
6



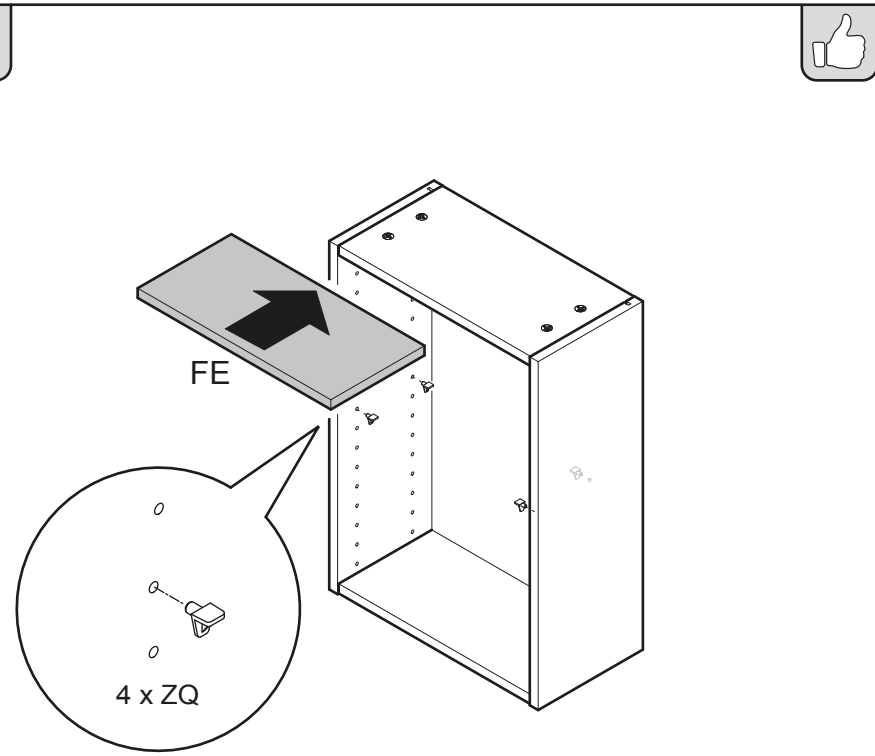
7



8

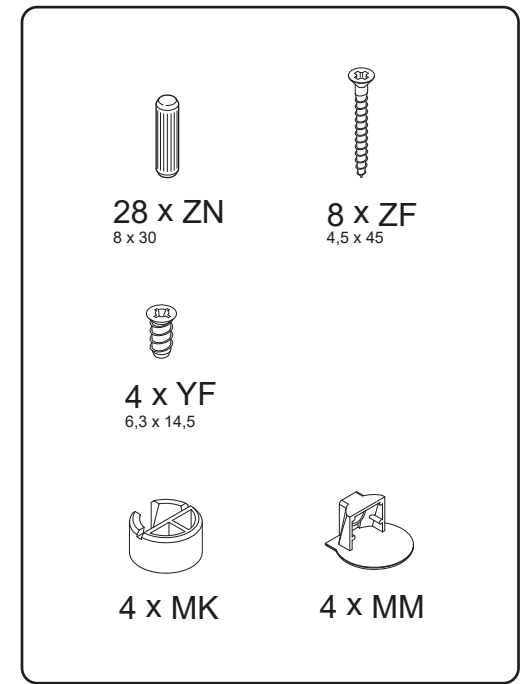
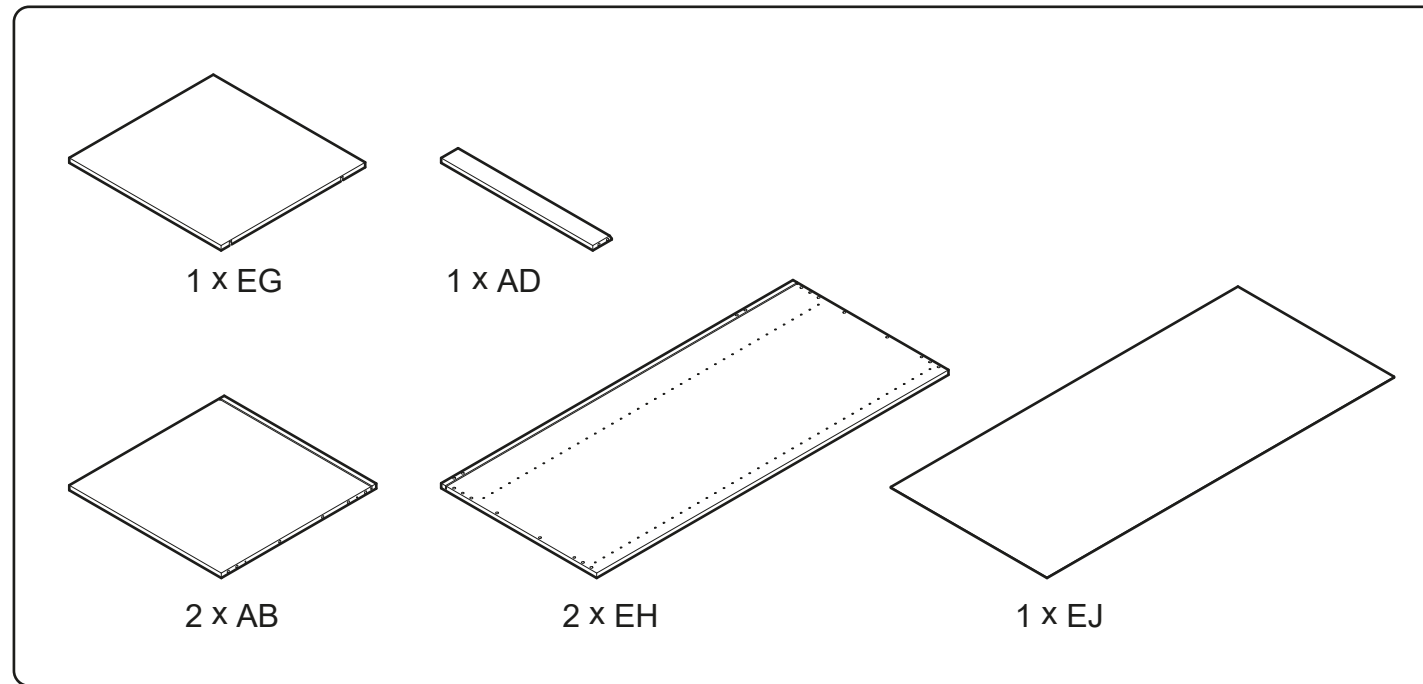
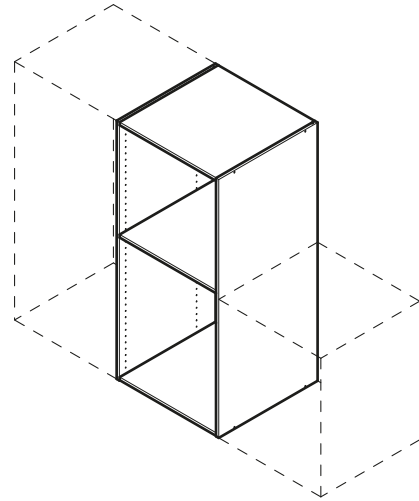


9

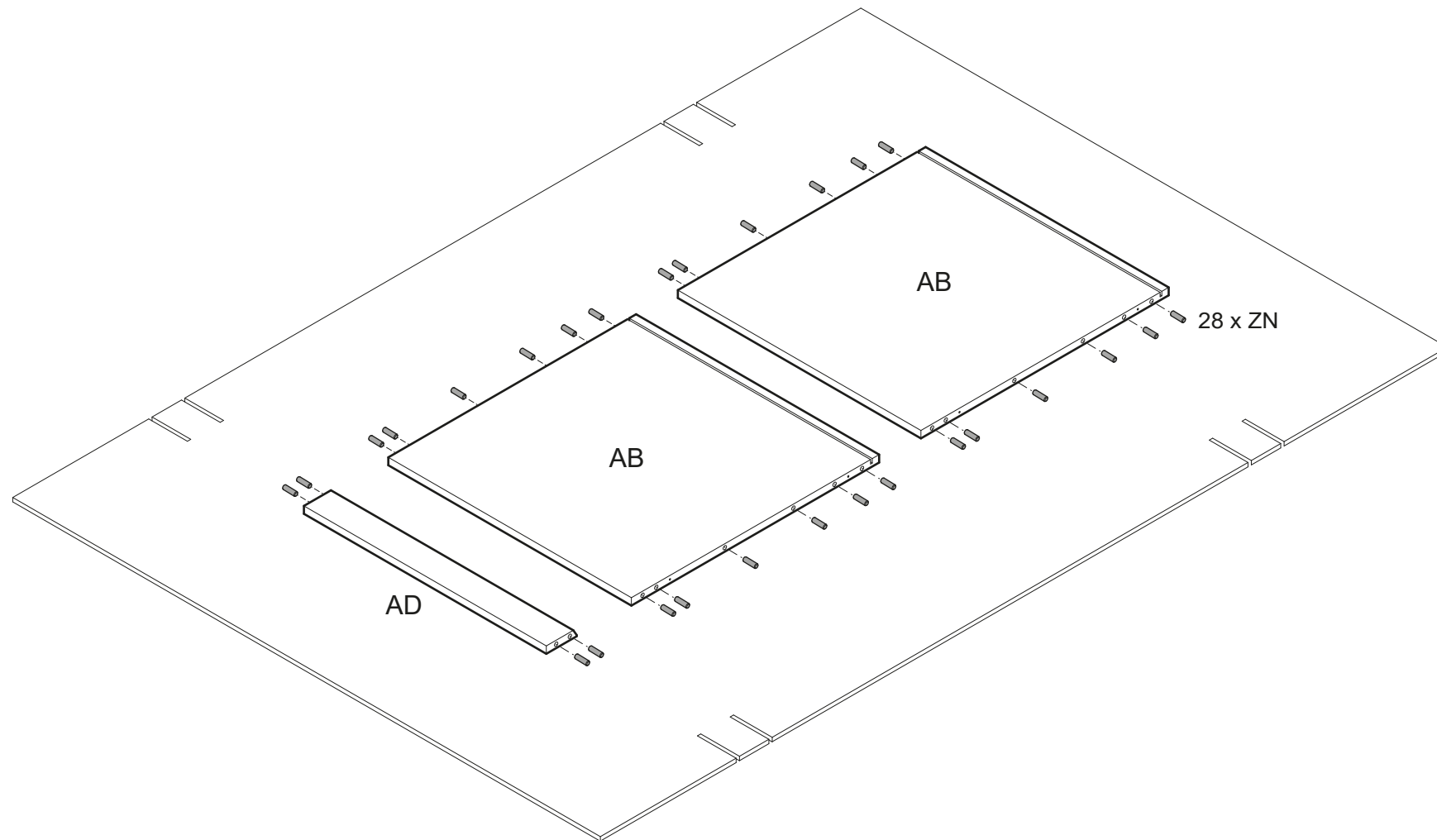


DS40  
DS50  
DS60

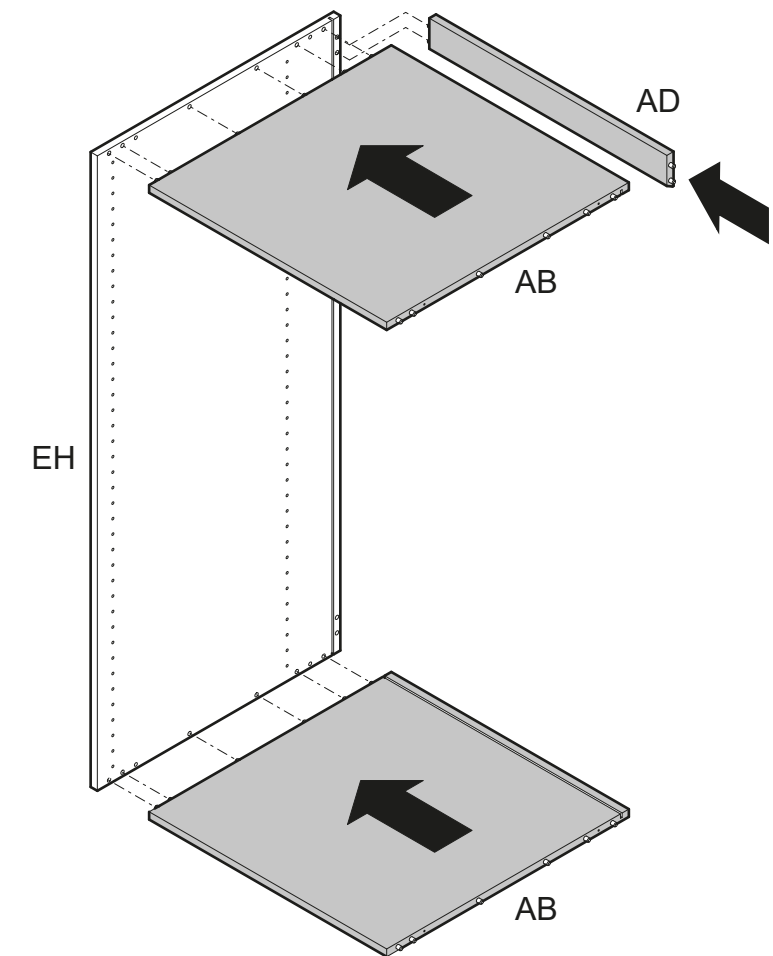
SV025



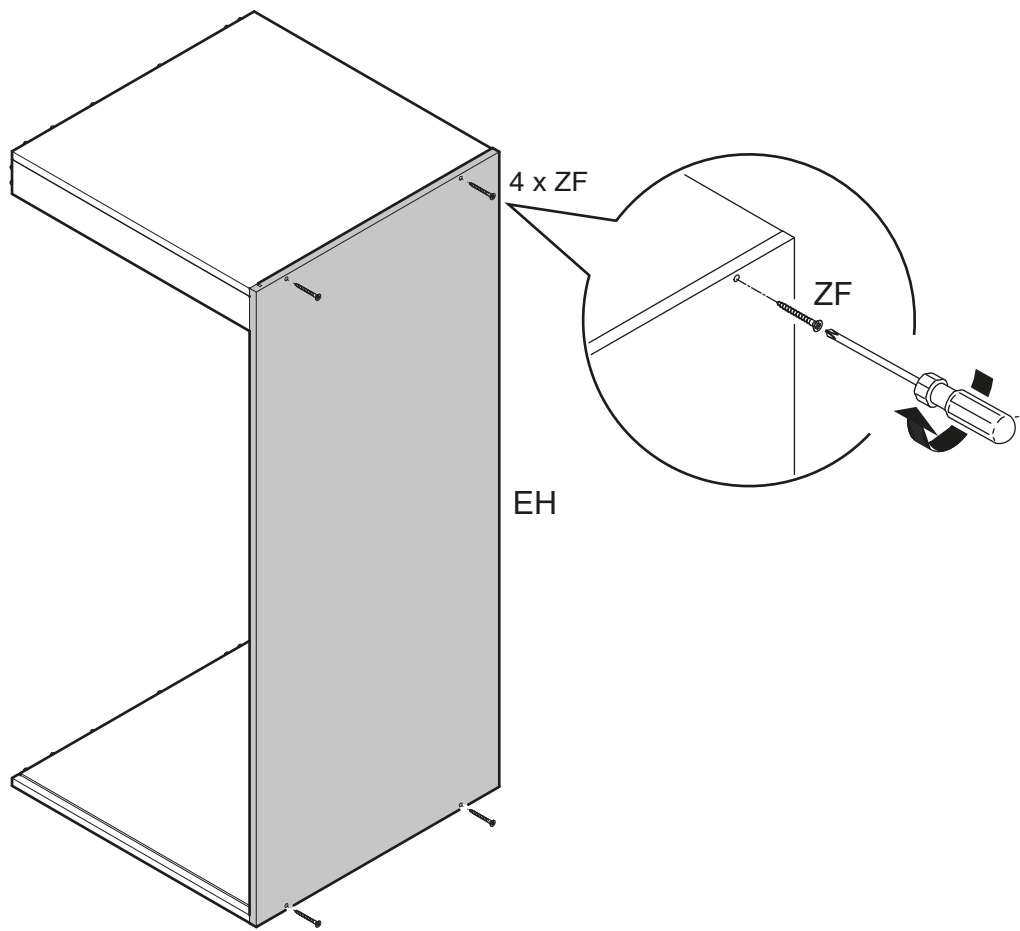
1



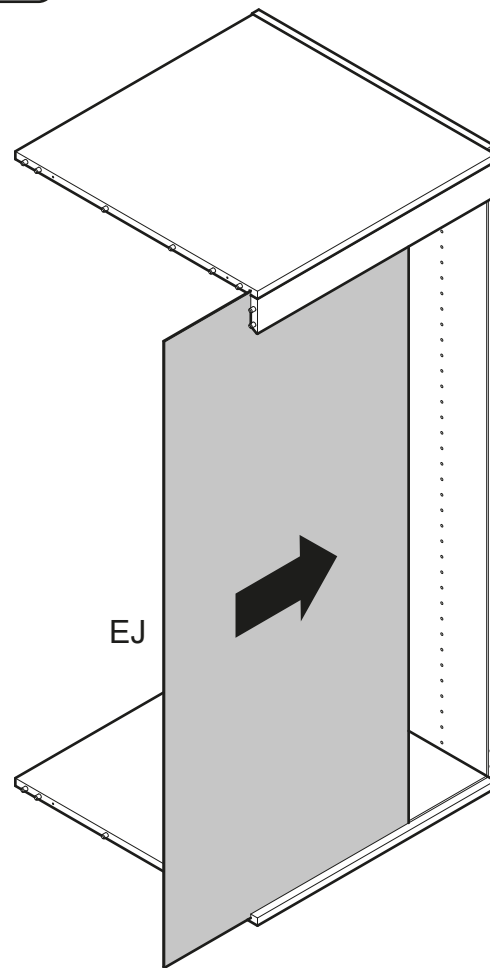
2



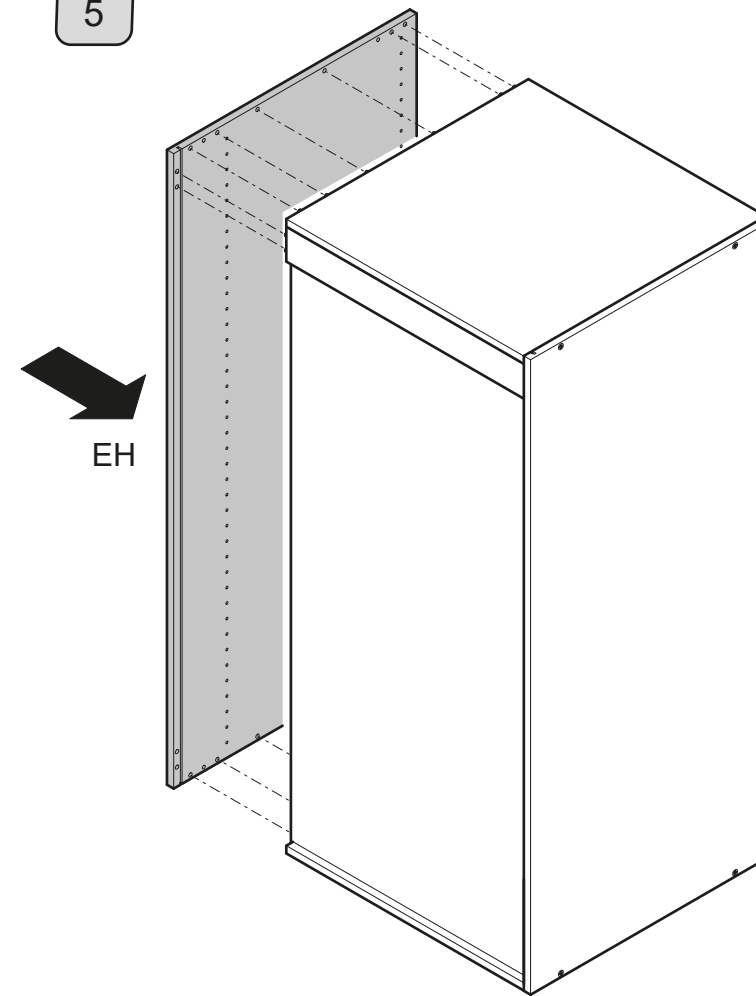
3



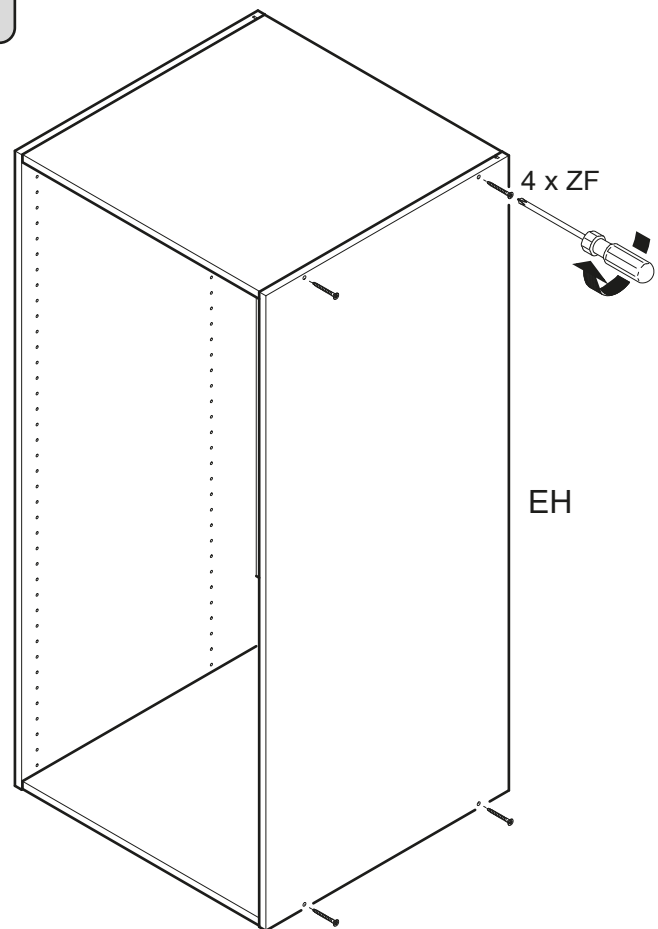
4



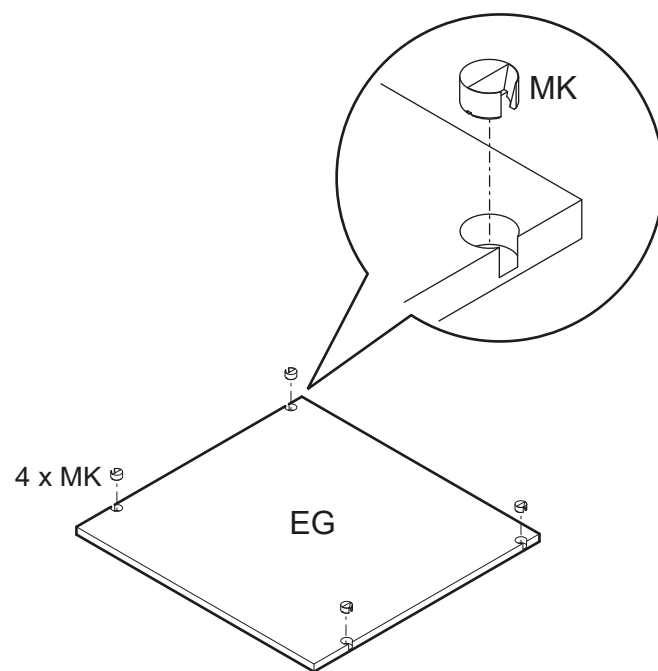
5



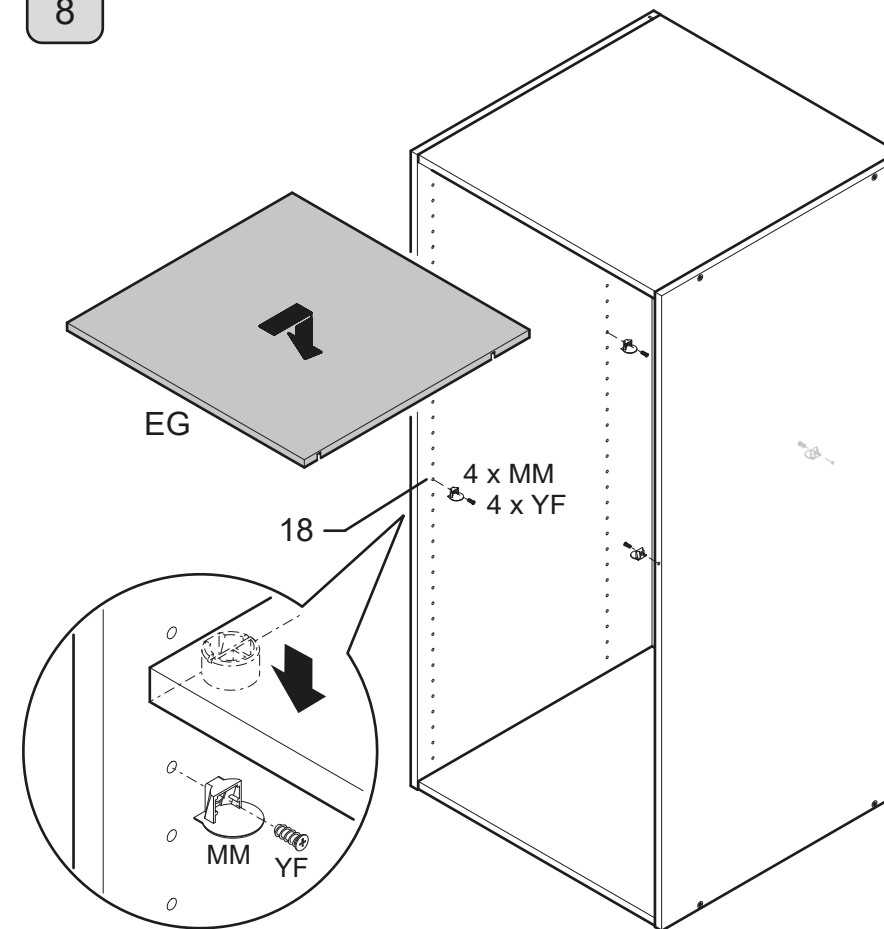
6



7



8



# IC100



2 x A



4 x D



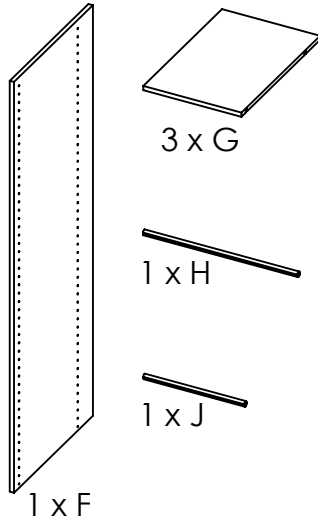
12 x B



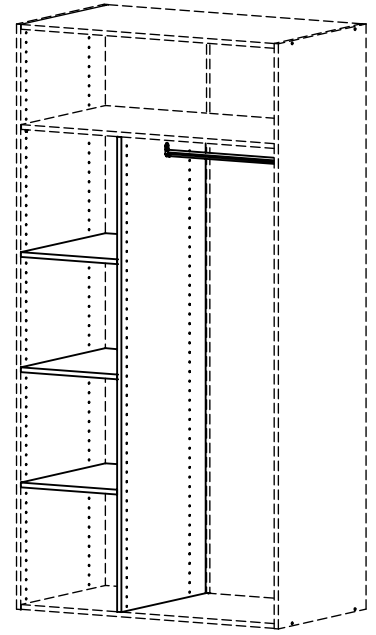
12 x E



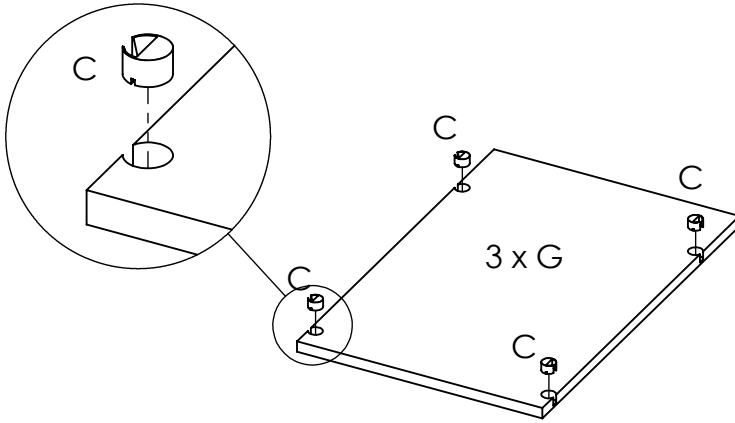
12 x C



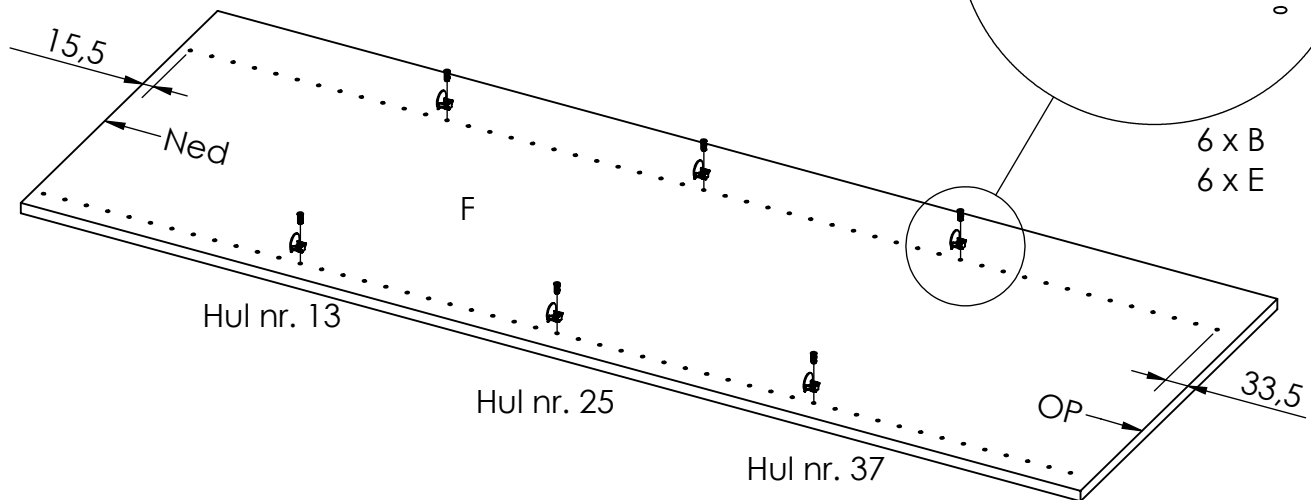
1 x F



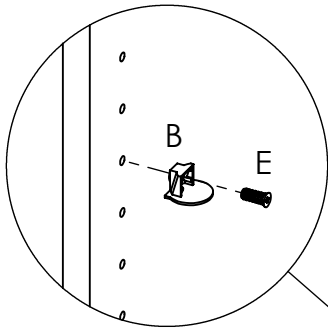
**1**



**2**



**3**

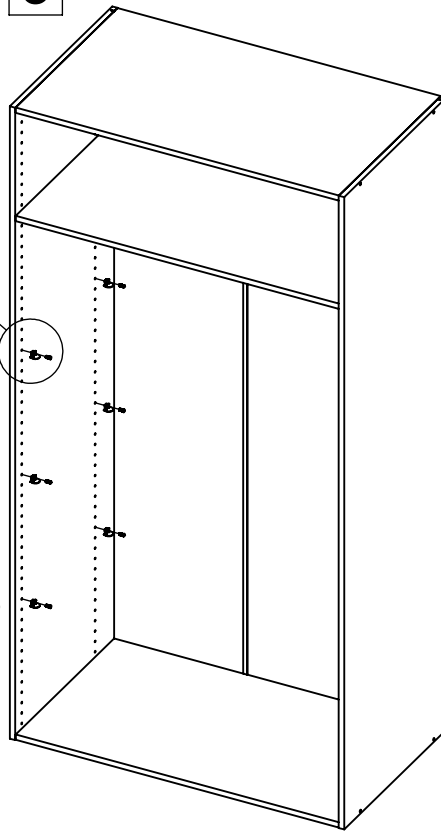


6 x B  
6 x E

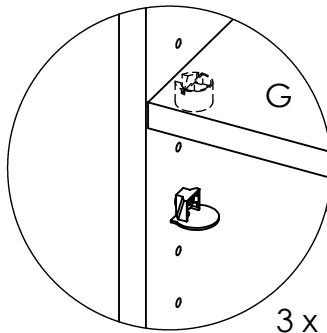
Hul nr. 37

Hul nr. 25

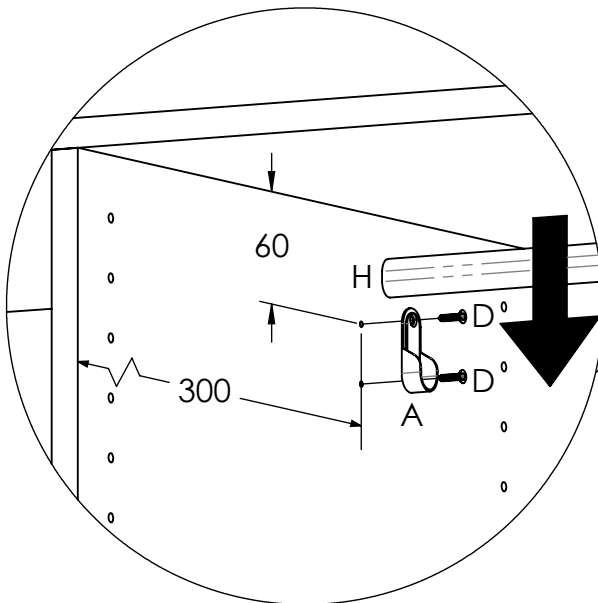
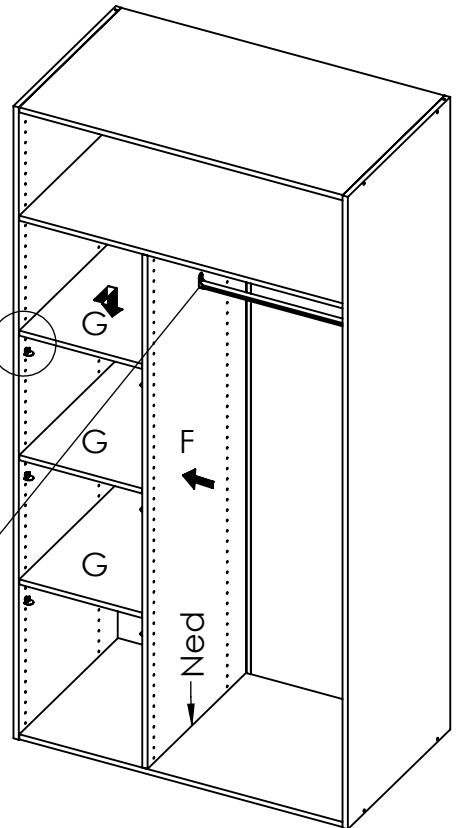
Hul nr. 13



**4**



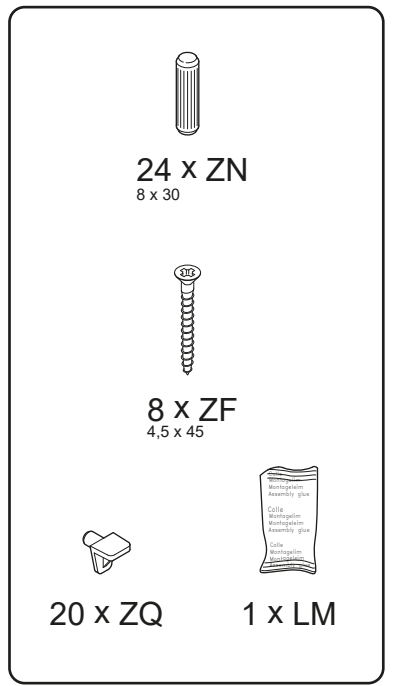
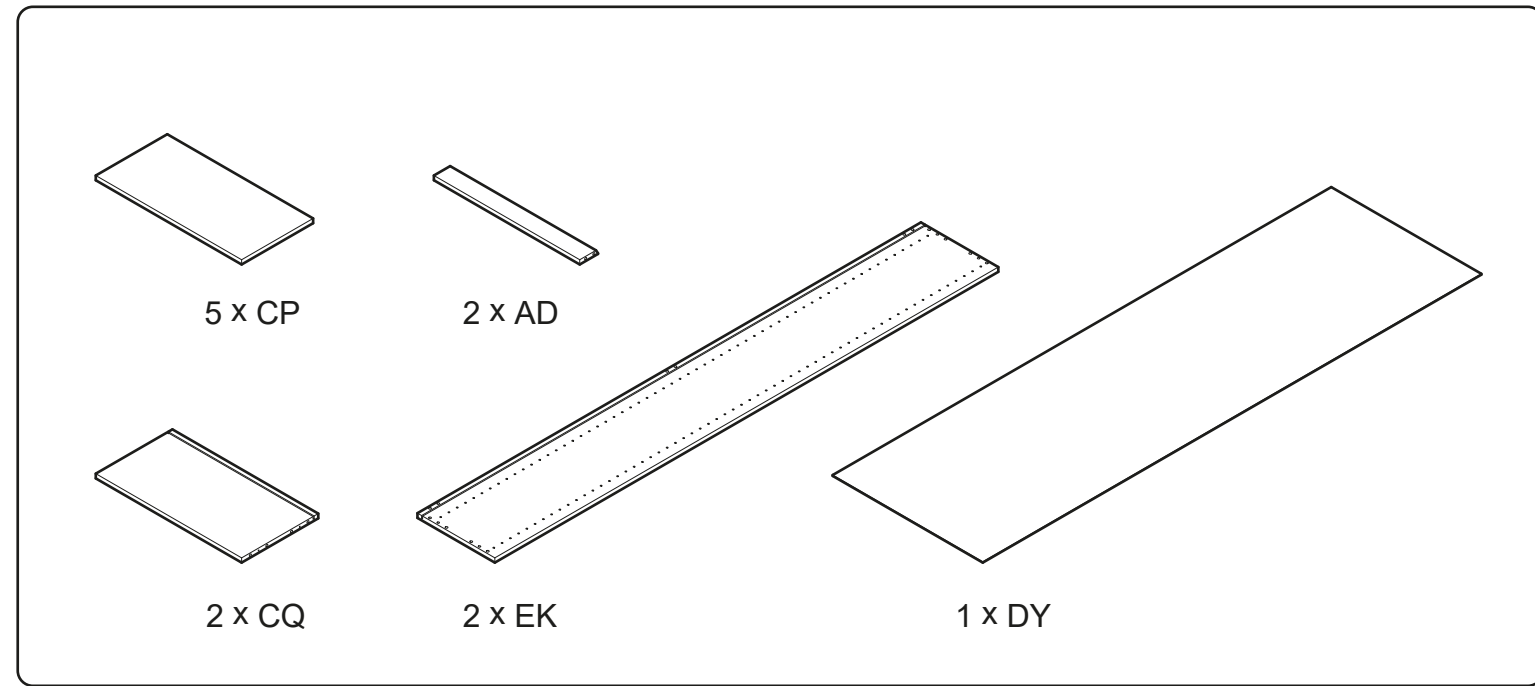
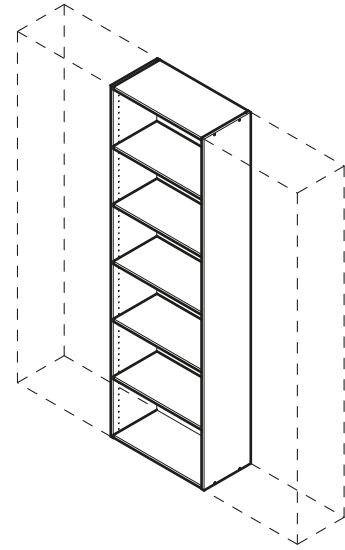
3 x G



2 x A  
4 x D  
1 x H / J

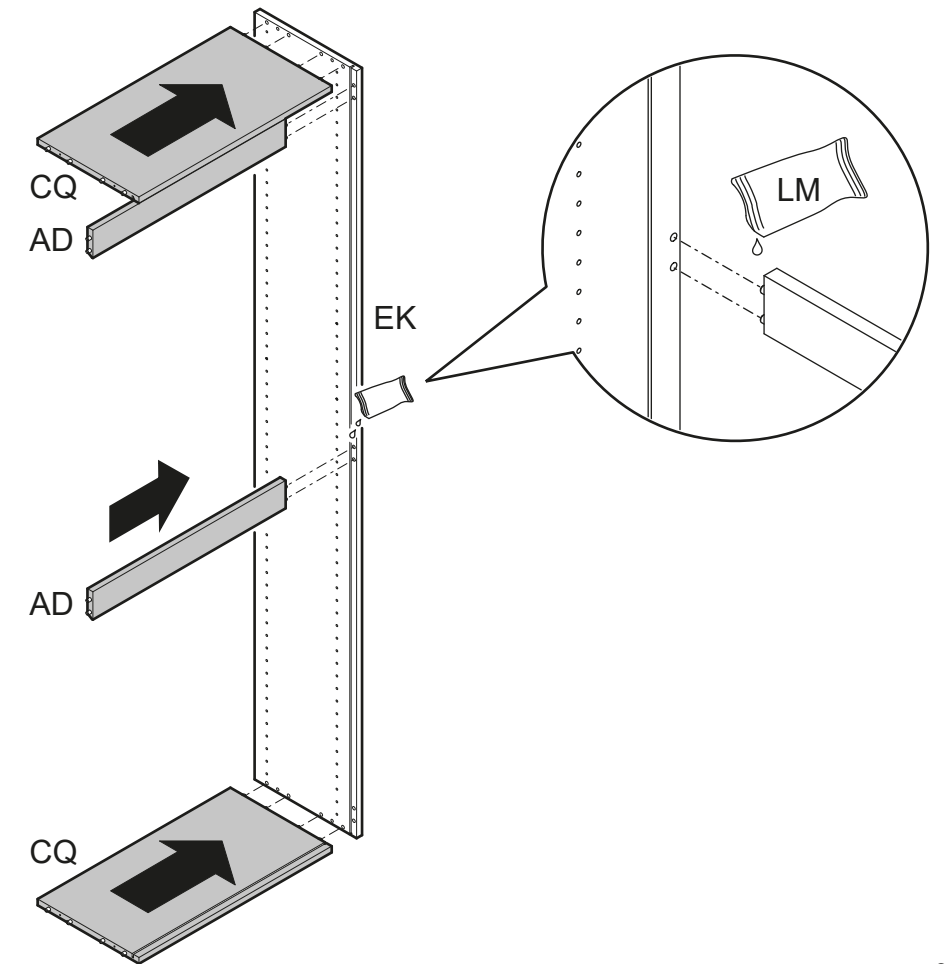
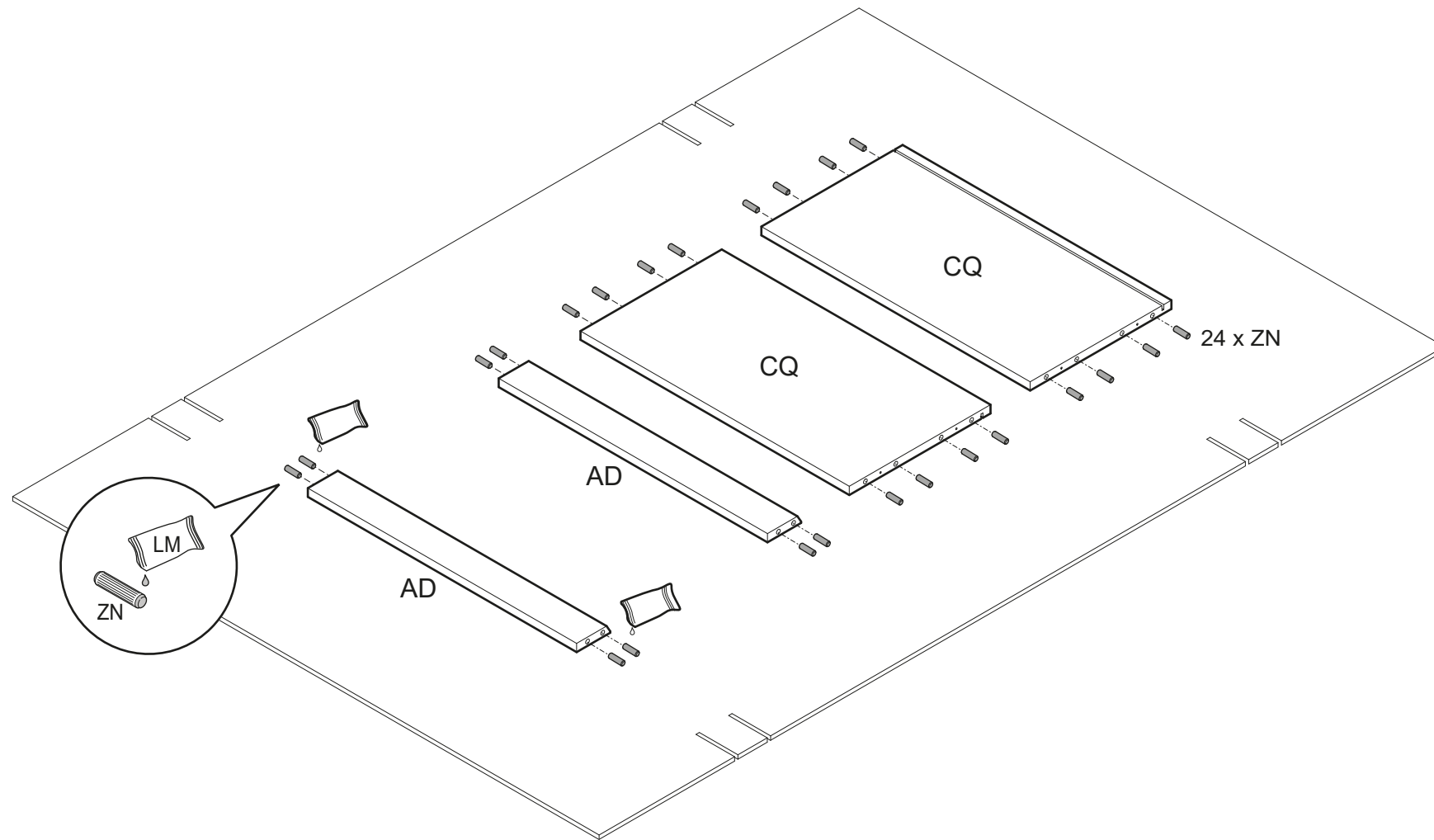
HDH40  
HDH50  
HDH60  
HDH80

SV027



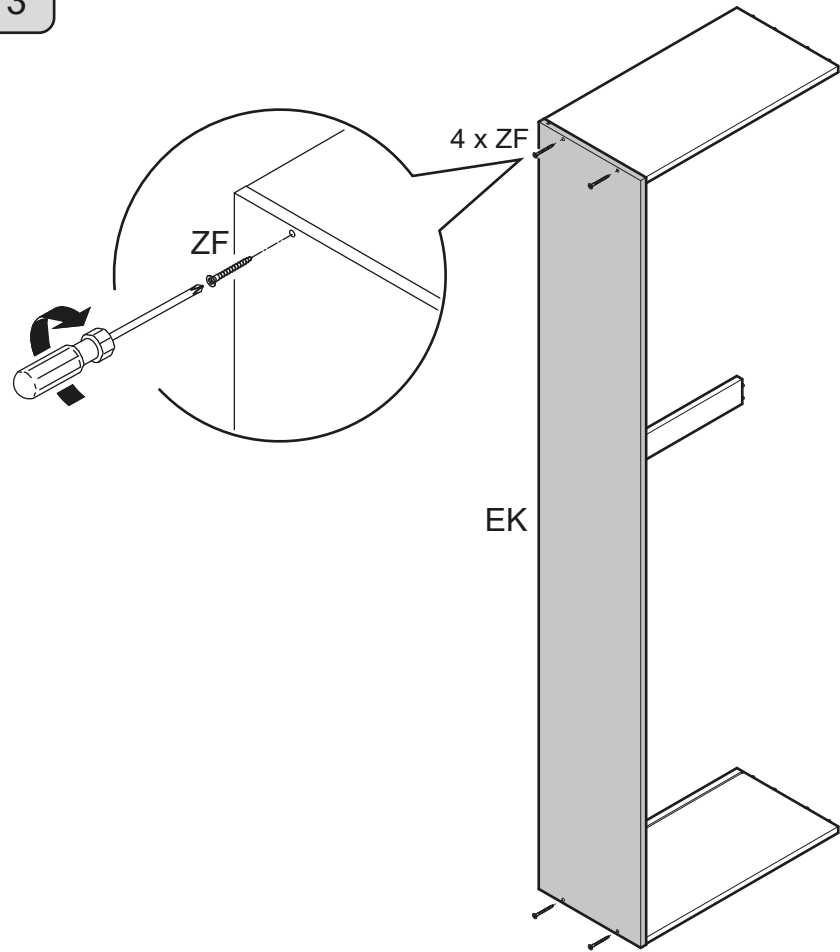
1

2

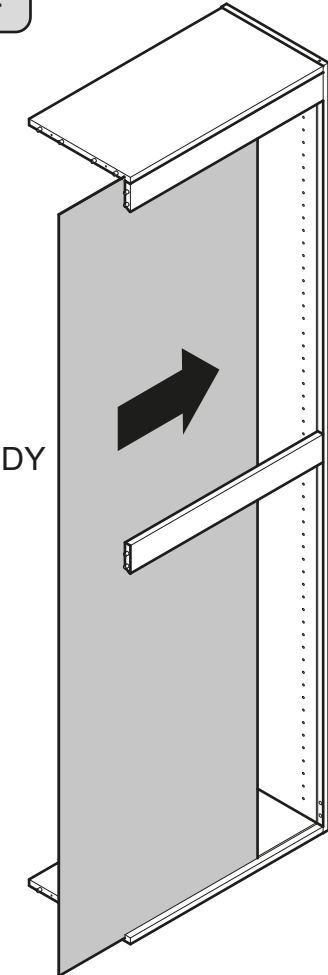




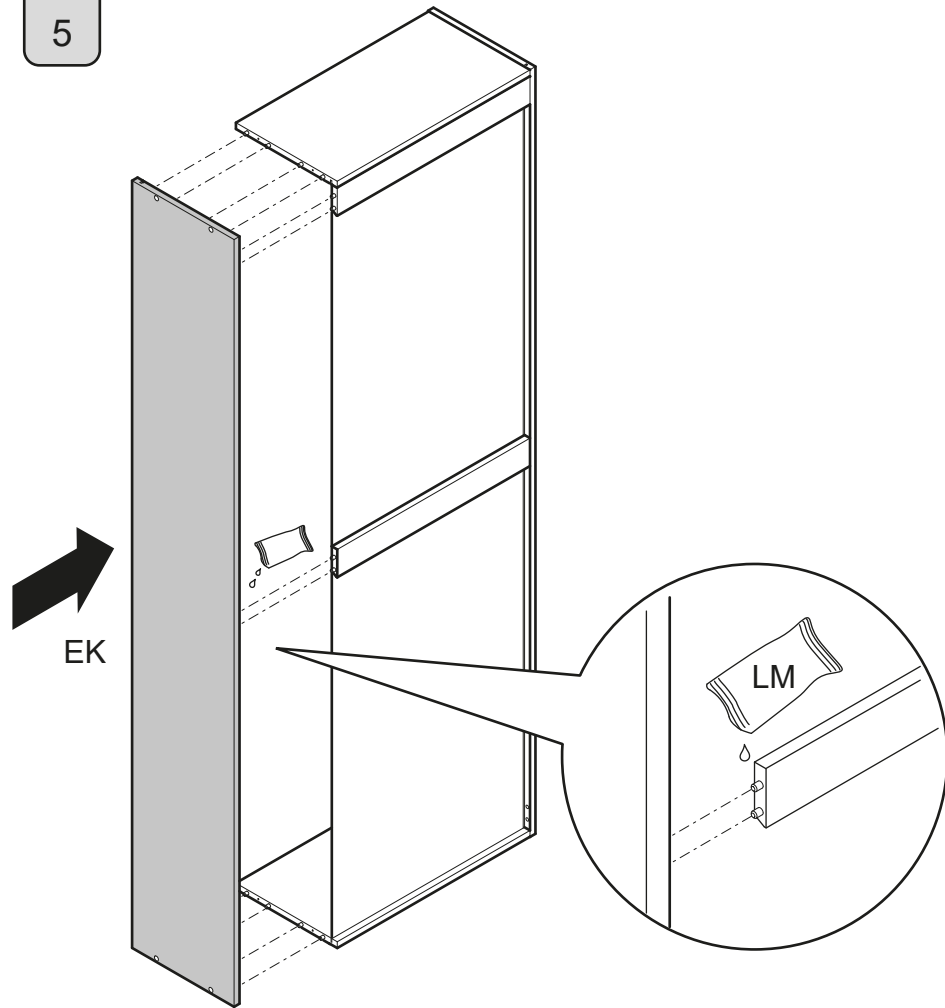
3



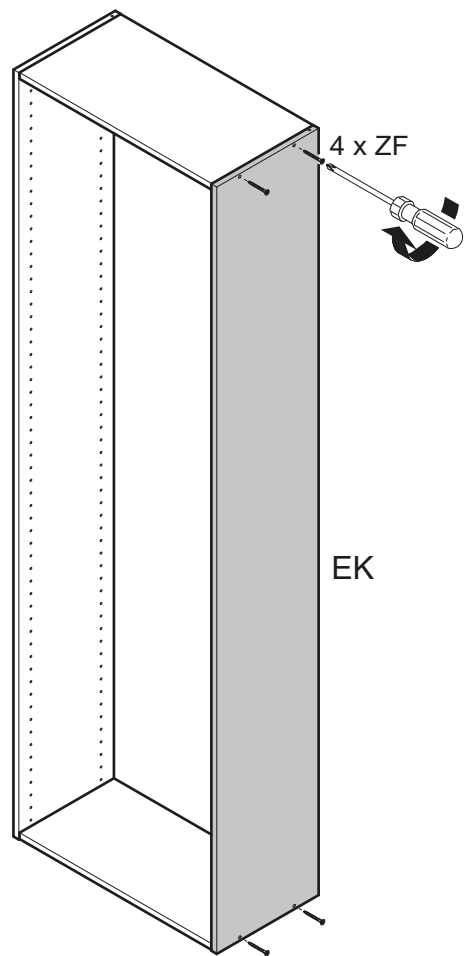
4



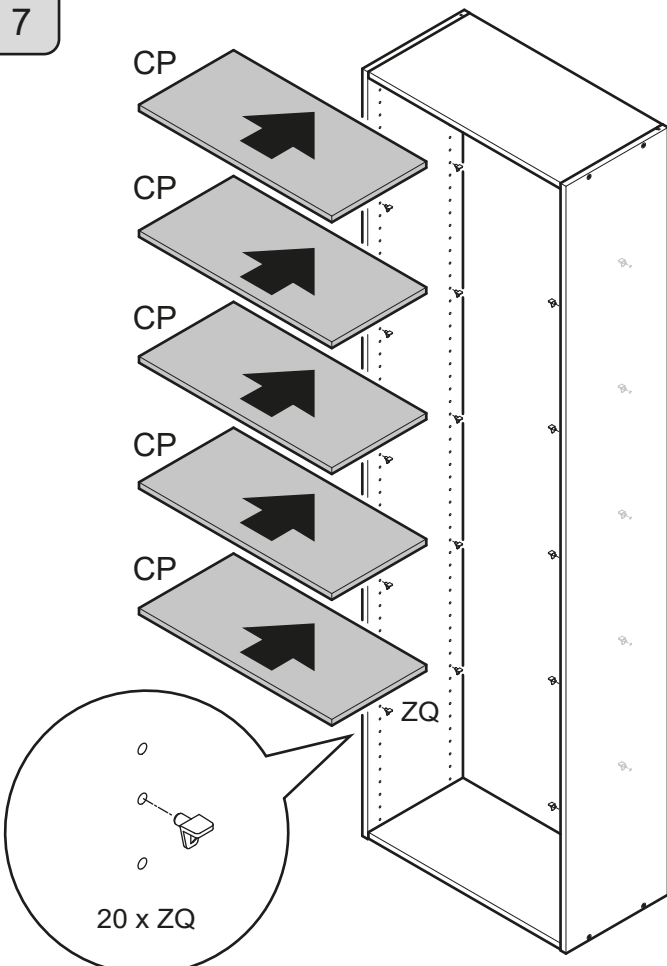
5



6



7



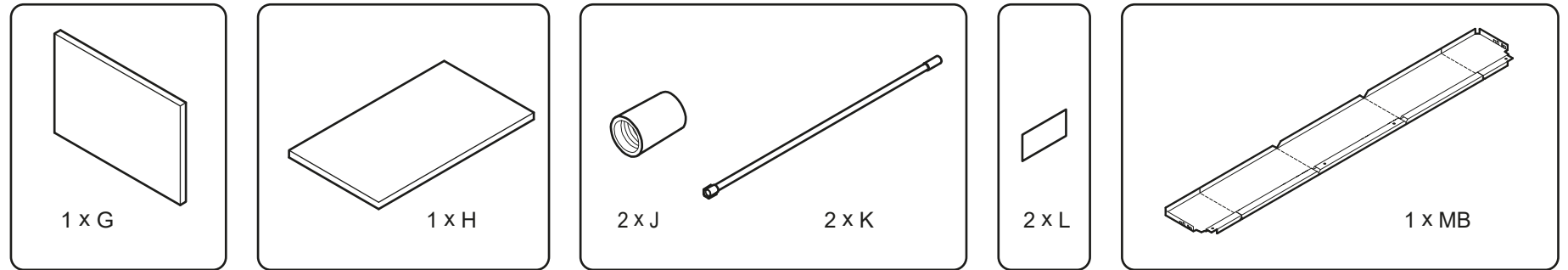
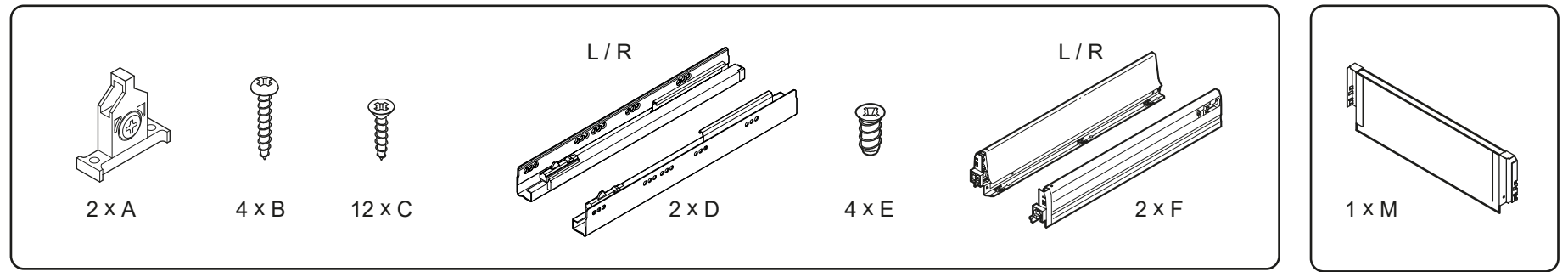
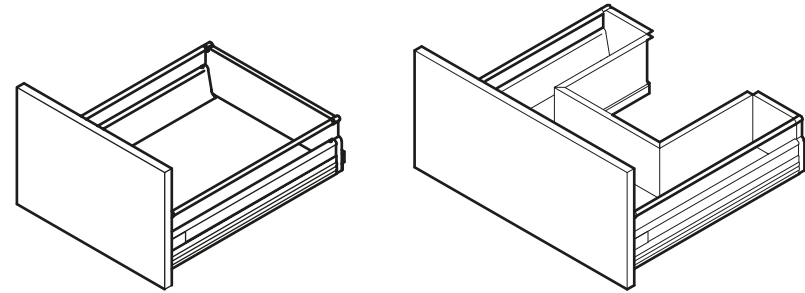
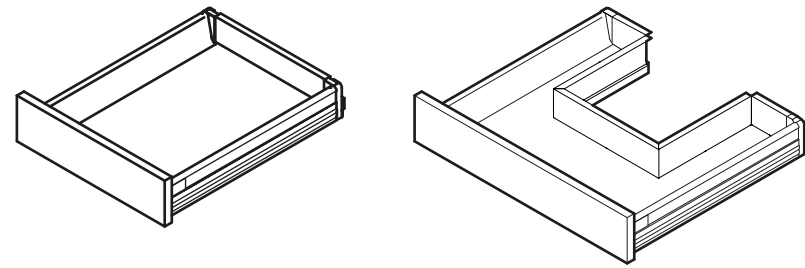
STBL30  
STBL40  
STBL60  
STBL80  
STBL100

STBH30  
STBH40  
STBH50  
STBH60  
STBH80  
STBH100  
STBH120

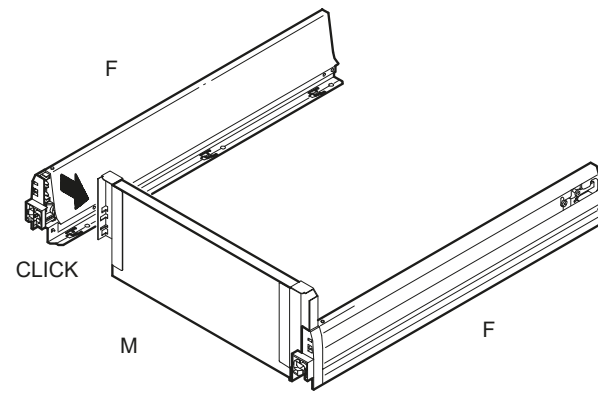
STBVL60  
STBVL80  
STBVL100  
STBVL120

STBVH60  
STBVH80  
STBVH100

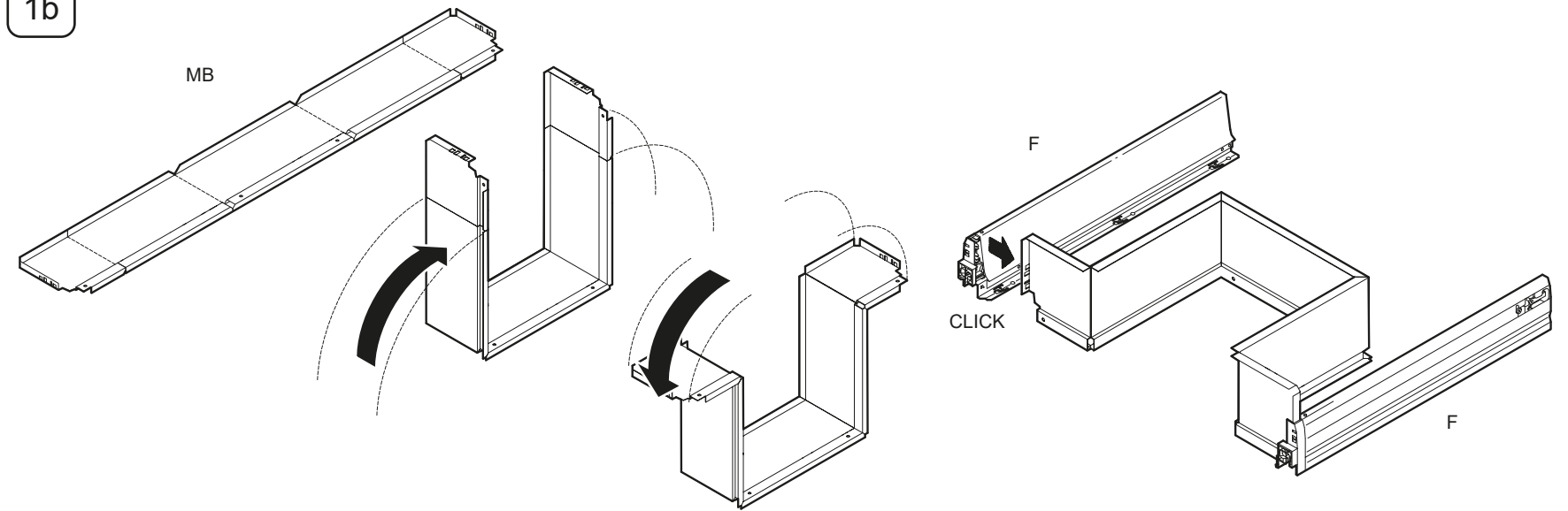
SV028



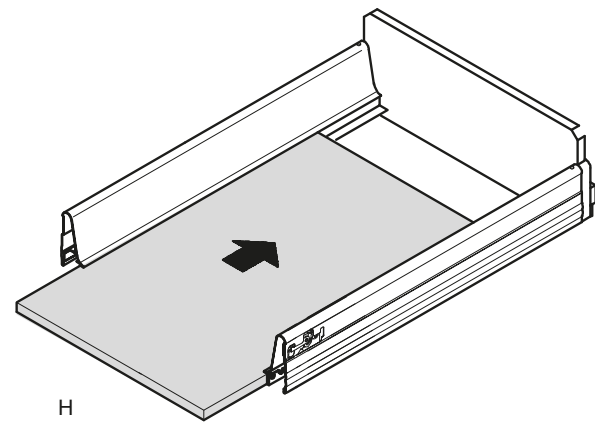
1a



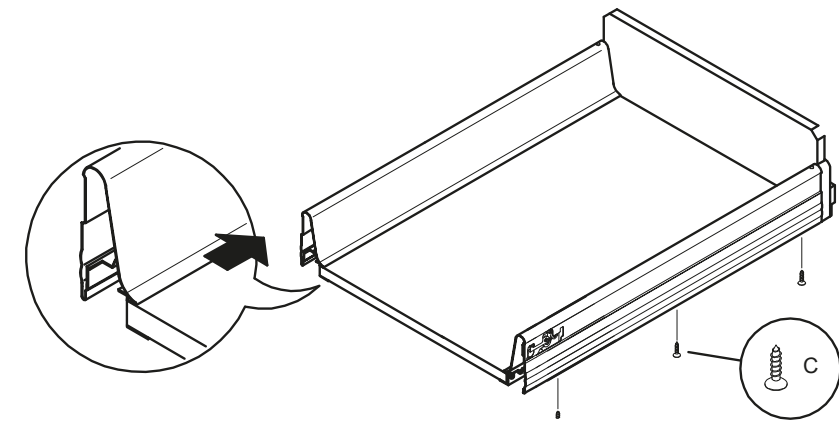
1b



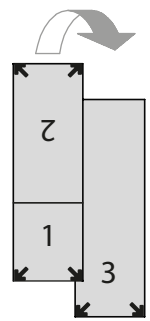
2



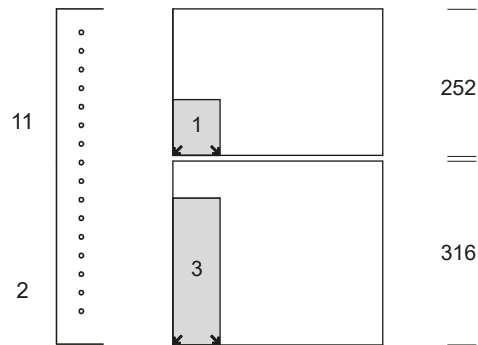
3



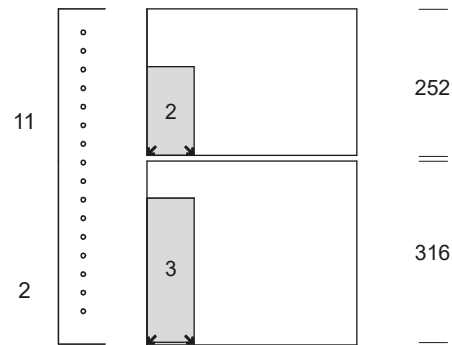
4



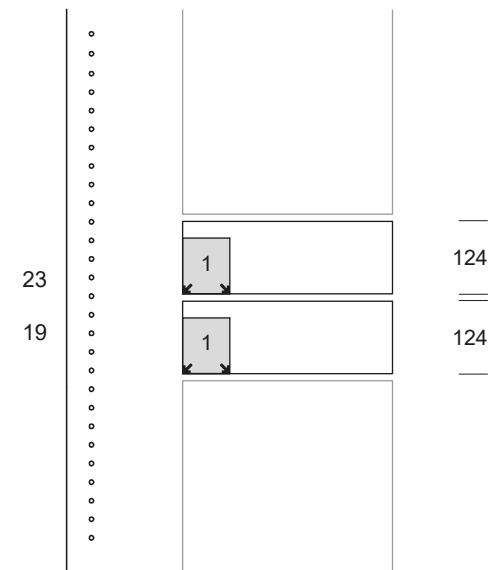
BVS5762-  
 BVS5782-  
 BVS57102-  
 BVS57122-  
 BSI5732-  
 BSI5742-  
 BSI5752-  
 BSI5762-  
 BSI5782-  
 BSI57102-



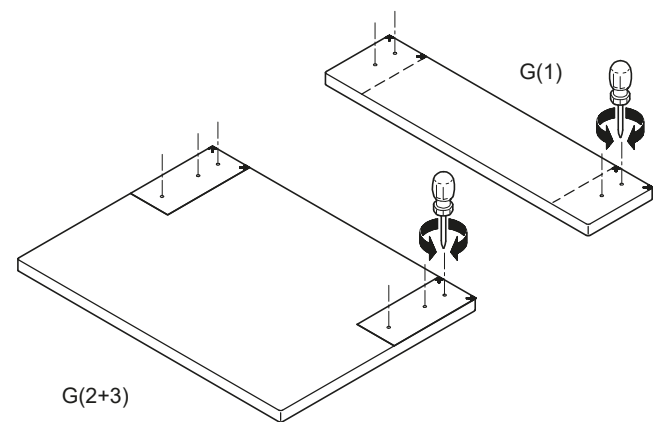
BS5732-  
 BS5742-  
 BS5752-  
 BS5762-  
 BS5782-  
 BS57102-  
 BVS7062-  
 BVS7082-  
 BVS70102-



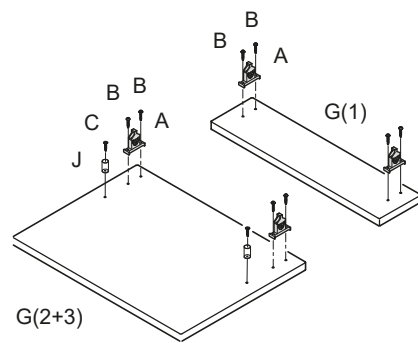
BHS17234-  
 BHS17244-  
 SBHS17230-  
 SBHS17240-



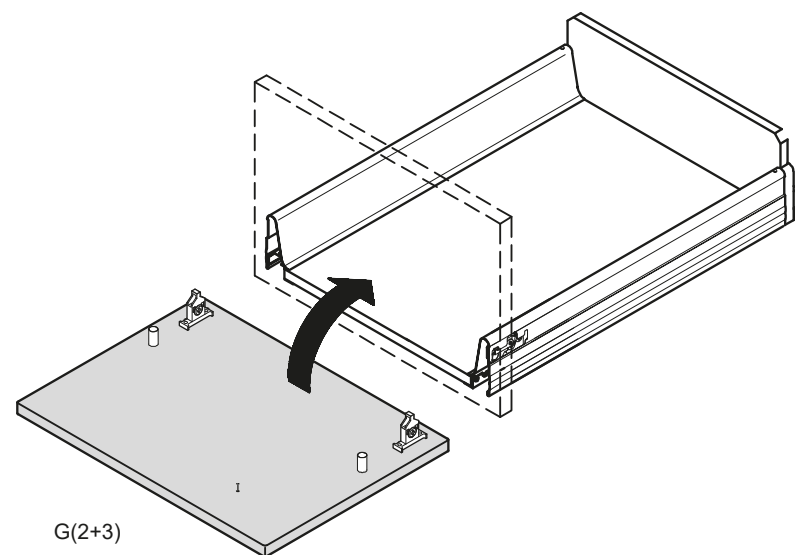
5



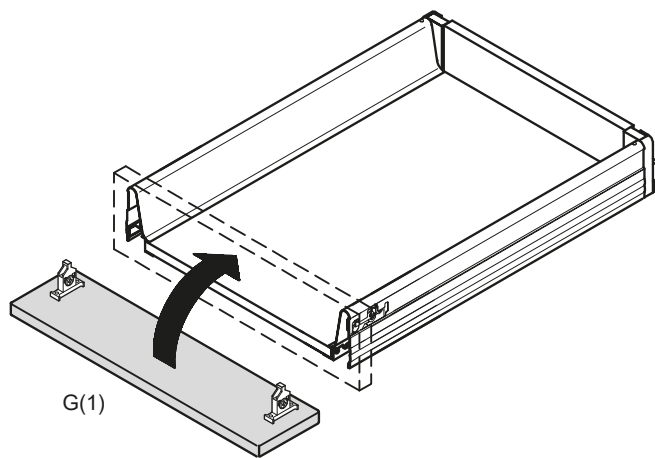
6



7

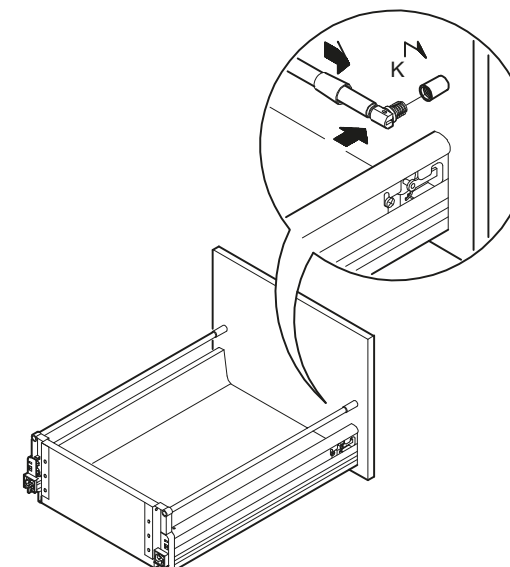


7b

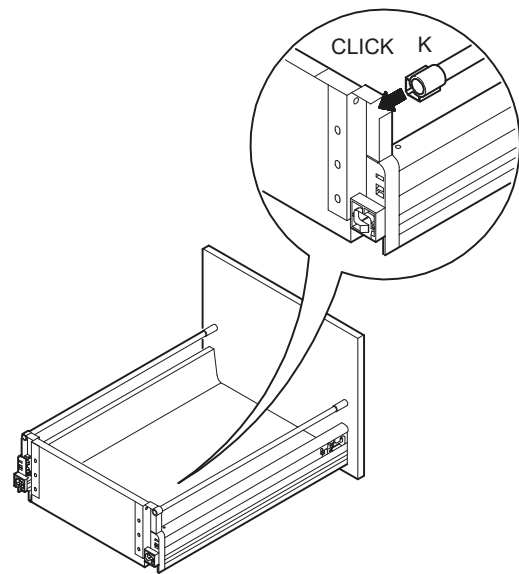


2 / 3 SV028

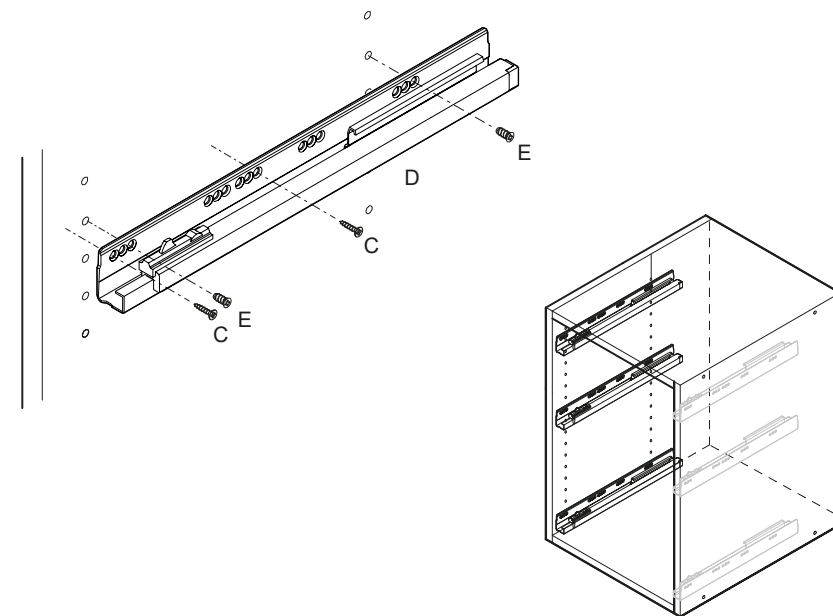
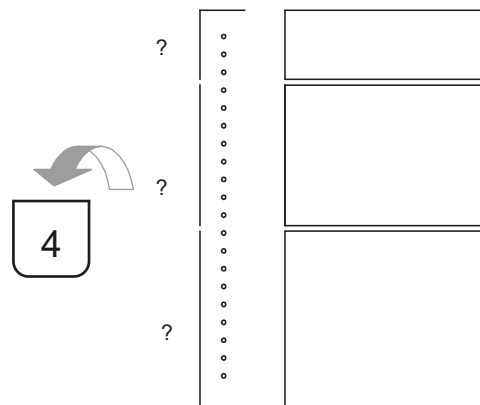
8



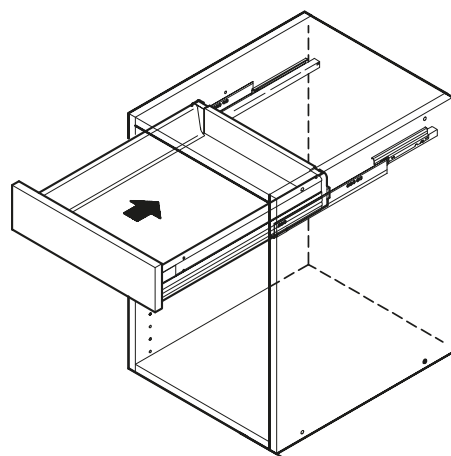
9



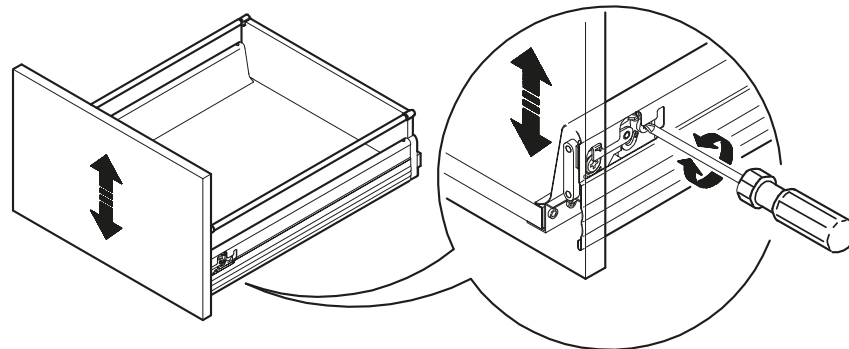
10



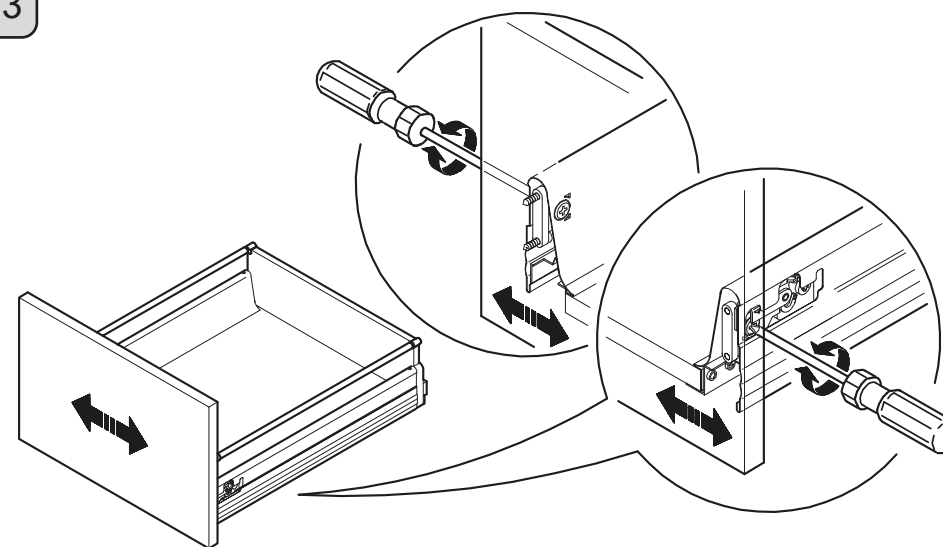
11



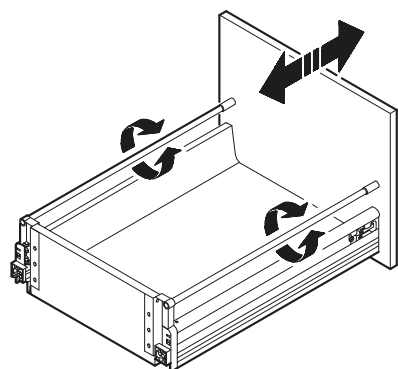
12



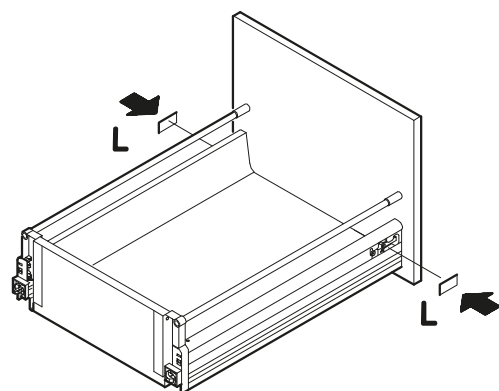
13



14

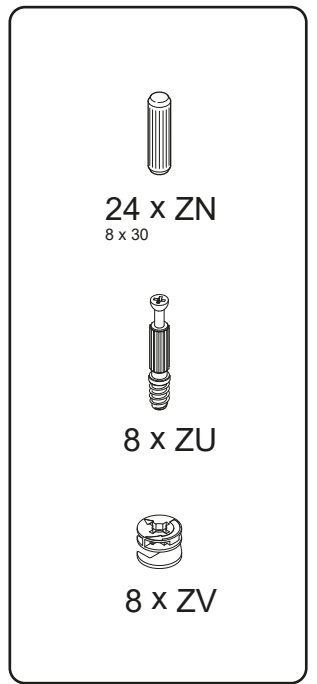
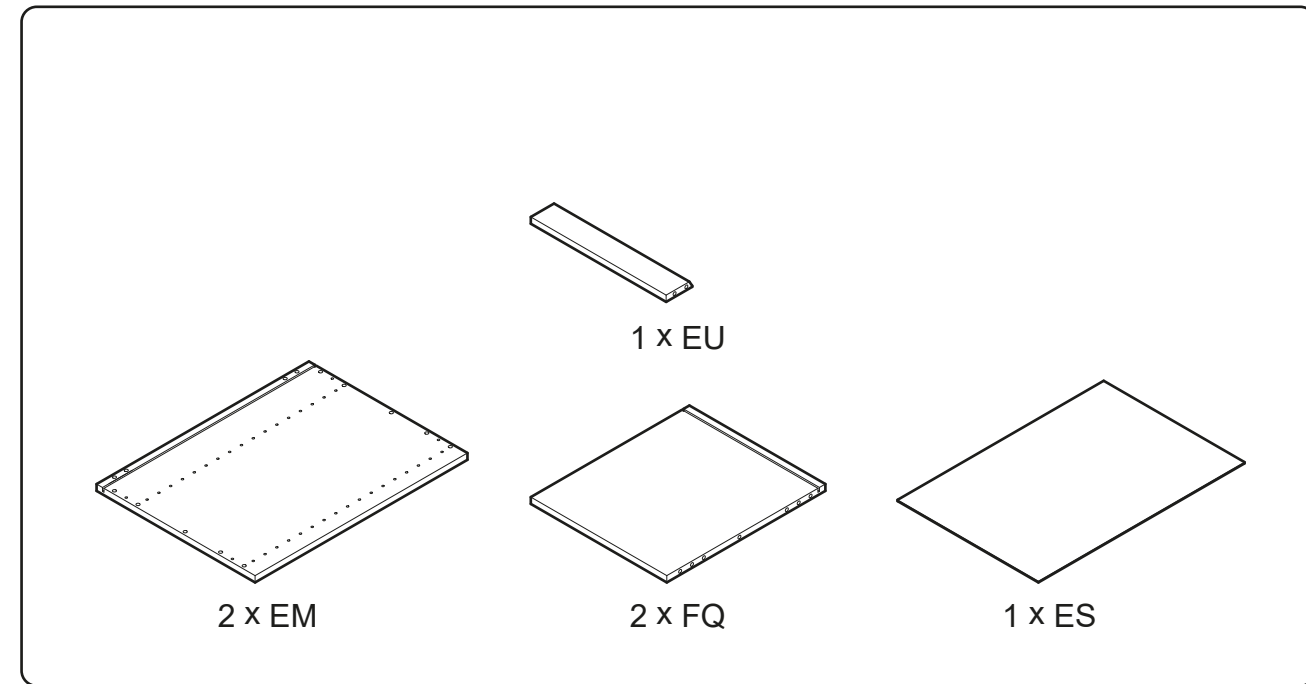
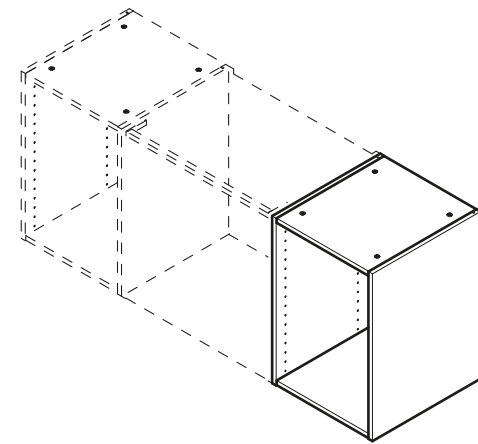


15

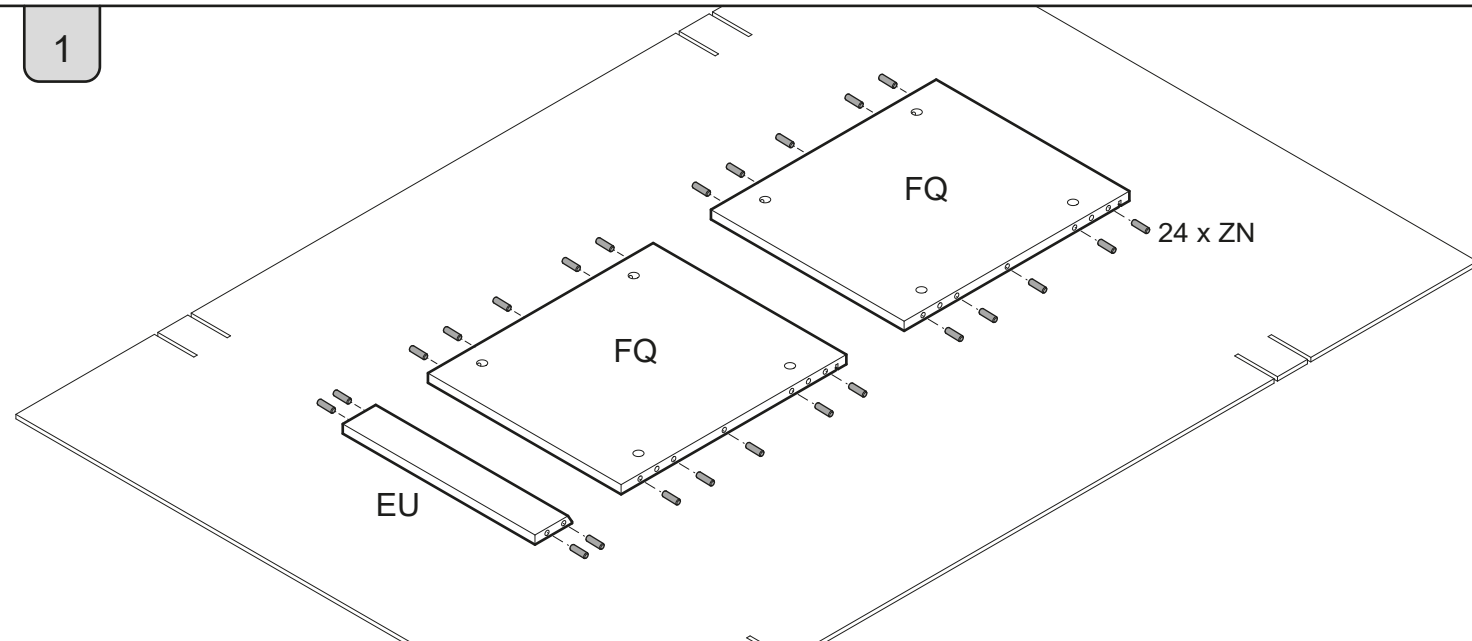


BT30  
 BT40  
 BT50  
 BLU30  
 BLU40  
 BLU50  
 BU30  
 BU40  
 BEHU30  
 BEHU40

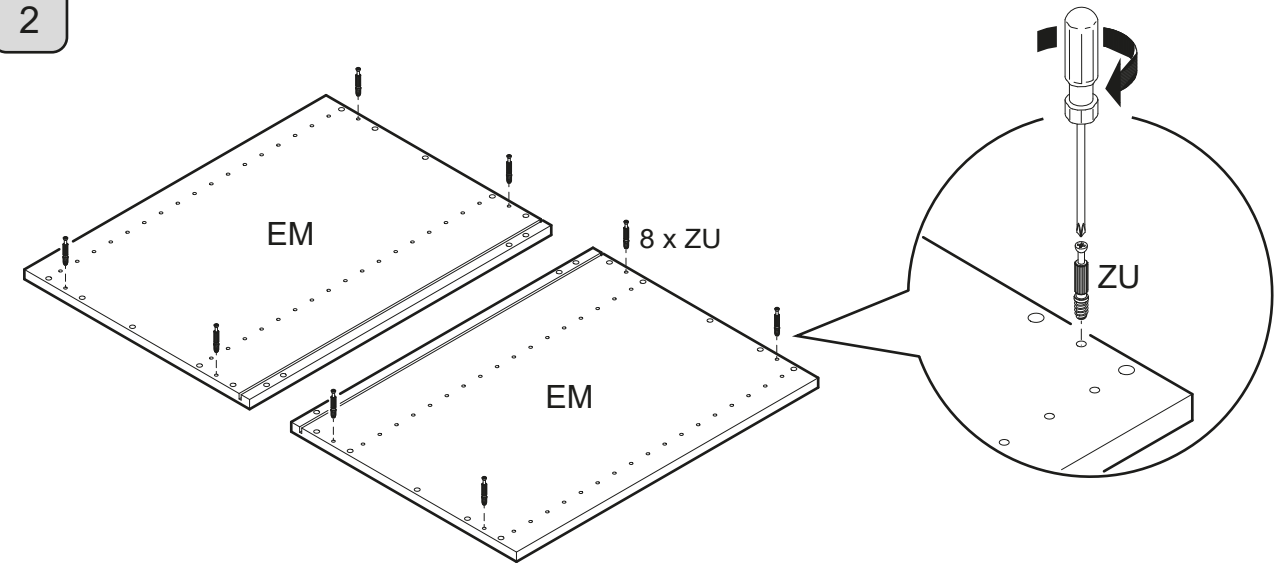
SV029



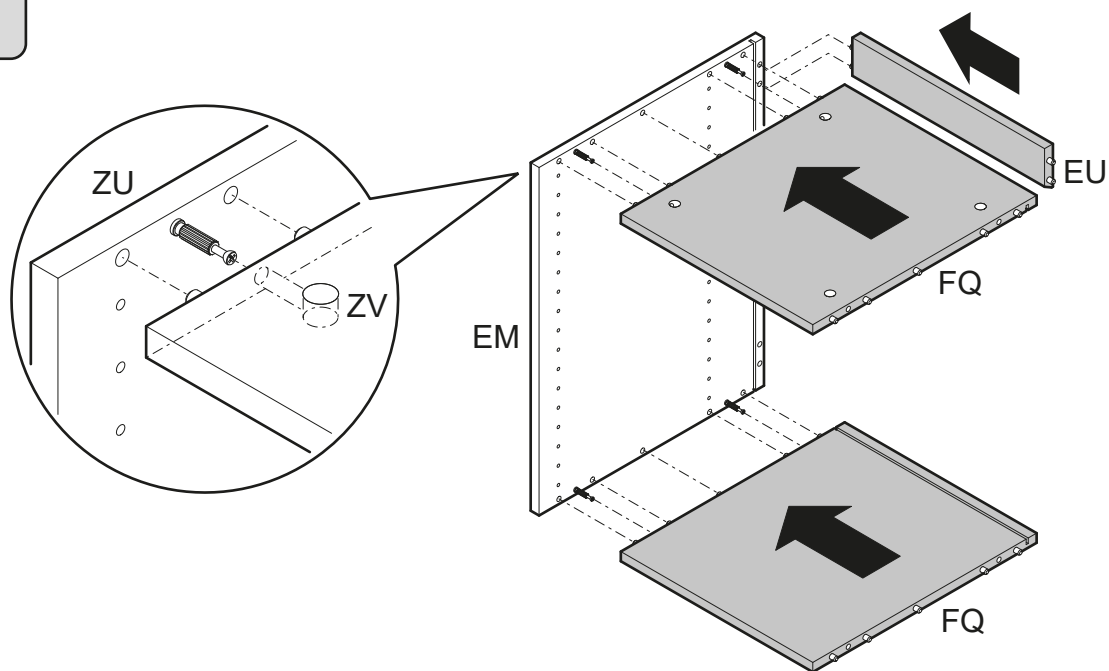
1



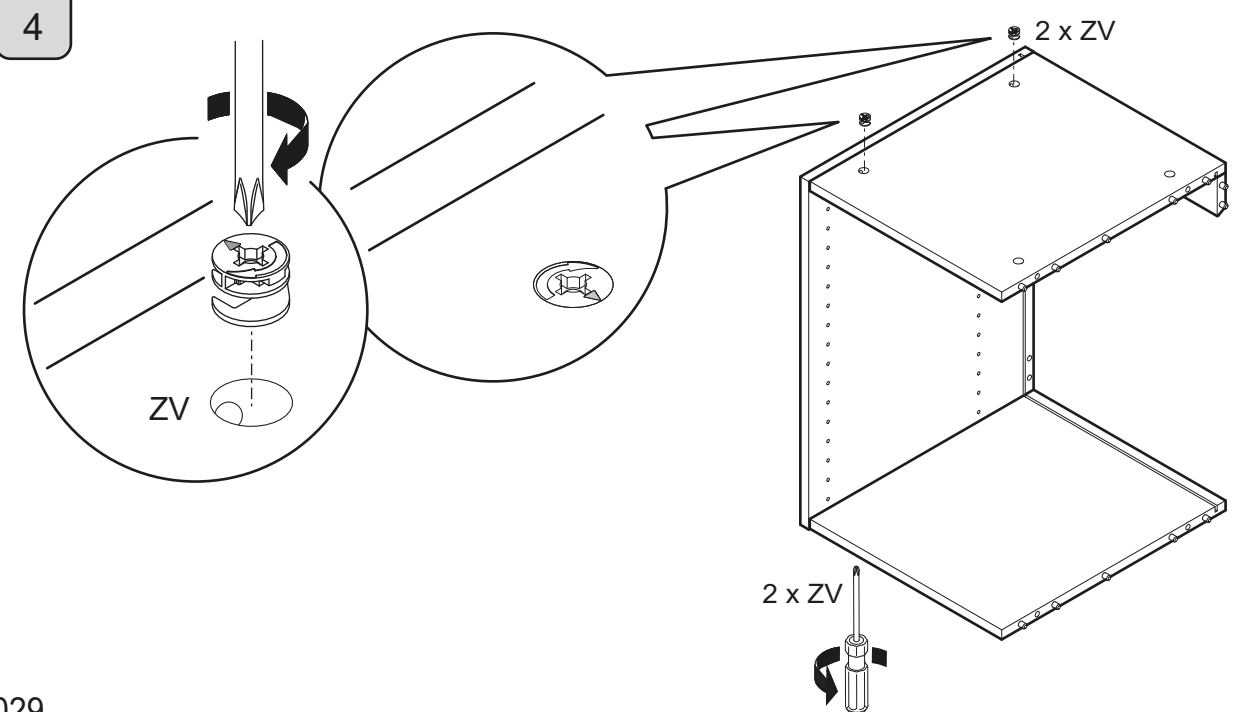
2



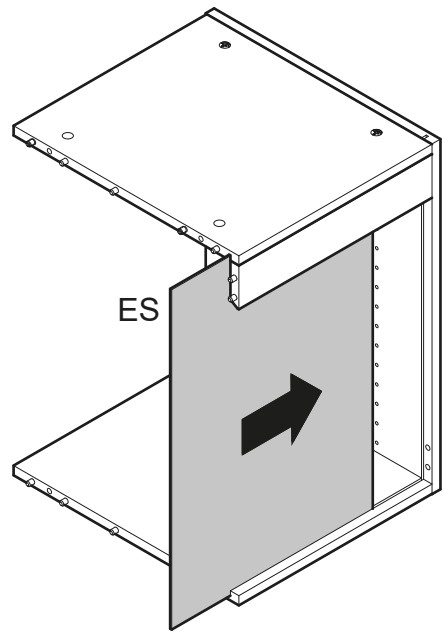
3



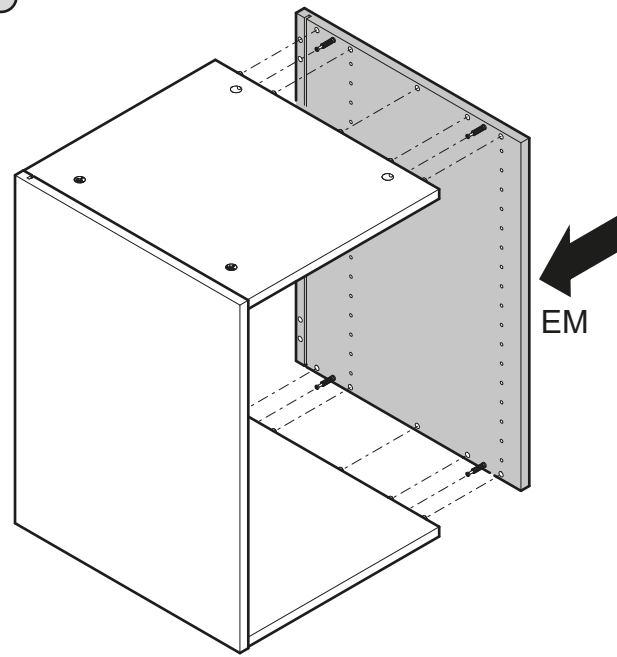
4



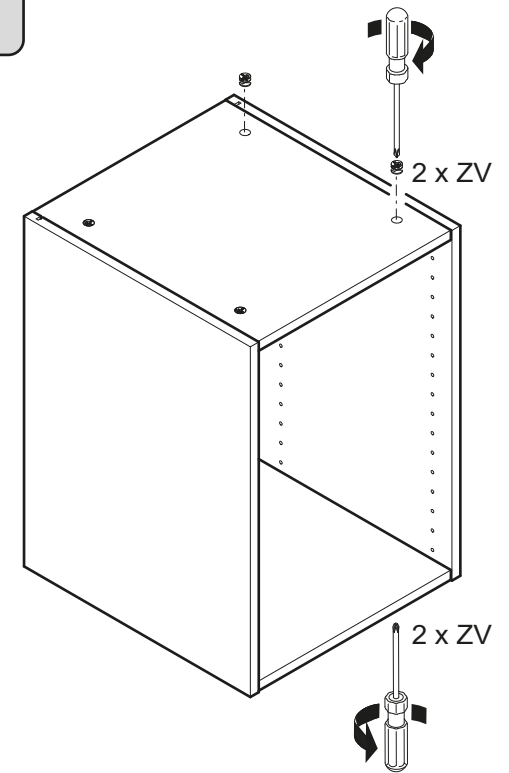
5



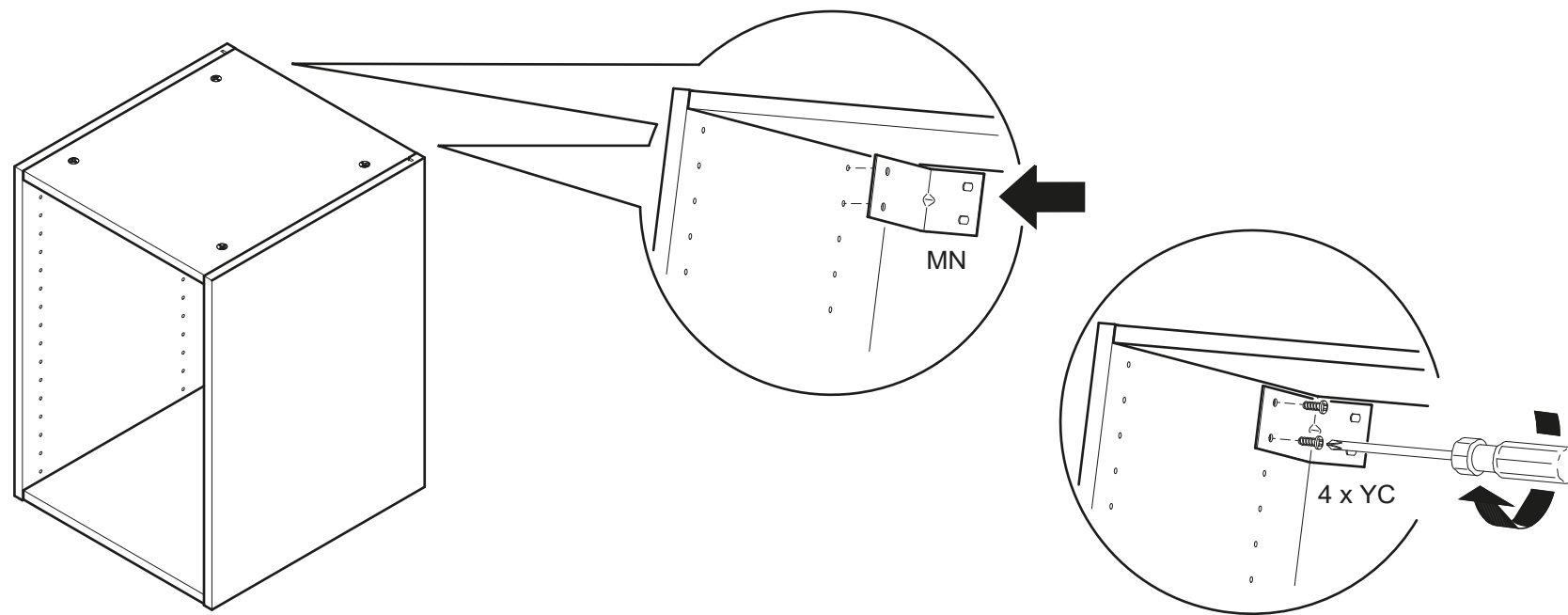
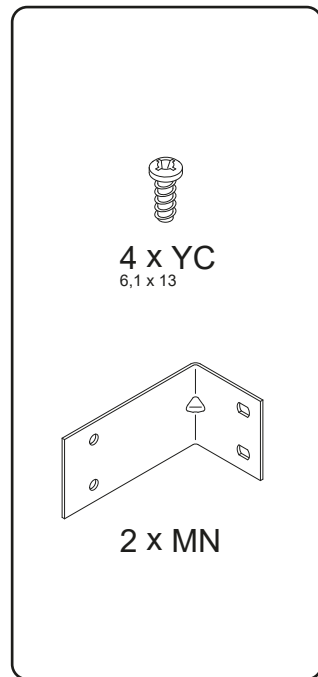
6



7



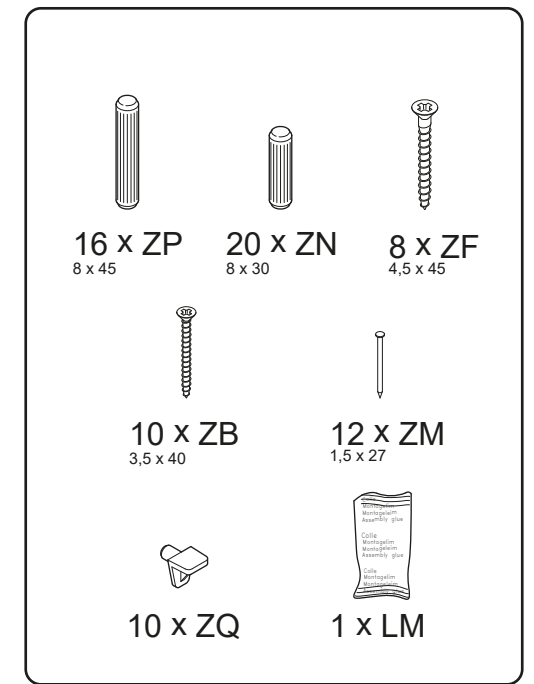
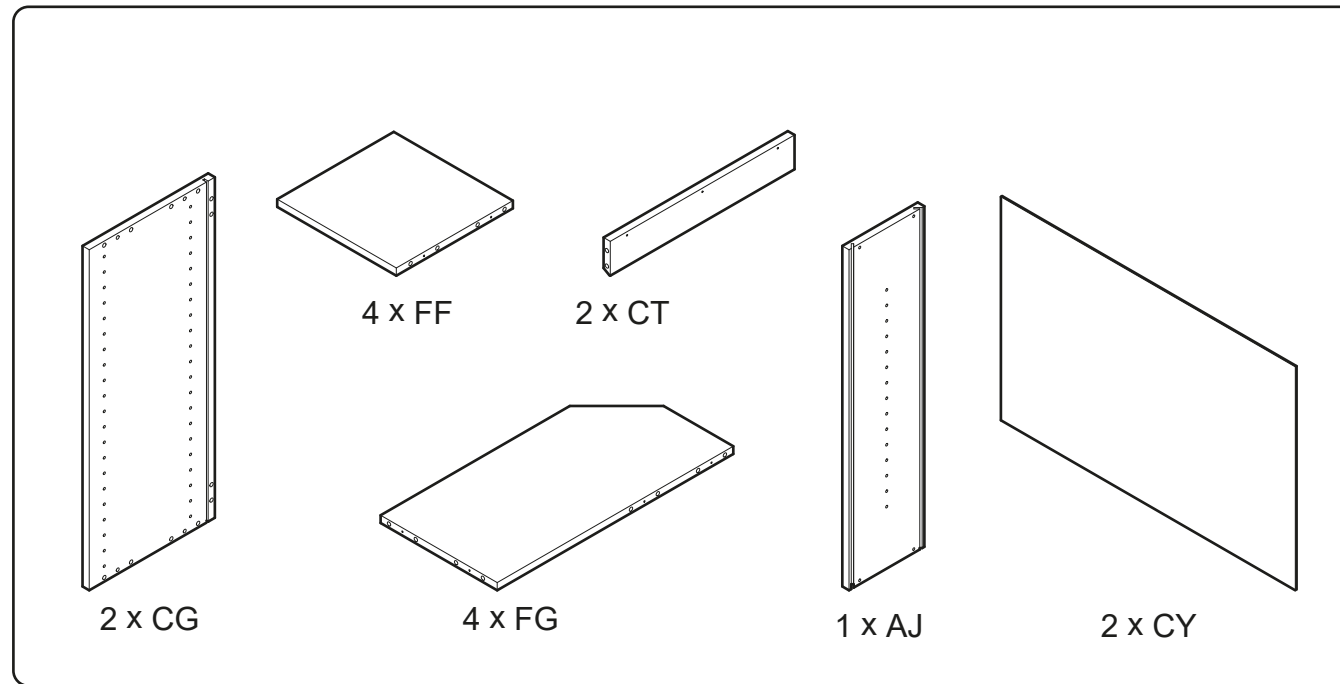
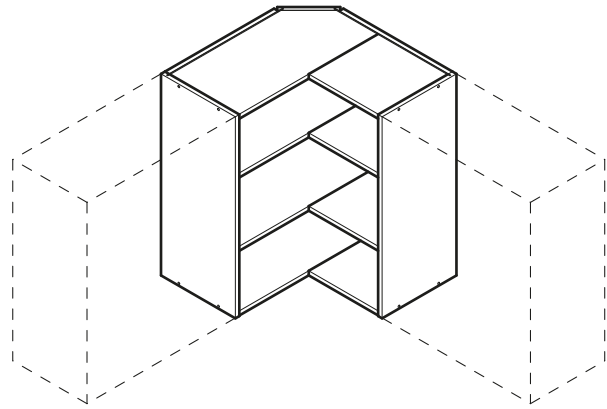
8



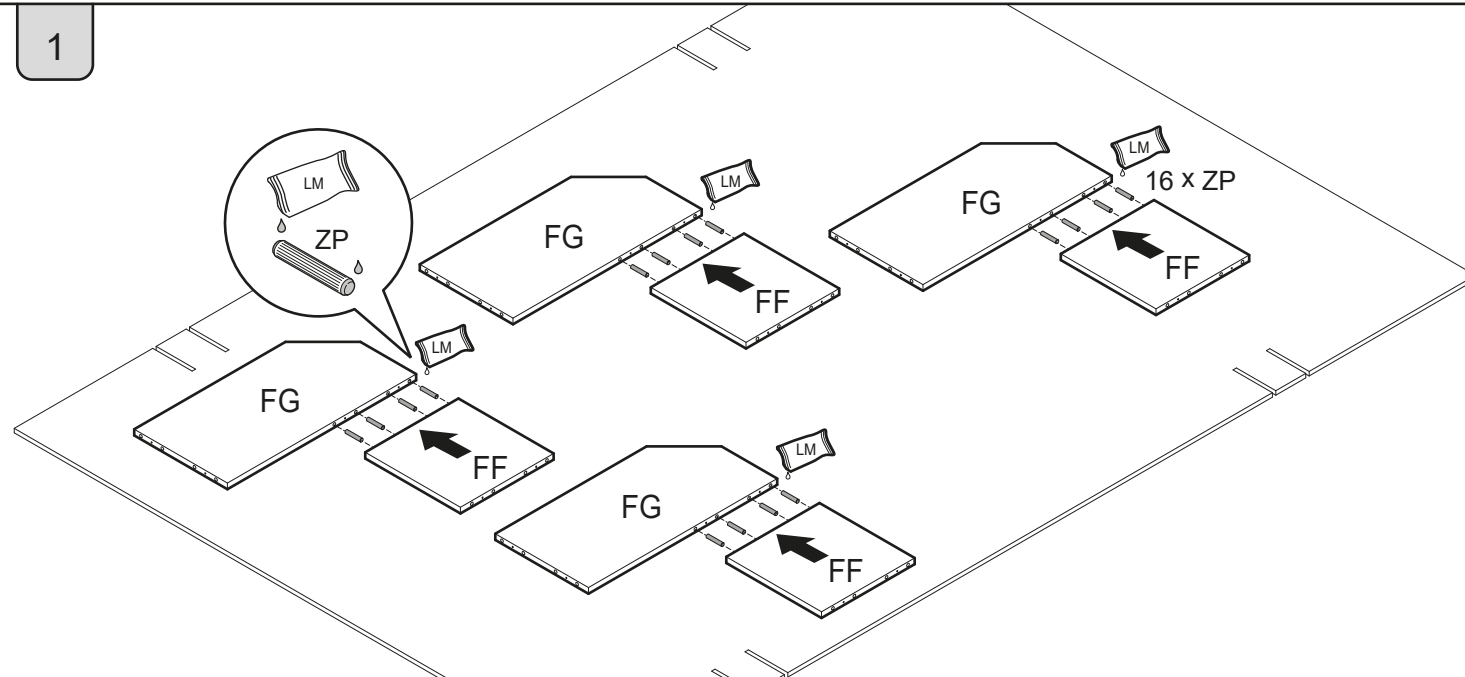


OK6060  
OHK6060

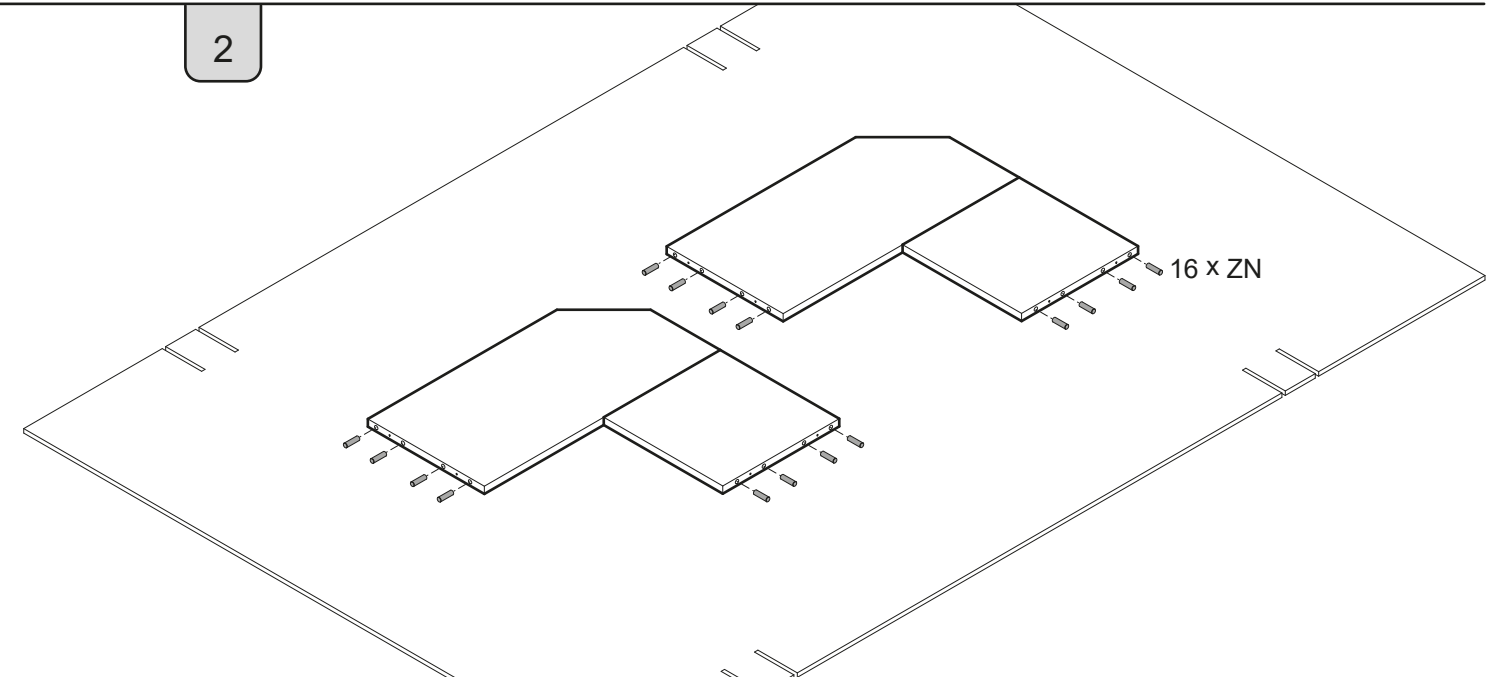
SV031



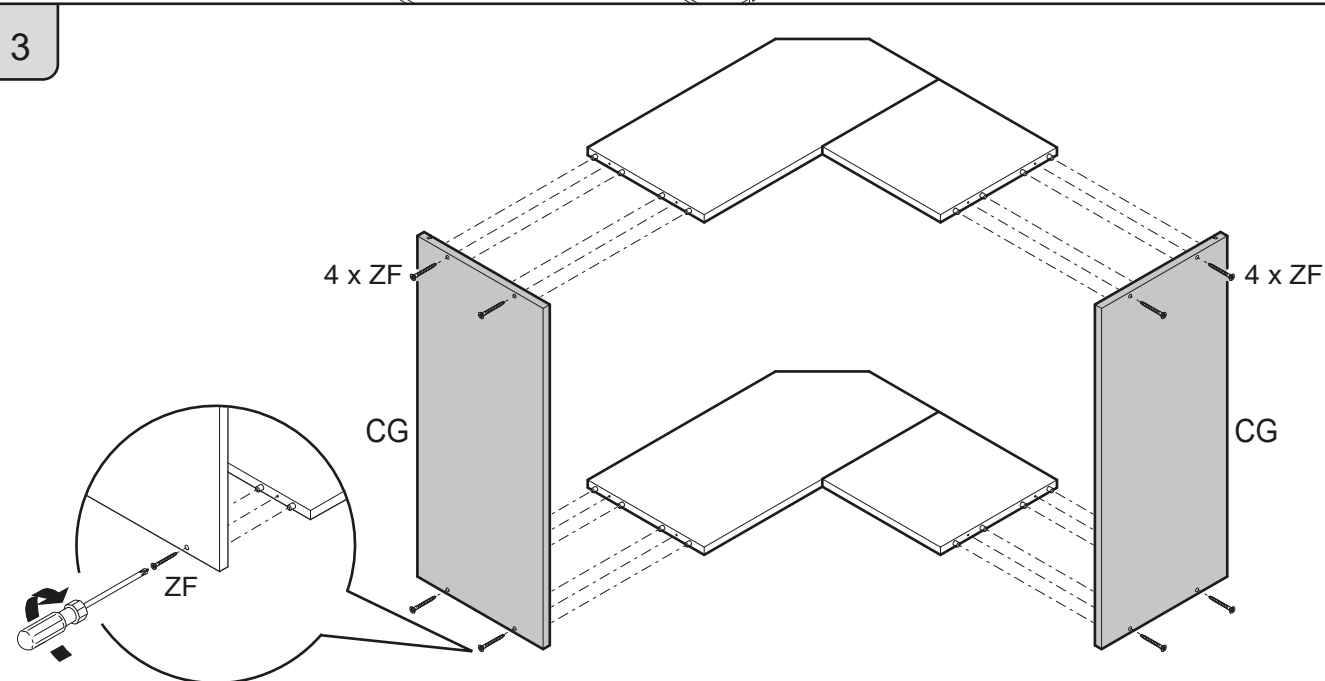
1



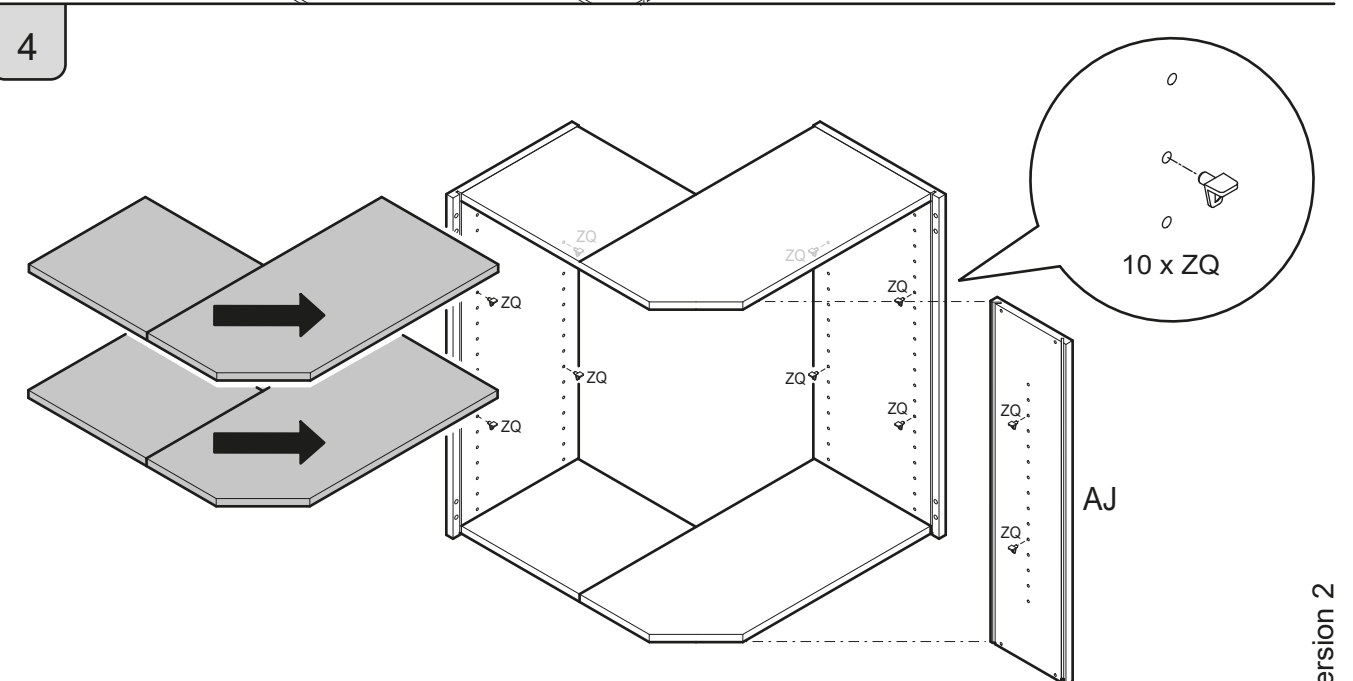
2



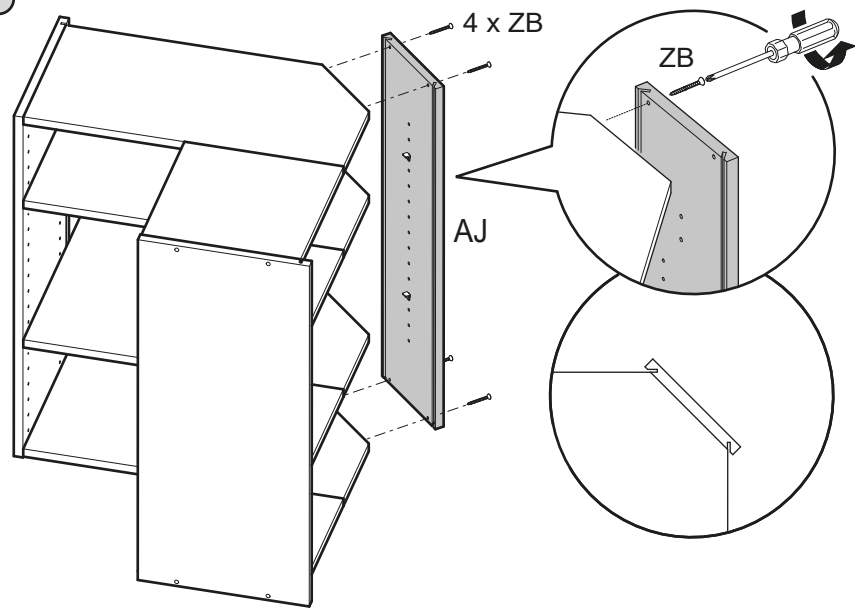
3



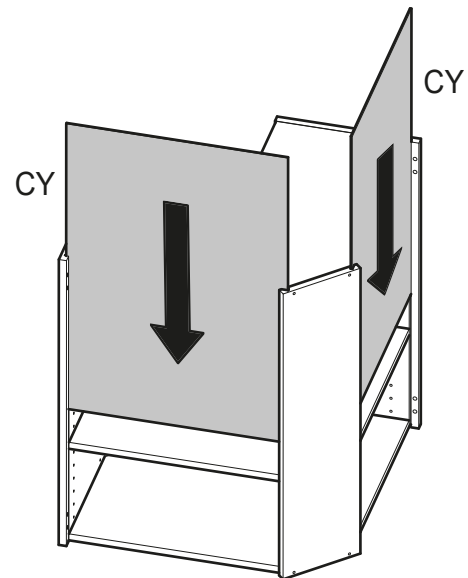
4



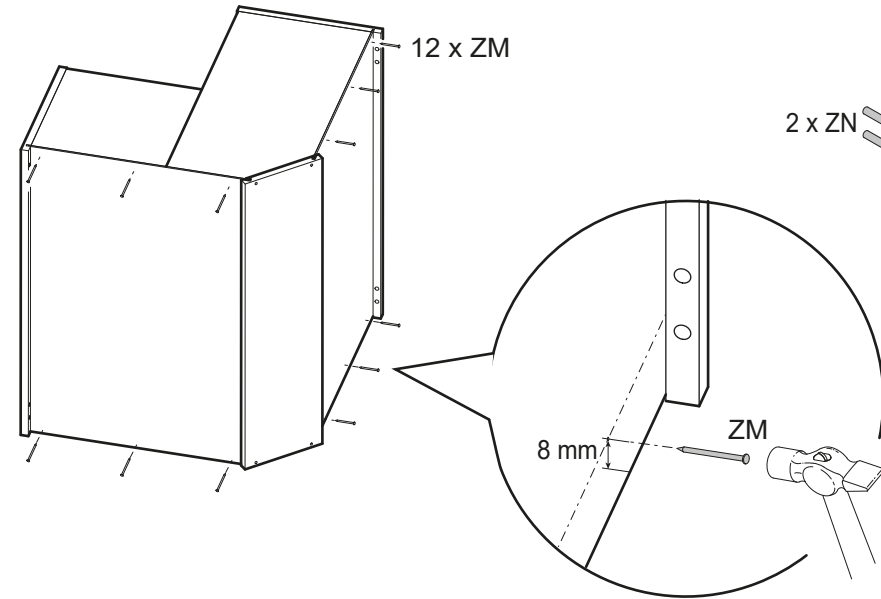
5



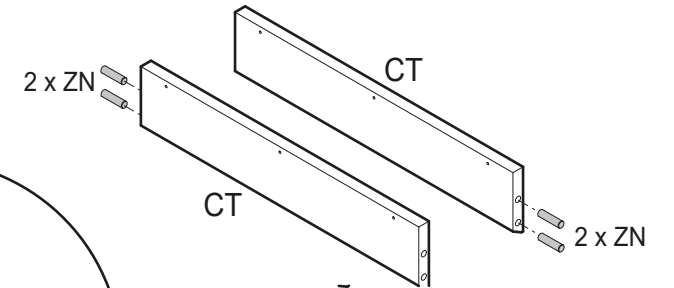
6



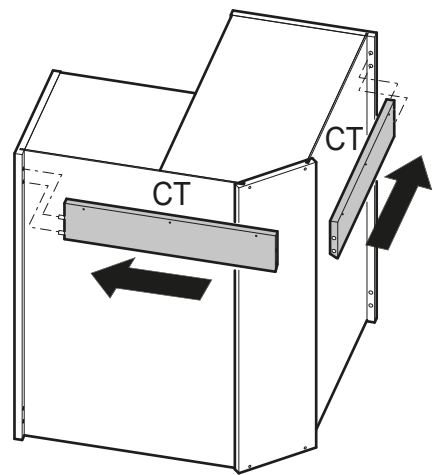
7



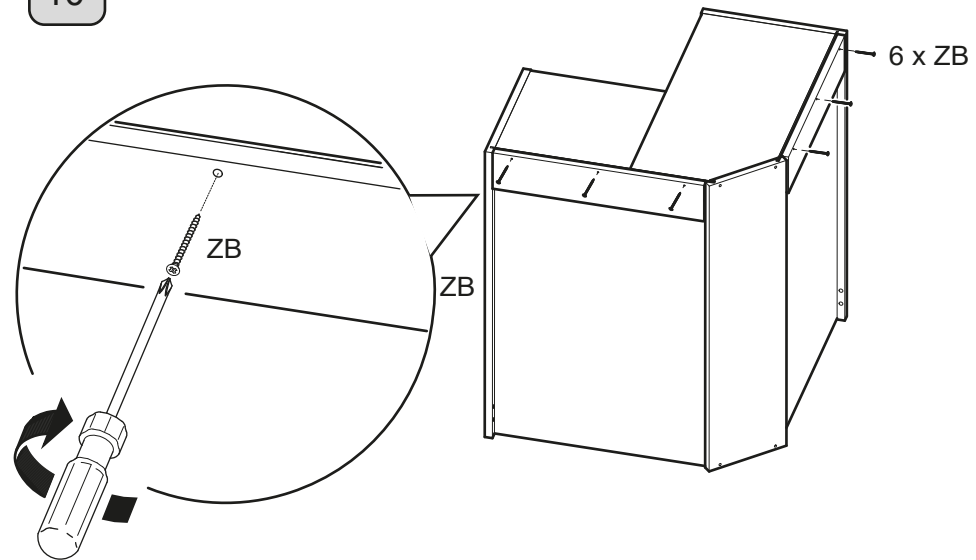
8




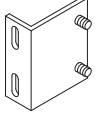
9



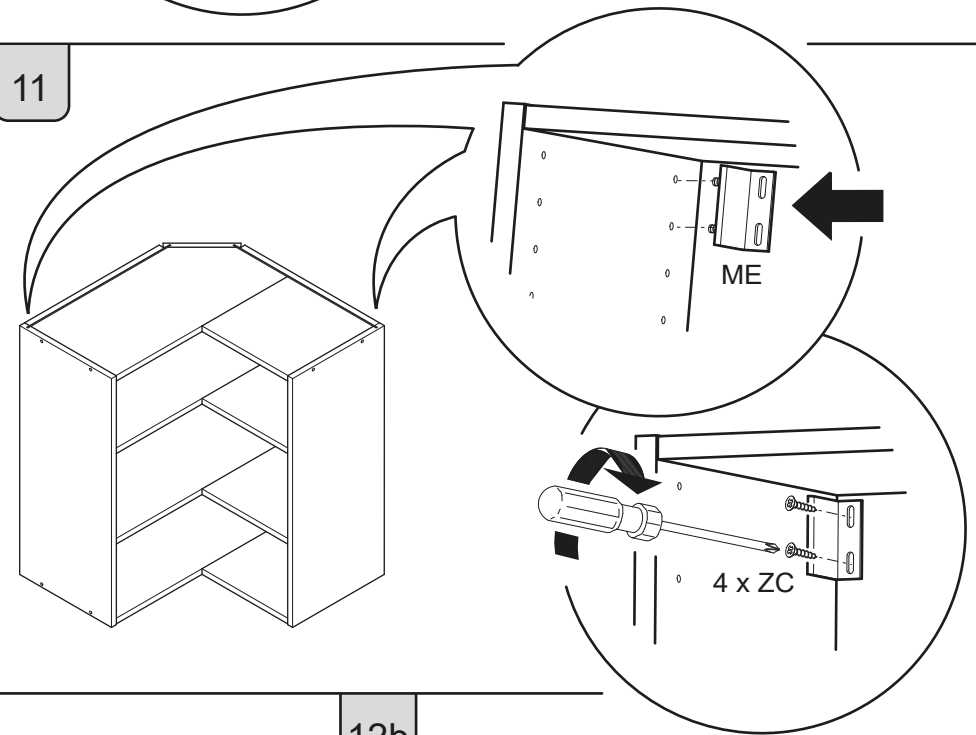
10



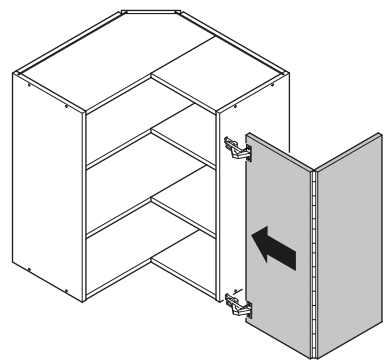
**OHK6060**

-  4 x ZC  
3,5 x 15
-  2 x ME


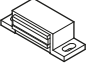


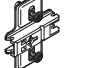
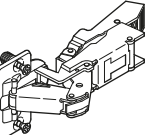
11



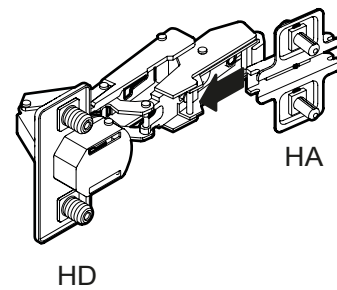
**OK61-  
OHK61-**



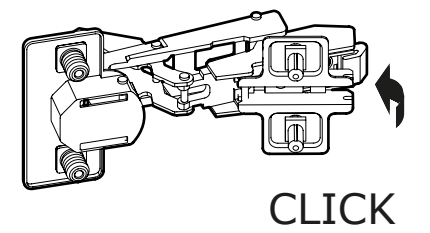
**1 x FY**

-  2 x ZG  
3,5 x 15
-  1 x MA
-  1 x MB
-  4 x ZY
-  2 x HA
-  2 x HD

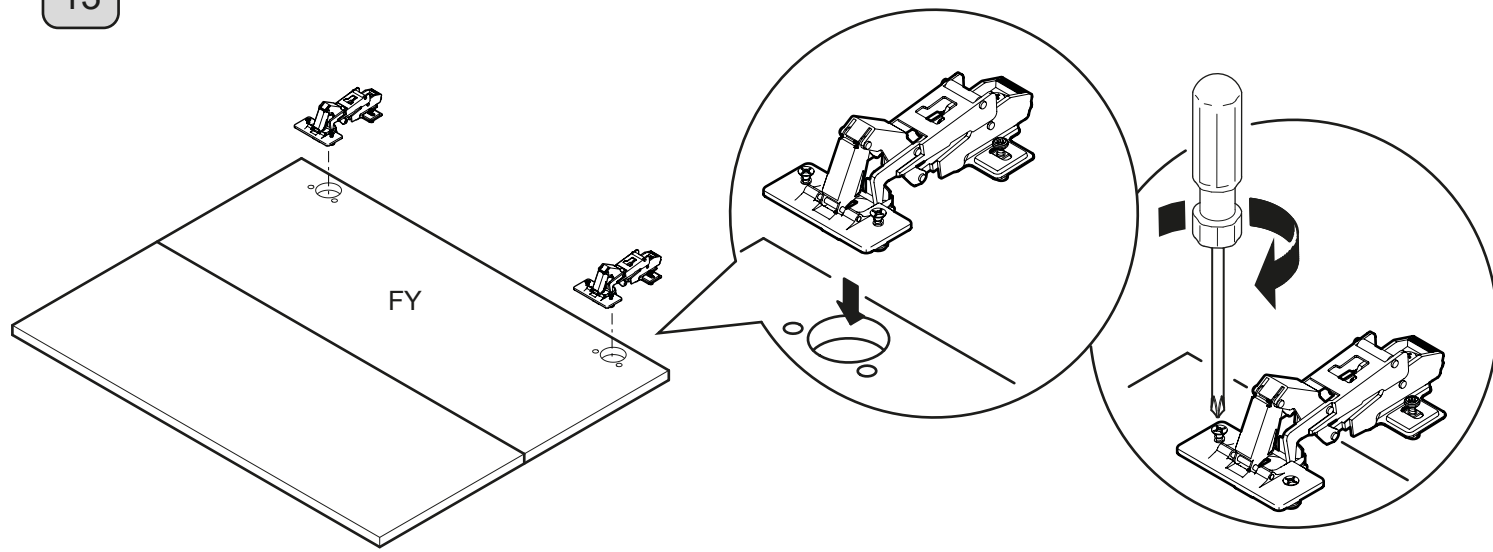
12a



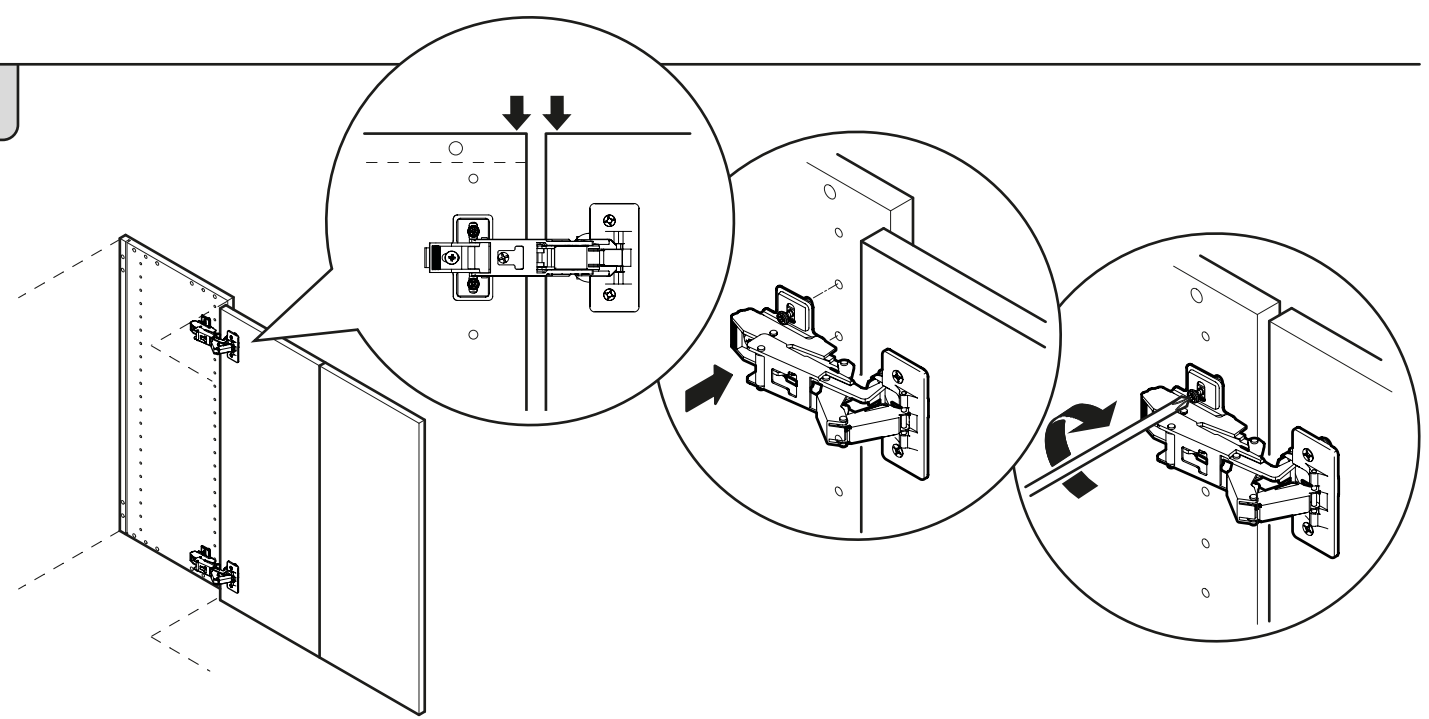
12b



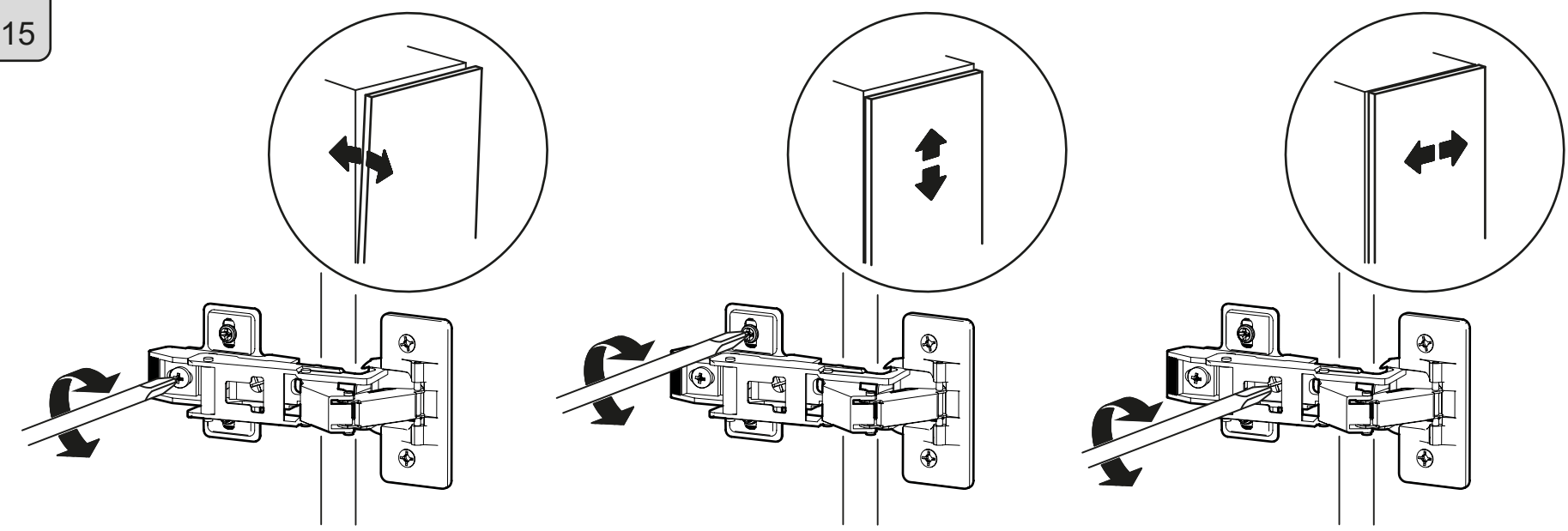
13



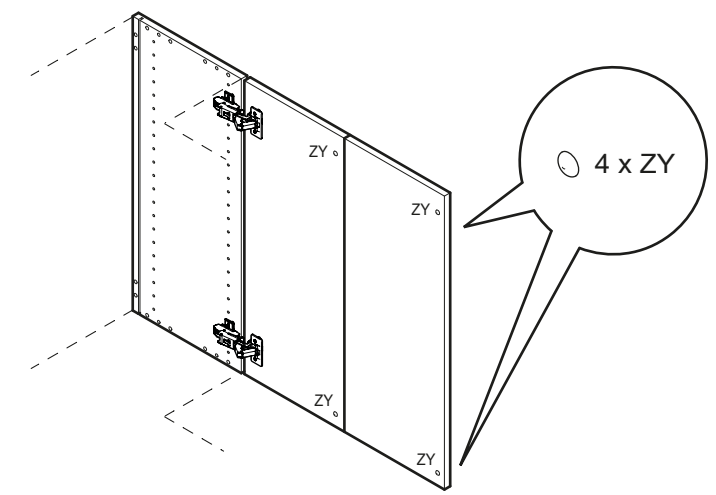
14



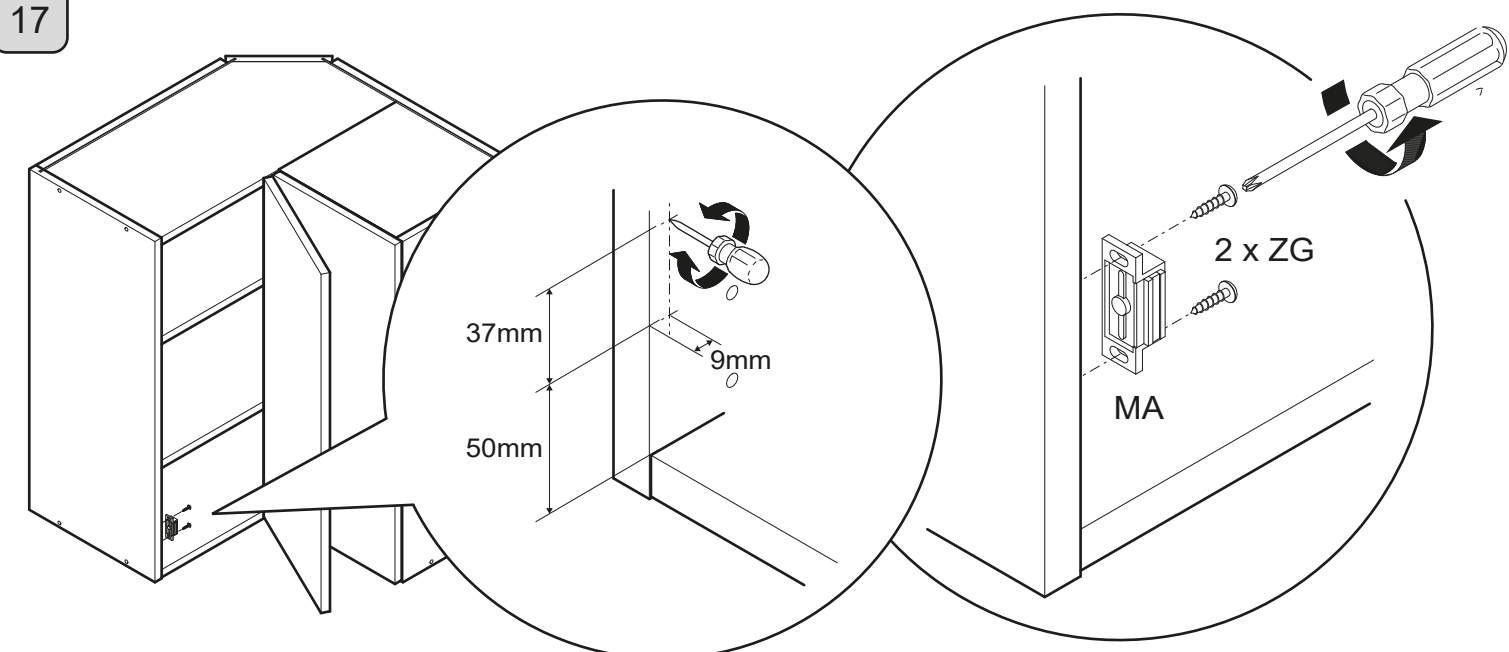
15



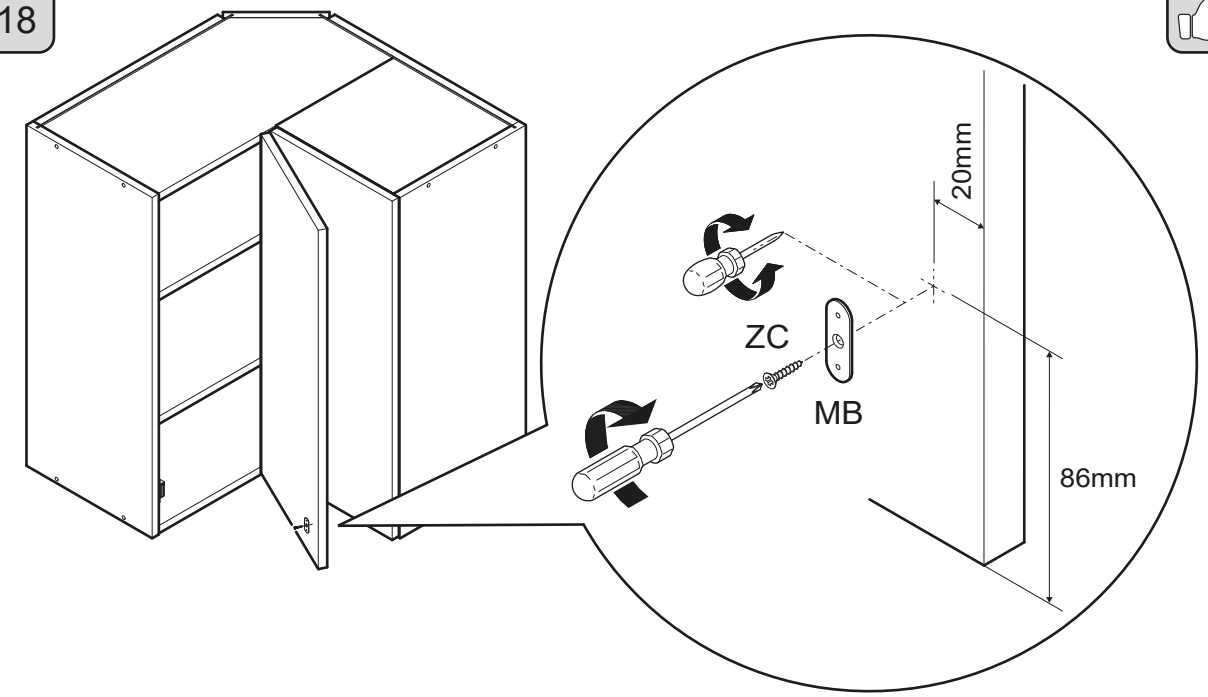
16



17

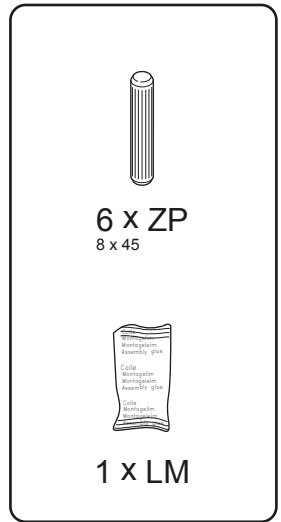
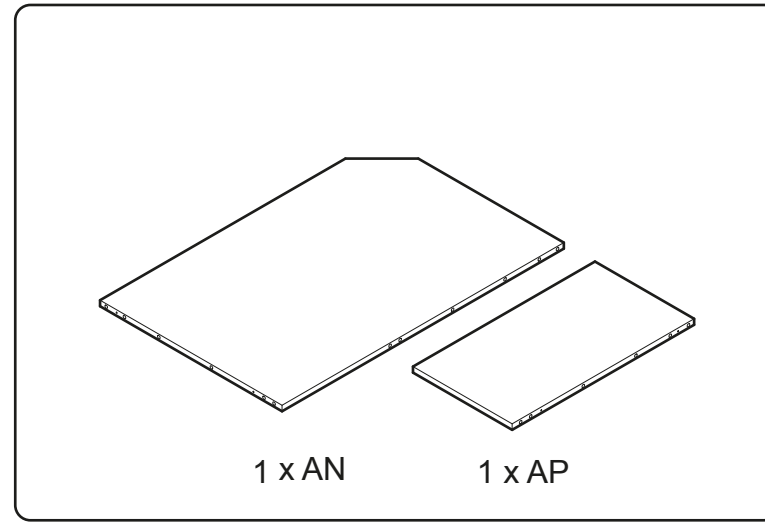
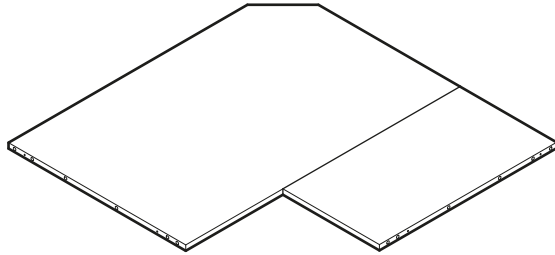


18



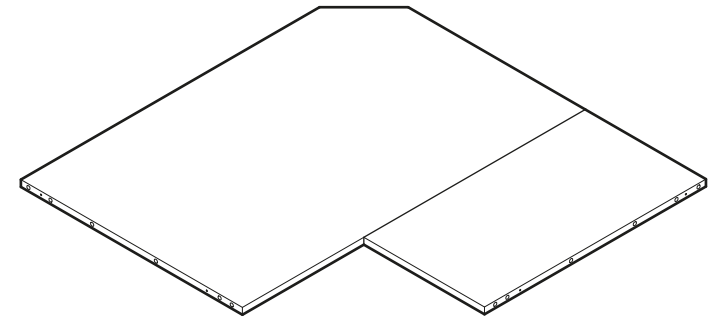
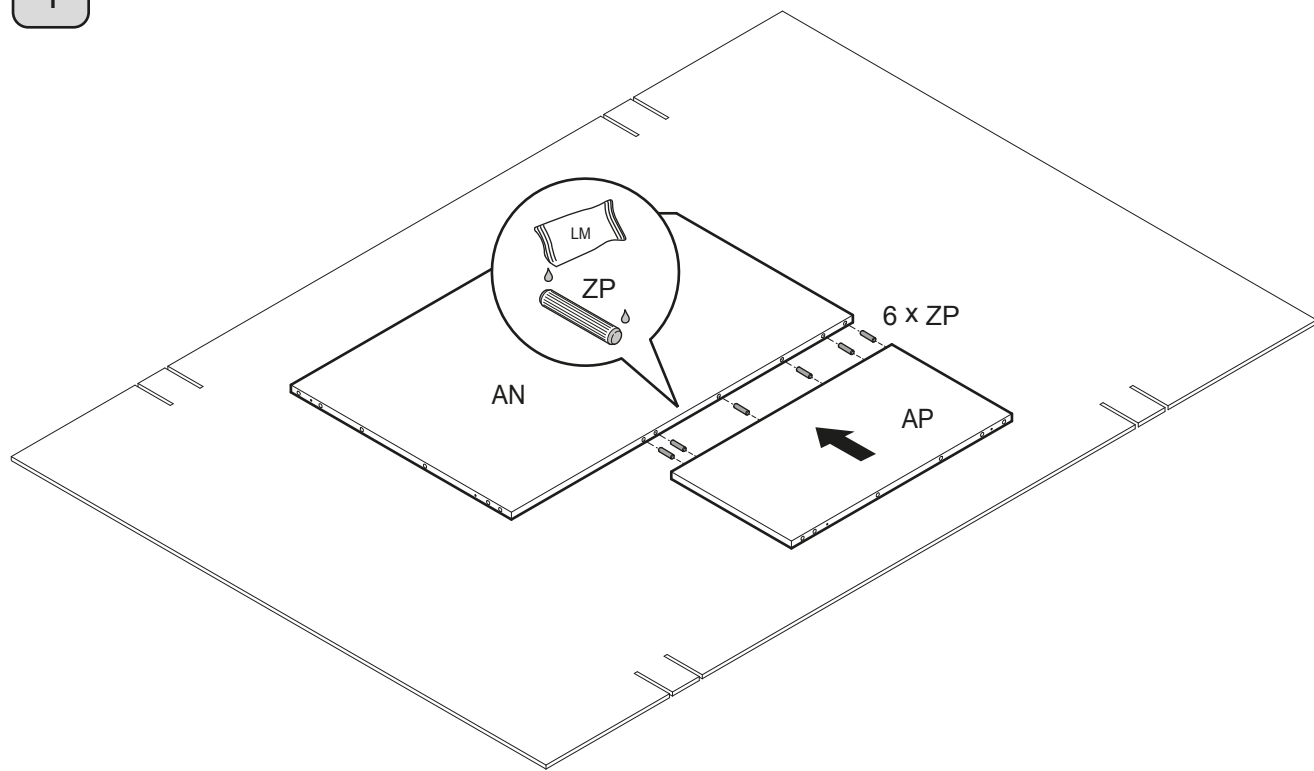
UH9090

SV032



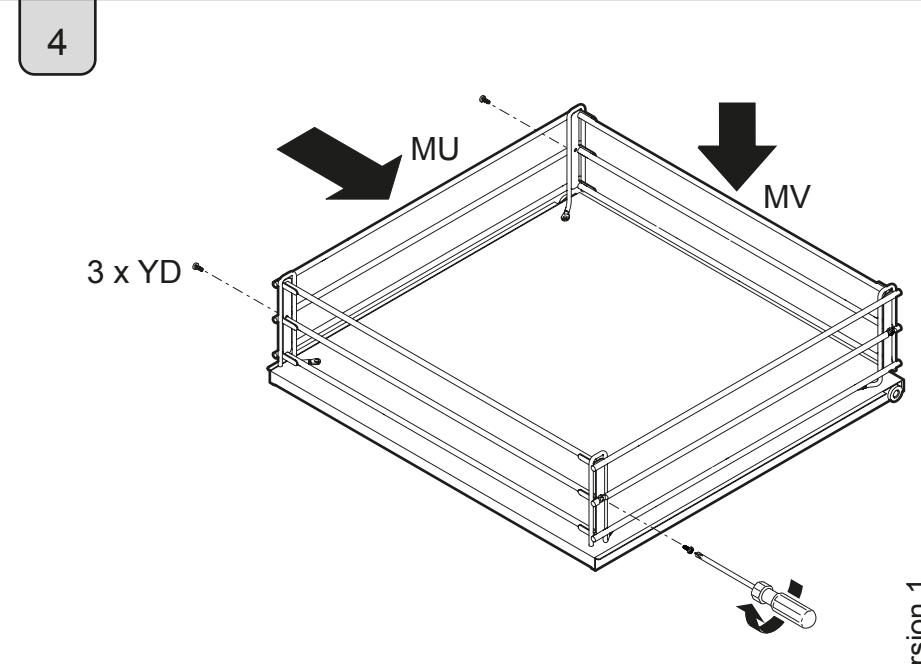
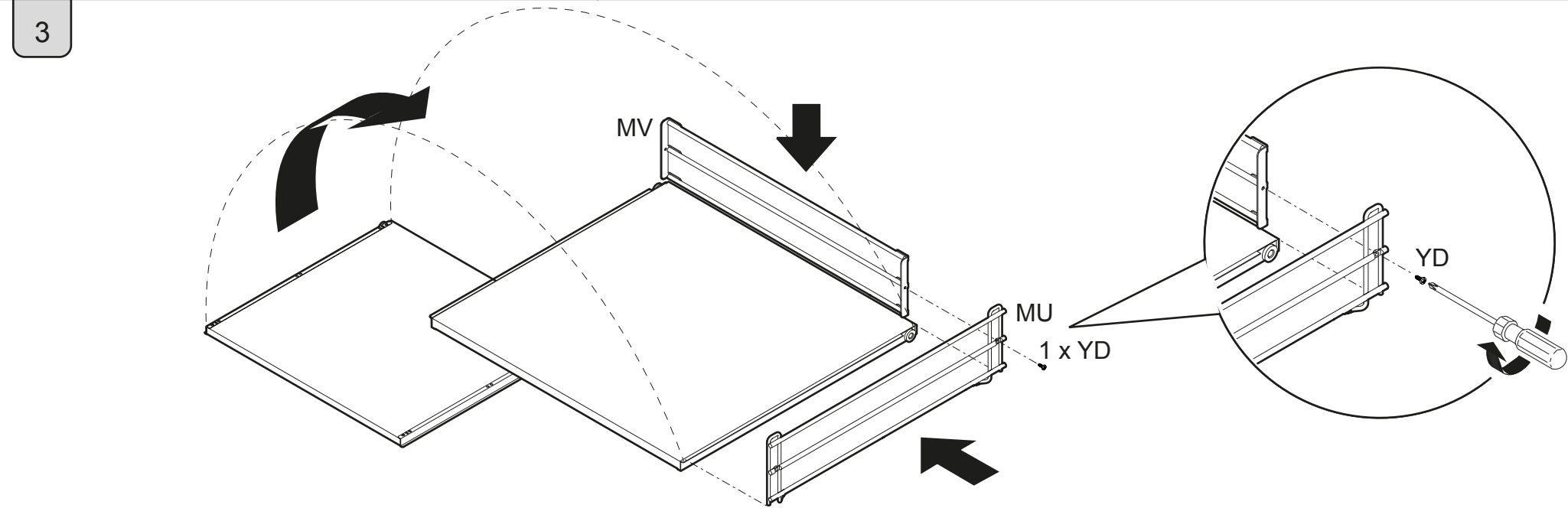
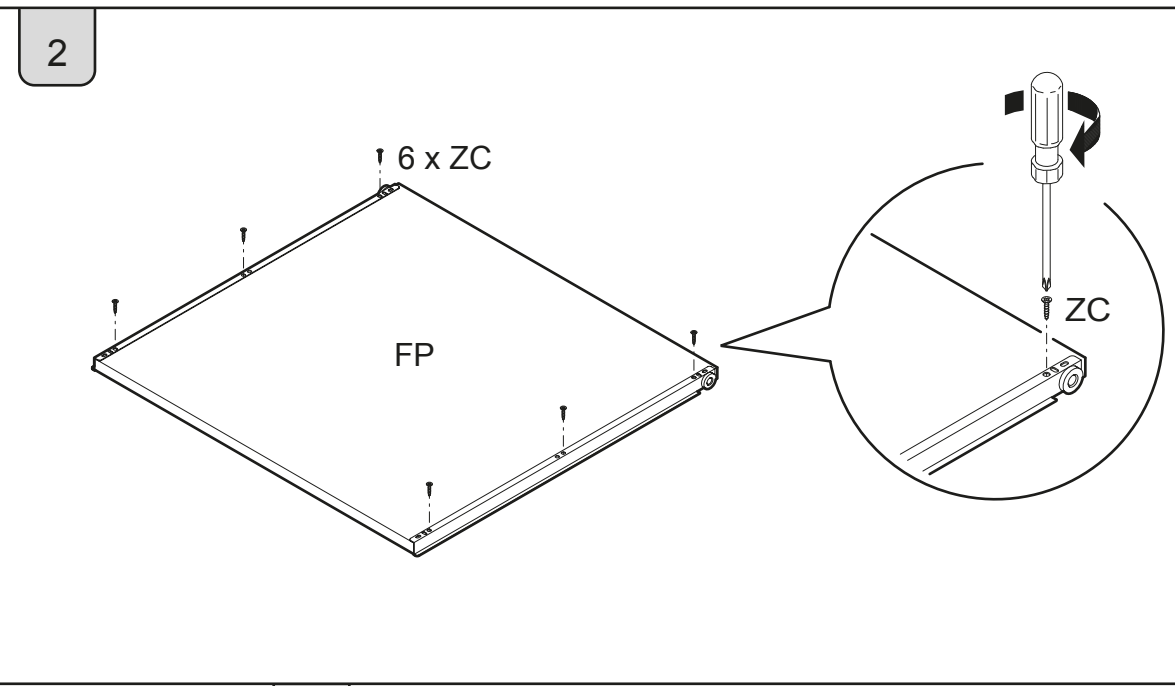
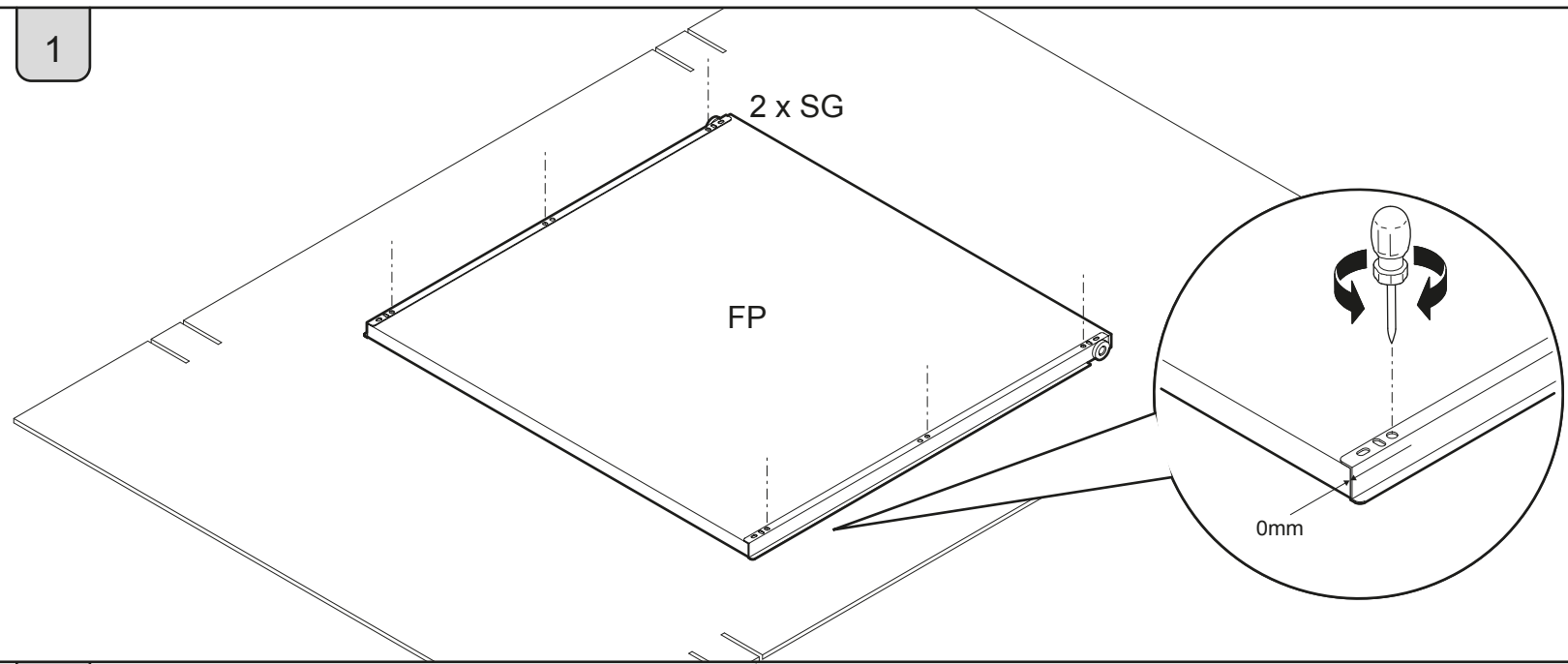
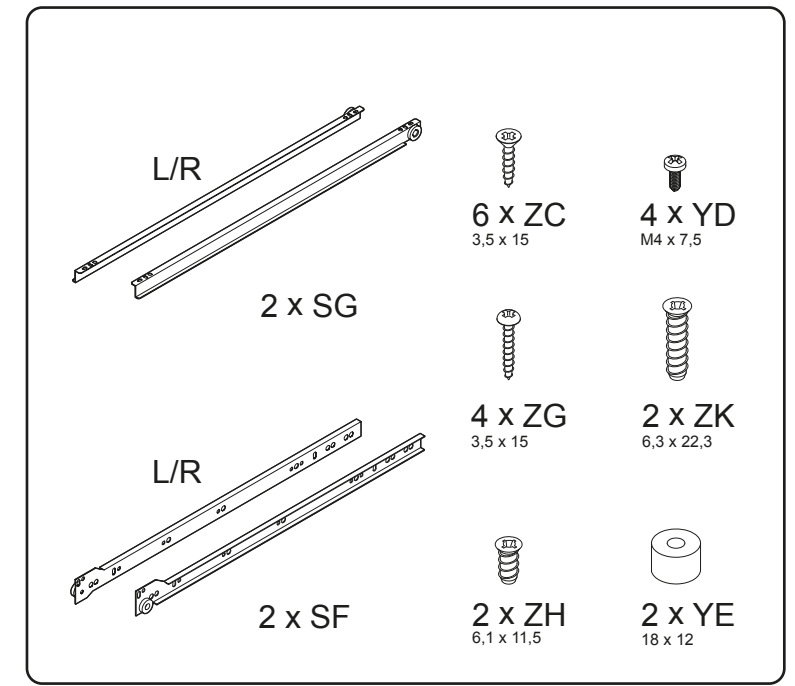
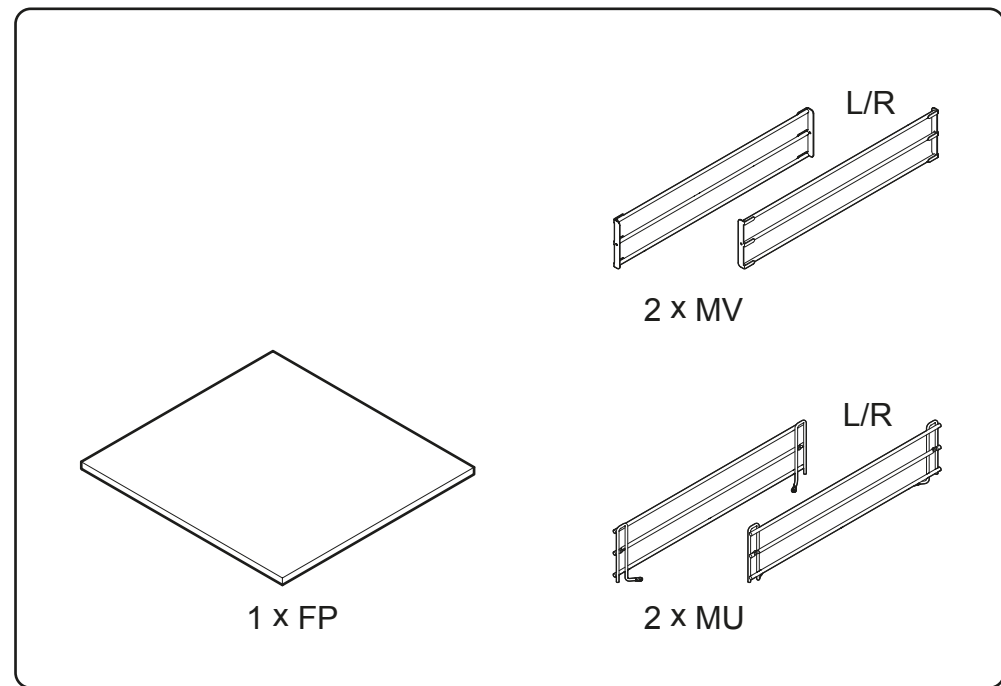
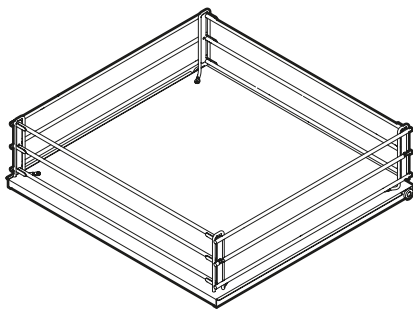
1

2

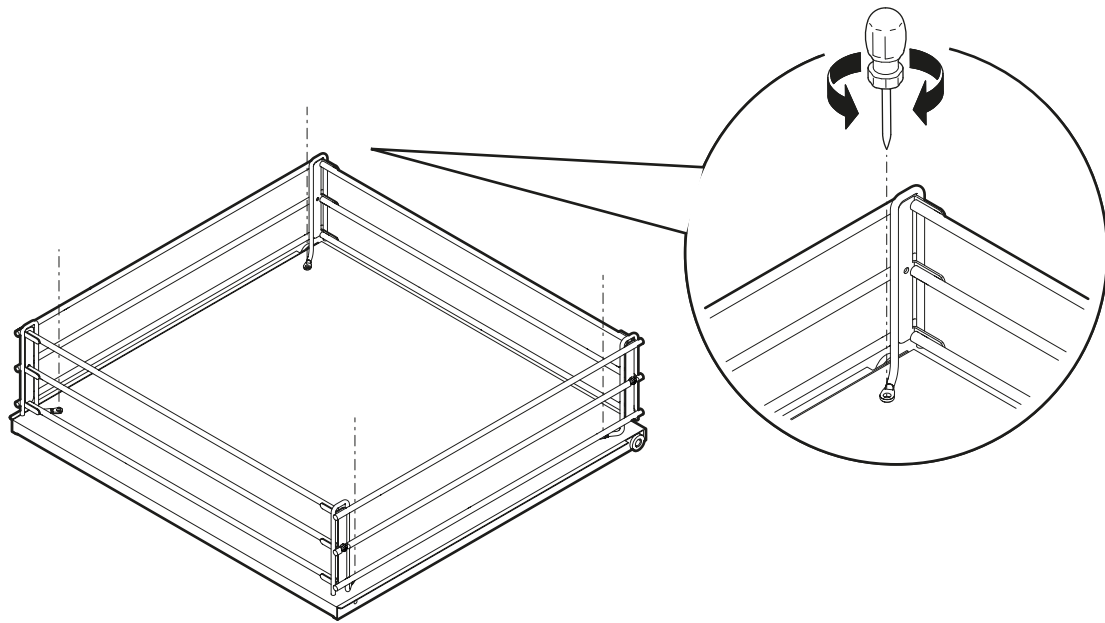


IK40  
IK50  
IK60

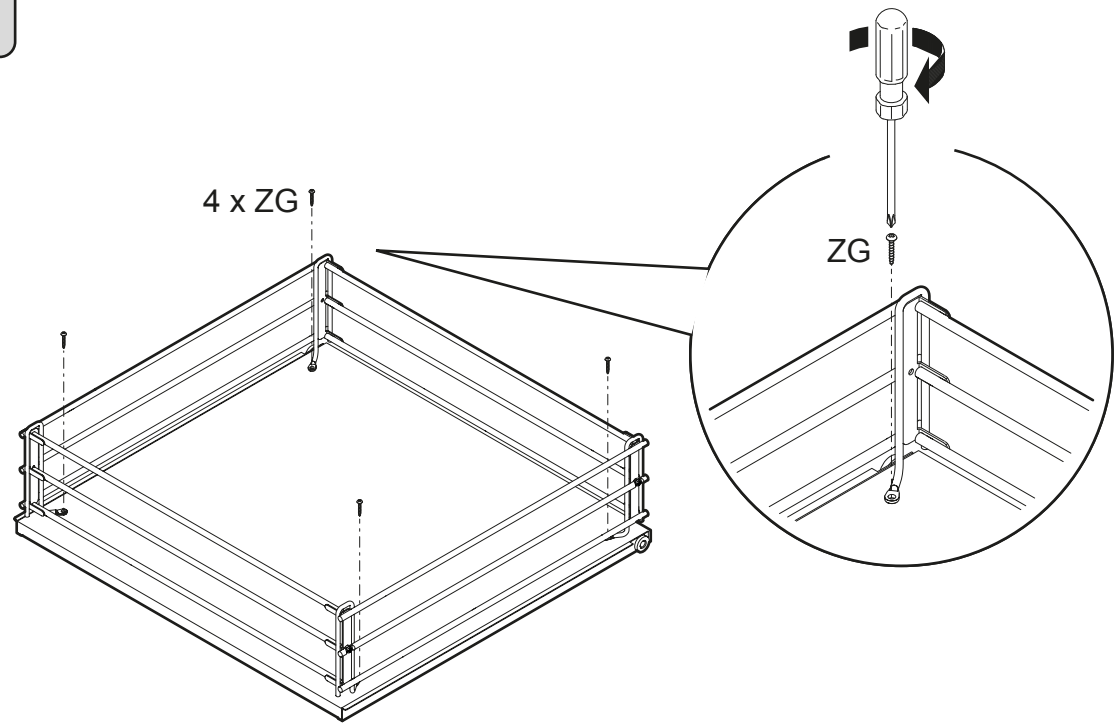
SV033



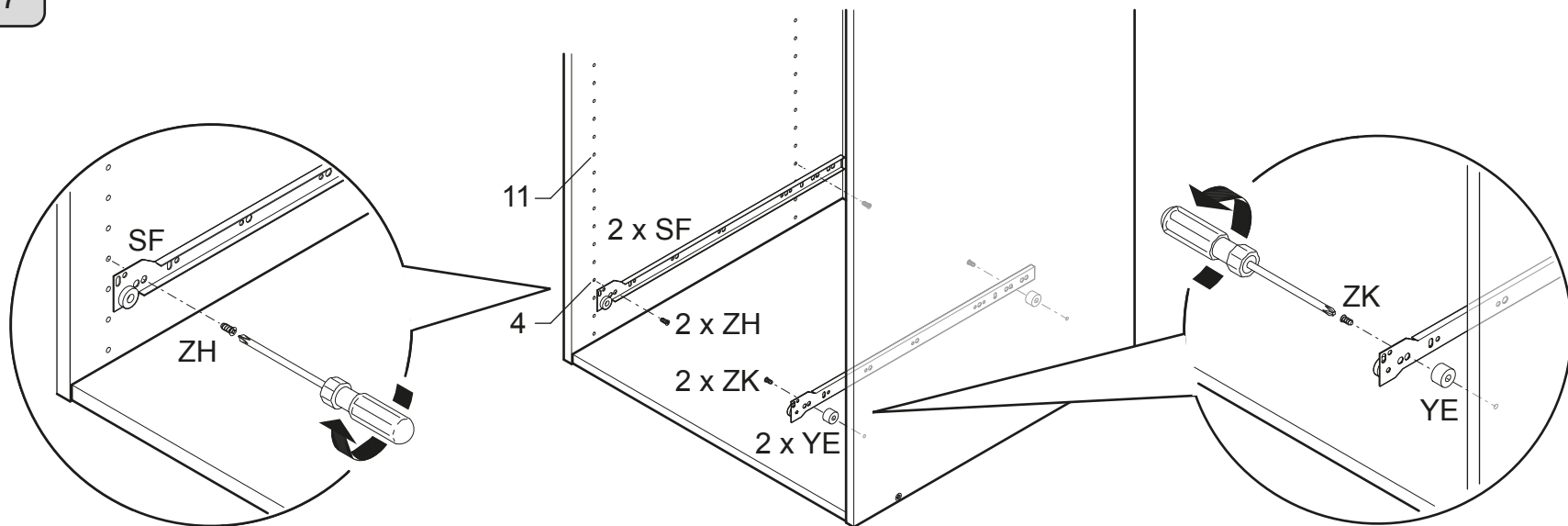
5



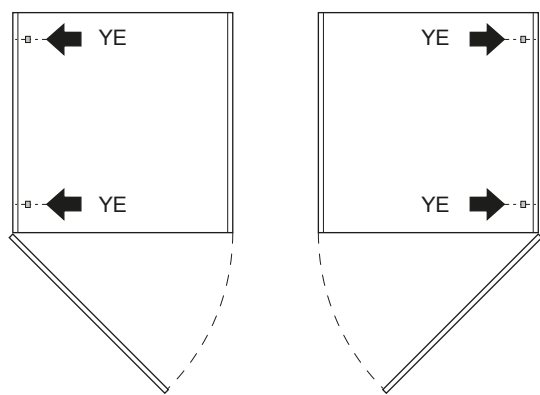
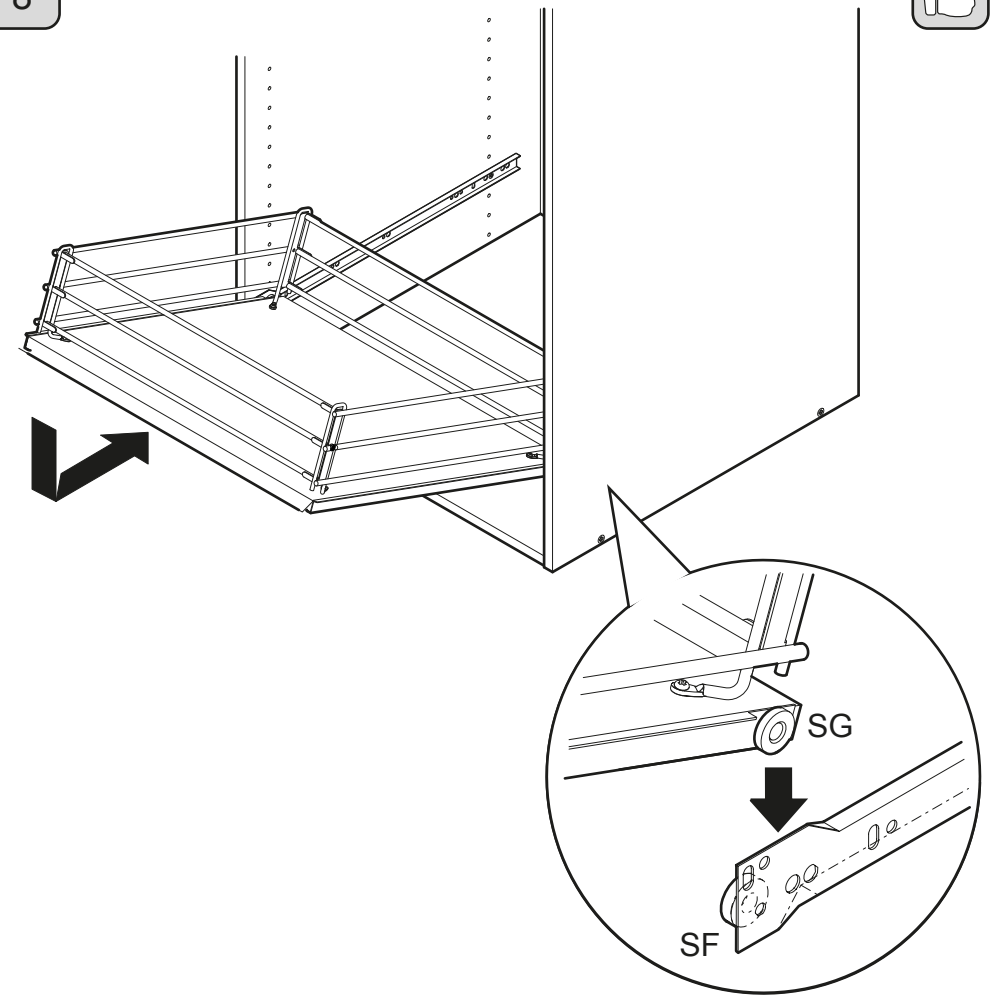
6



7



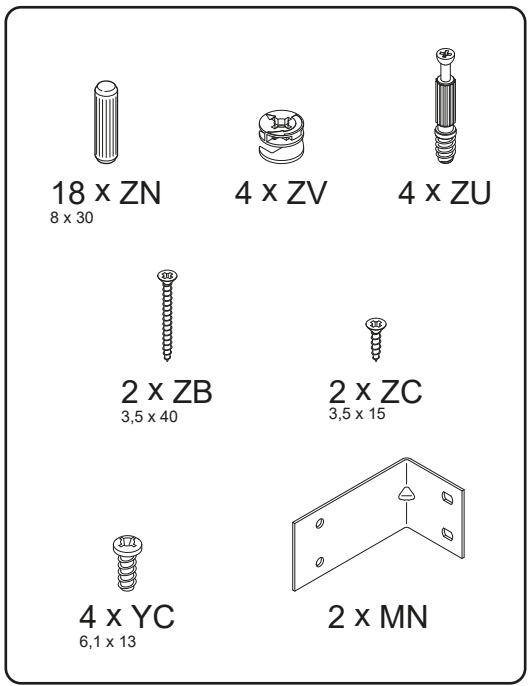
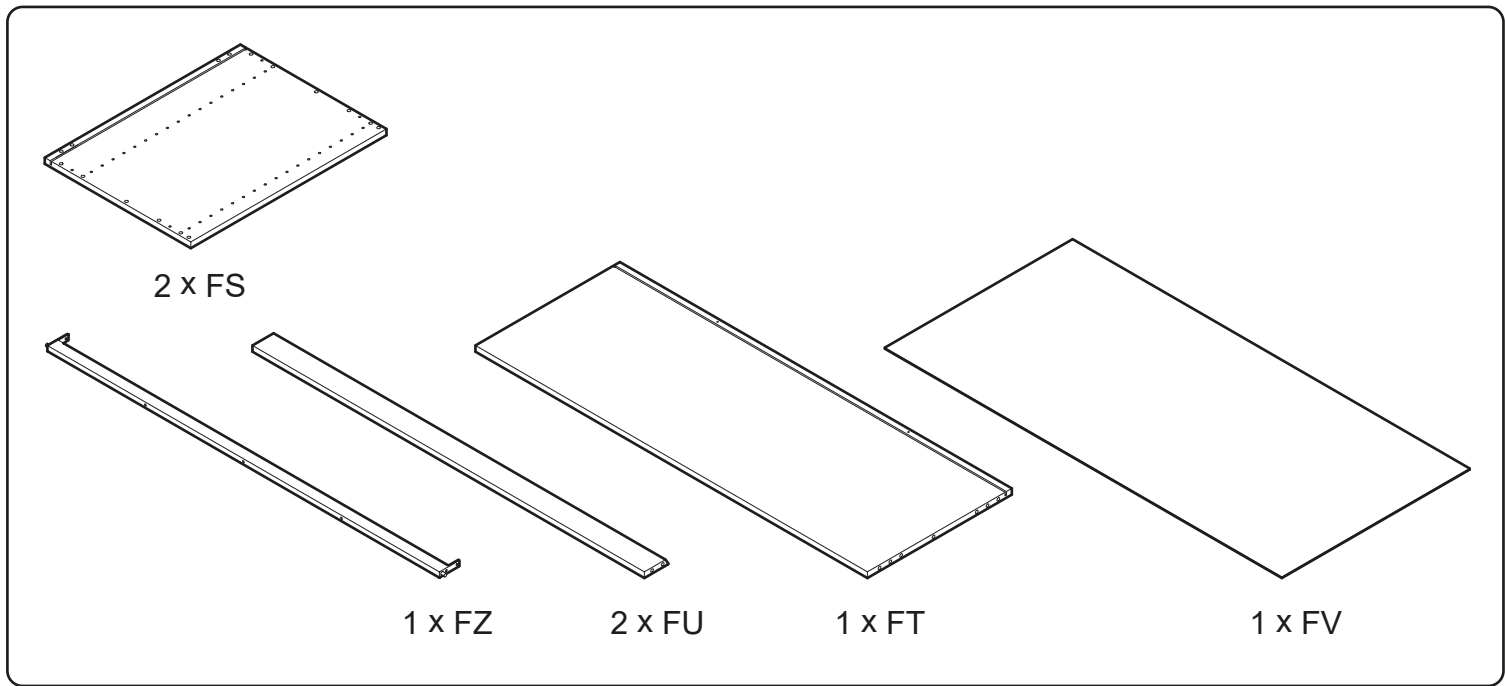
8



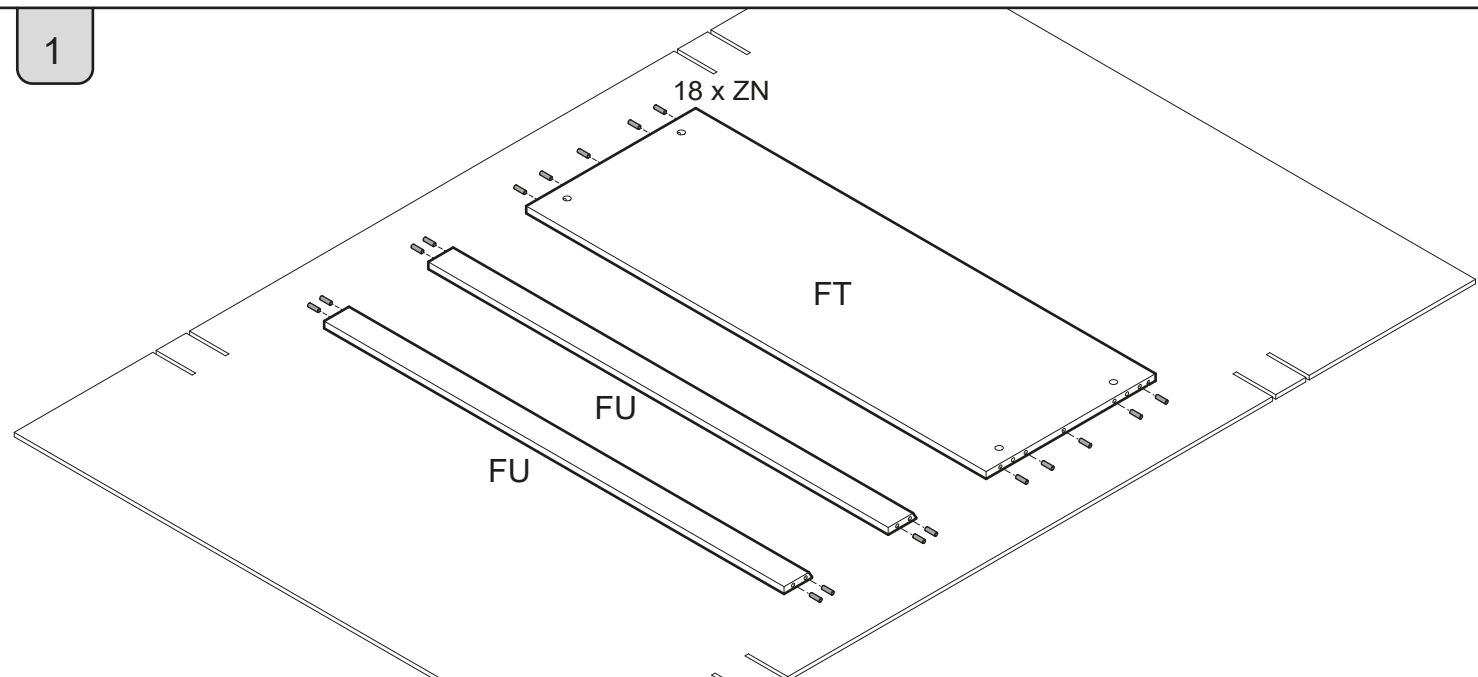


BLU120

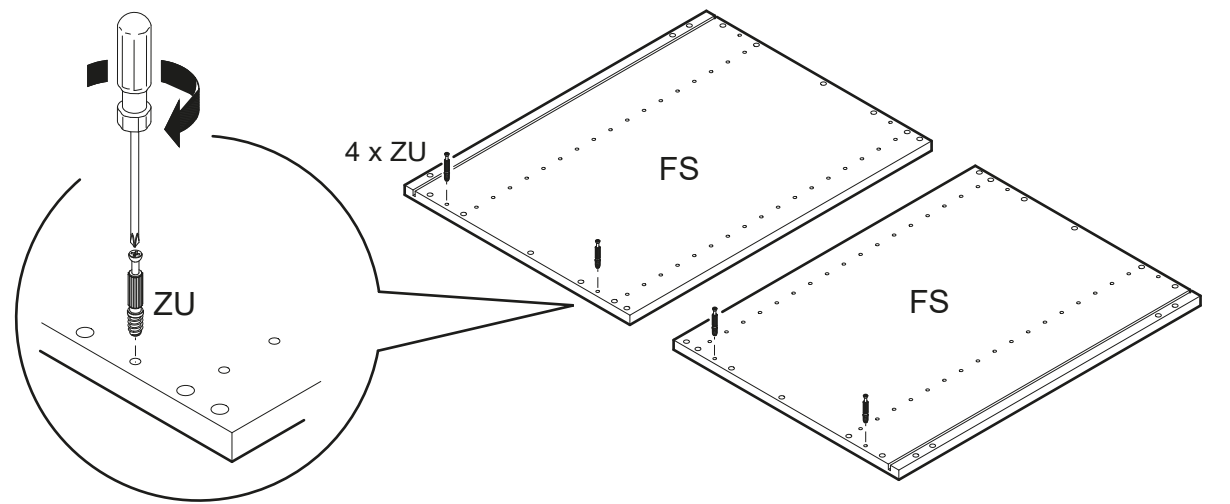
SV034



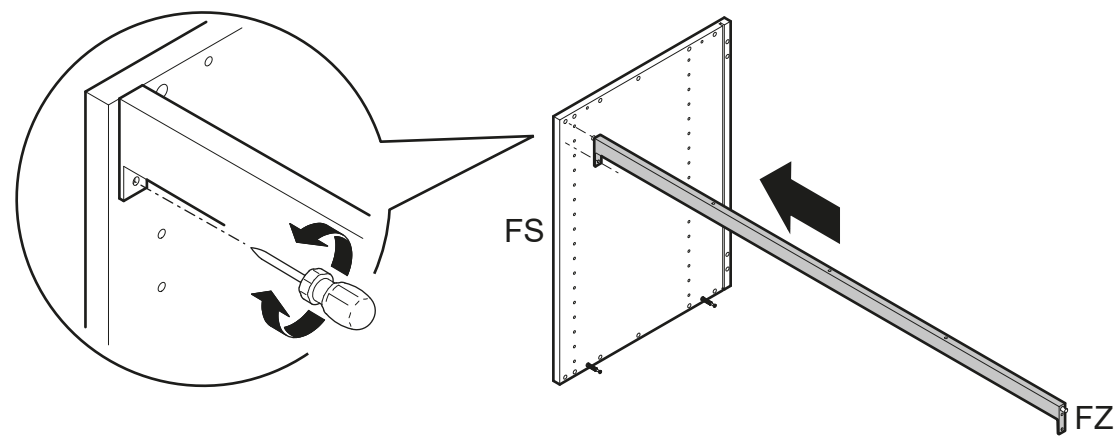
1



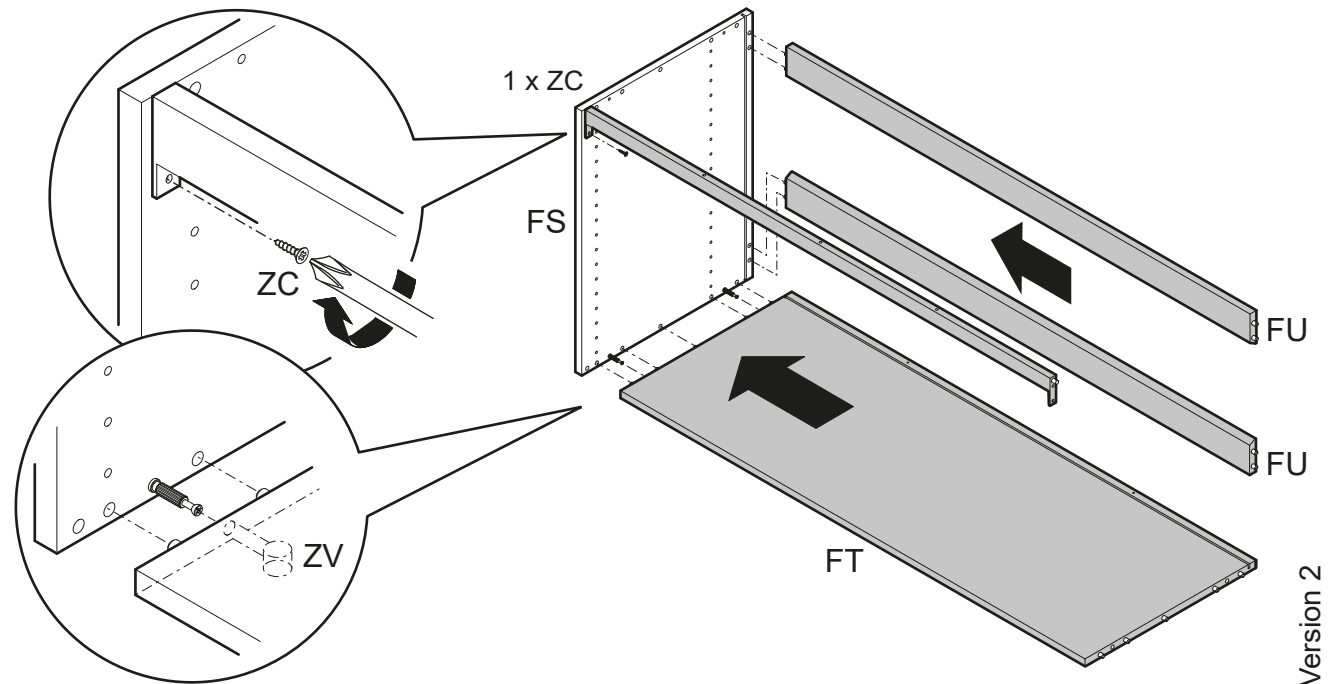
2



3

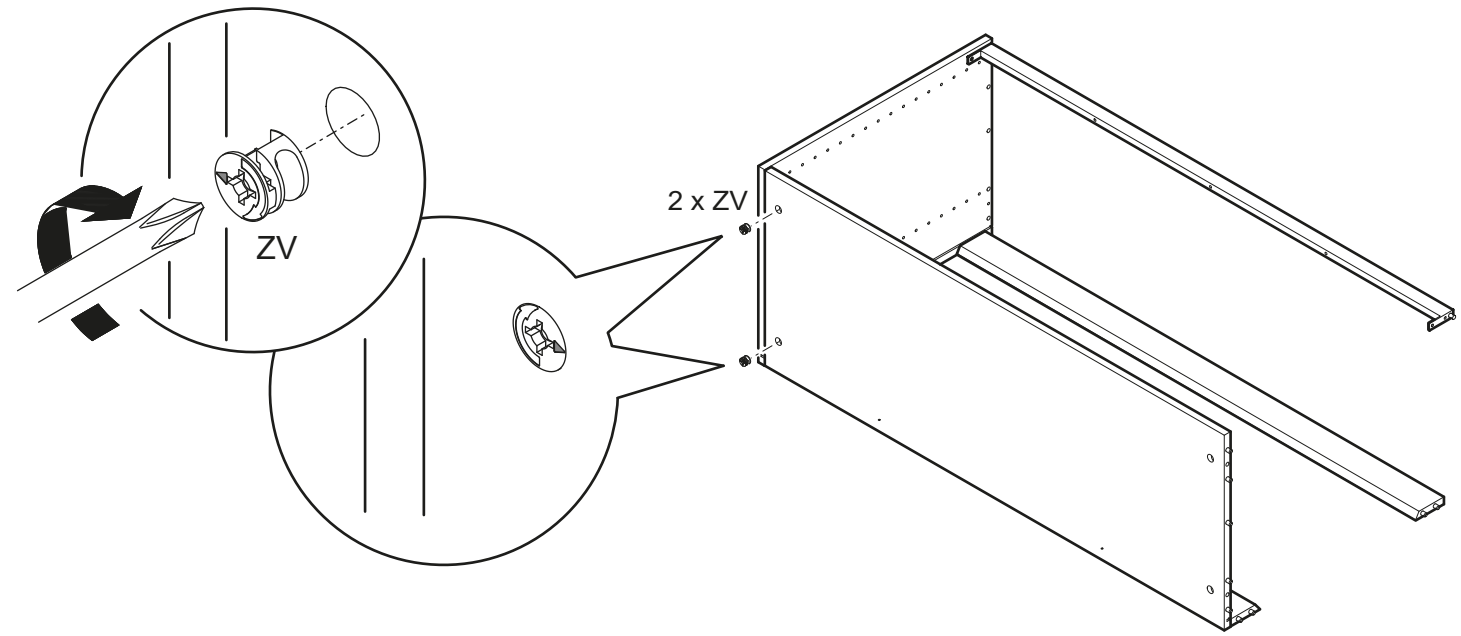


4

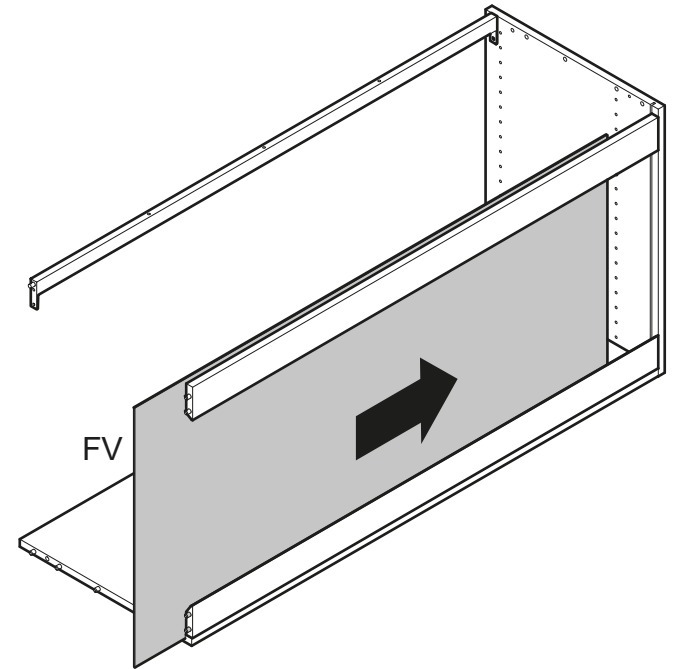




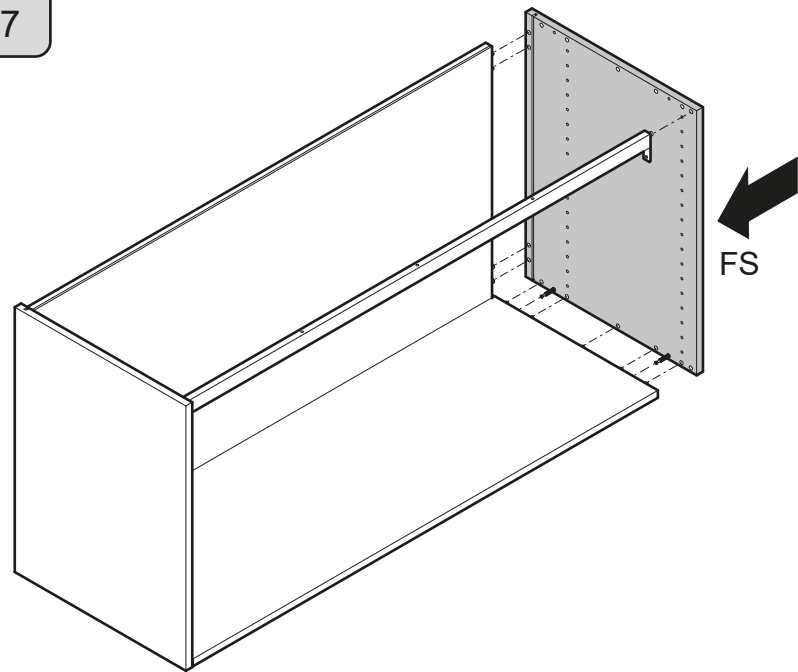
5



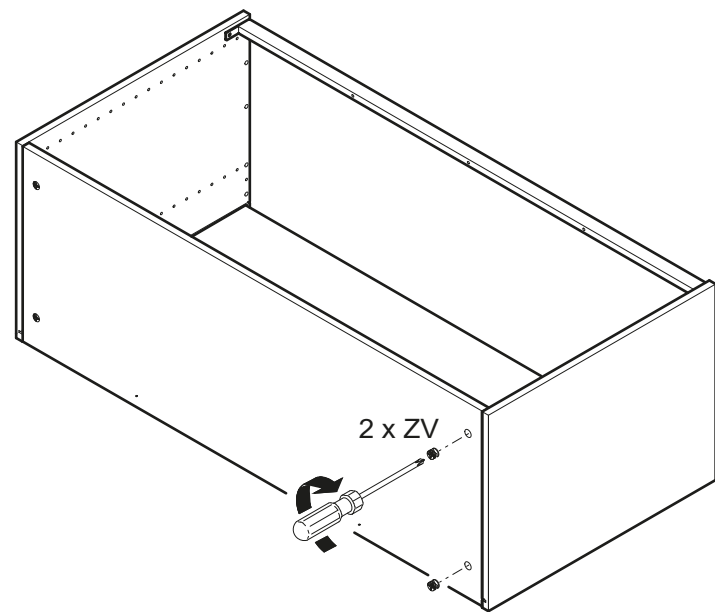
6



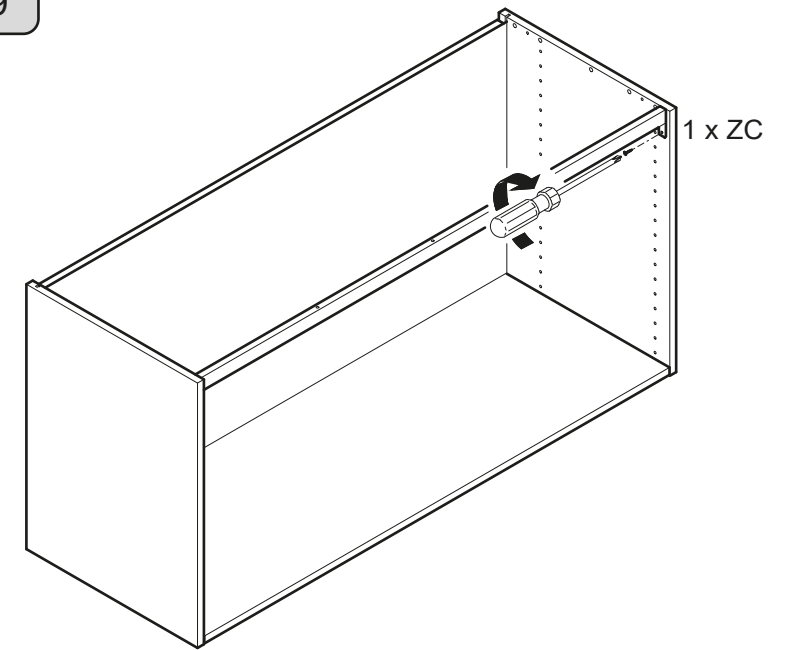
7



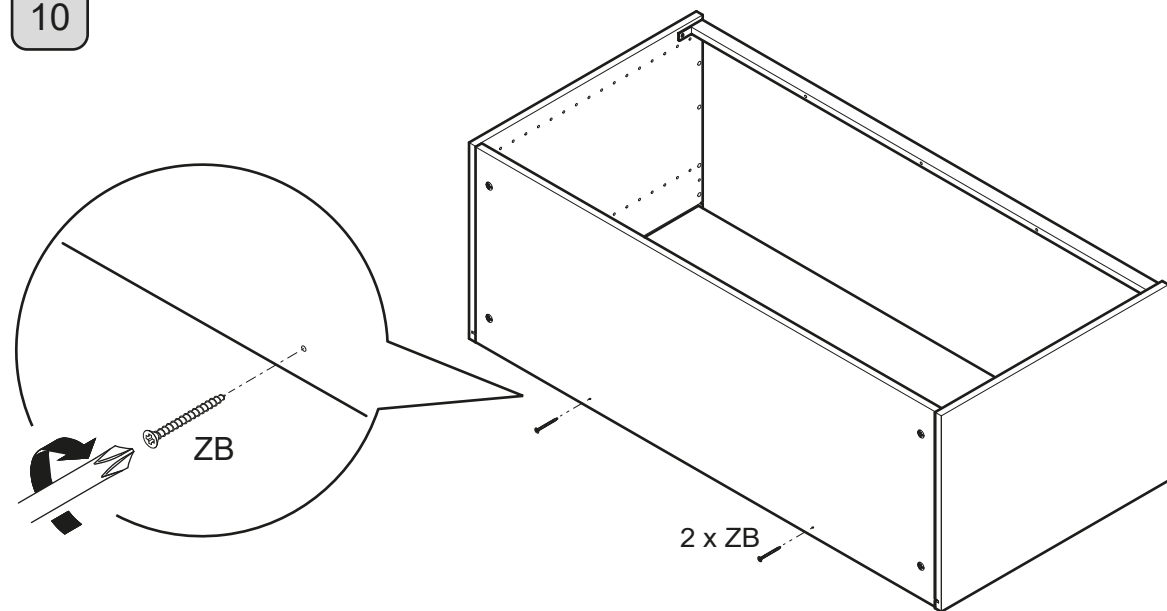
8



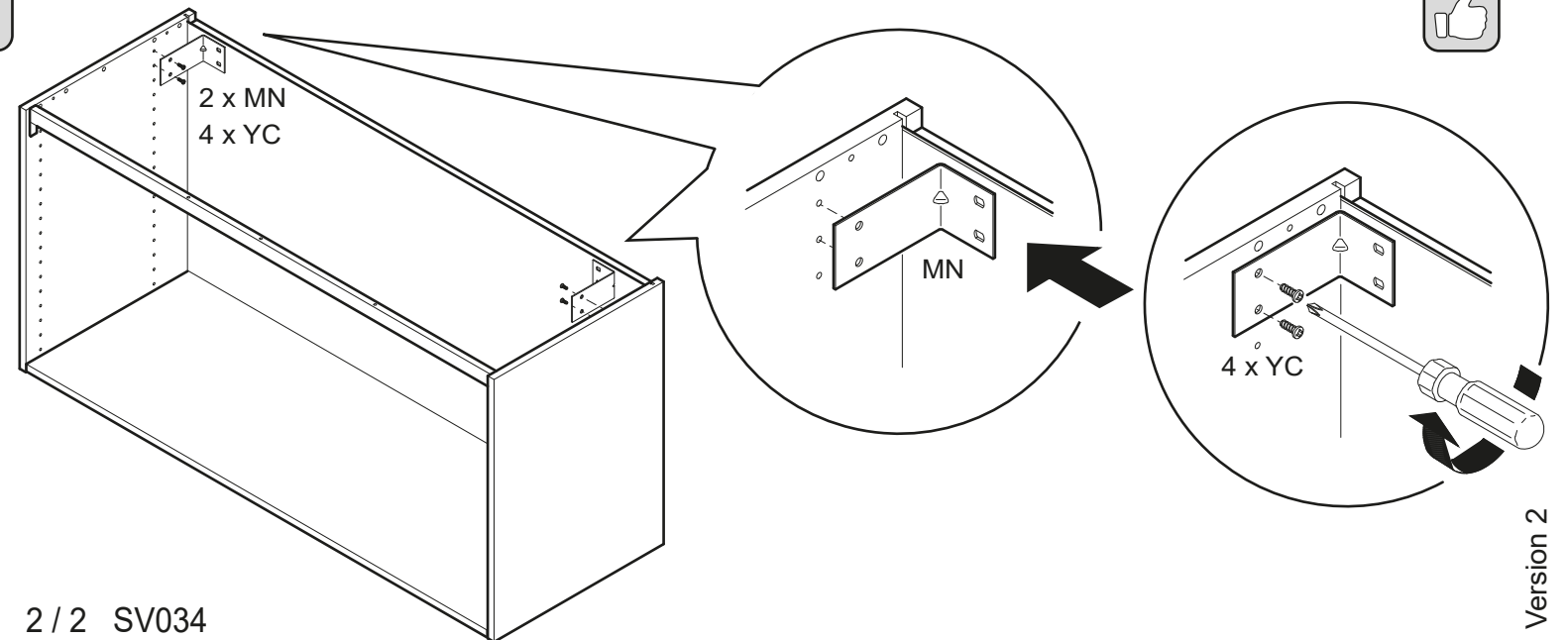
9



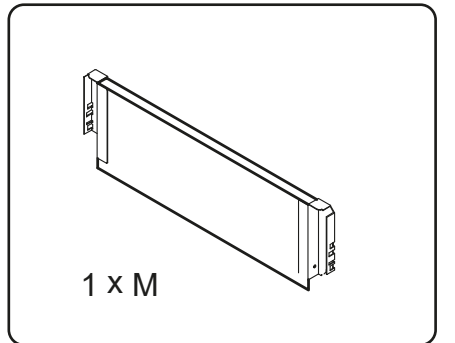
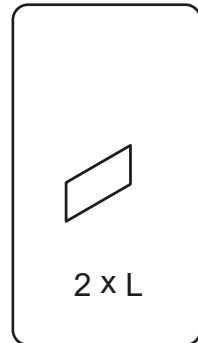
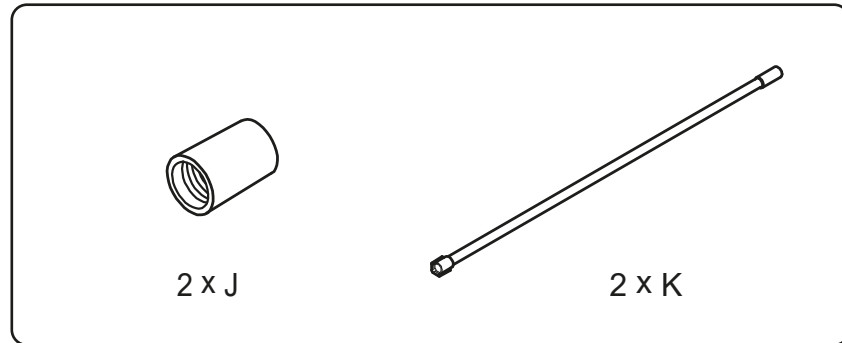
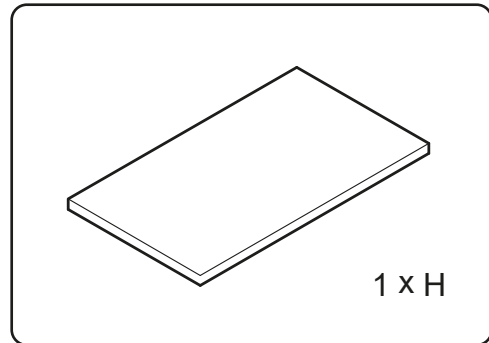
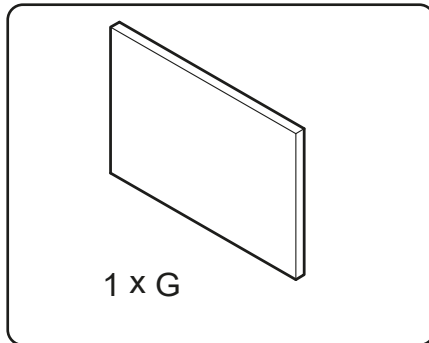
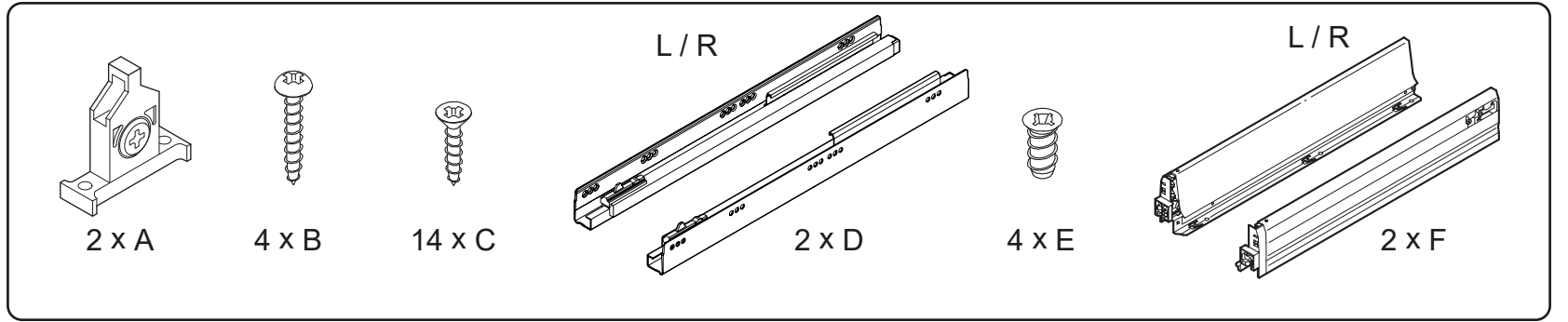
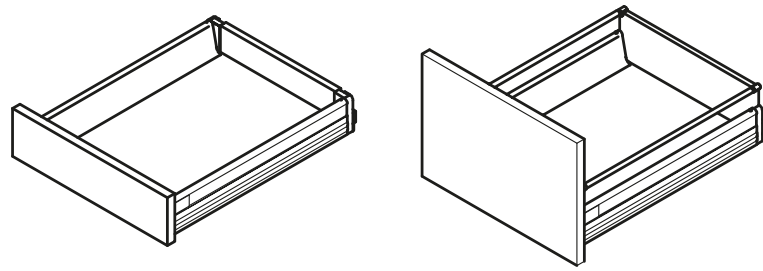
10



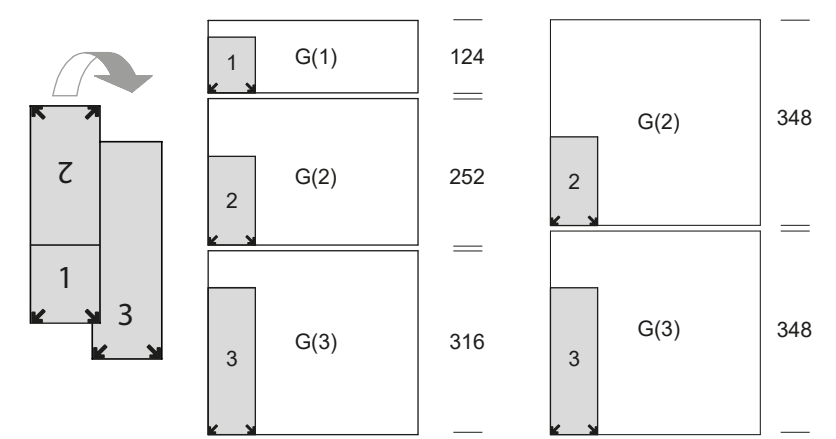
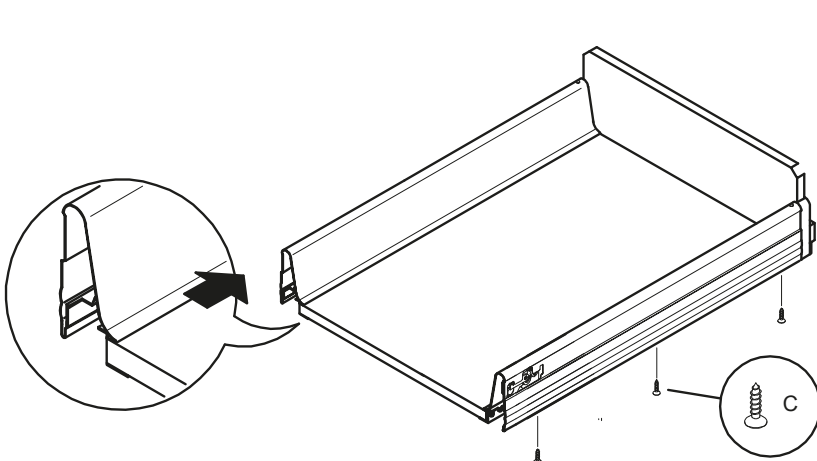
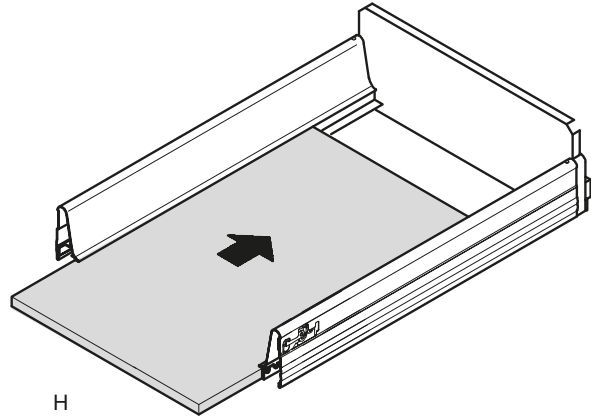
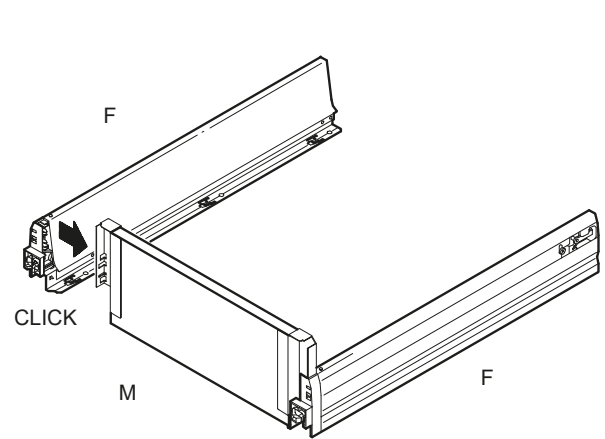
11



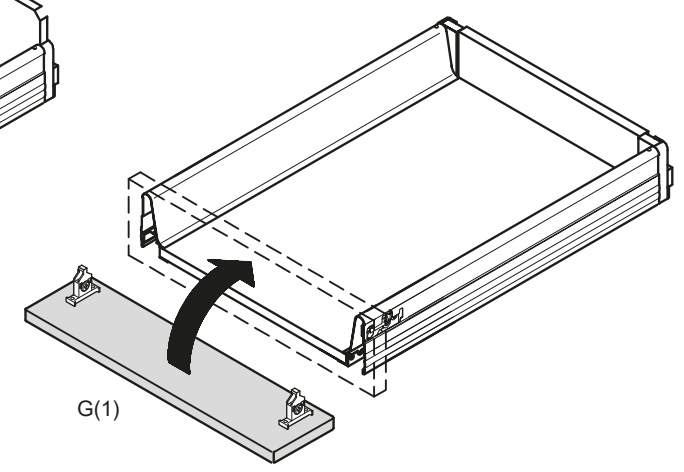
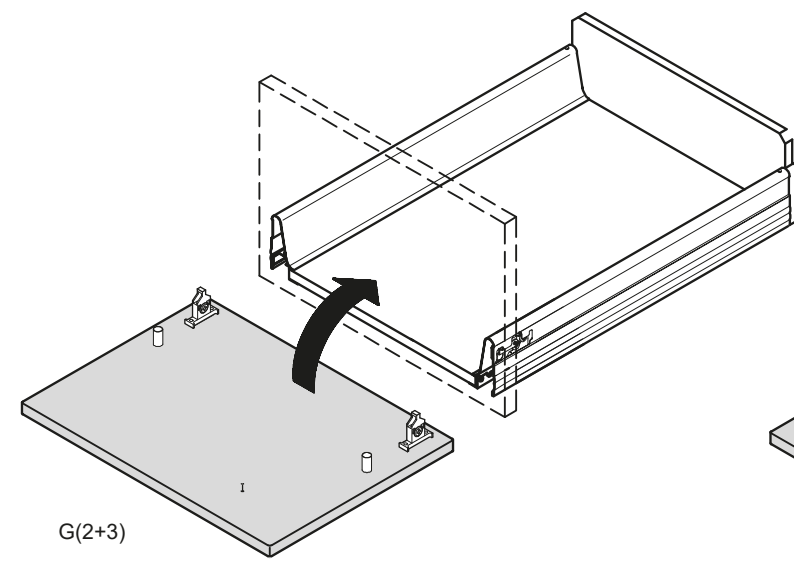
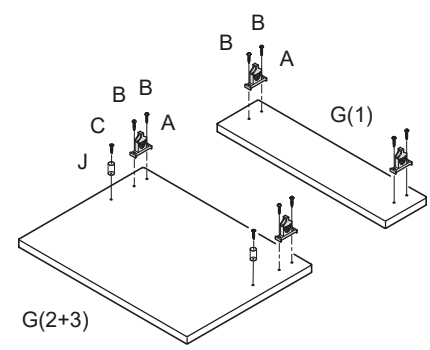
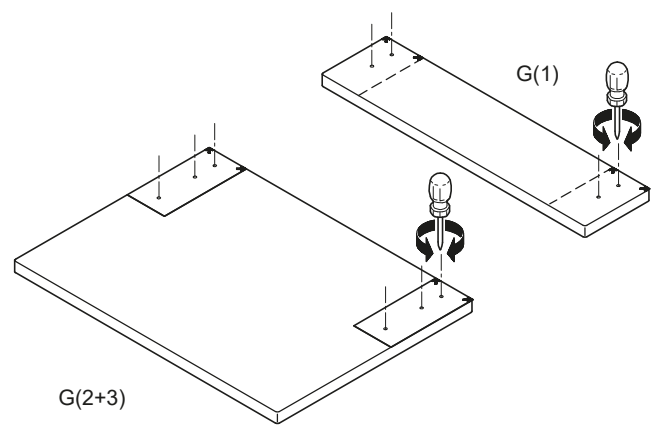
STL23	STH30
STL24	STH40
STL25	STH50
STL30	STH60
STL40	STH80
STL50	STH100
STL60	
STL80	
STL100	
ST4012	
ST3011	ST5012
ST4031	ST6012
ST5031	ST8012
ST6031	ST10012
STVL60	STVH60
STVL80	STVH80
STVL100	STVH100
SV035	



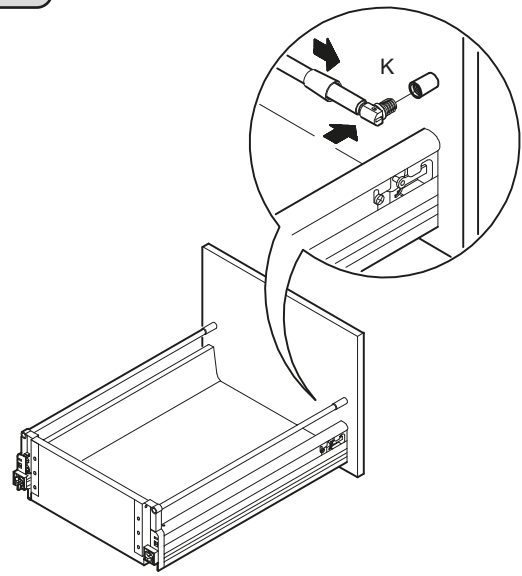
1 2 3 4



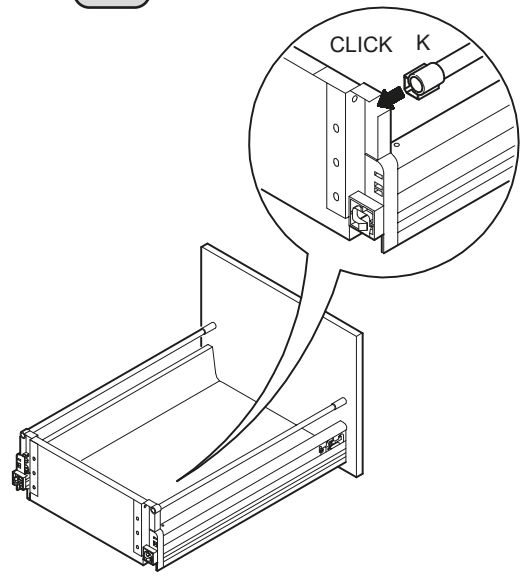
5 6 7 7b



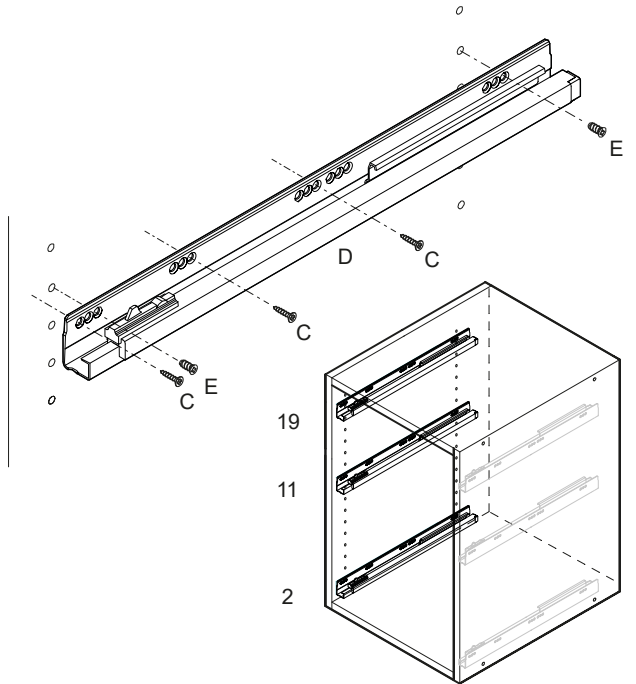
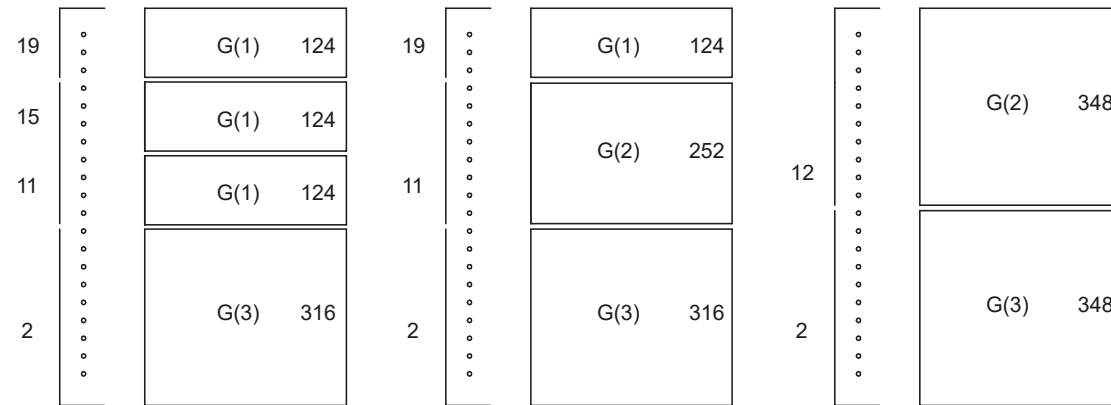
8



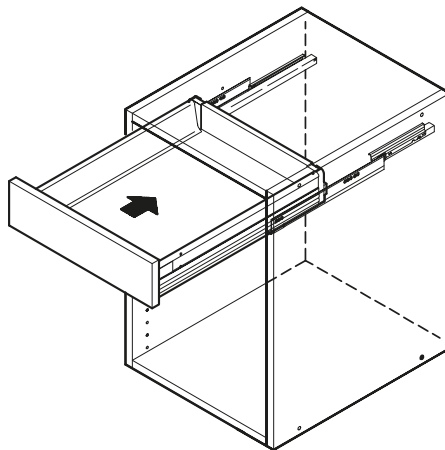
9



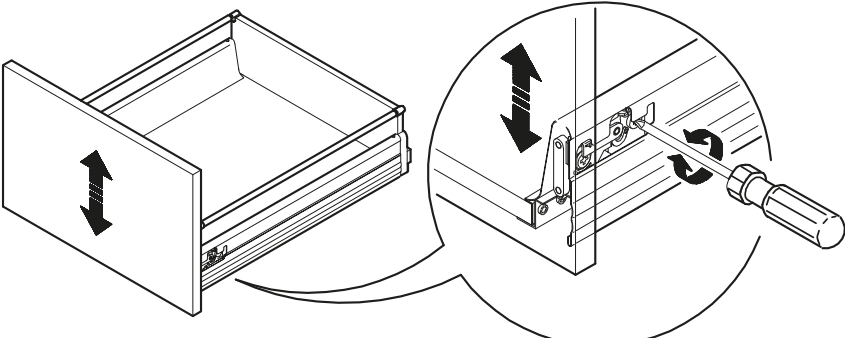
10



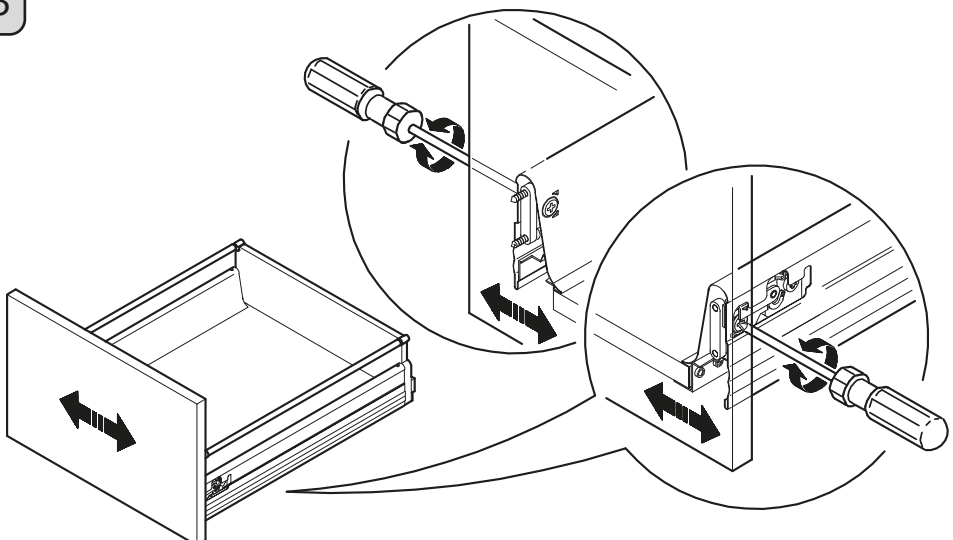
11



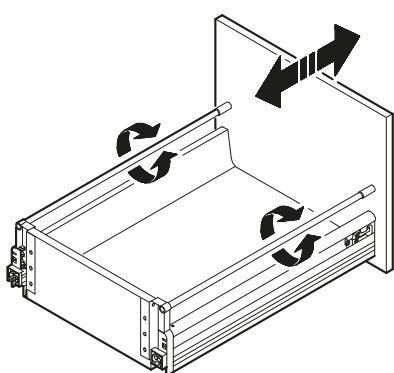
12



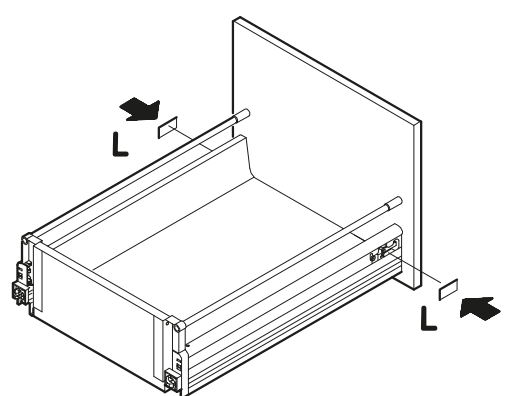
13



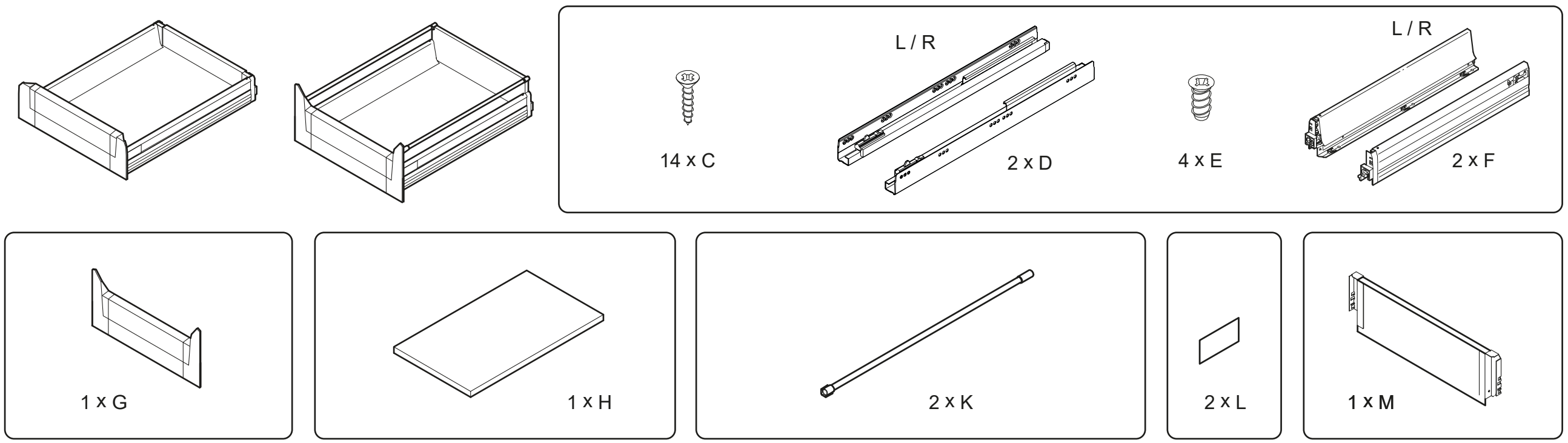
14



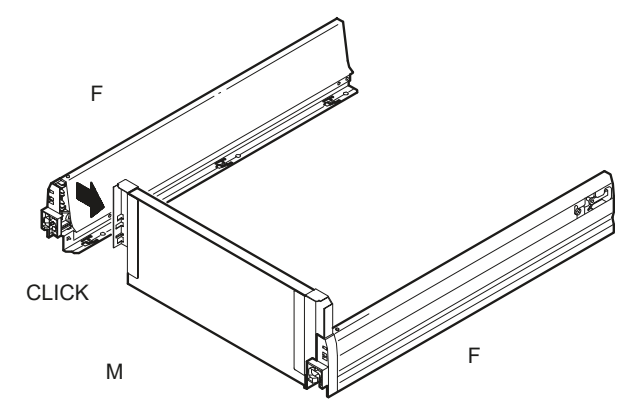
15



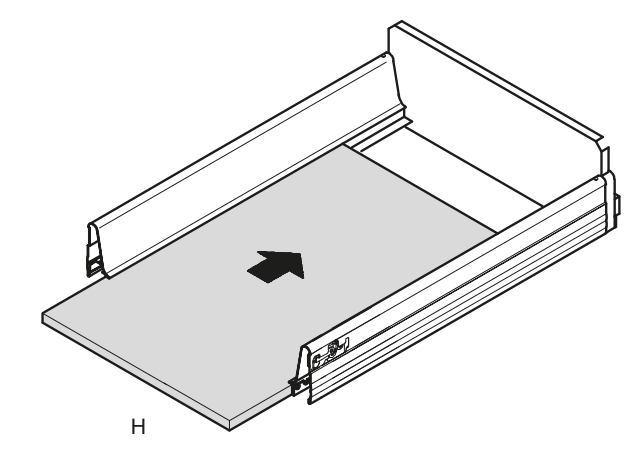
STIKL401  
 STIKL501  
 STIKL601  
 STIKL801  
 STIKL1001  
  
 STIKH40  
 STIKH50  
 STIKH60  
  
 ISTBL301  
 ISTBL401  
 ISTBL501  
 ISTBL601  
 ISTBL801  
 ISTBL1001  
  
 NSTIKHZ401  
 NSTIKHZ601  
 NSTIKHZ801  
 NSTIKLZ401  
 NSTIKLZ601  
 NSTIKLZ801  
  
 SV036



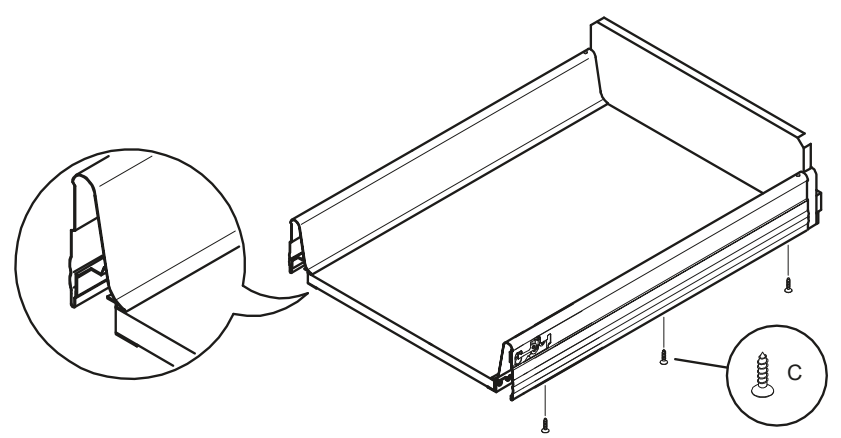
1



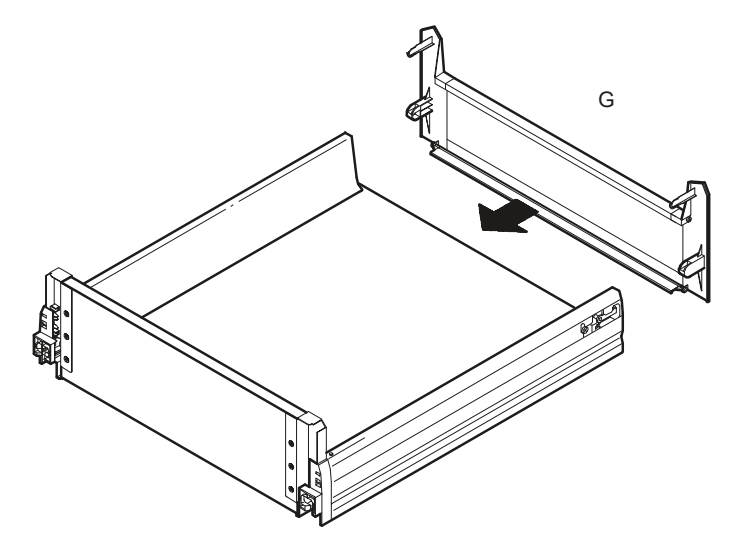
2



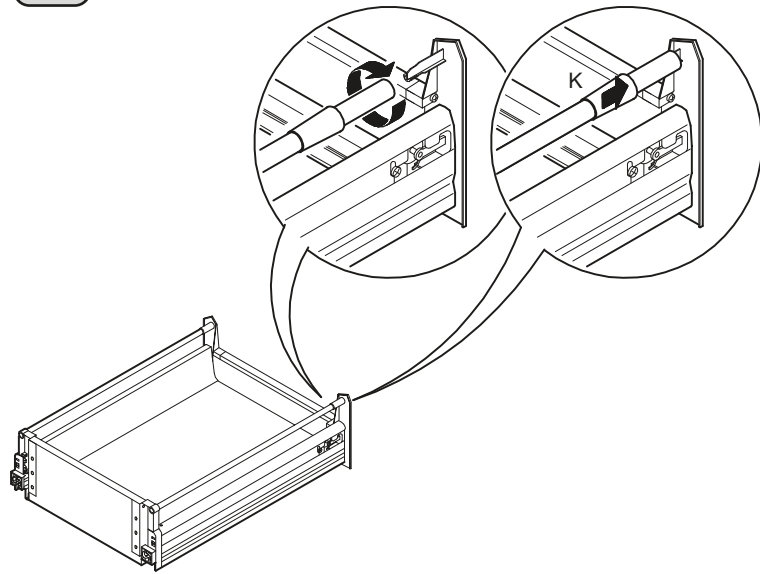
3



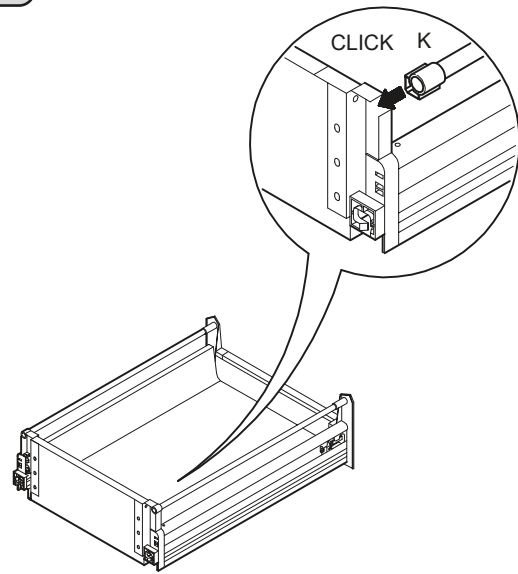
4



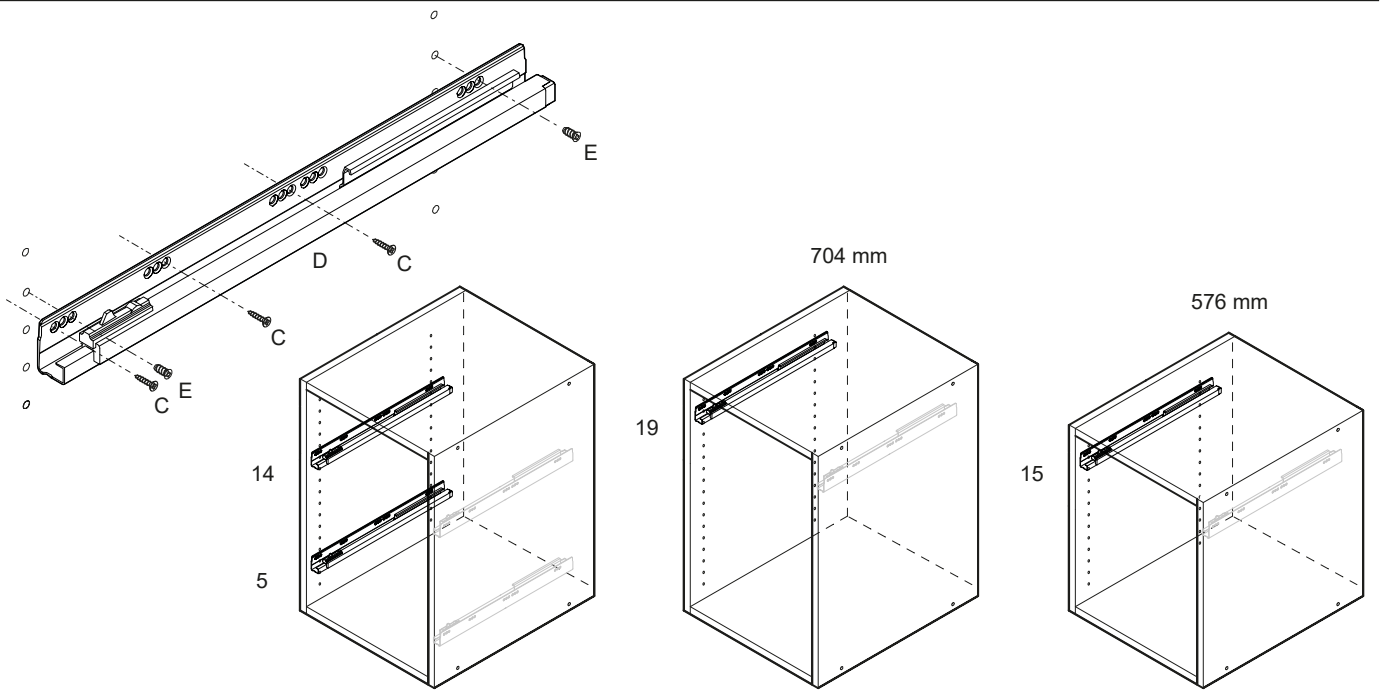
5



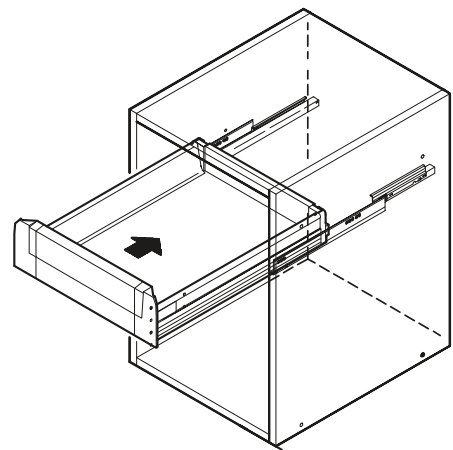
6



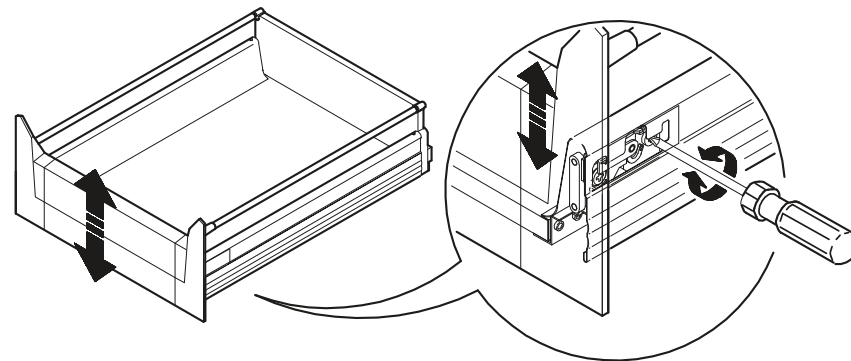
7



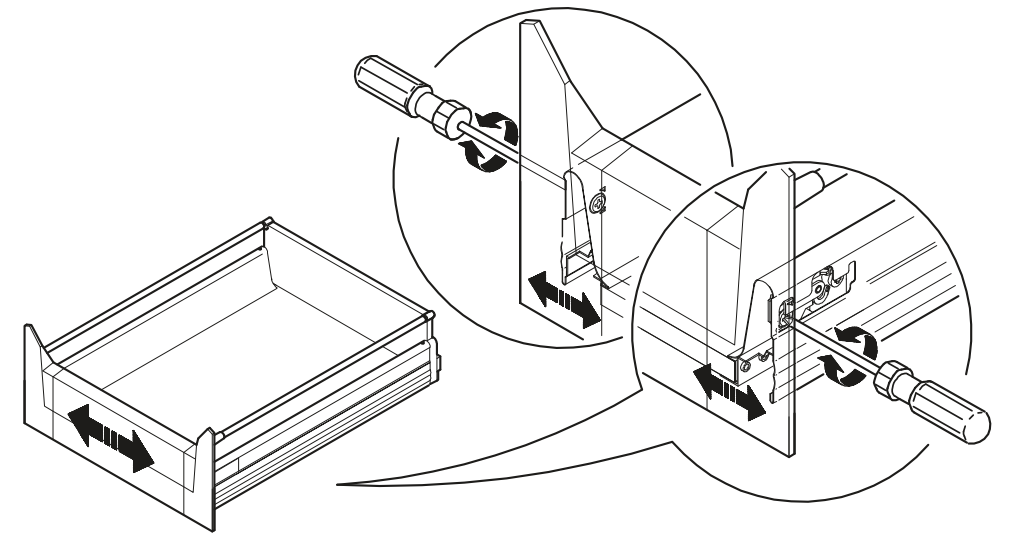
8



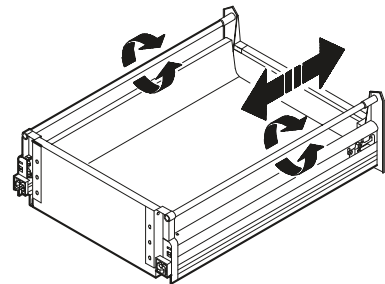
9



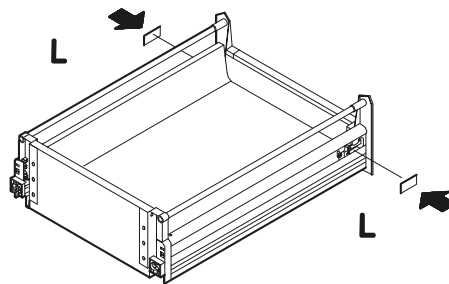
10



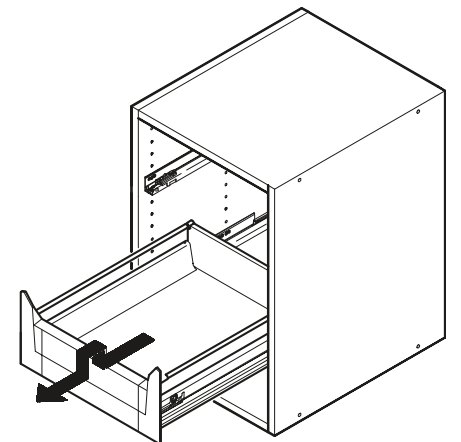
11



12



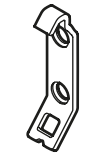
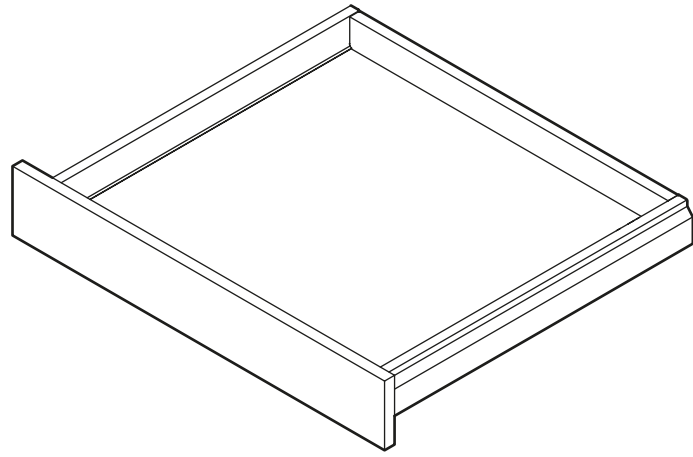
13





SNLL60

SV037



2 x A



4 x ZG  
3,5 x 15

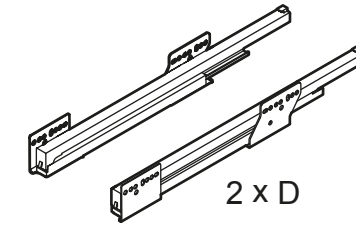


10 x ZC  
3,5 x 15



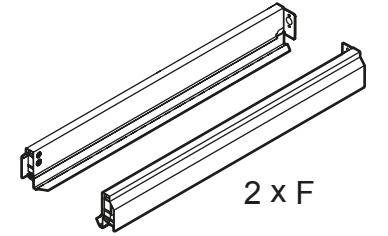
6 x ZI  
4,0 x 15

L/R

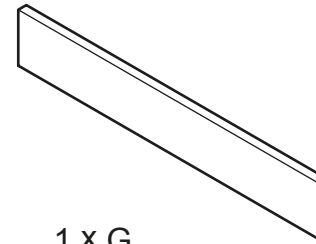


2 x D

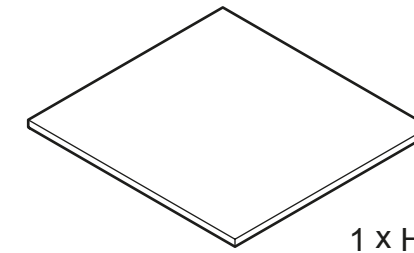
L/R



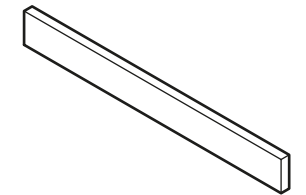
2 x F



1 x G

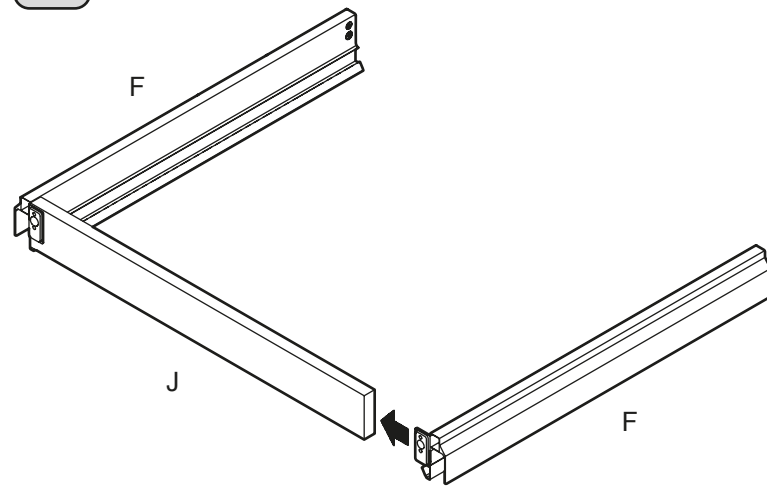


1 x H

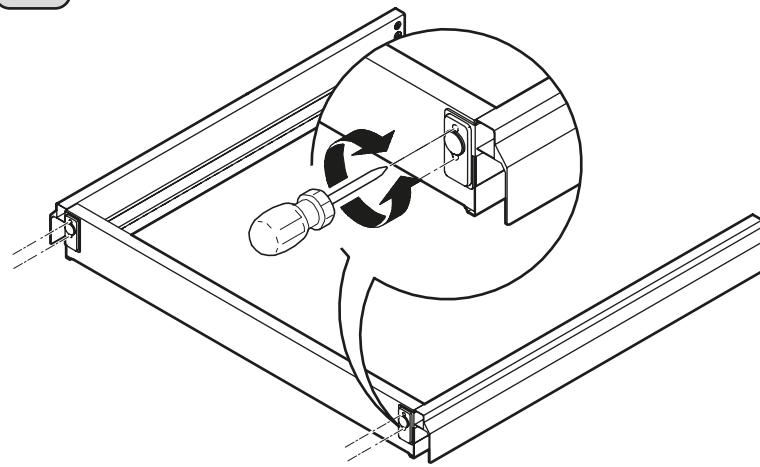


1 x J

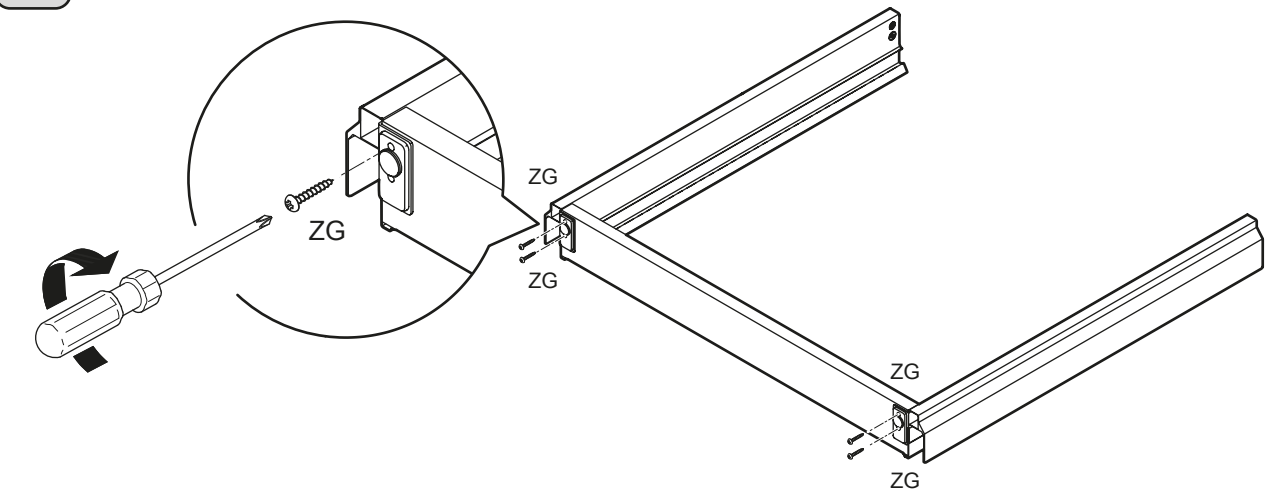
1



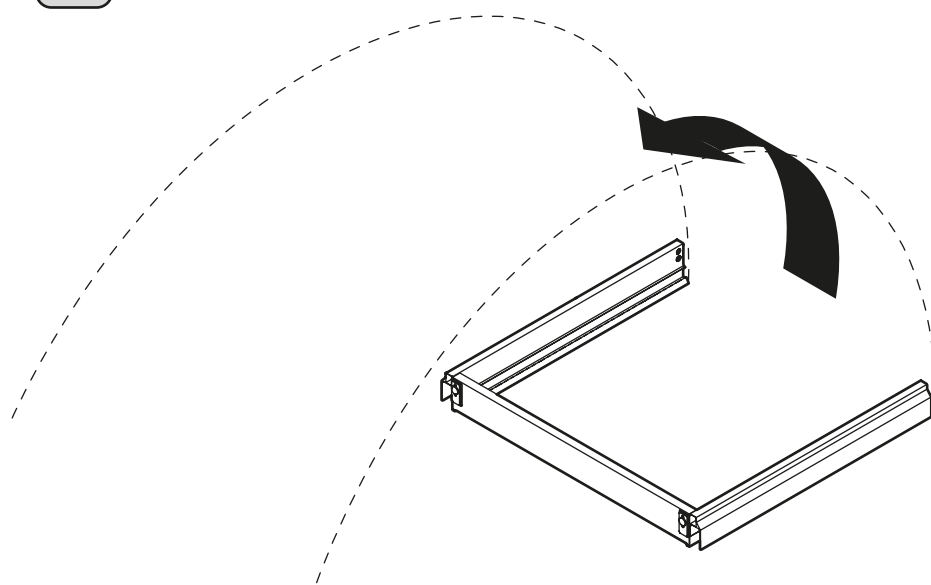
2



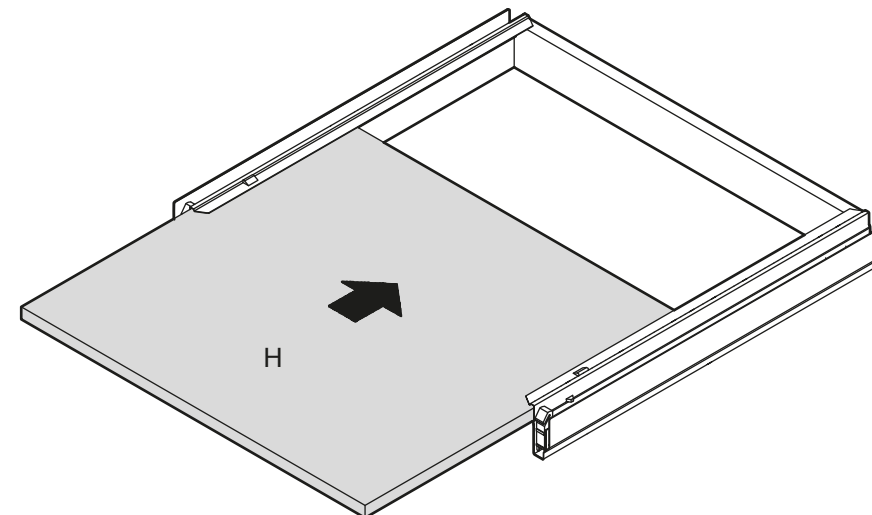
3



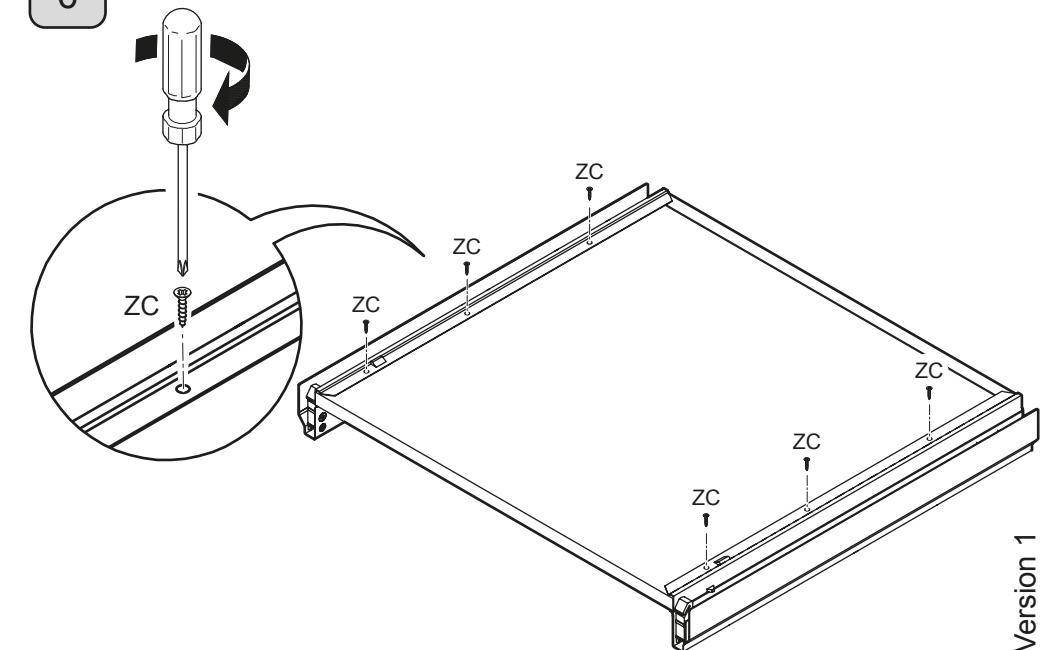
4



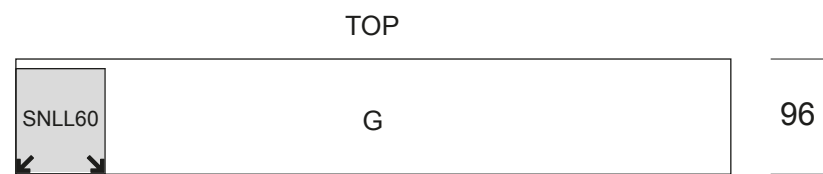
5



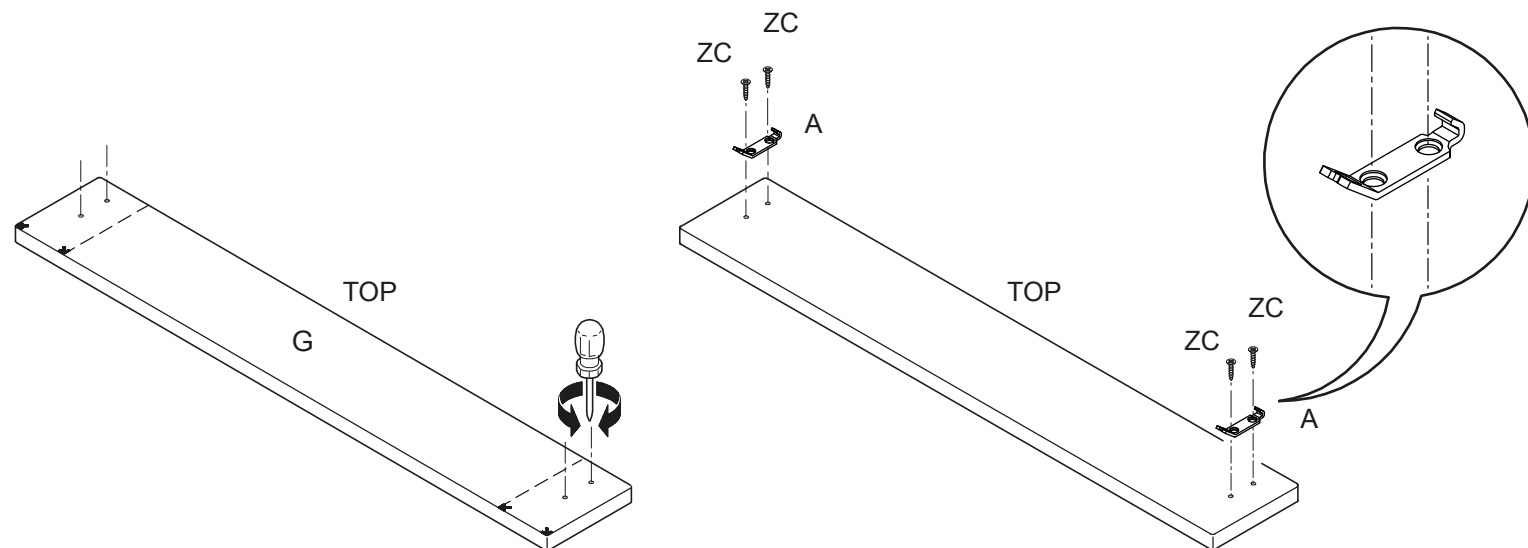
6



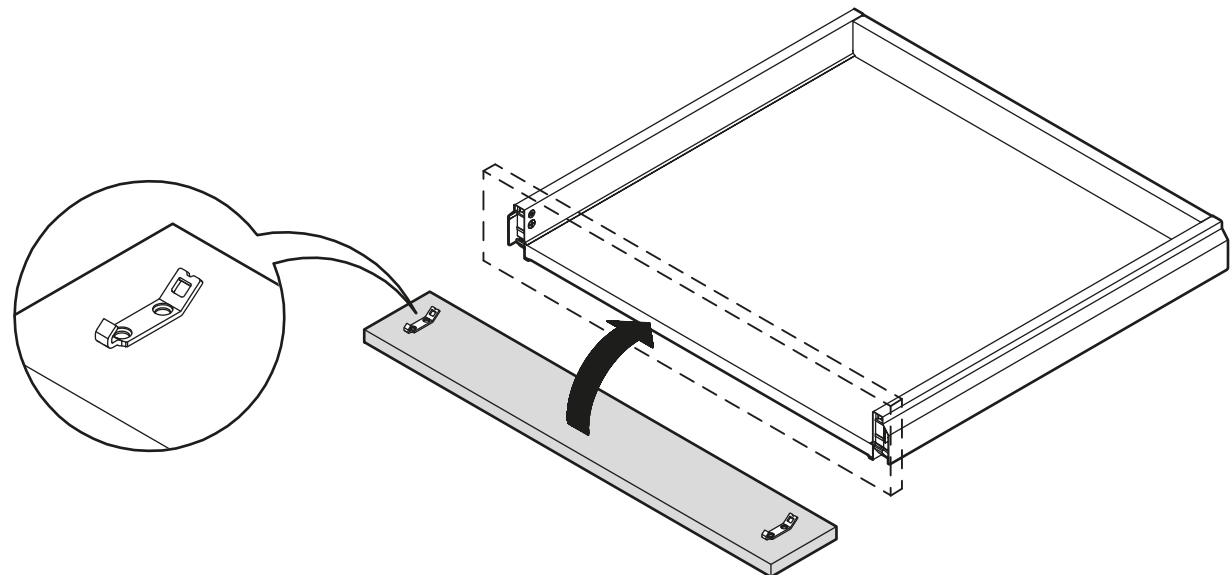
7



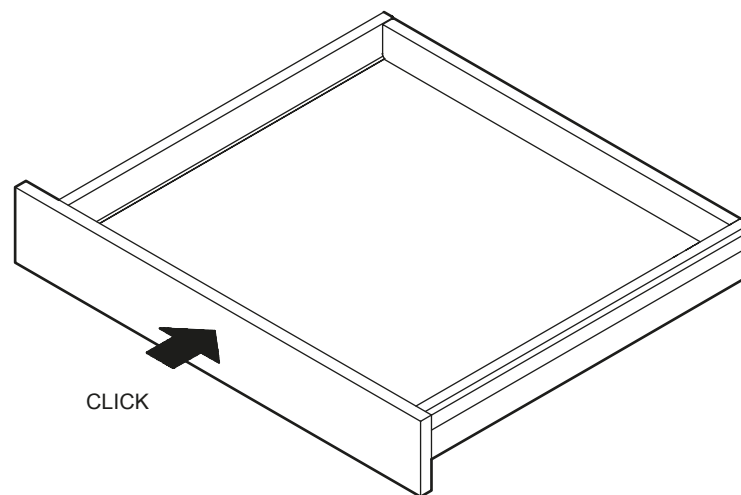
8



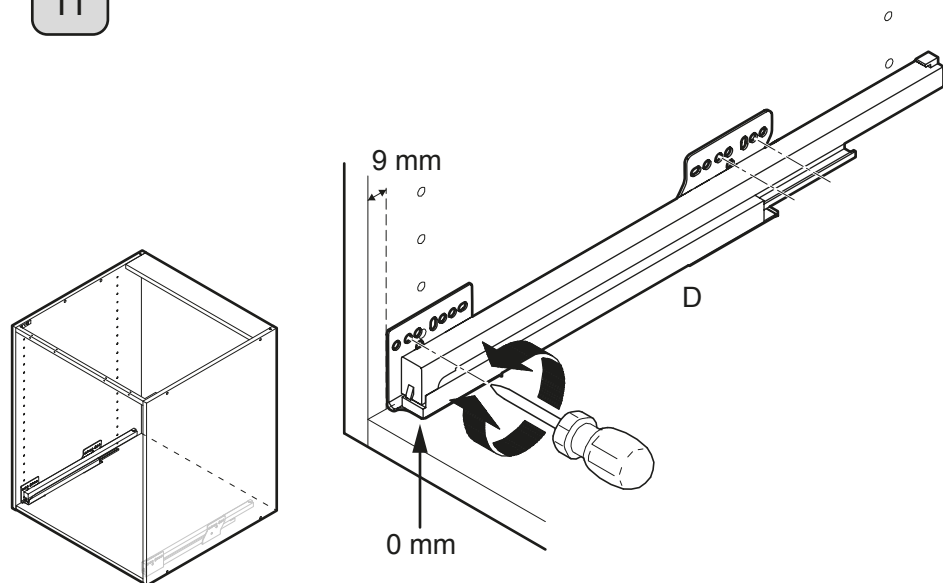
9



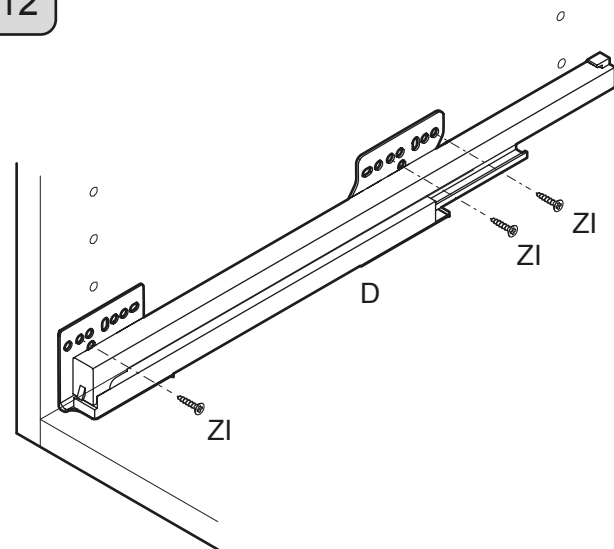
10



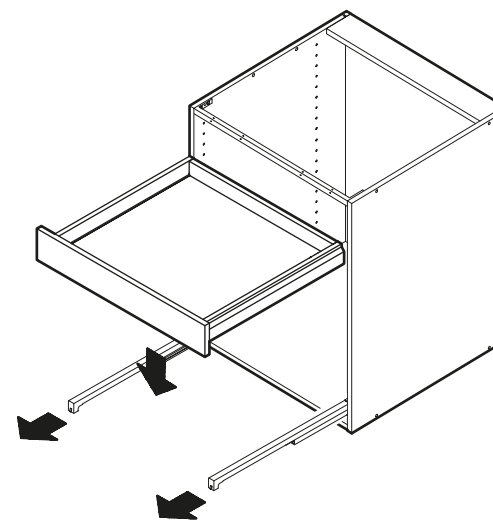
11



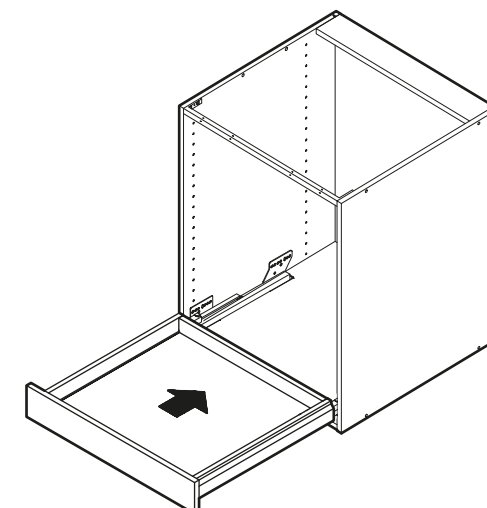
12



13

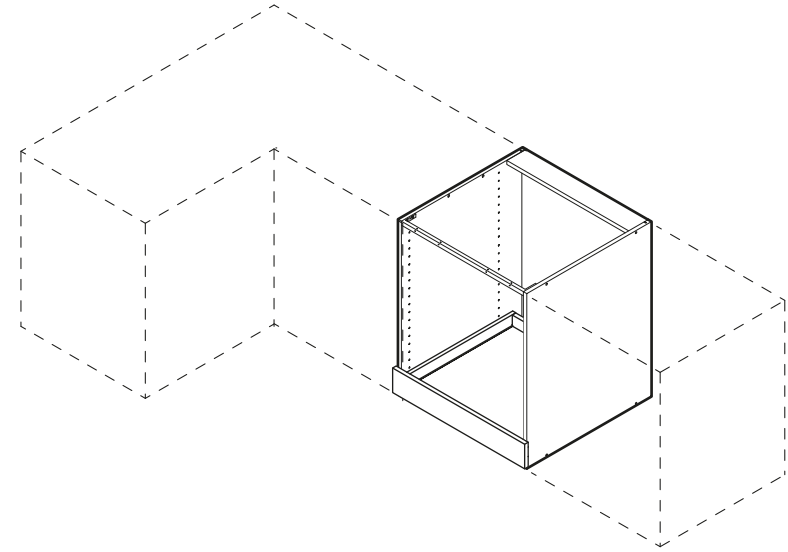


14

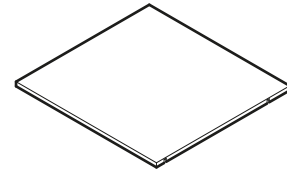




KSS61-



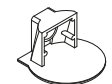
KH601  
KH602



1 x EG



4 x MK

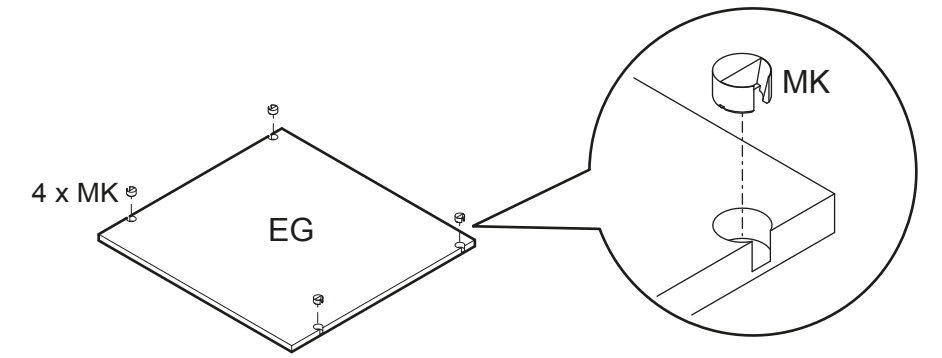


4 x MM

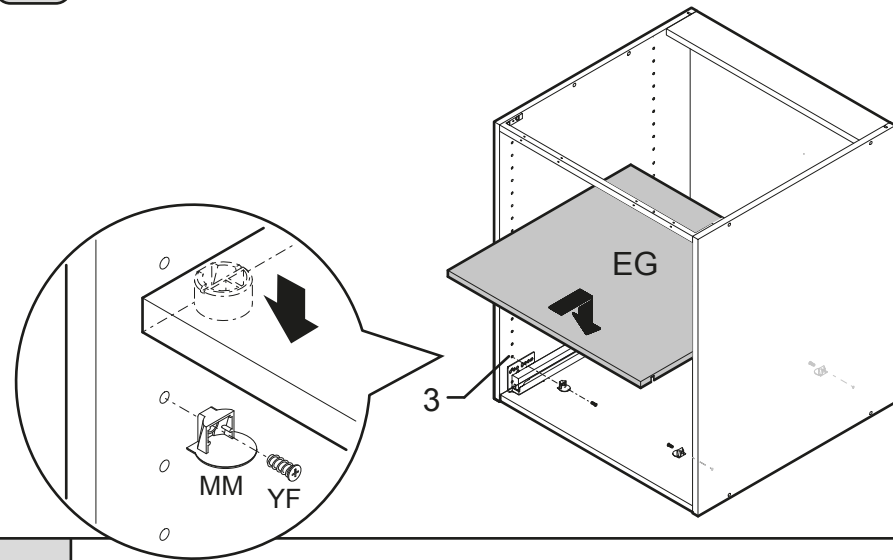


4 x YF  
6,3 x 14,5

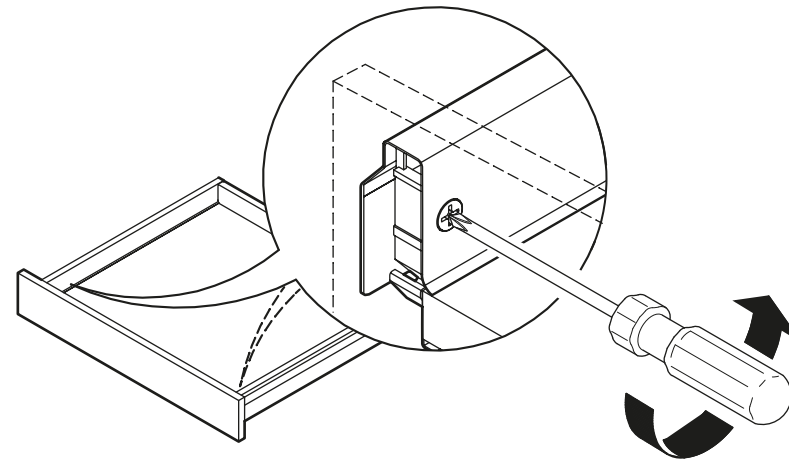
15



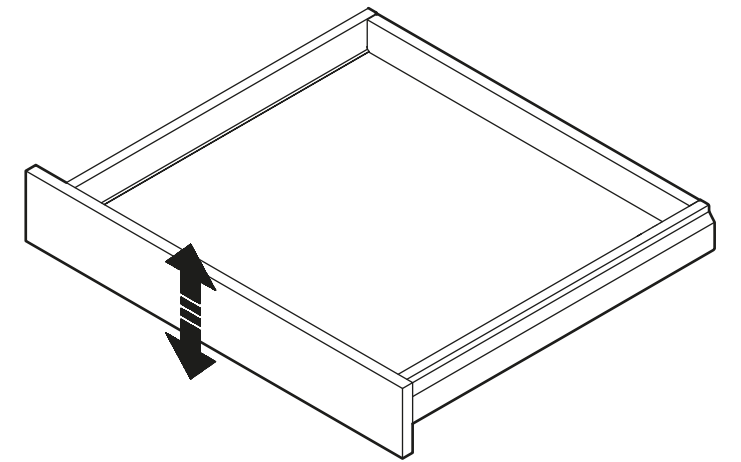
16



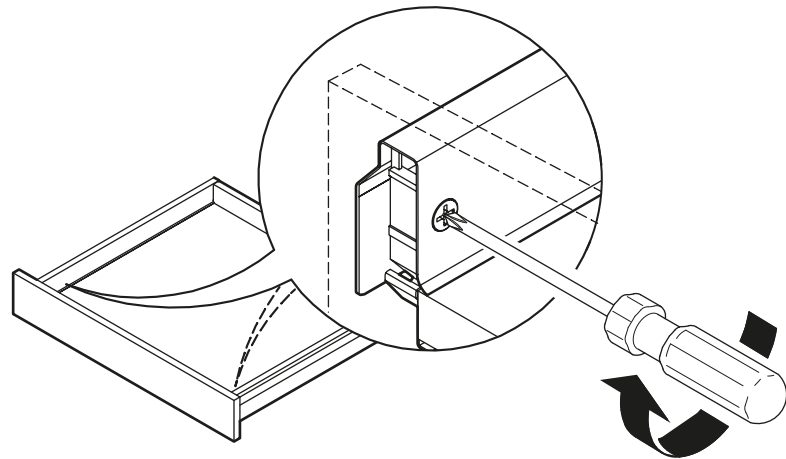
17



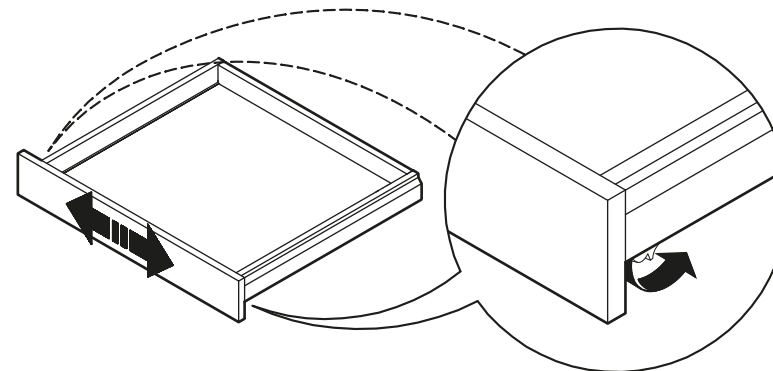
18



19

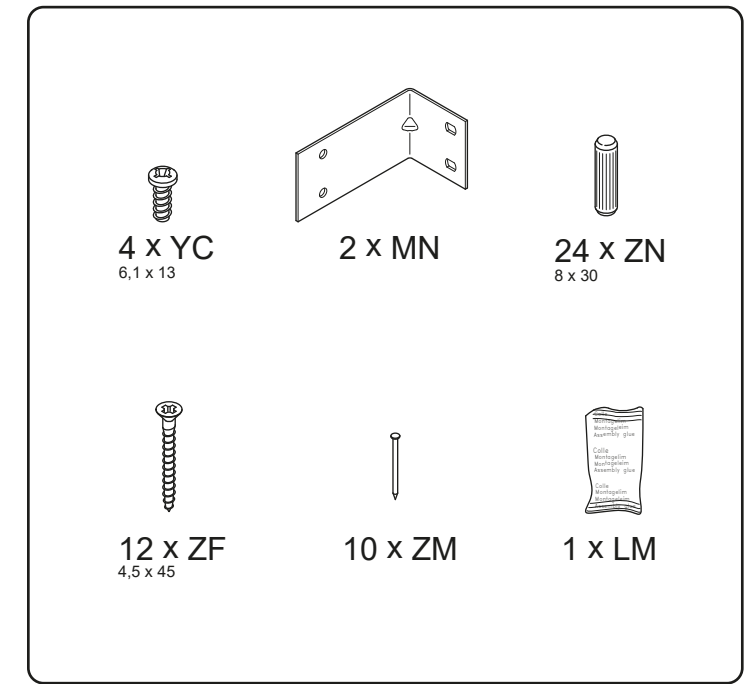
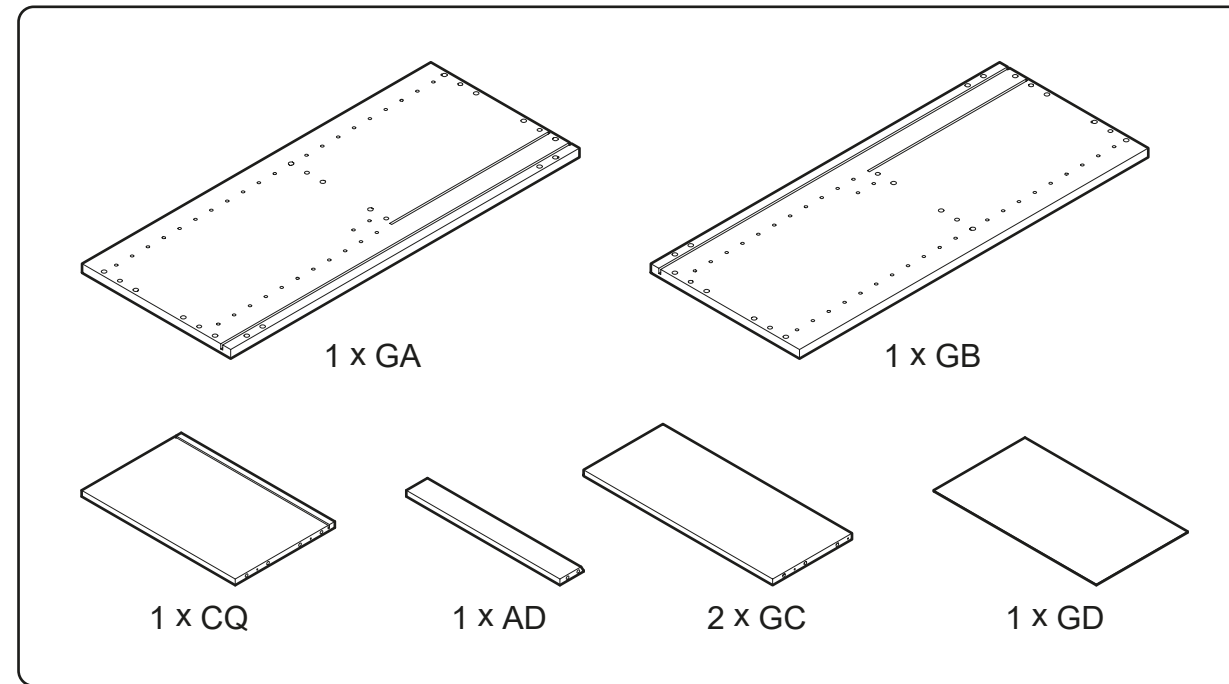
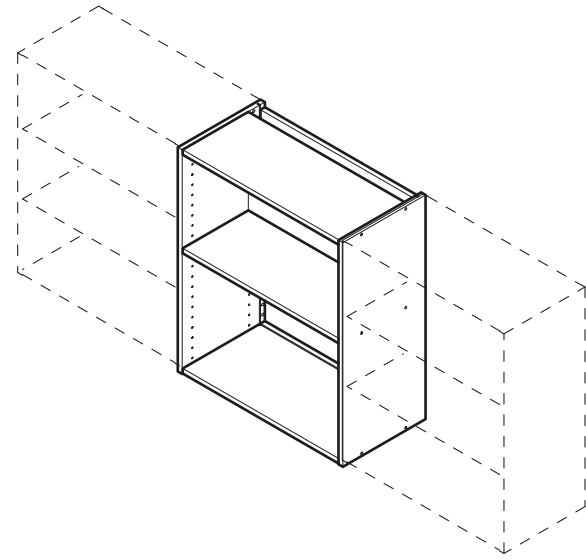


20

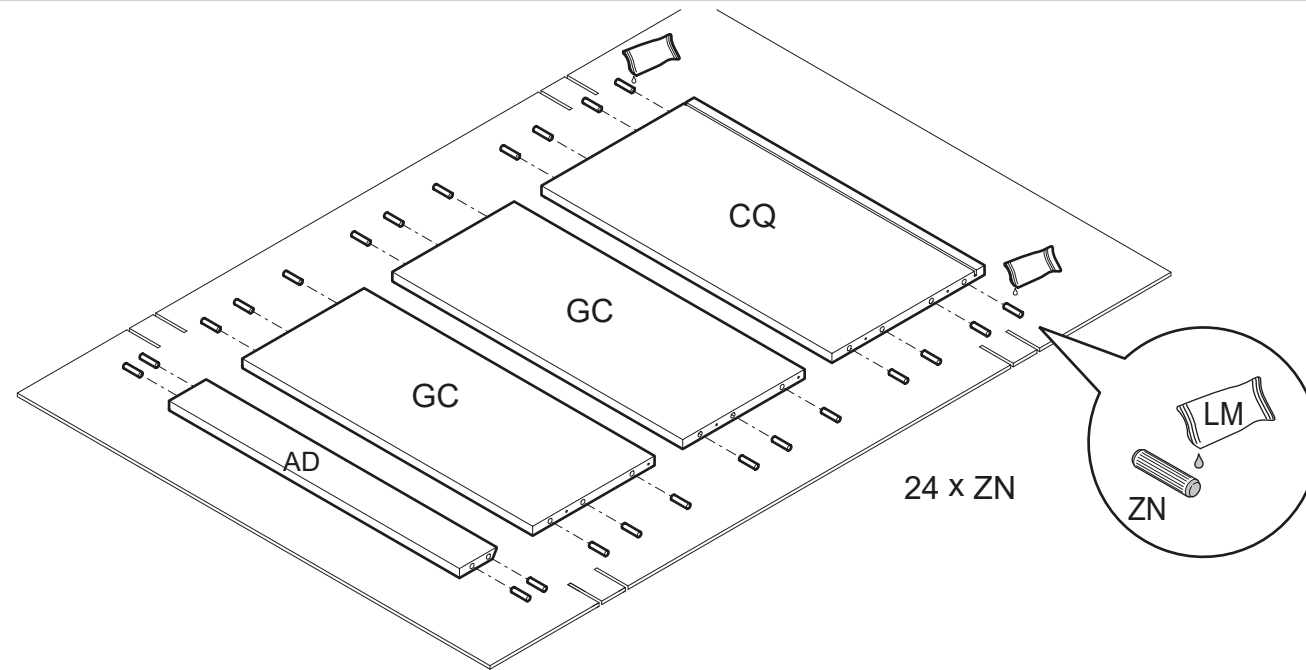


OMO60  
OHMO60

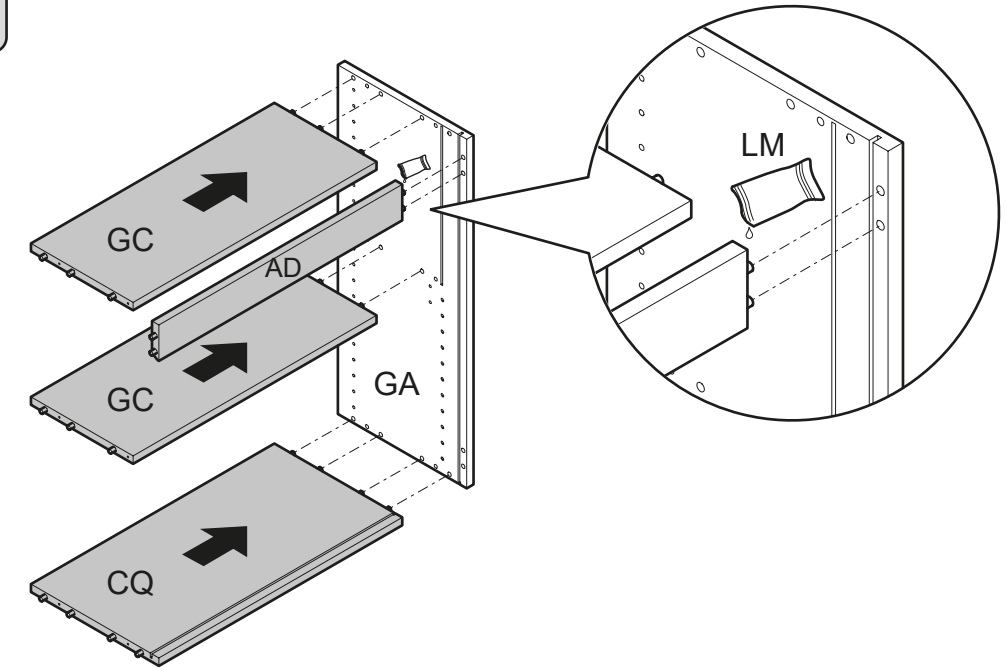
SV039



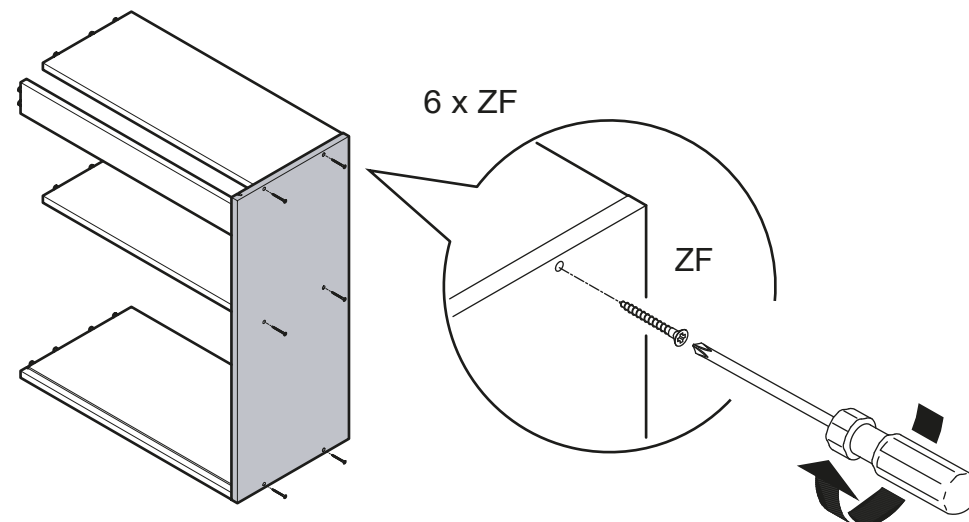
1



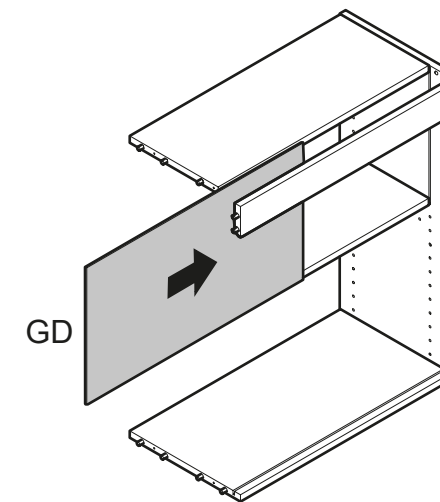
2



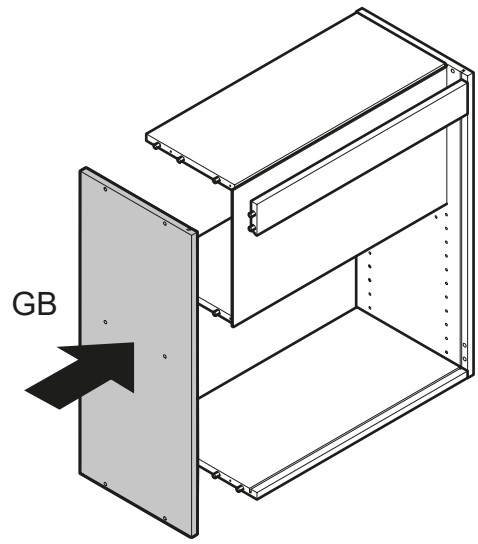
3



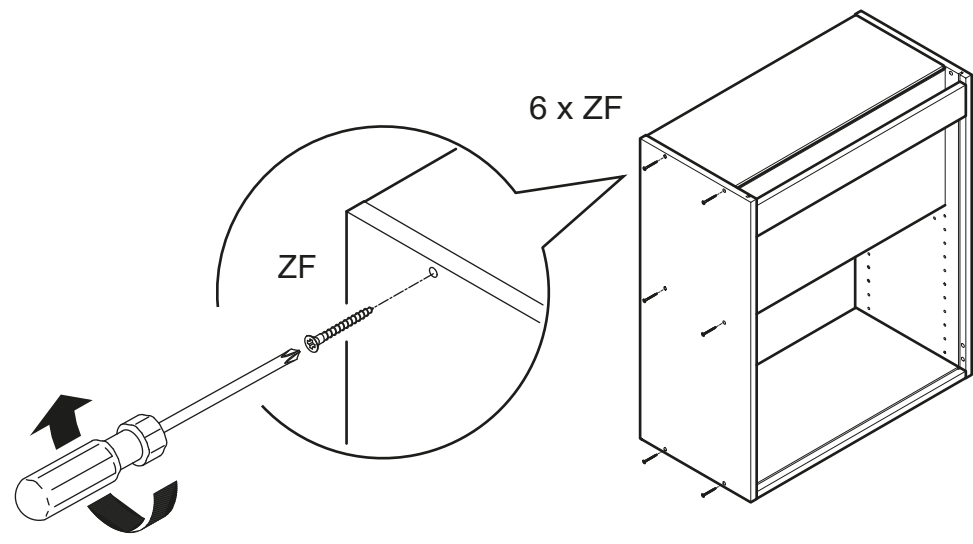
4



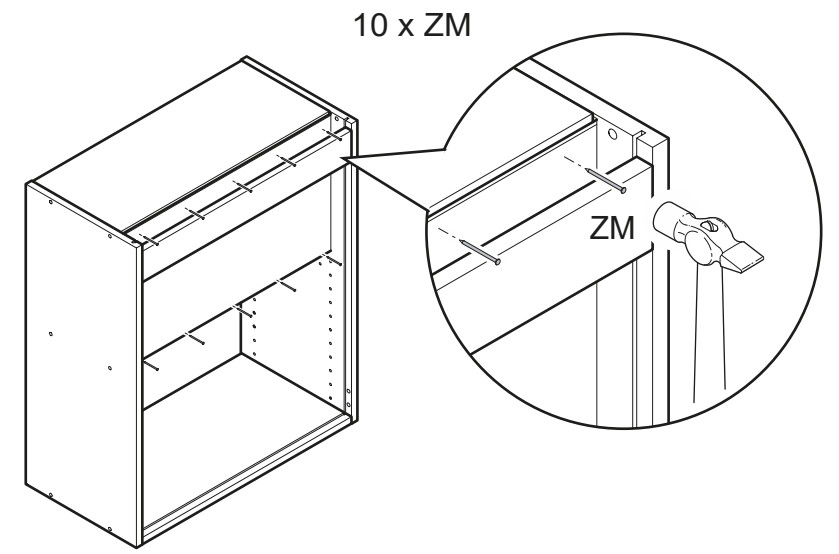
5



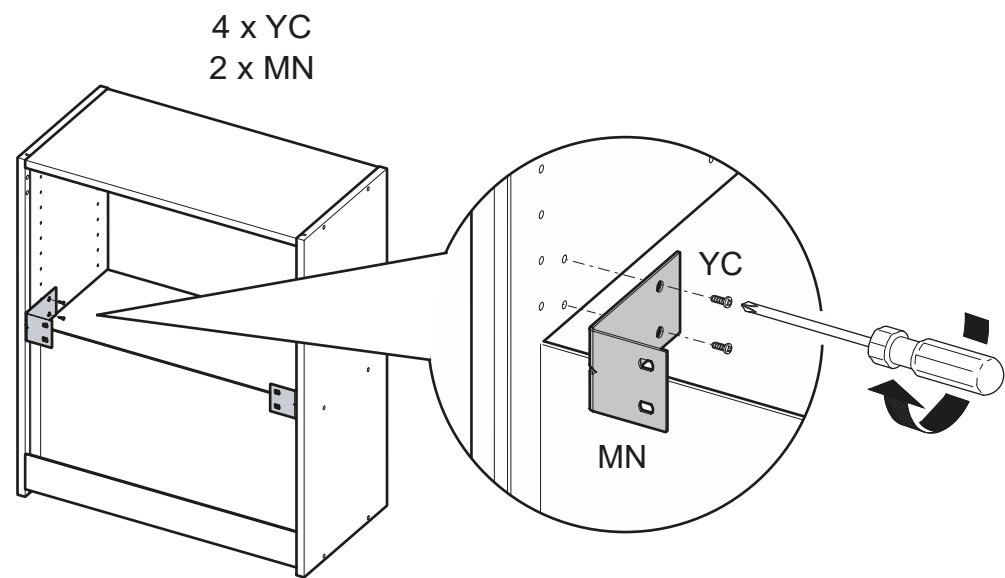
6



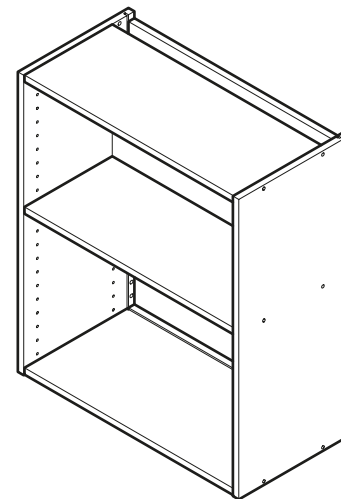
7



8

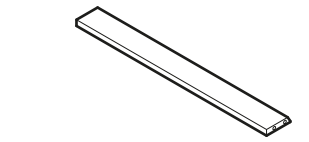
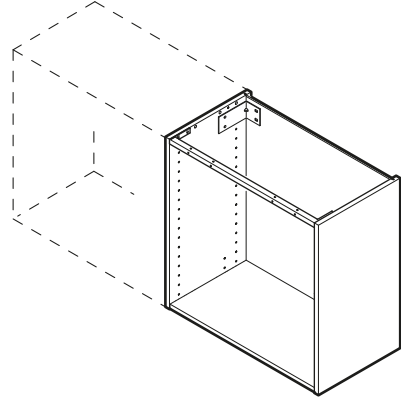


9

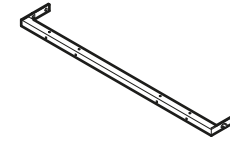


SBLU601  
SBLU801

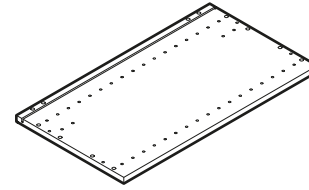
SV040



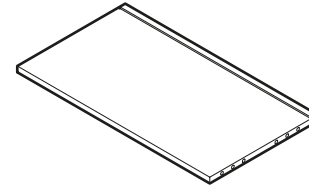
1 x AD



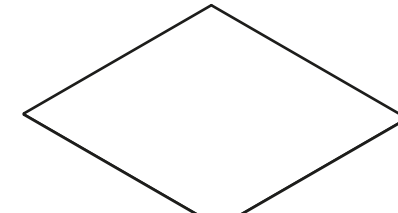
1 x EQ



2 x EM



1 x EN



1 x EP



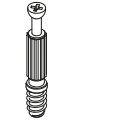
12 x ZN  
8 x 30



2 x ZH  
6,1 x 11,5



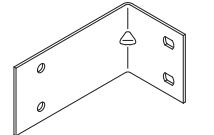
4 x ZV



4 x ZU

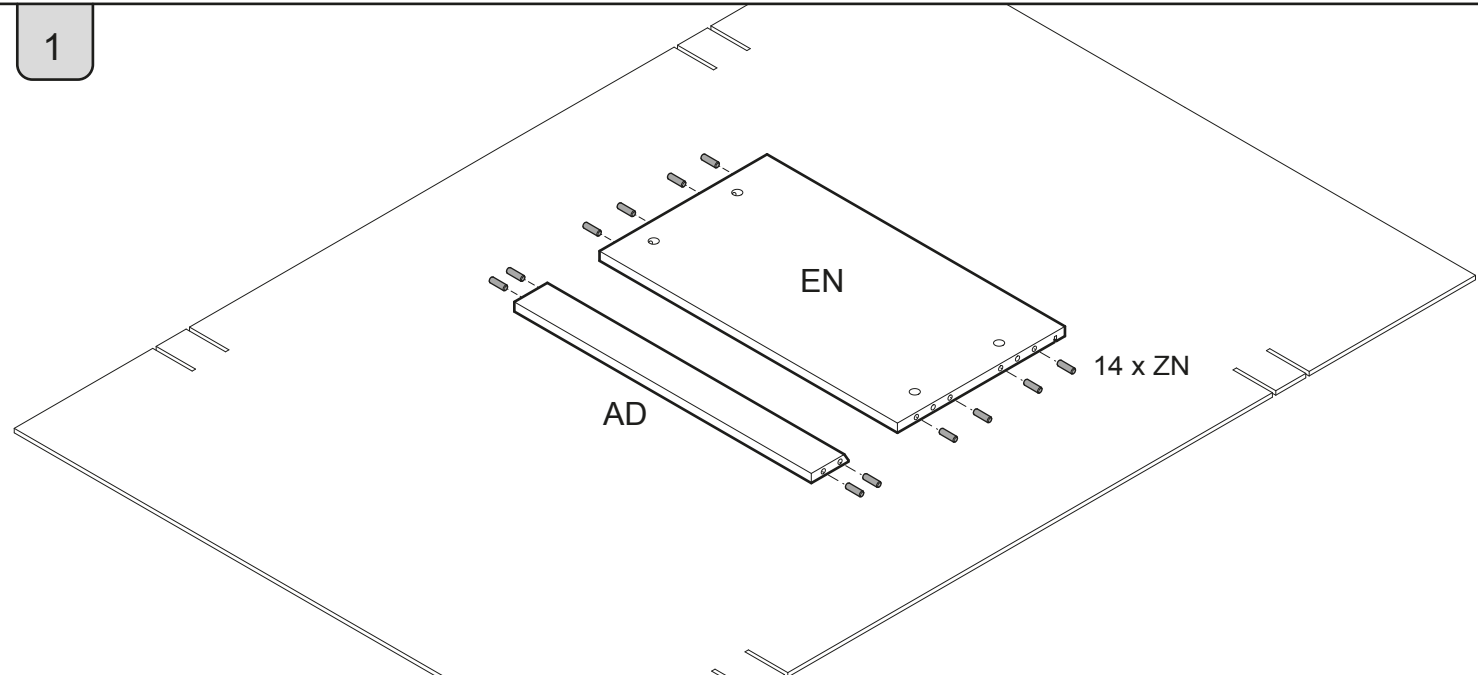


4 x YC  
6,1 x 13

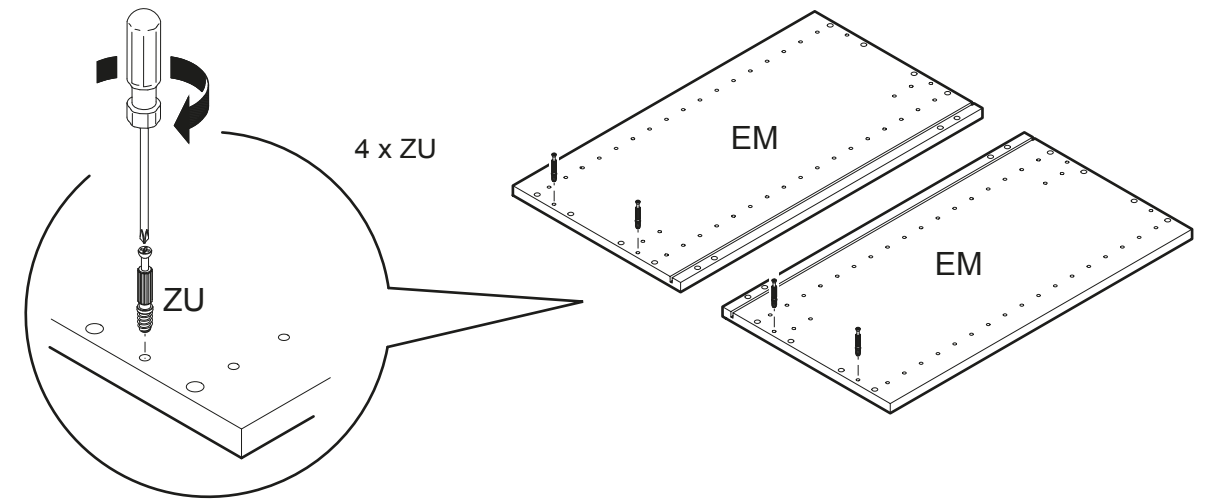


2 x MN

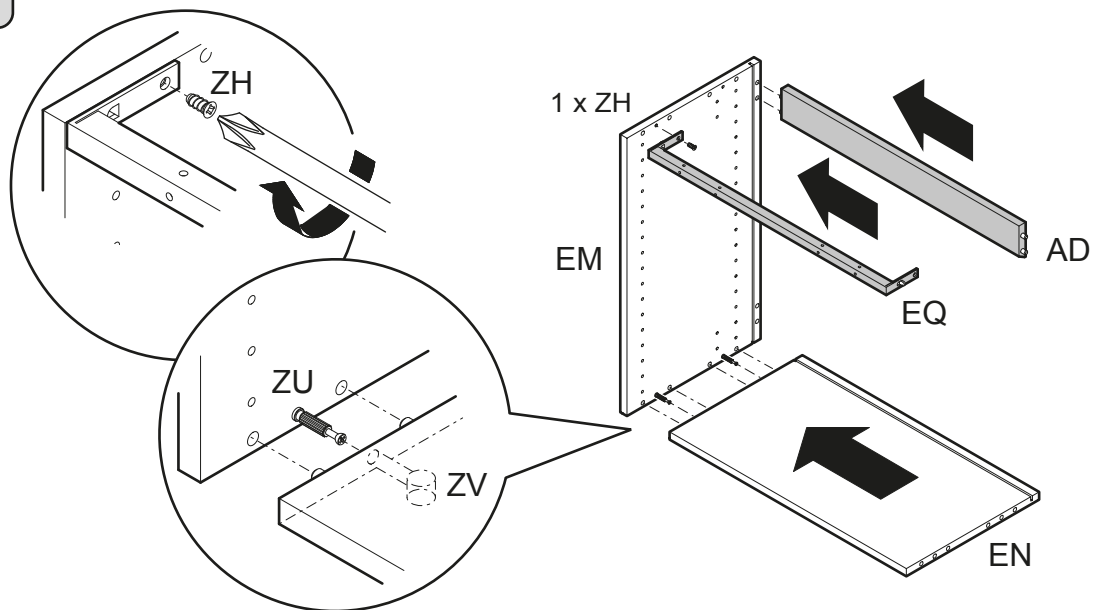
1



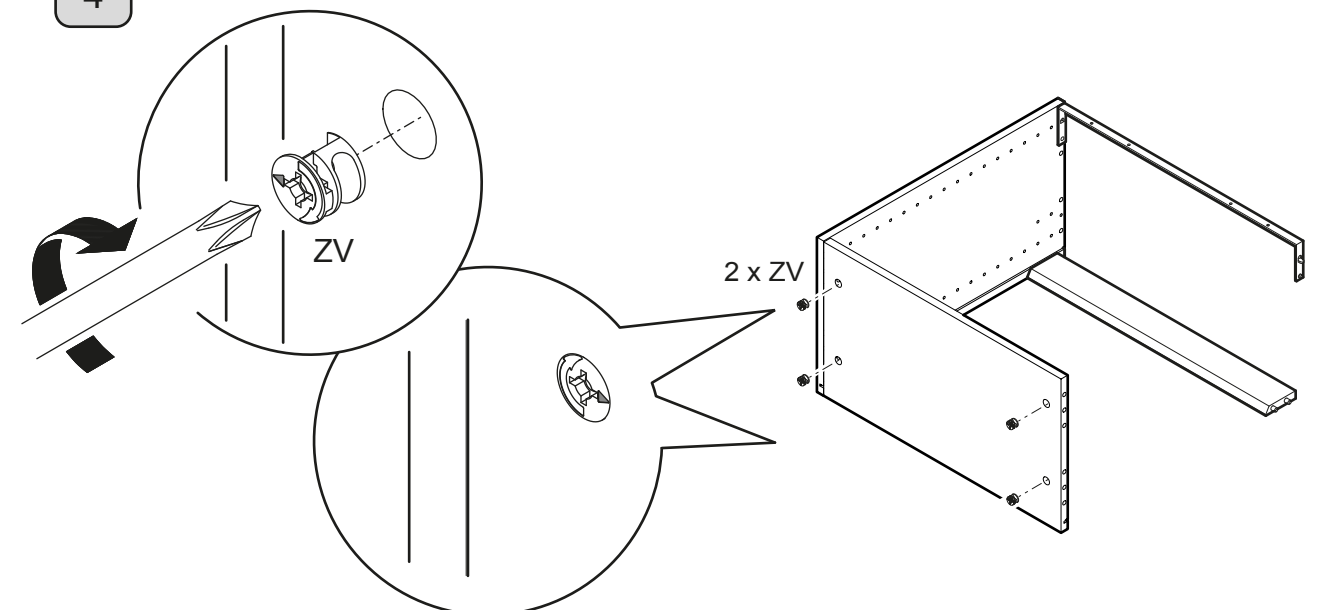
2



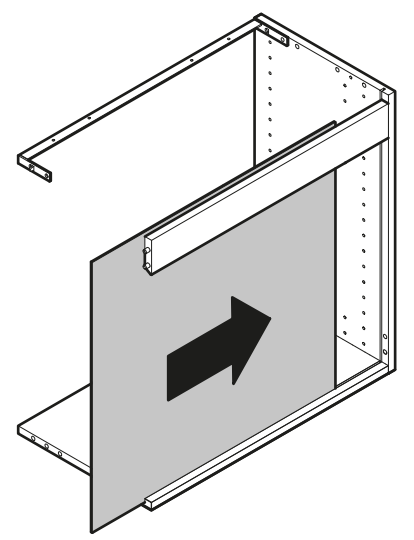
3



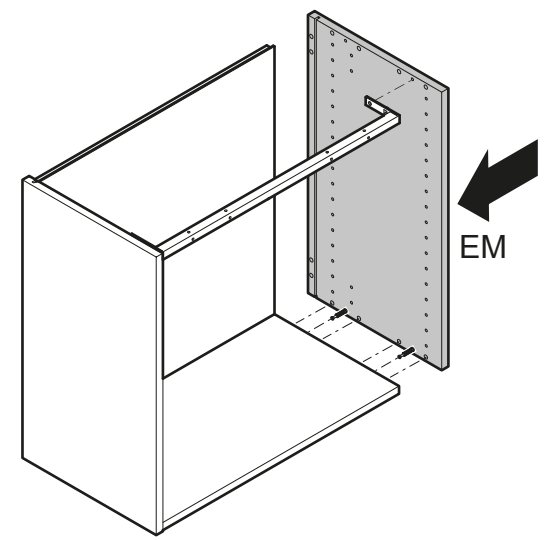
4



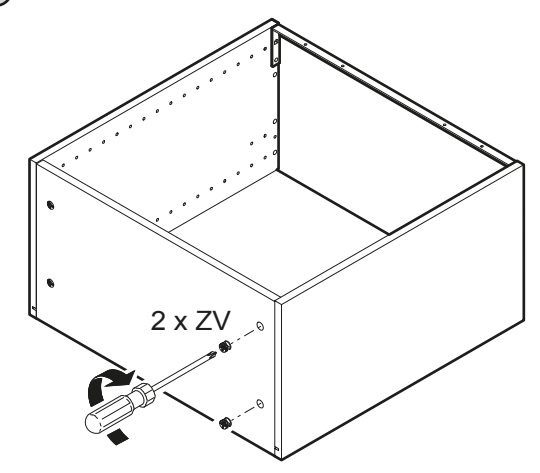
5



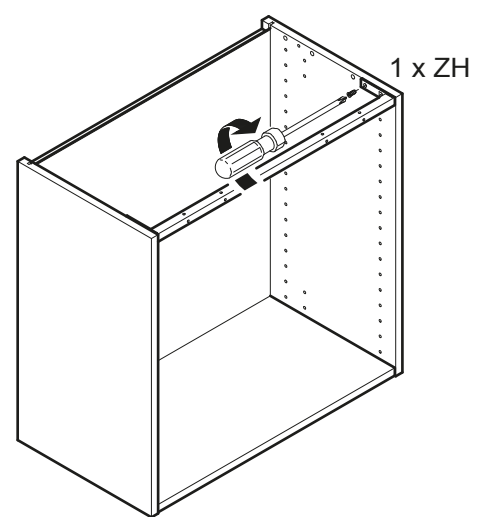
6



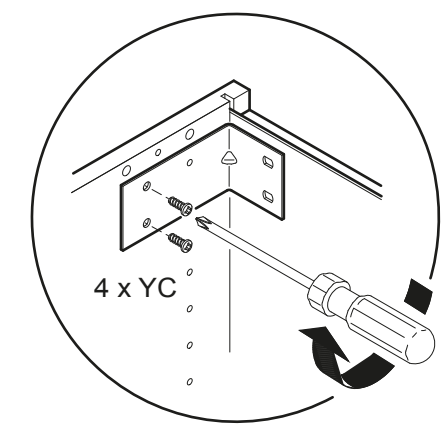
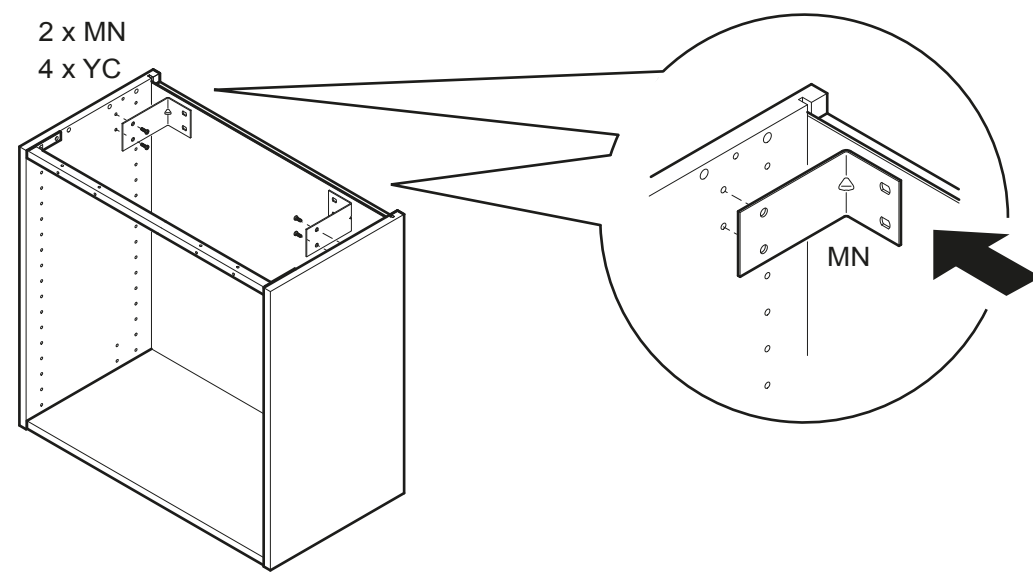
7



8

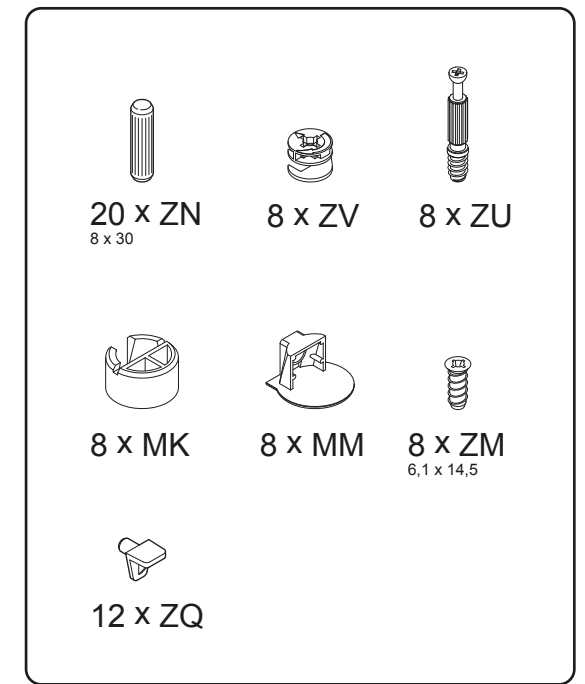
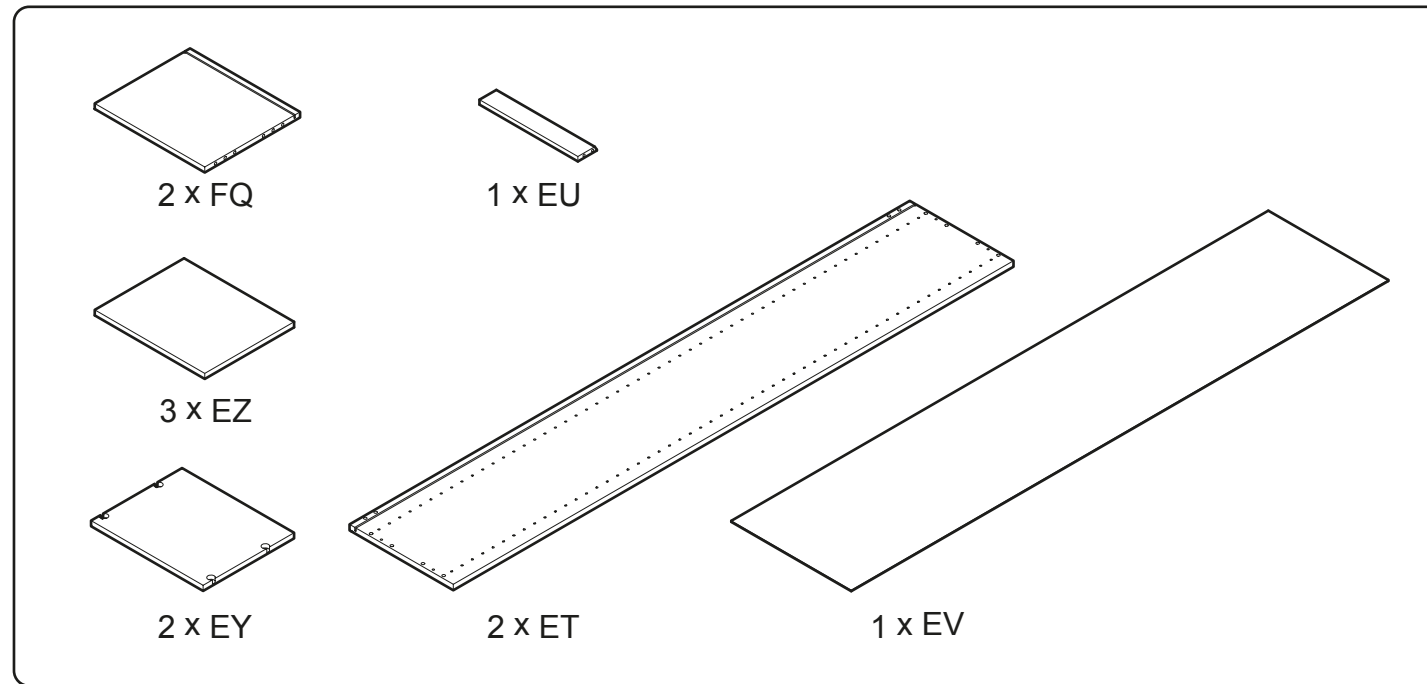
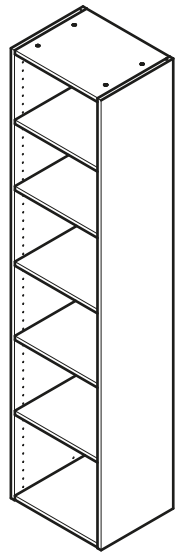


9

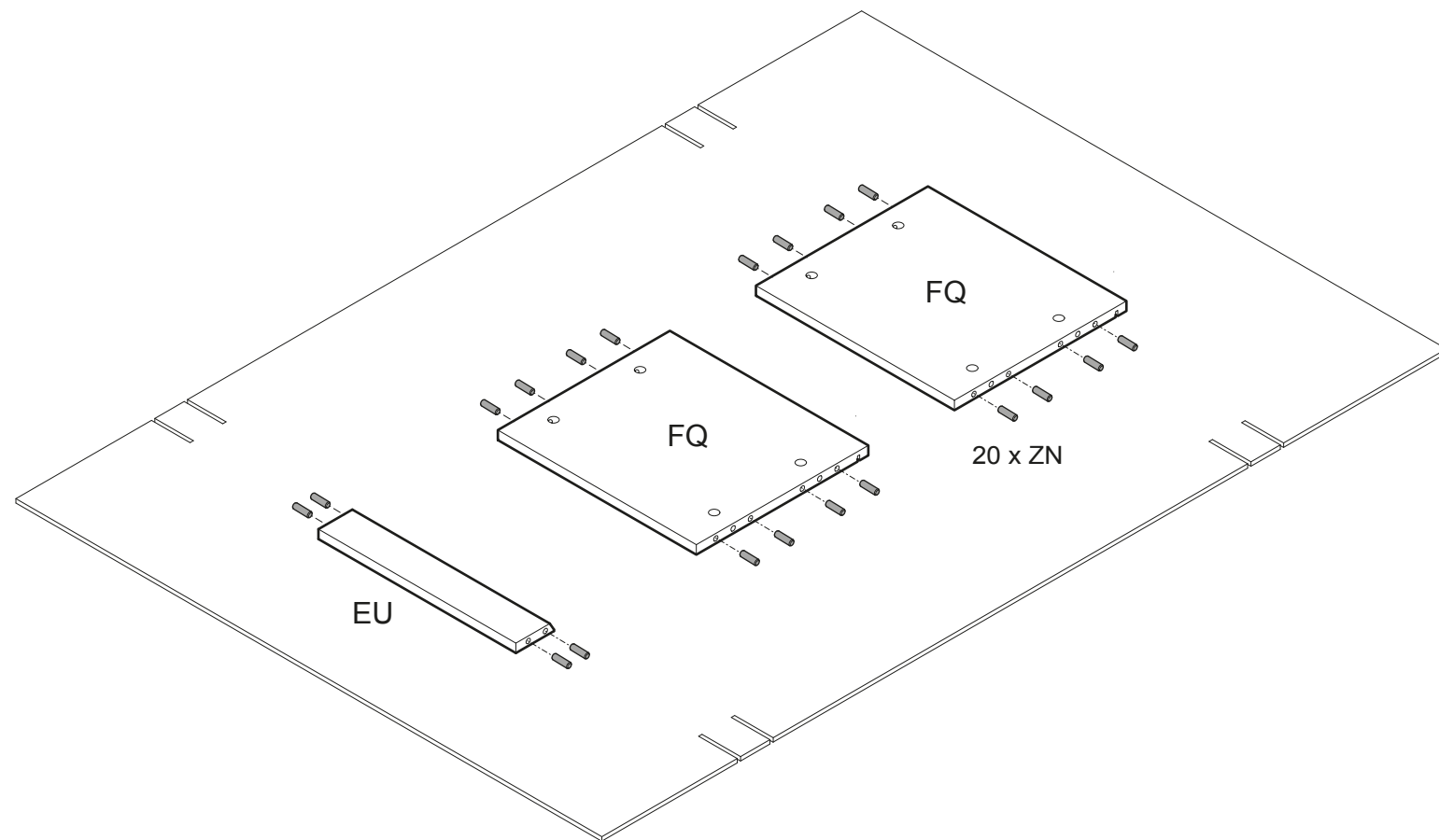


SBH301  
SBH401

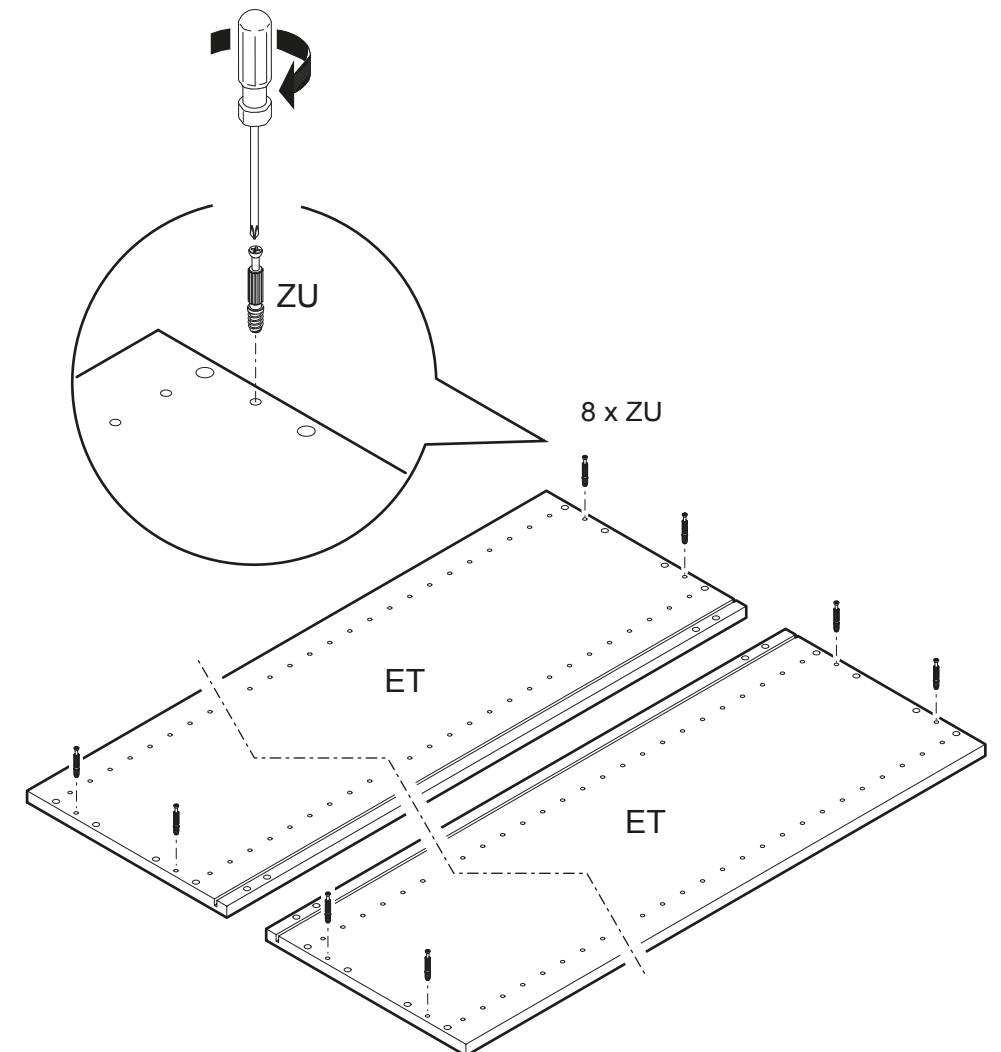
SV041



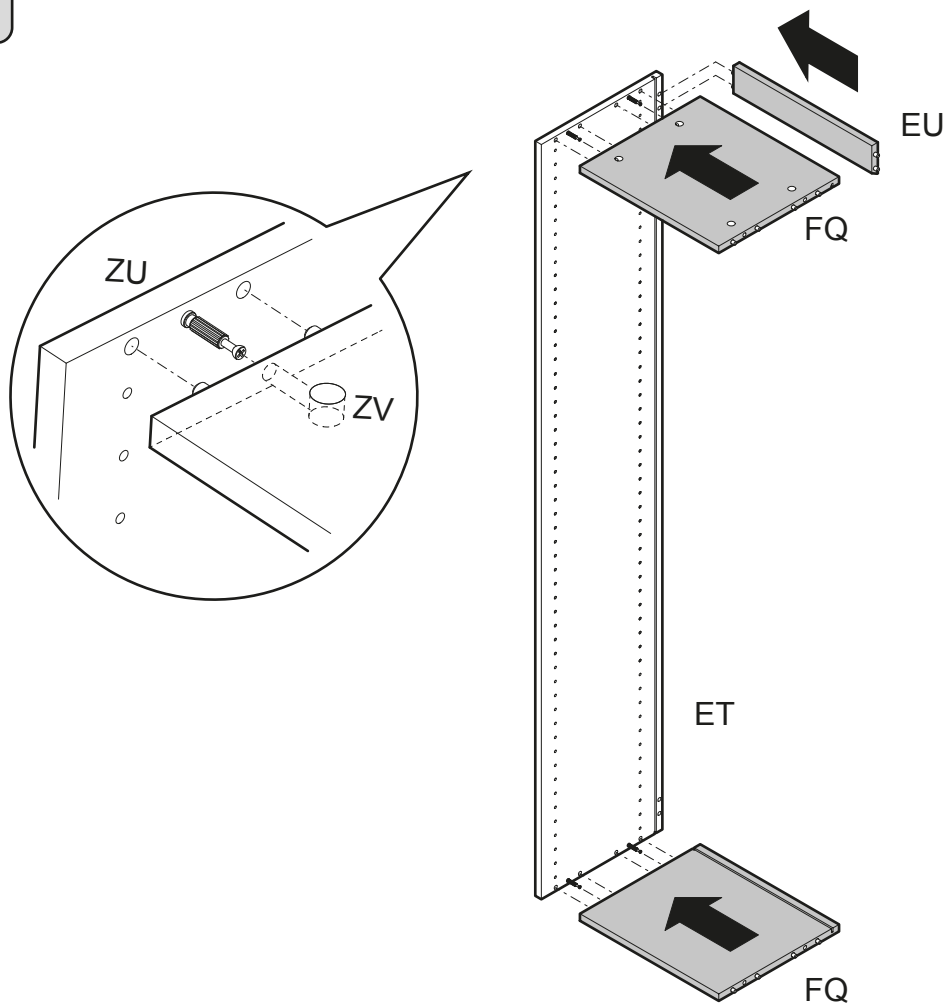
1



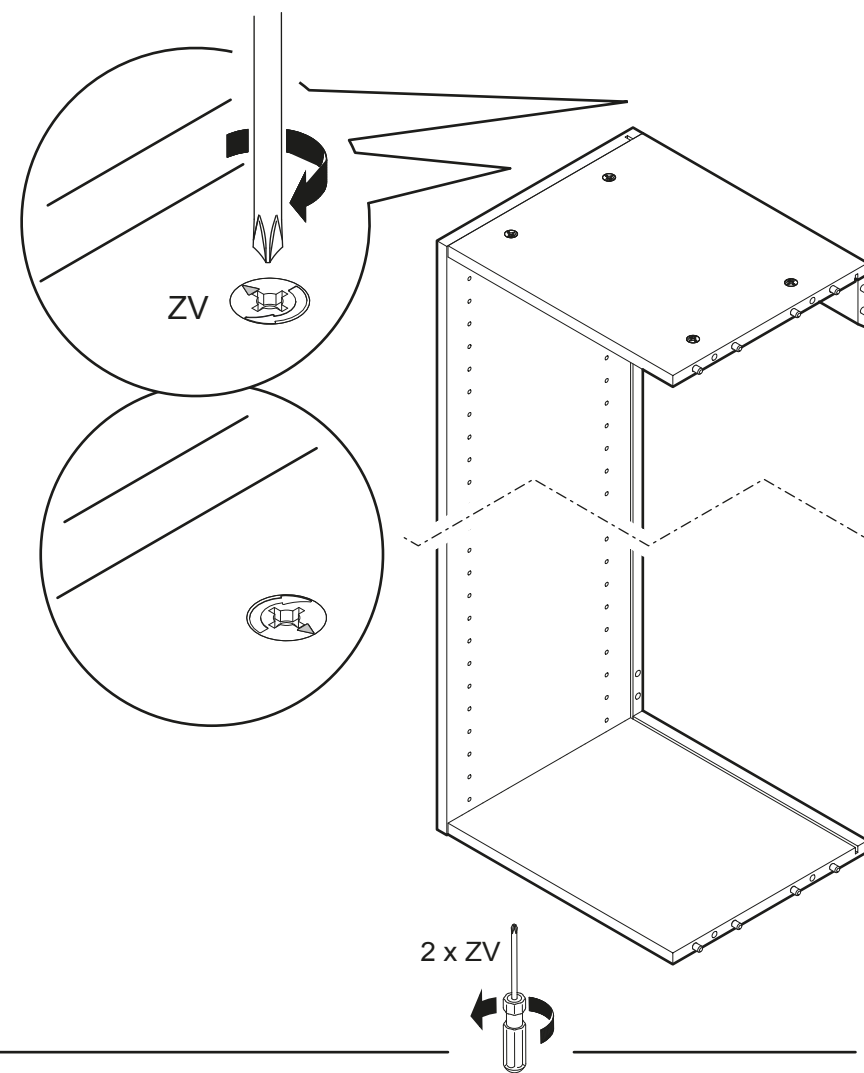
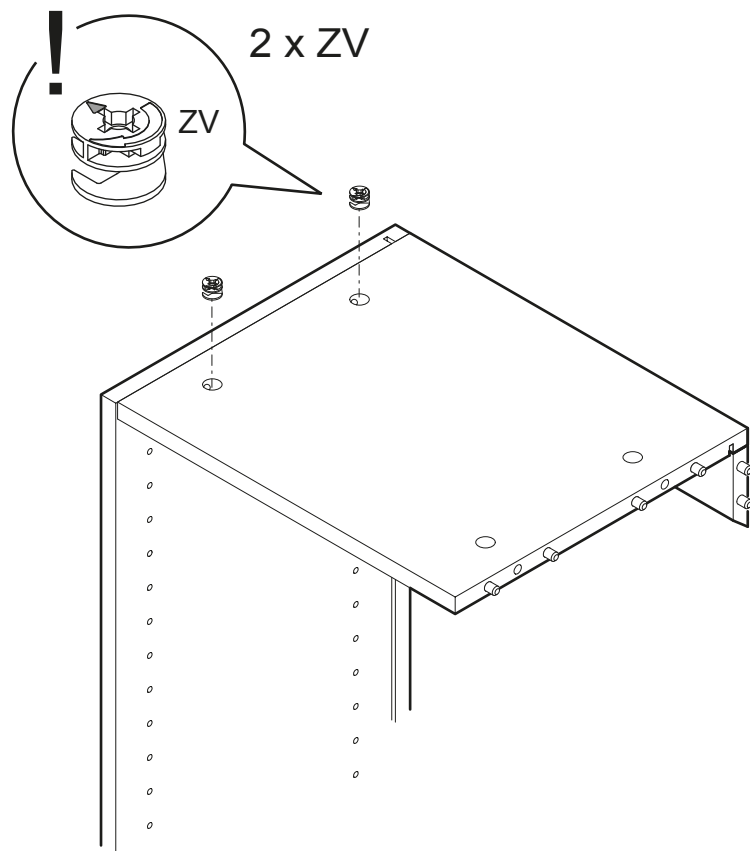
2



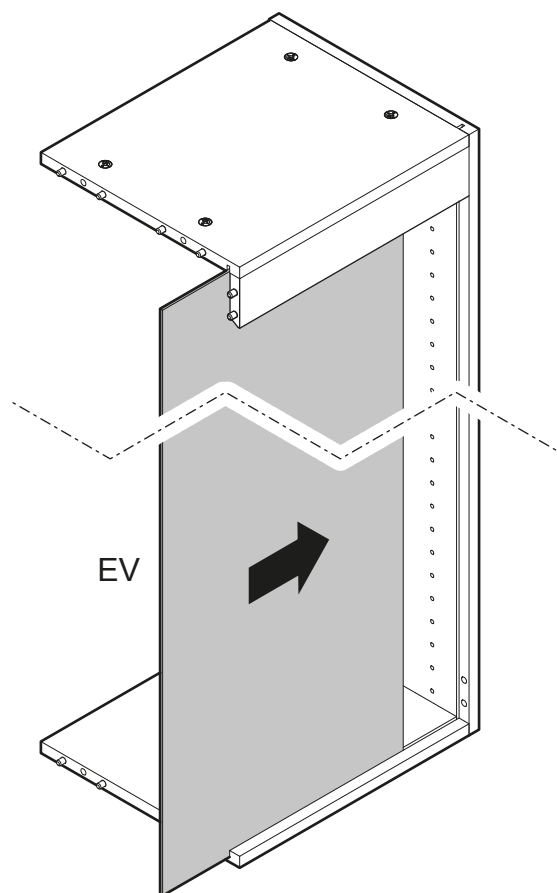
3



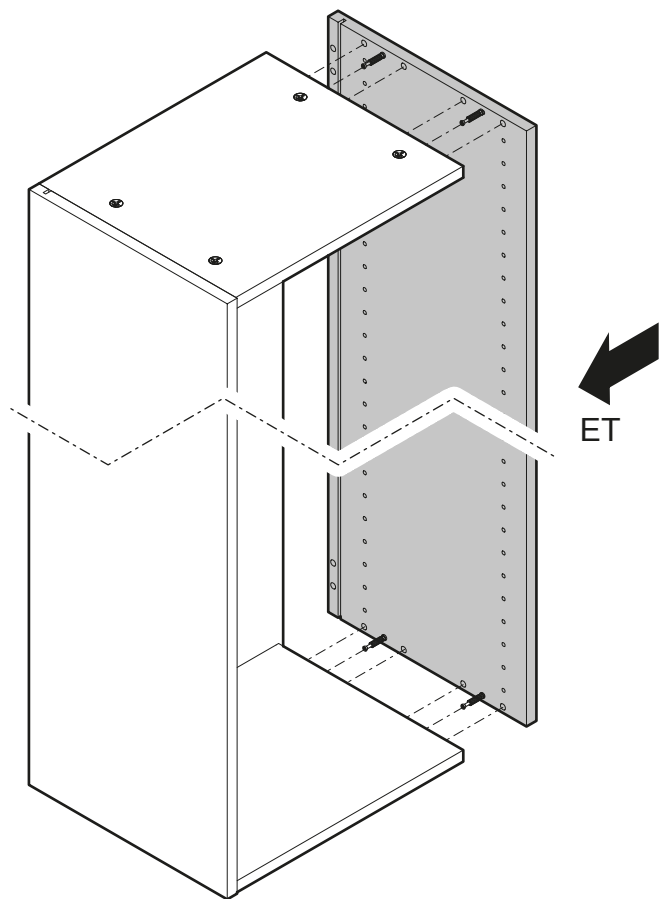
4



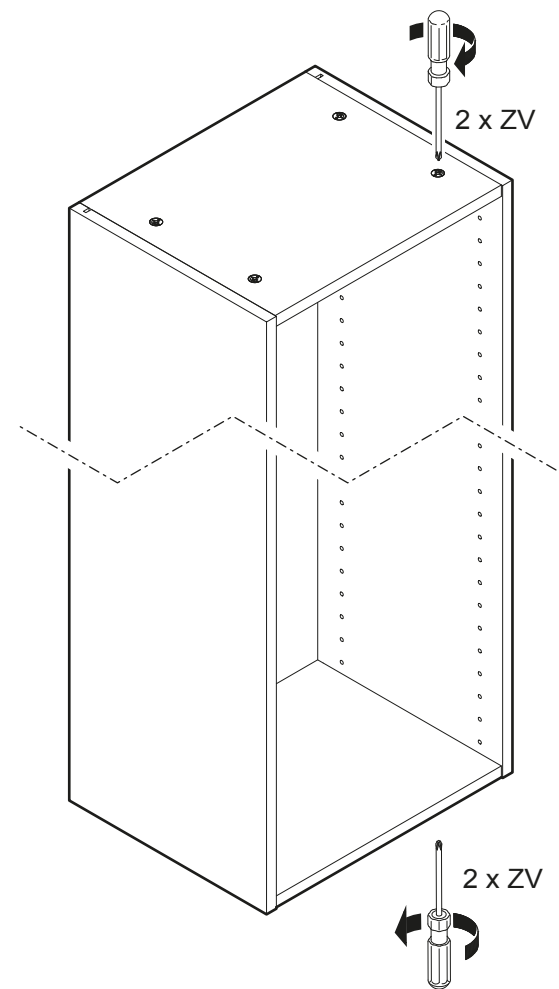
5



6

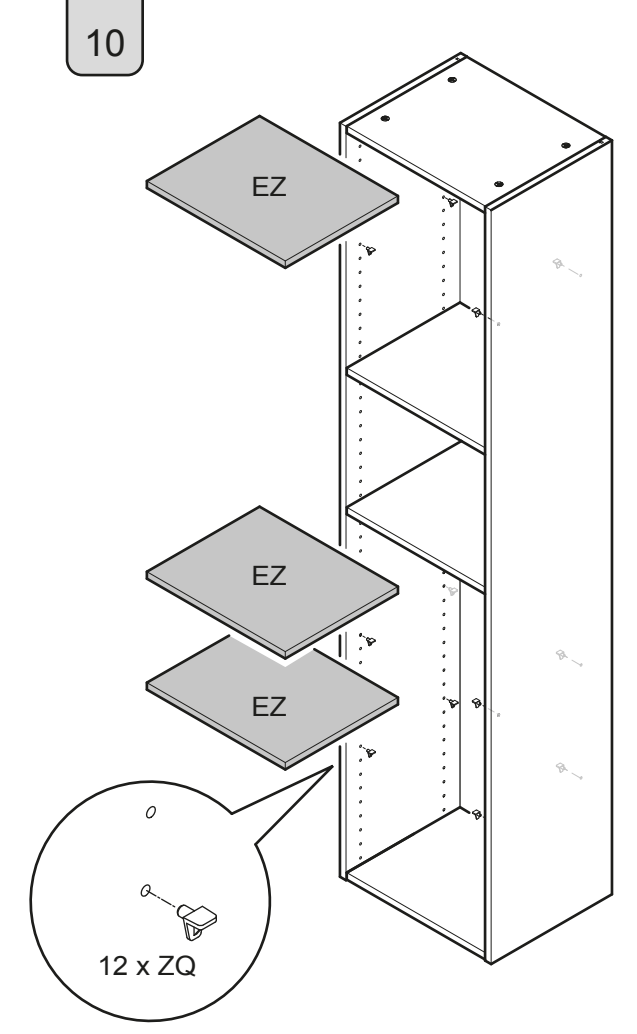
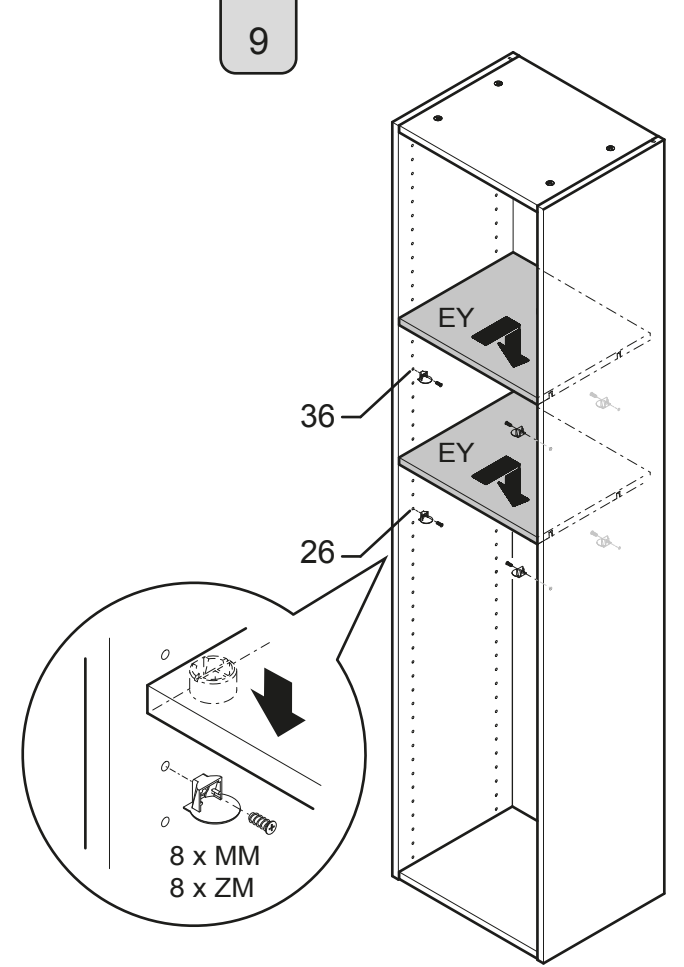
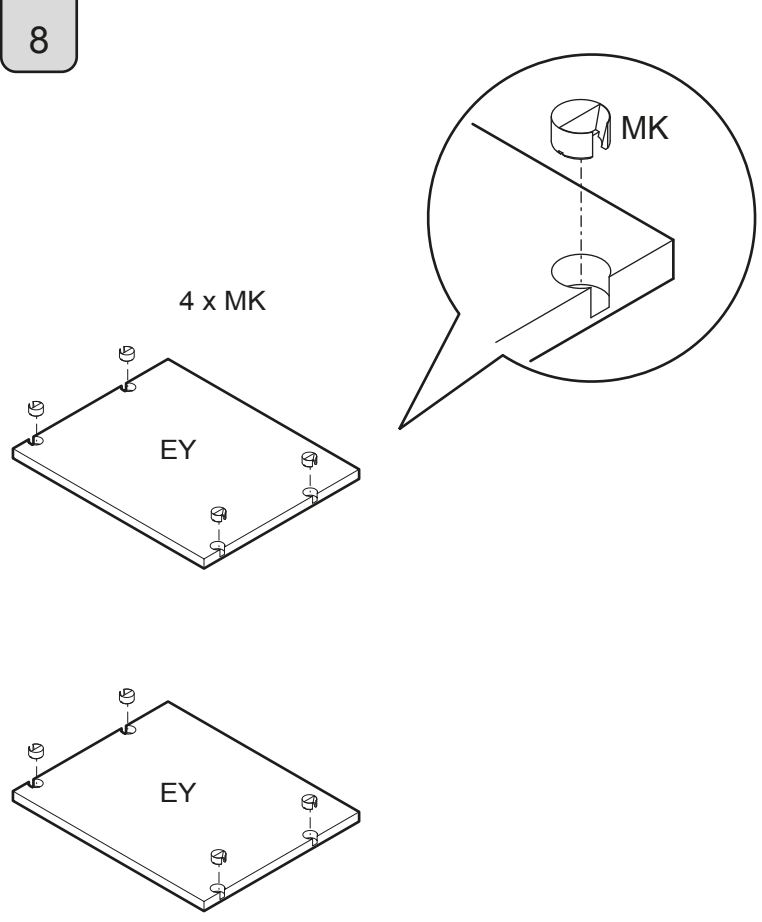


7

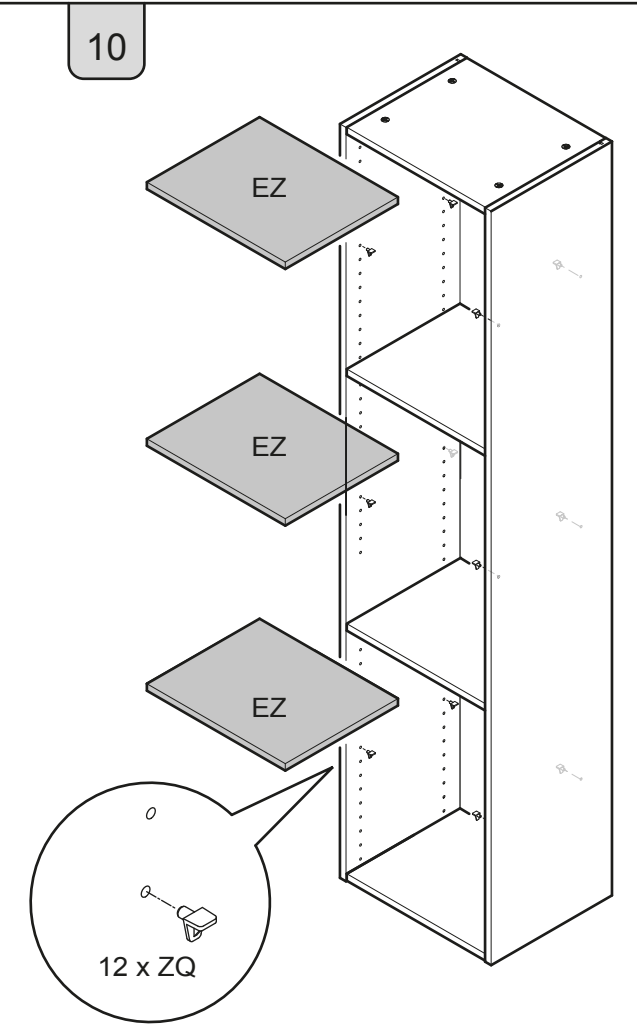
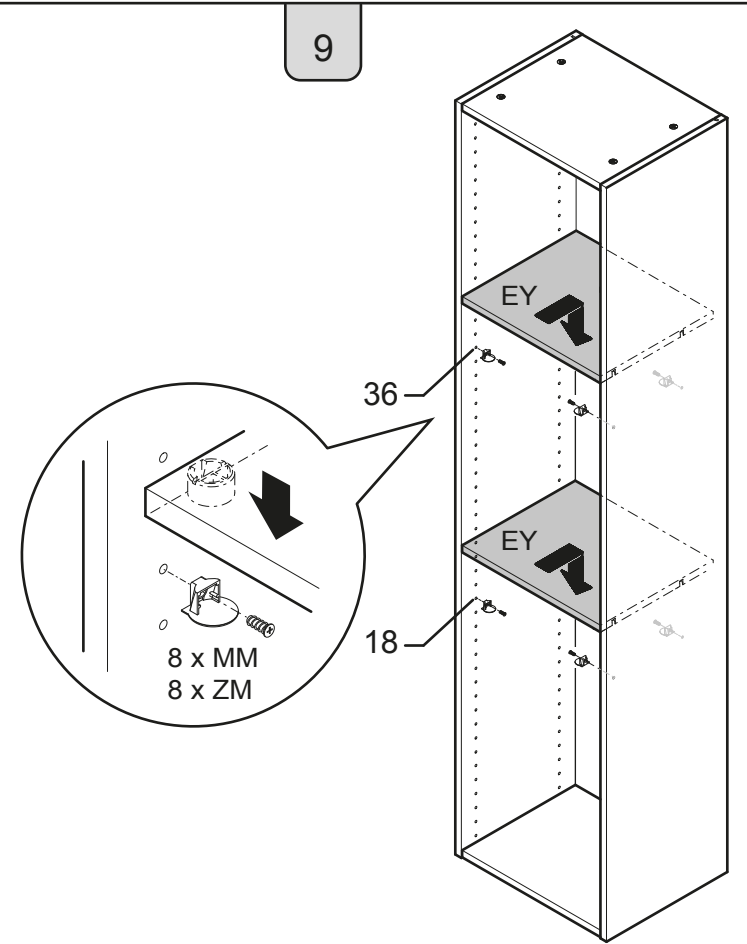
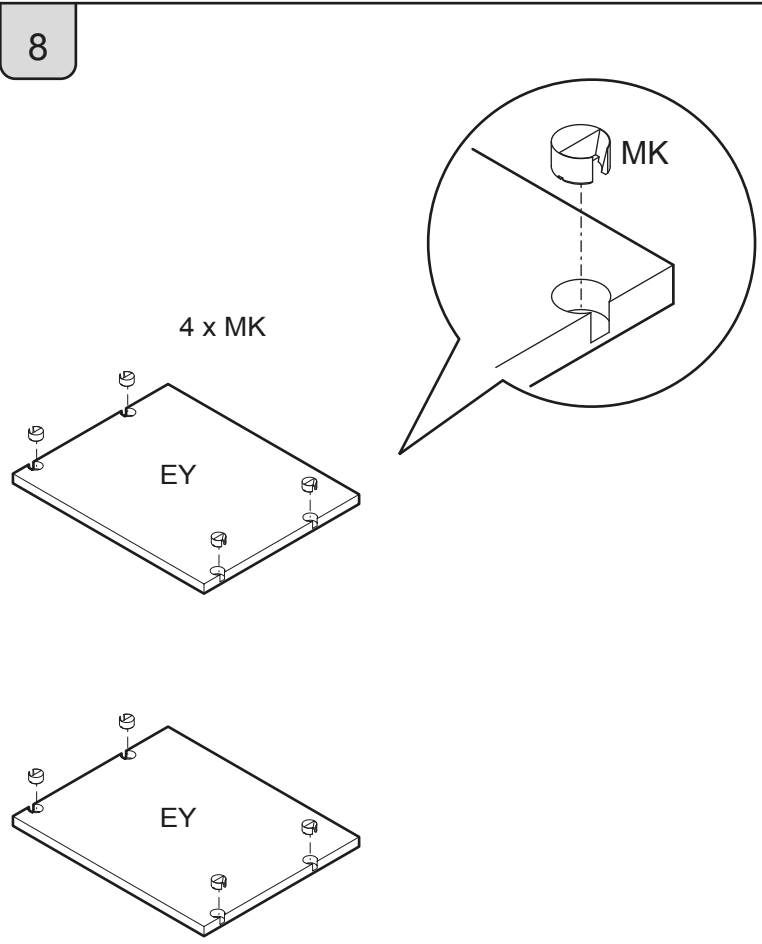




SBHS17230-  
SBHS17240-



SBH17230-  
SBH17233-  
SBH17240-  
SBH17243-



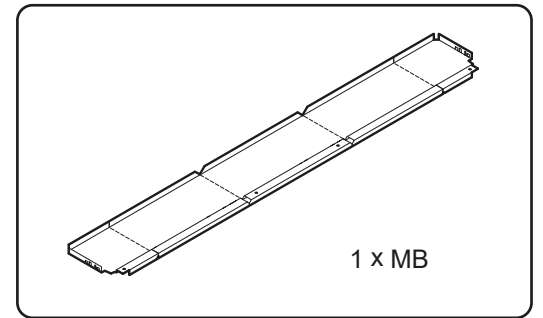
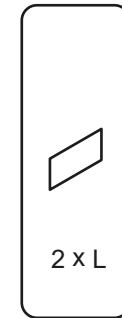
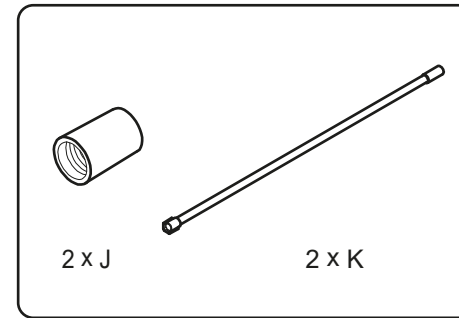
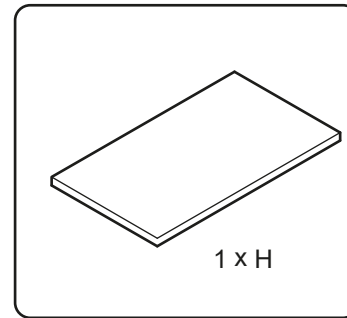
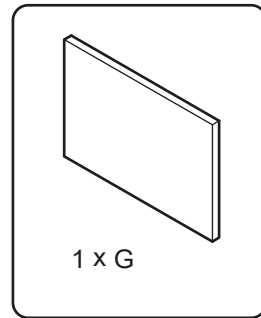
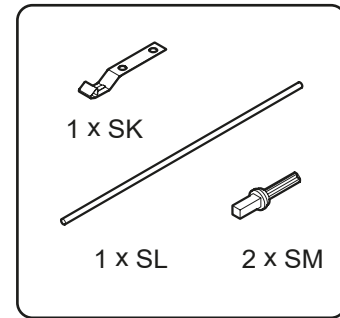
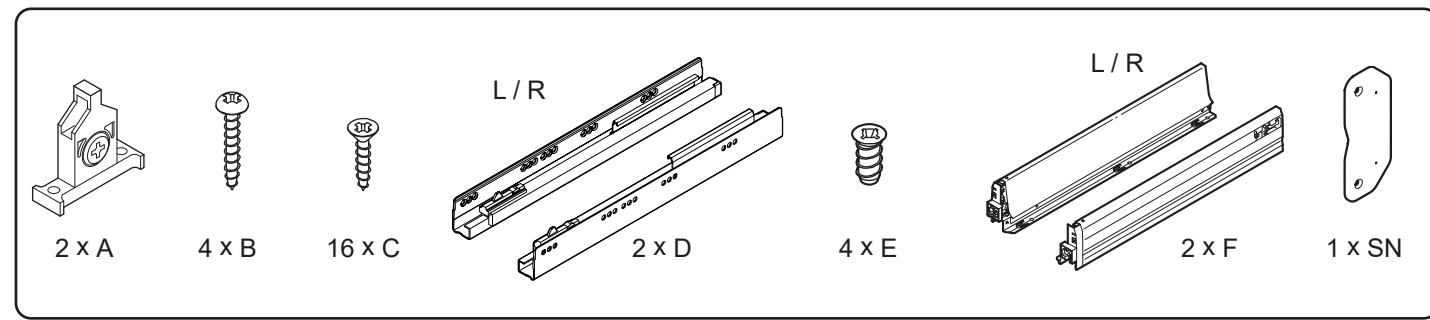
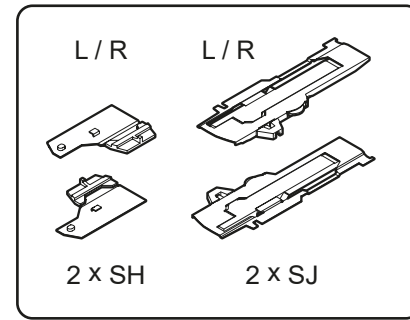
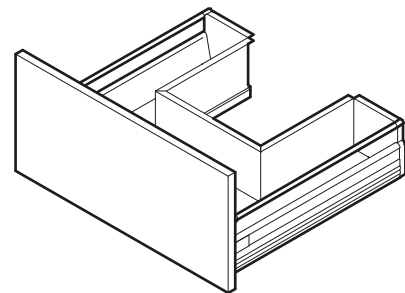
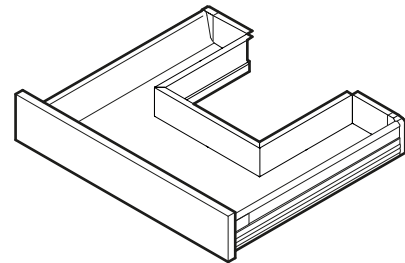
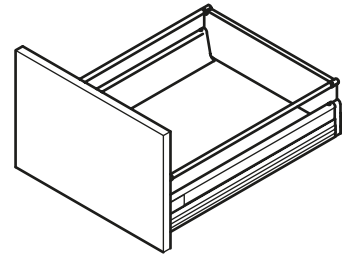
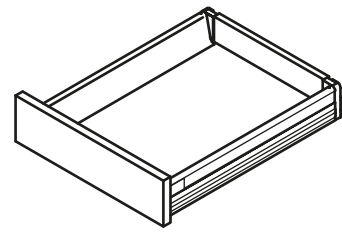
TMSTBL30  
 TMSTBL40  
 TMSTBL60  
 TMSTBL80  
 TMSTBL100

TMSTBH30  
 TMSTBH40  
 TMSTBH60  
 TMSTBH80  
 TMSTBH100  
 TMSTBH120

TMSTBVL60  
 TMSTBVL80  
 TMSTBVL100  
 TMSTBVL120

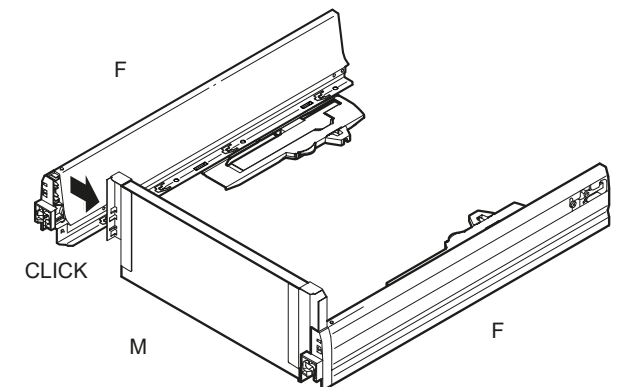
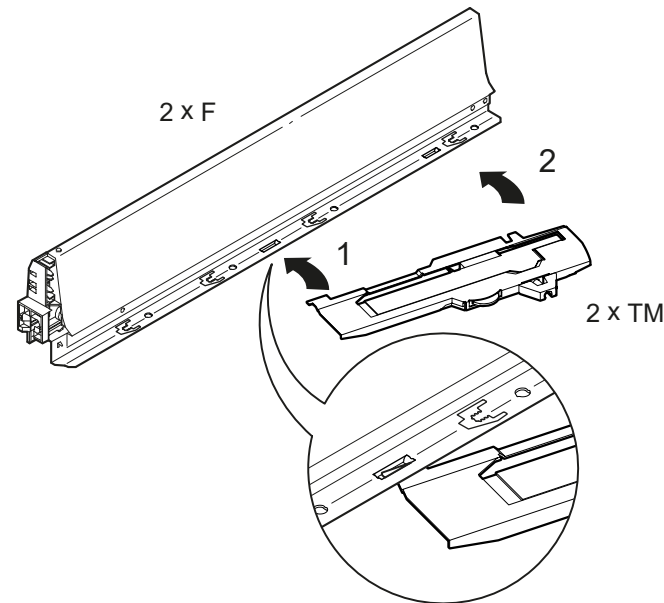
TMSTBVH60  
 TMSTBVH80  
 TMSTBVH100

SV042

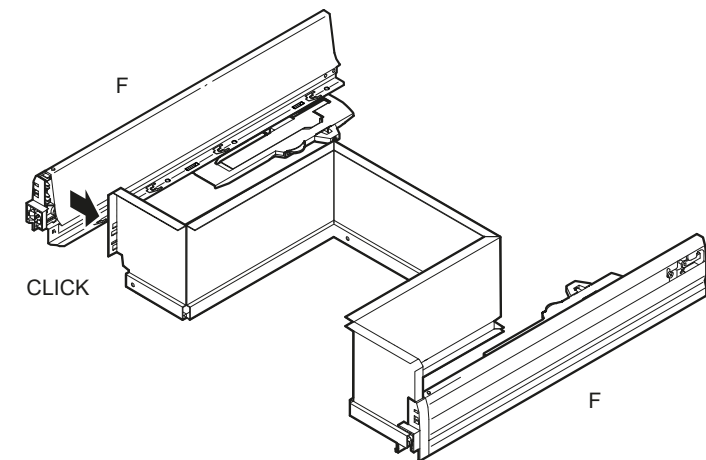
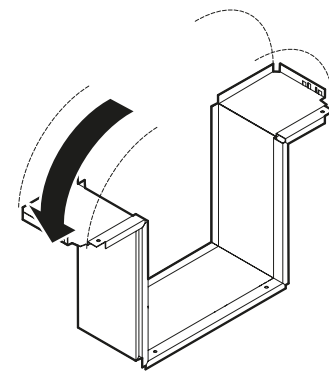
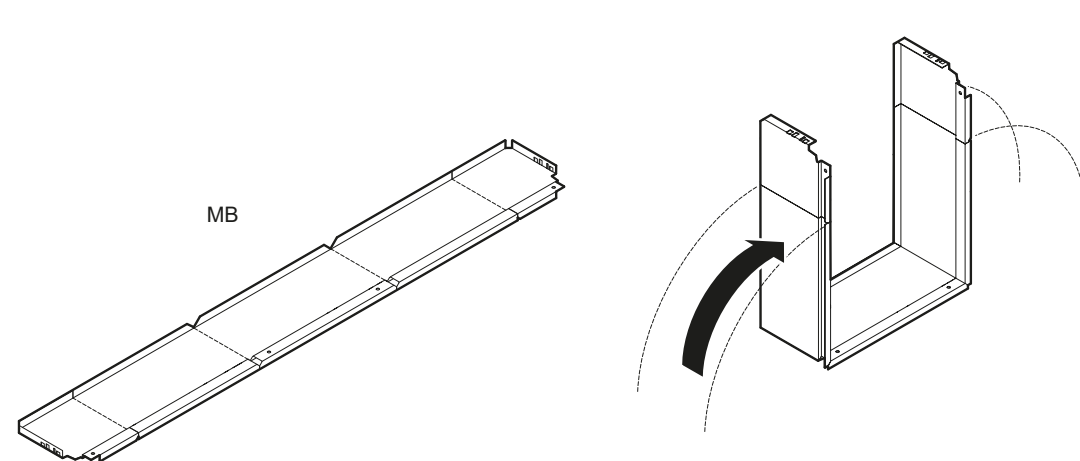


1

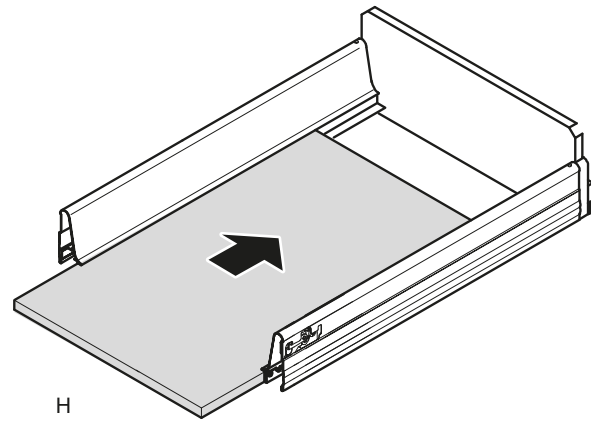
2a



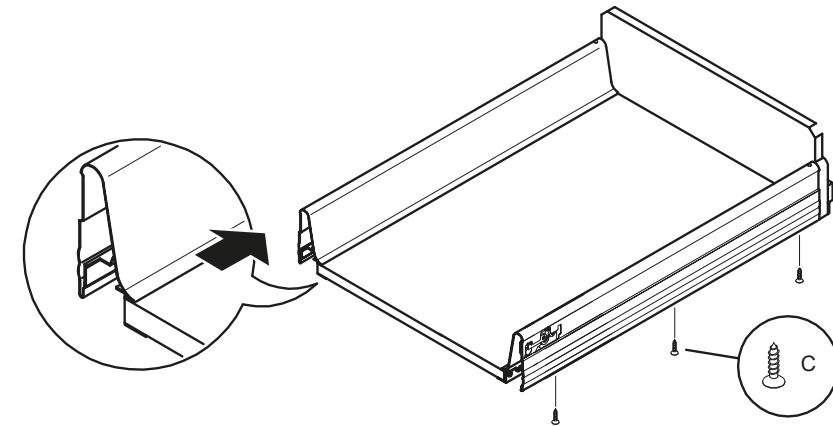
2b



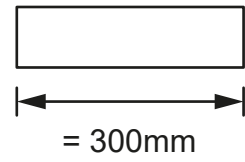
3



4



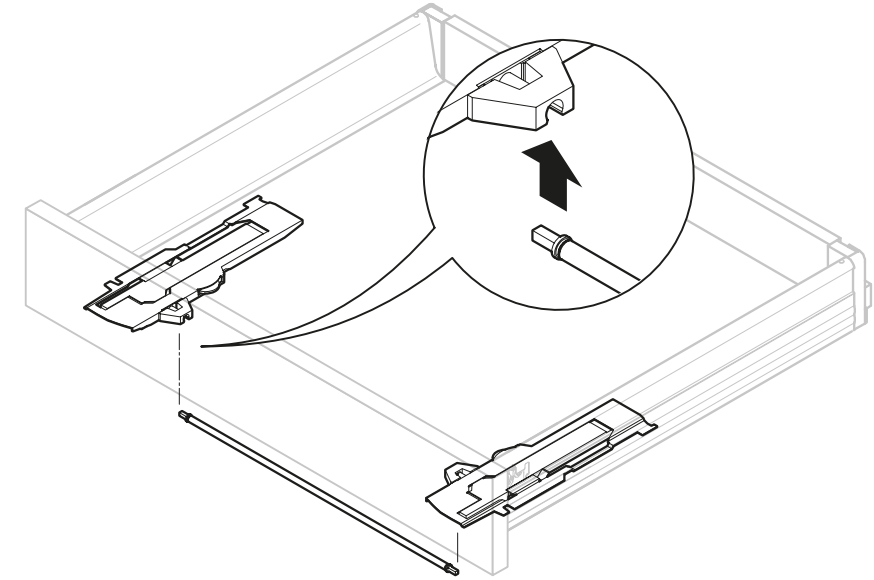
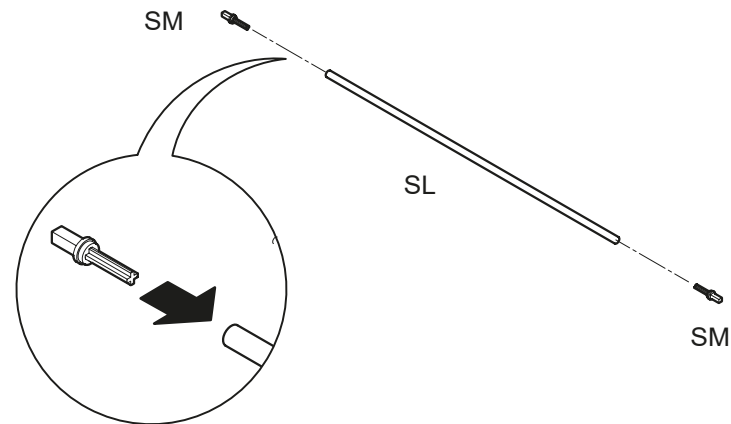
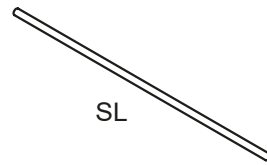
5a



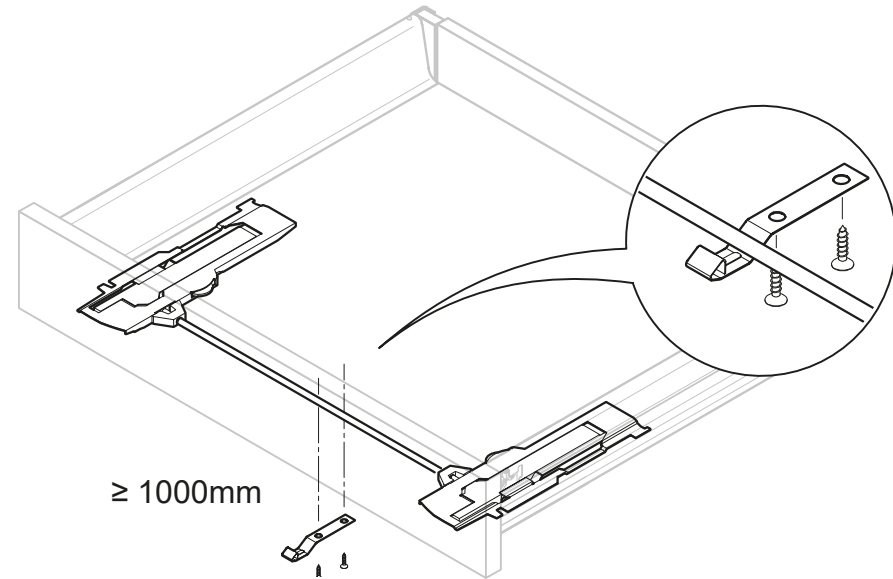
5b



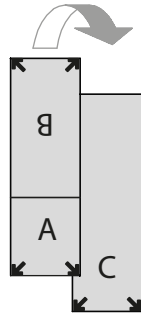
6



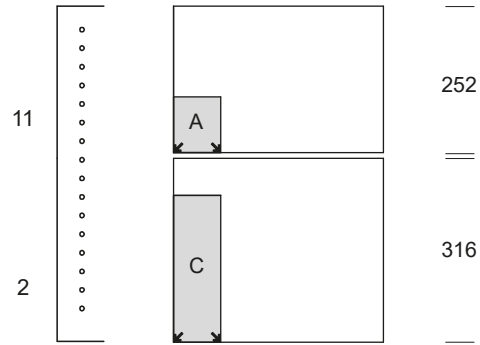
7



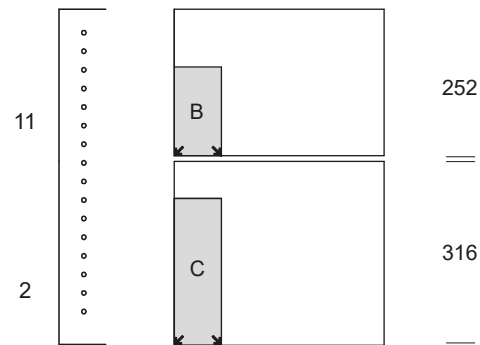
8



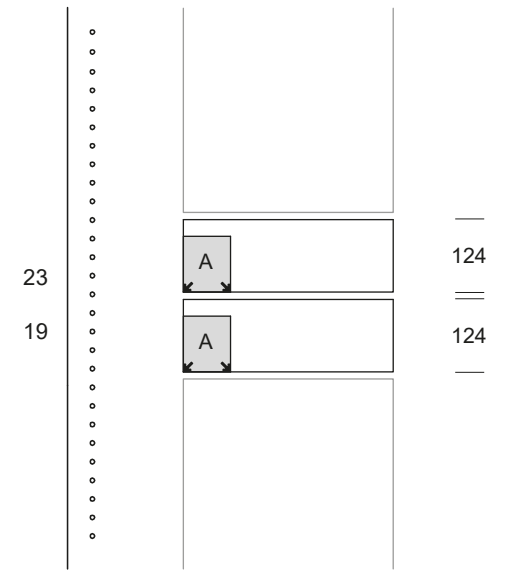
BVS5762-  
BVS5782-  
BVS57102-  
BVS57122-  
BSI5732-  
BSI5742-  
BSI5752-  
BSI5762-  
BSI5782-  
BSI57102-



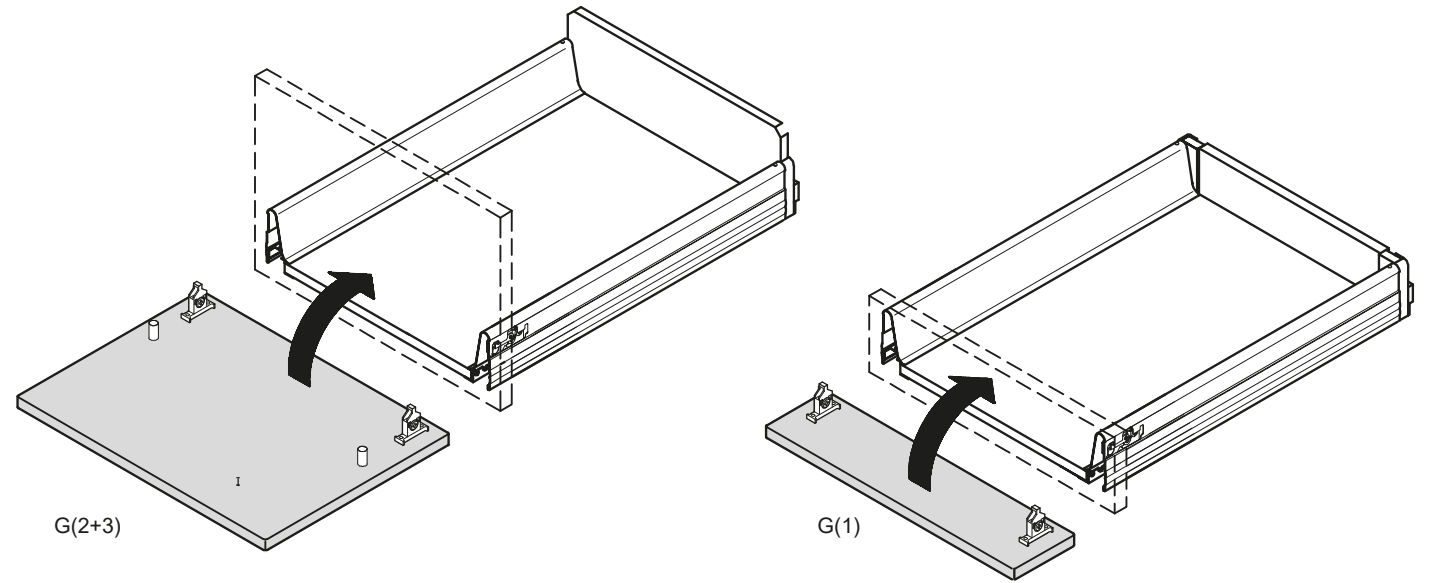
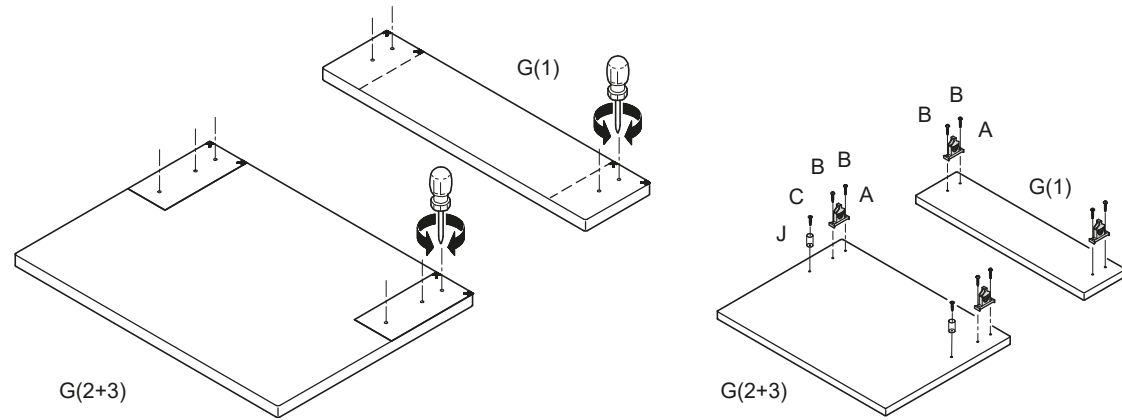
BS5732-  
BS5742-  
BS5752-  
BS5762-  
BS5782-  
BS57102-  
BVS7062-  
BVS7082-  
BVS70102-



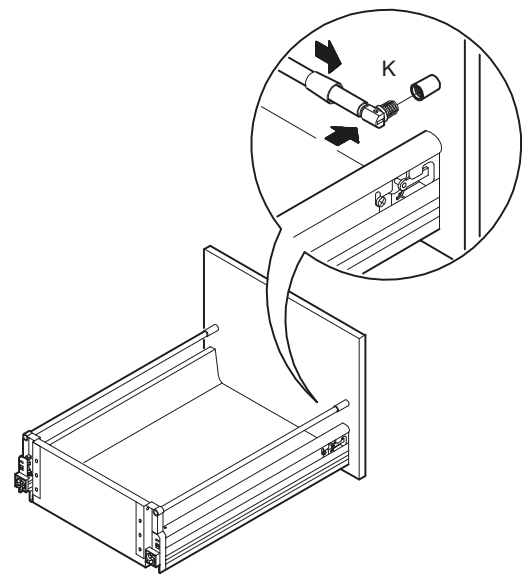
BHS17234-  
BHS17244-  
SBHS17230-  
SBHS17240-



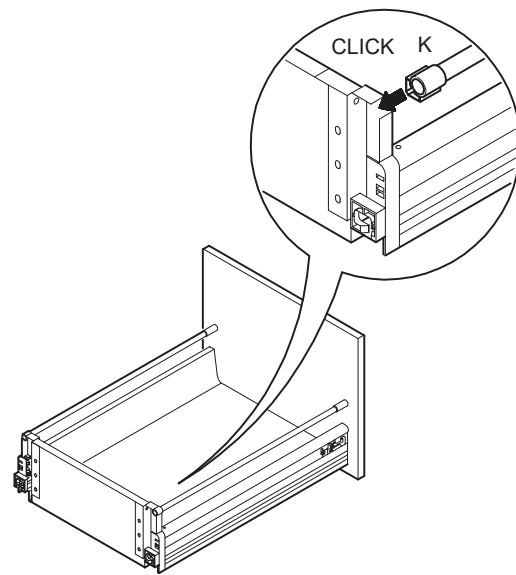
9



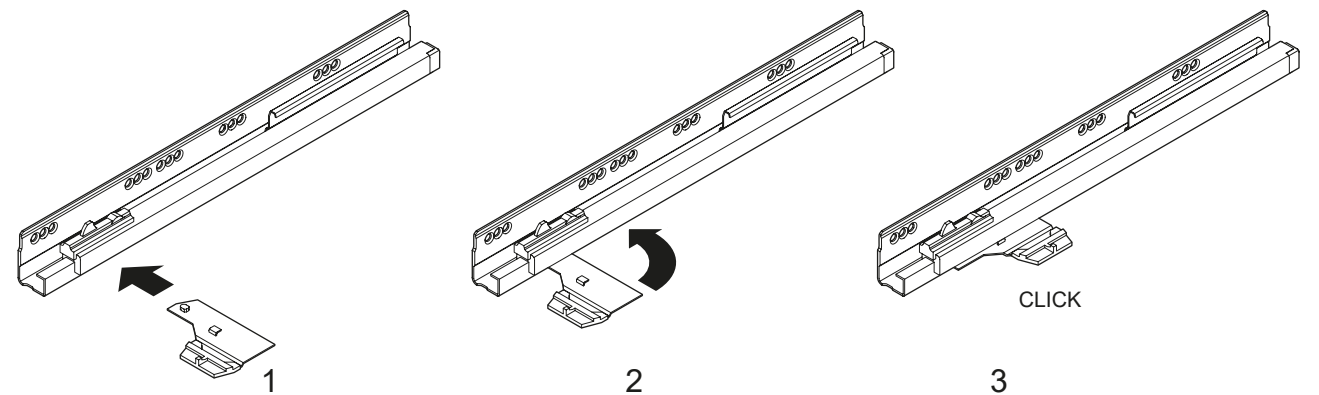
11



12

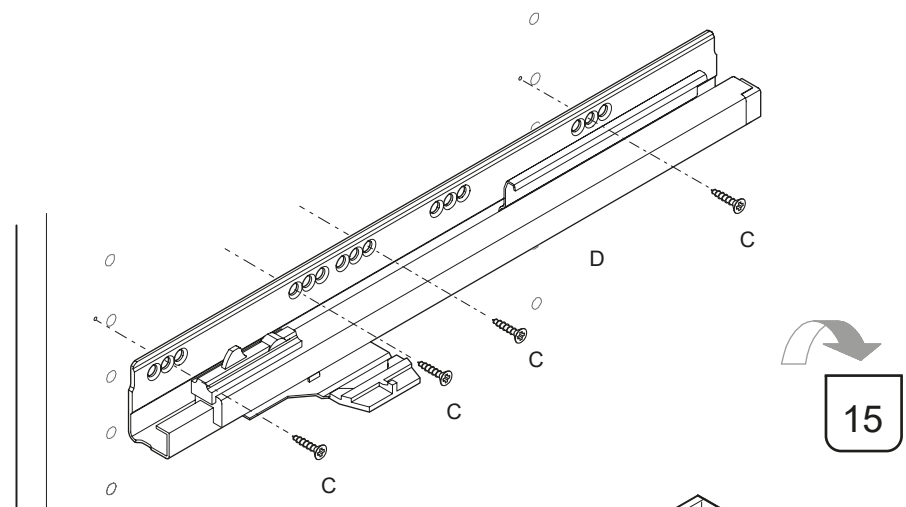
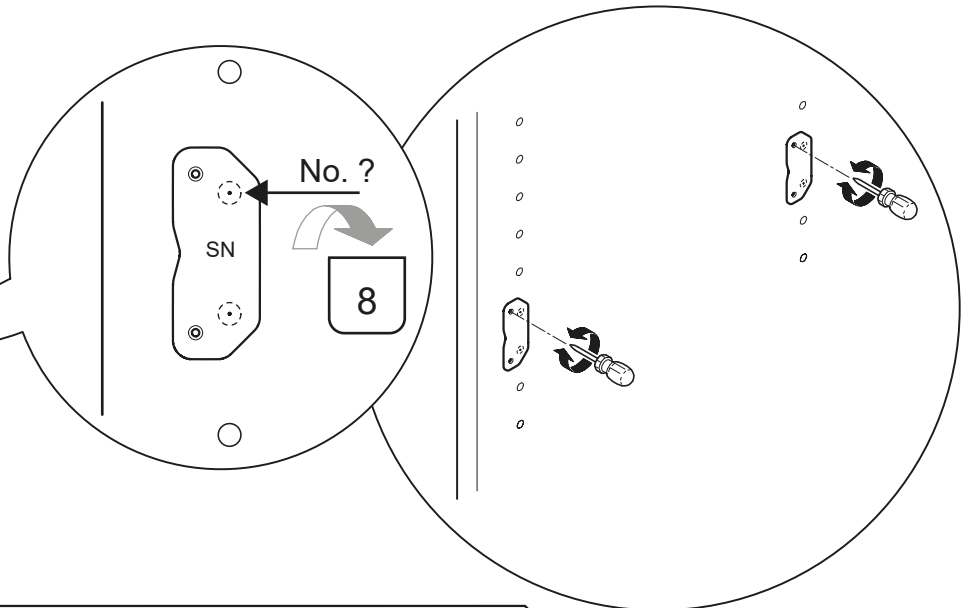
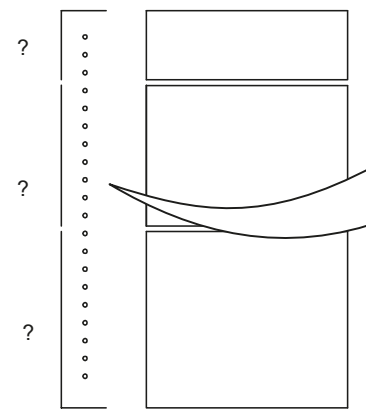
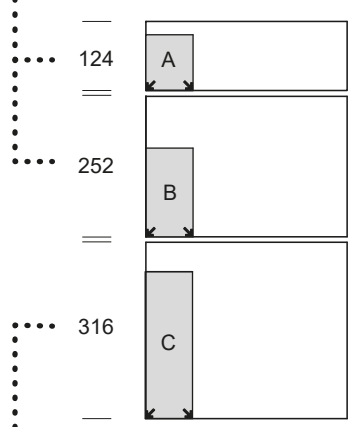


13

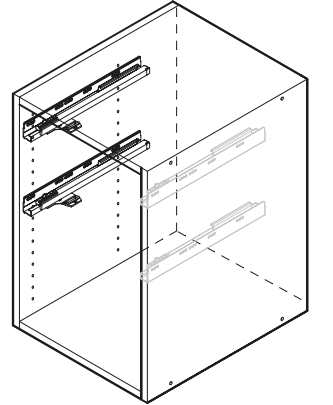
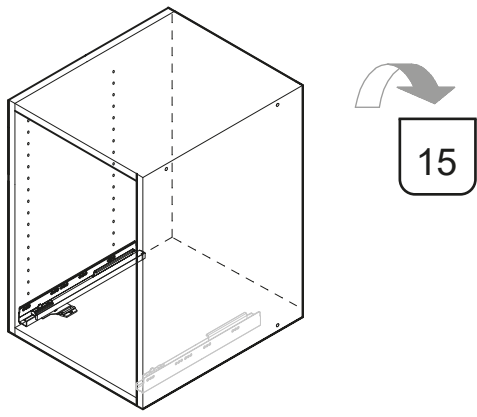
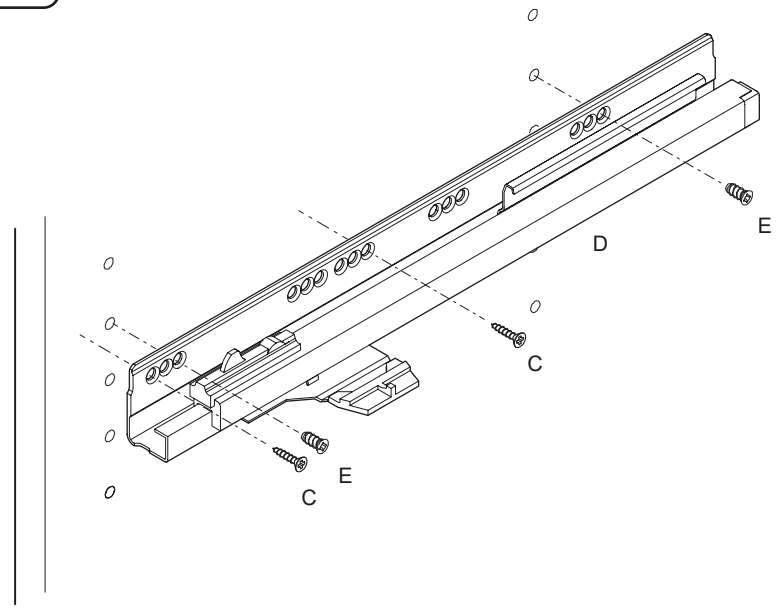


14

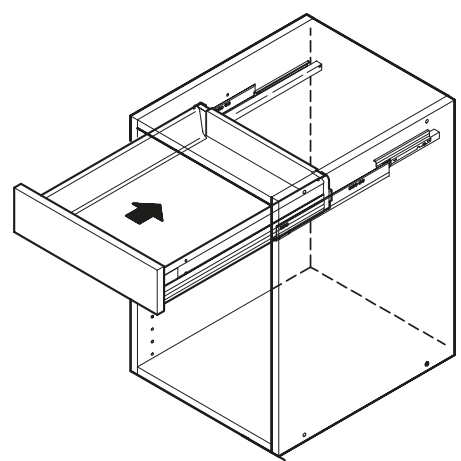
14a



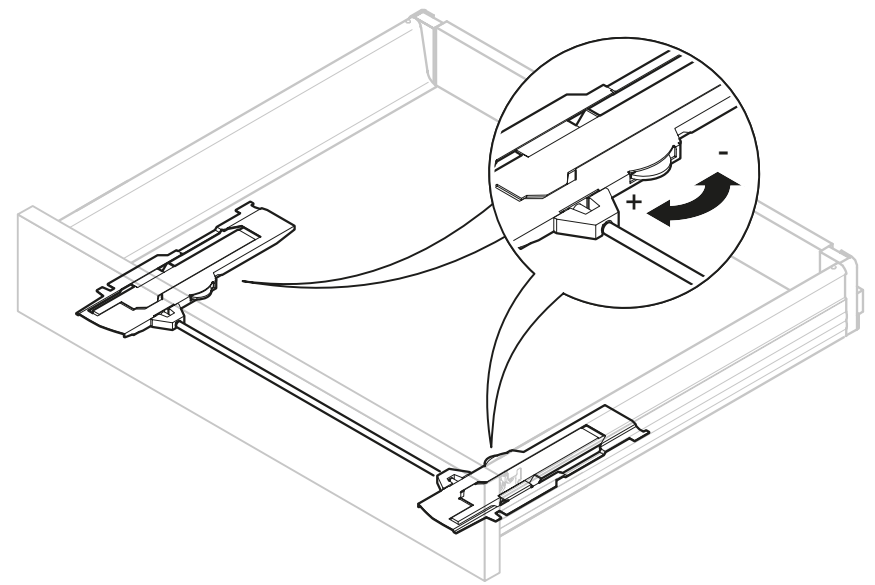
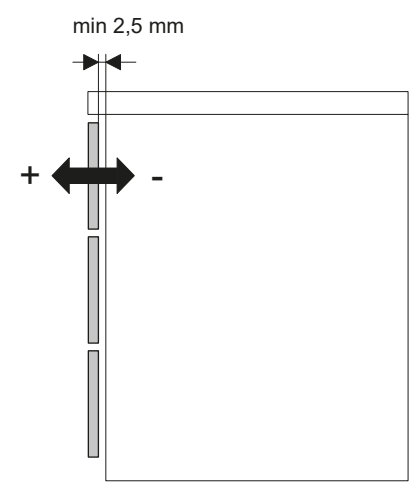
14b



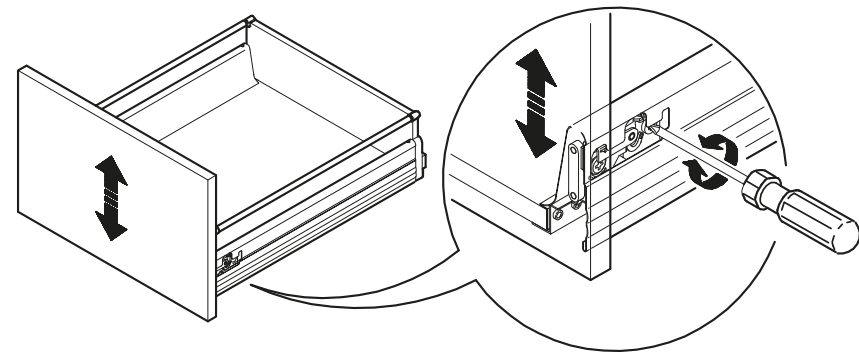
15



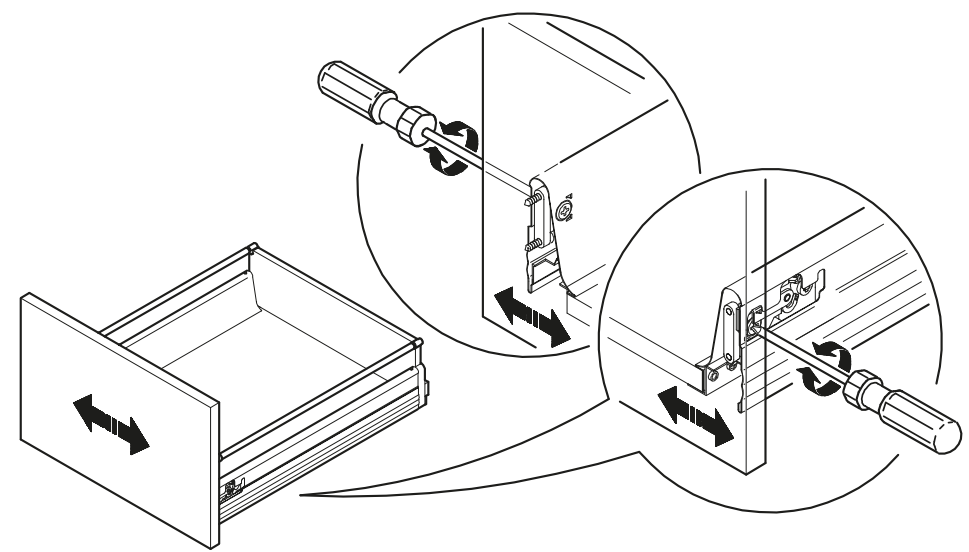
16



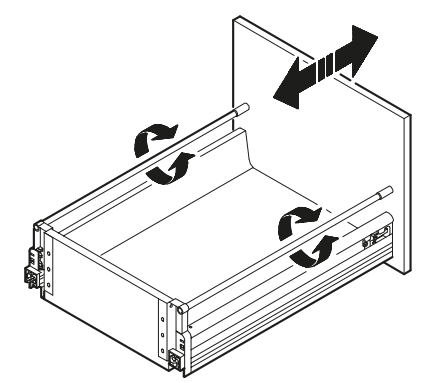
17



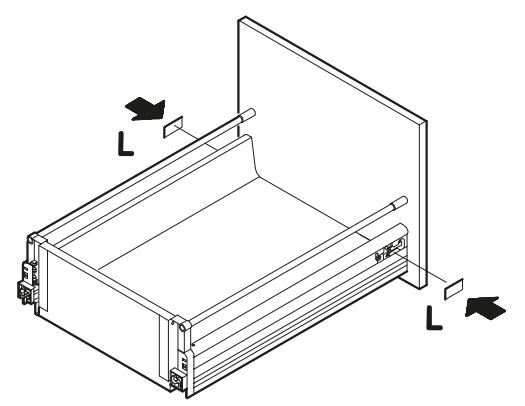
18



19



20





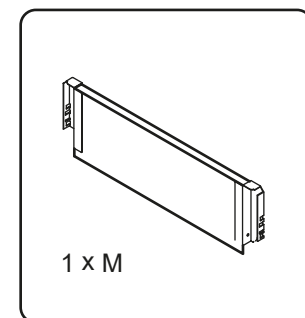
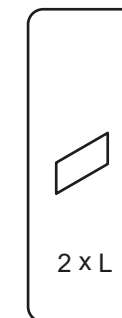
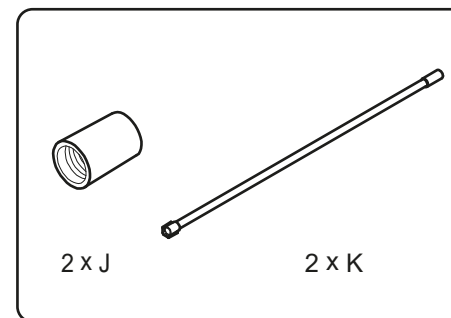
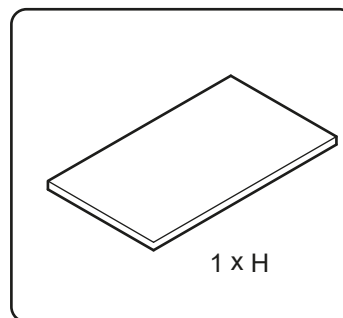
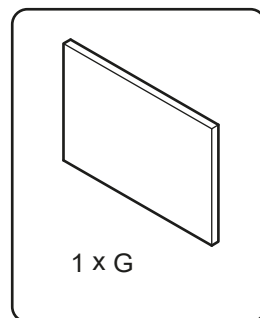
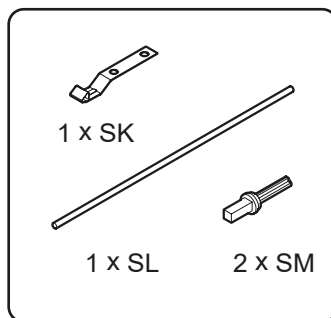
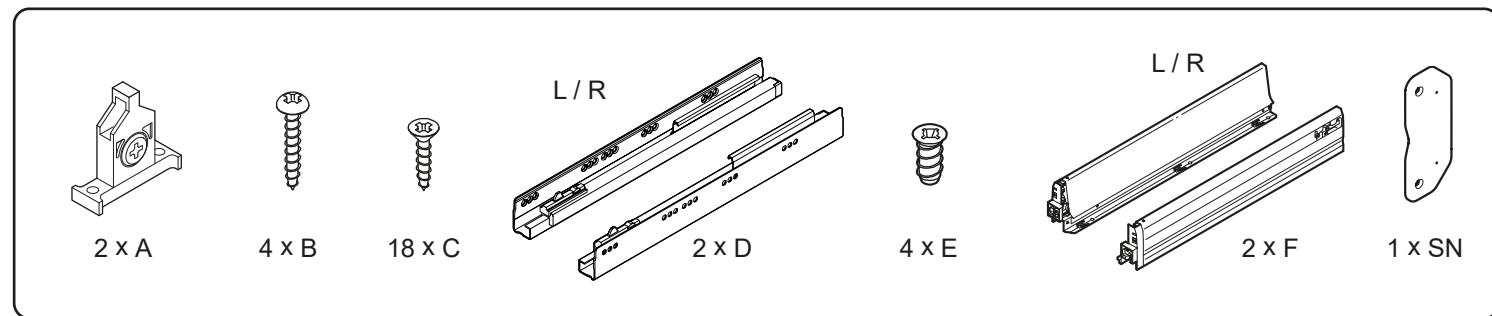
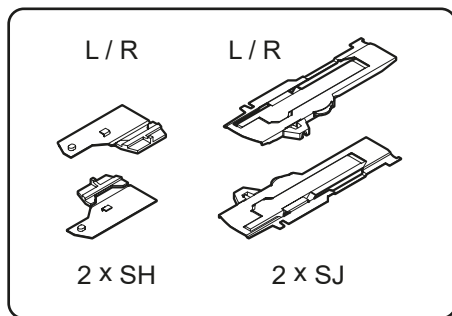
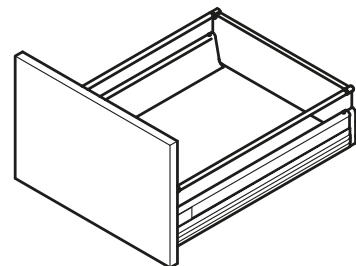
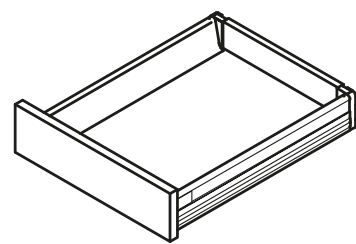
TMSTL24  
 TMSTL25  
 TMSTL30  
 TMSTL40  
 TMSTL50  
 TMSTL60  
 TMSTL80  
 TMSTL100

TMSTVL60  
 TMSTVL80  
 TMSTVL100

TMSTH30  
 TMSTH40  
 TMSTH50  
 TMSTH60  
 TMSTH80  
 TMSTH100

TMSTVH60  
 TMSTVH80  
 TMSTVH100

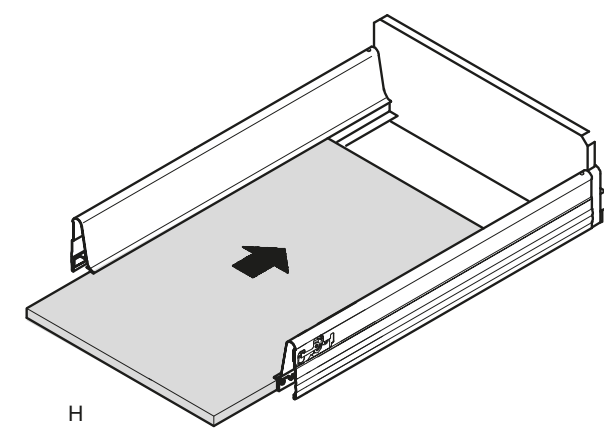
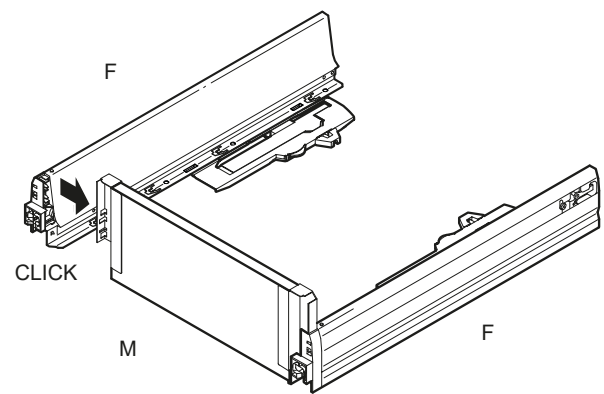
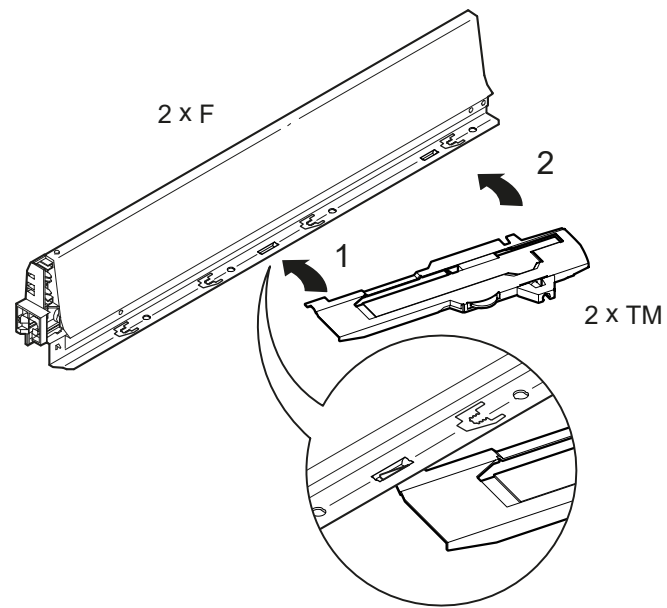
SV043



1

2

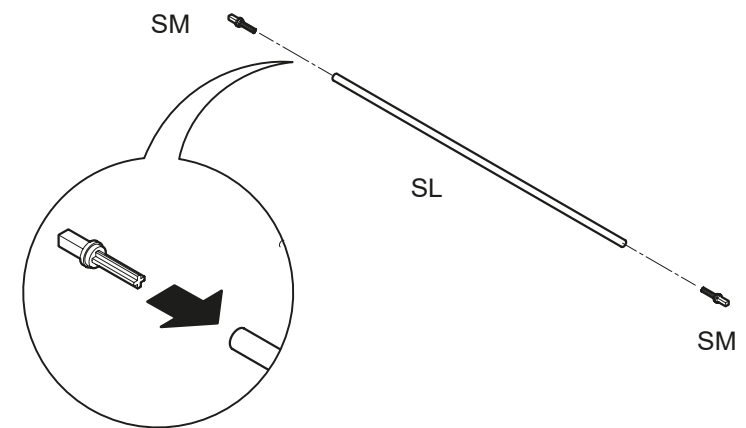
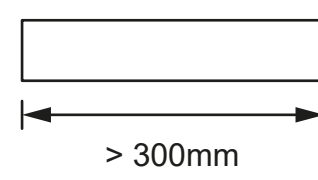
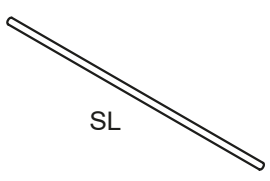
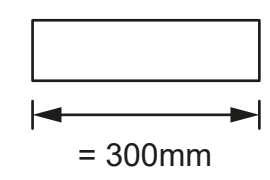
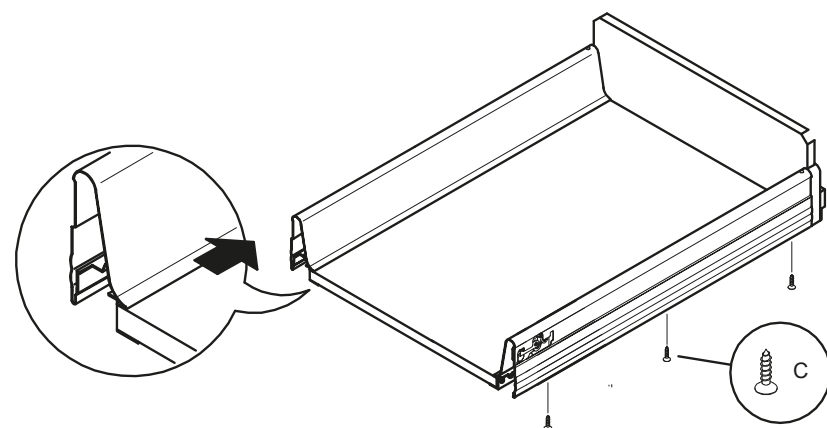
3



4

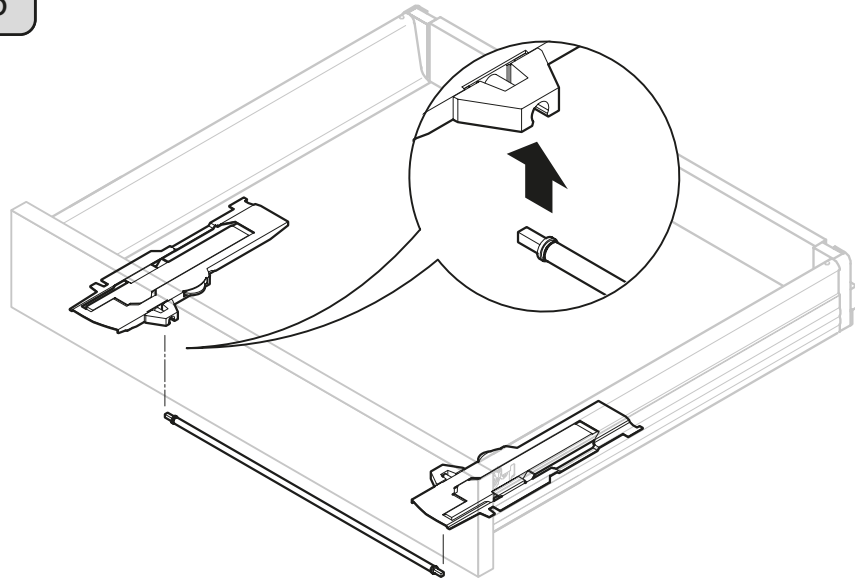
5a

5b

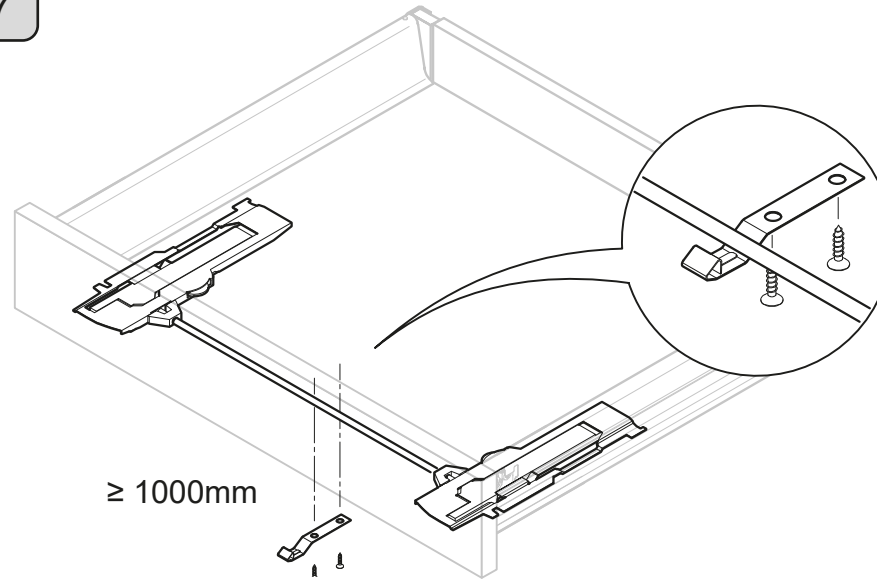




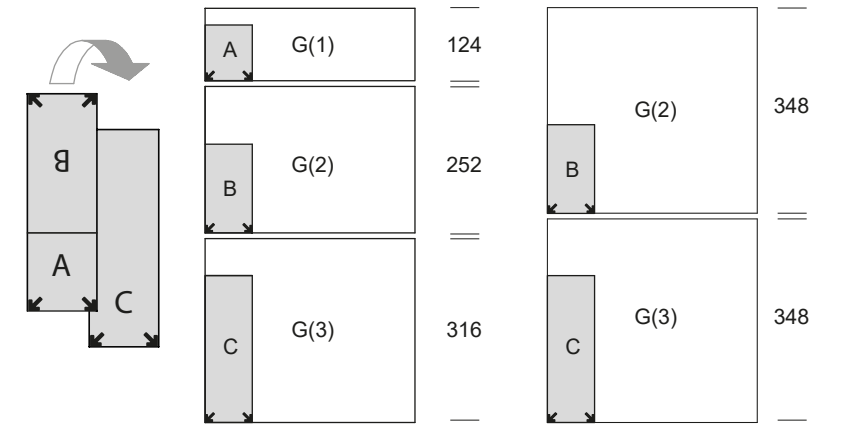
6



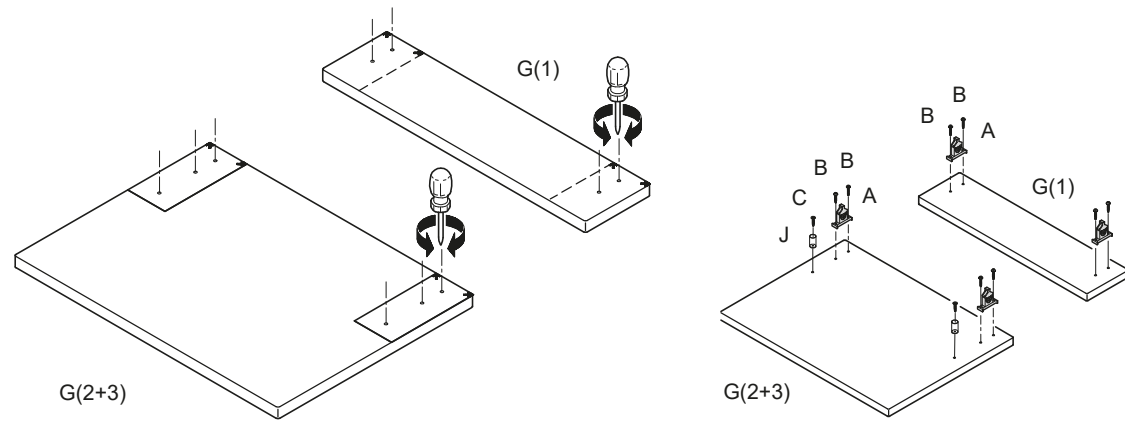
7



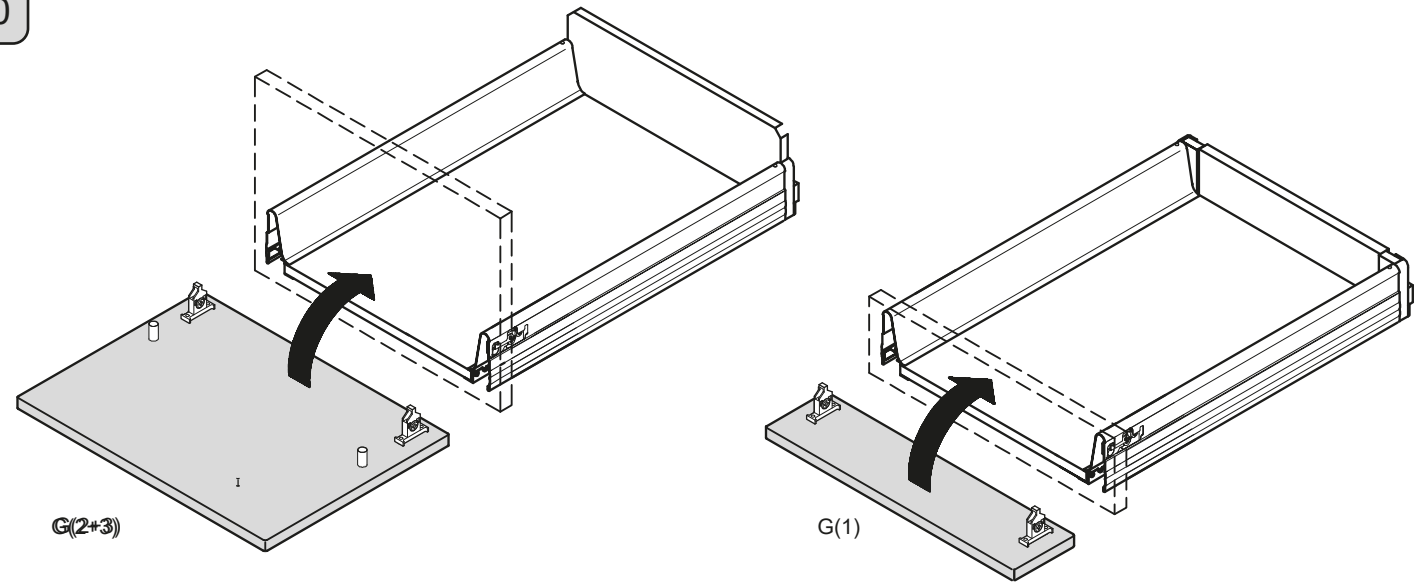
8



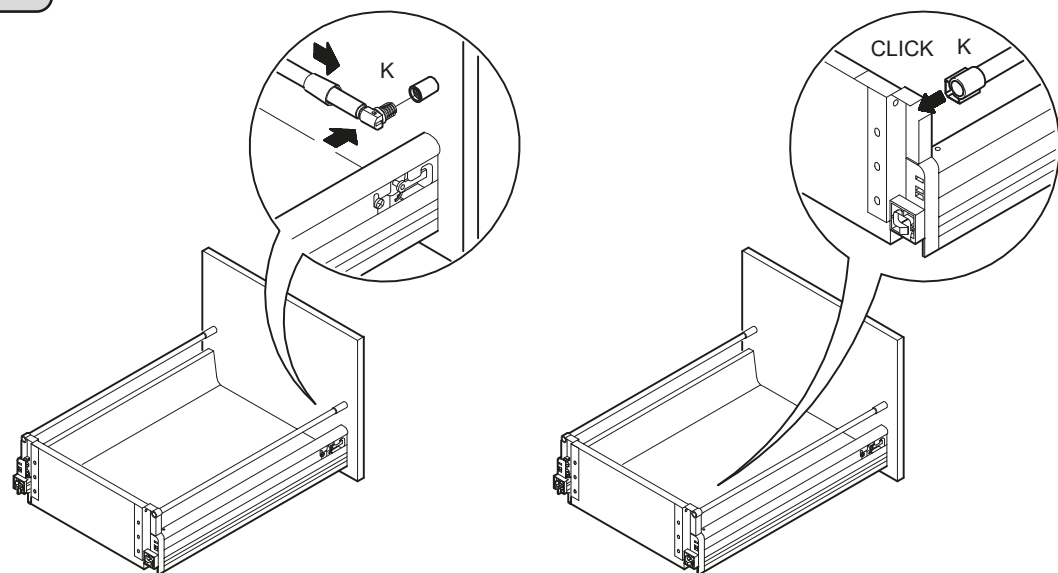
9



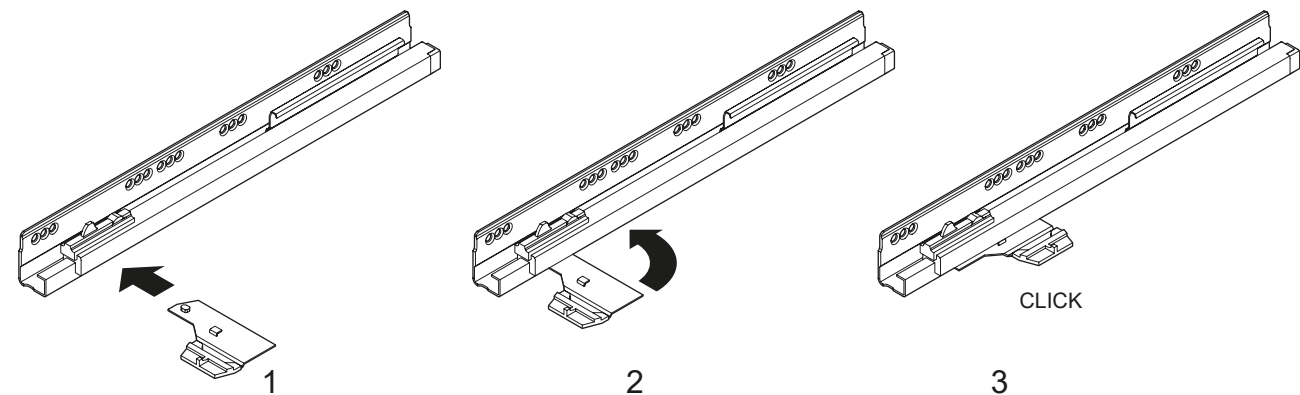
10

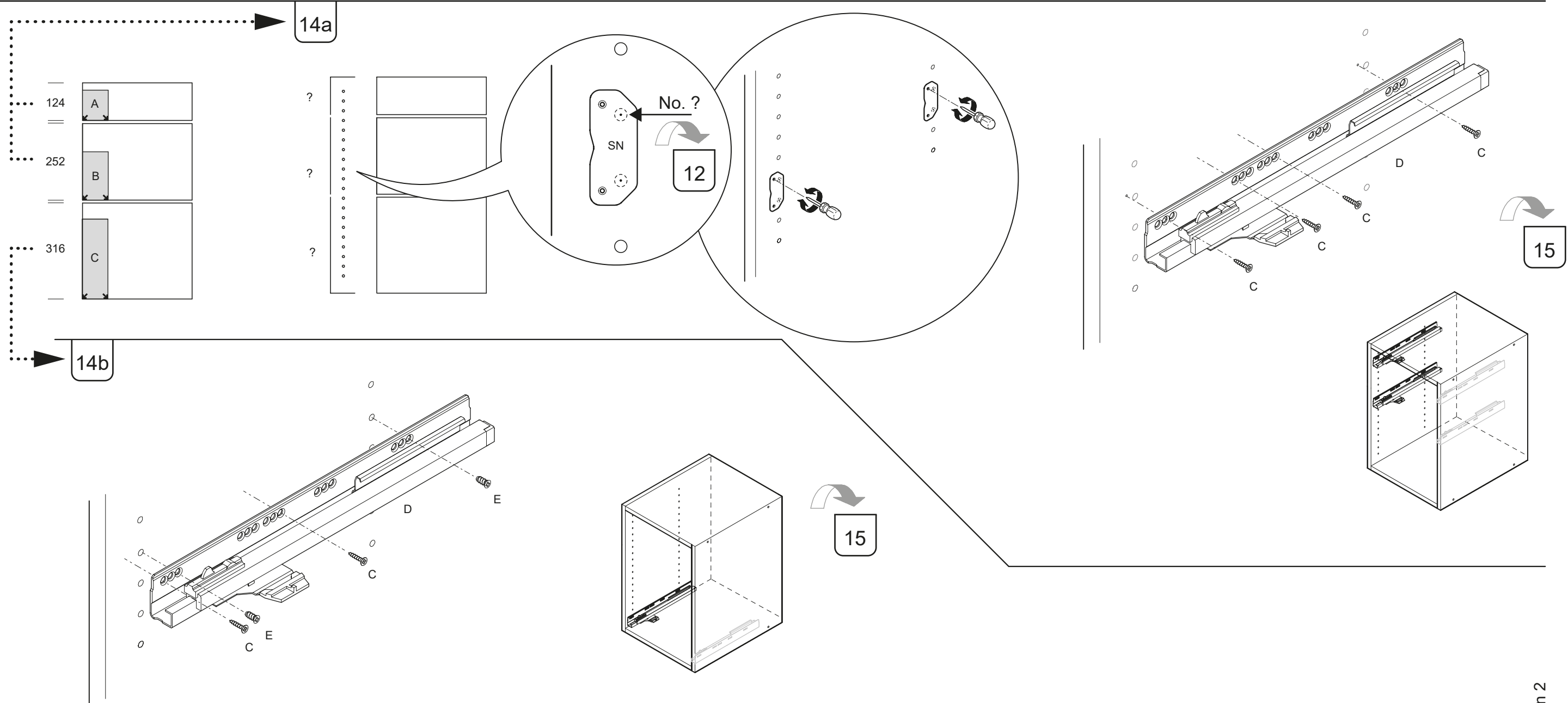
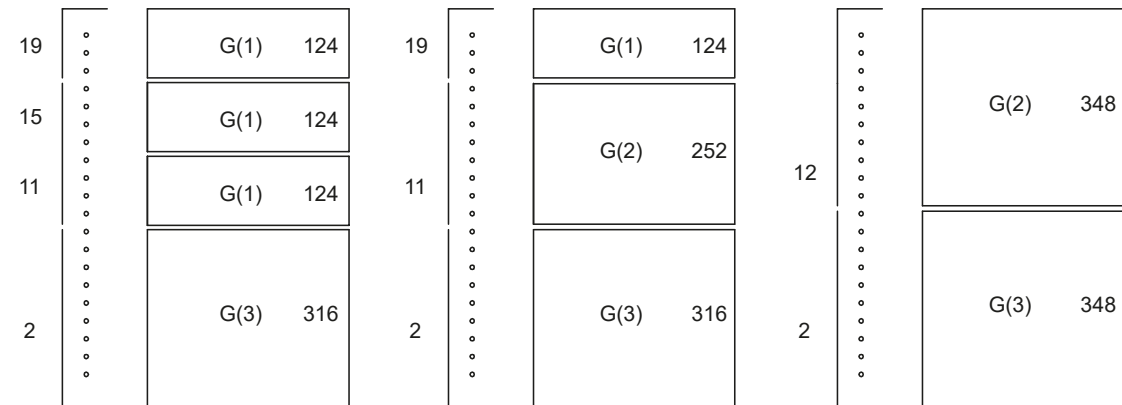


11

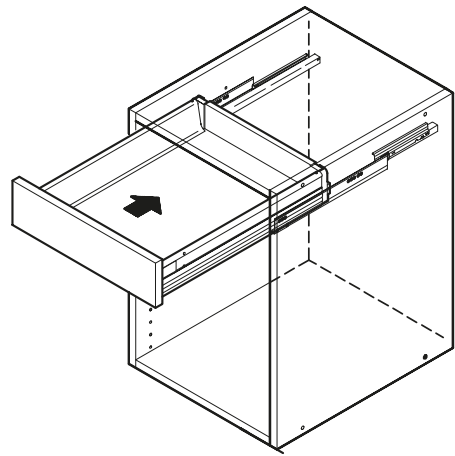


12

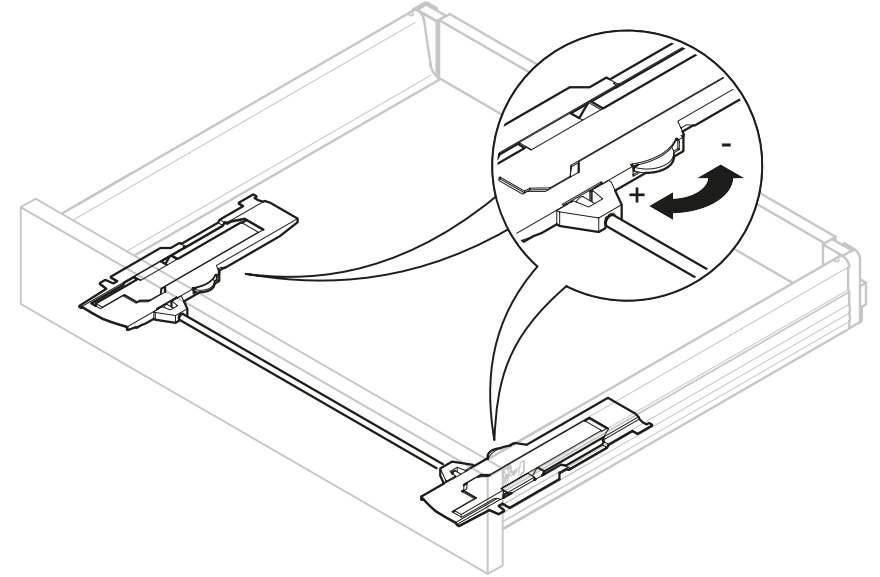
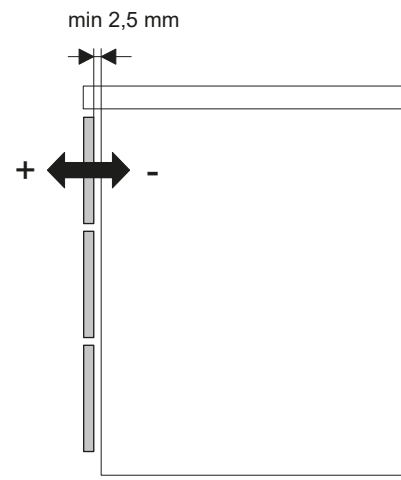




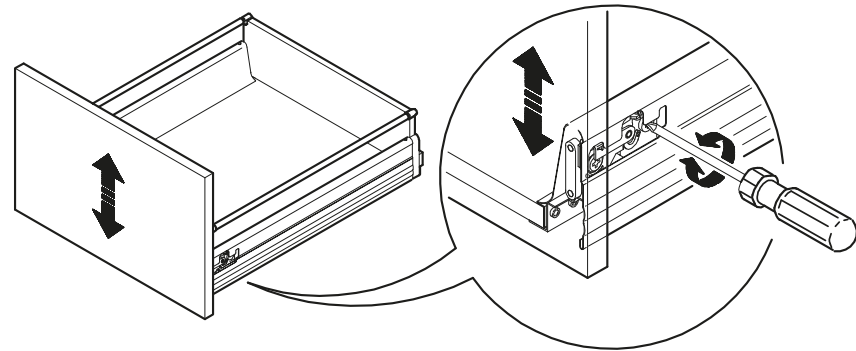
15



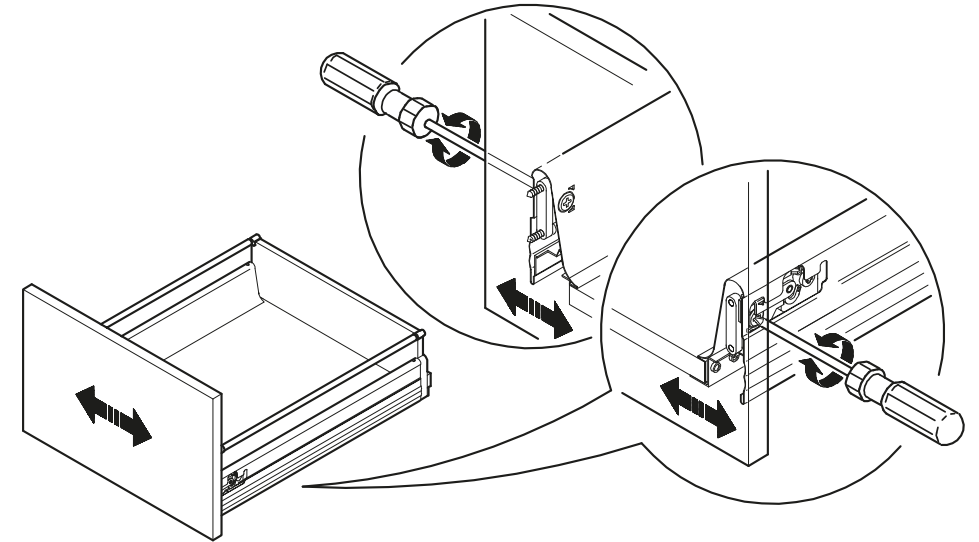
16



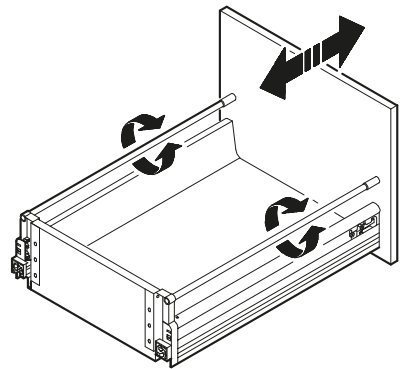
17



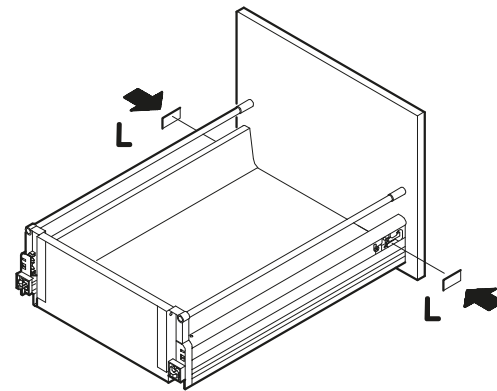
18



19

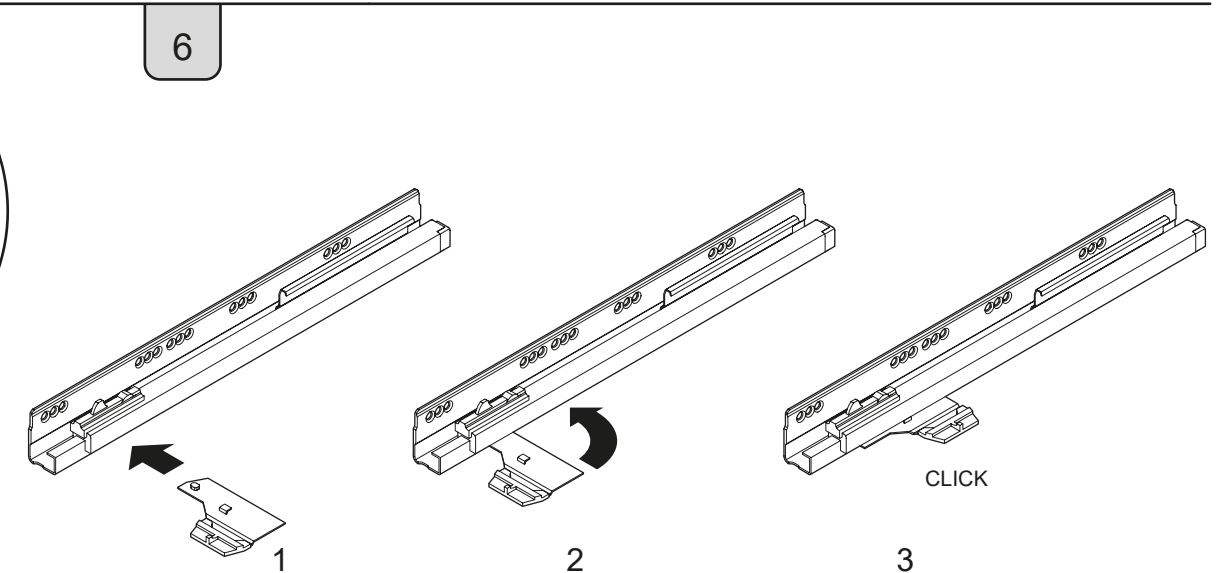
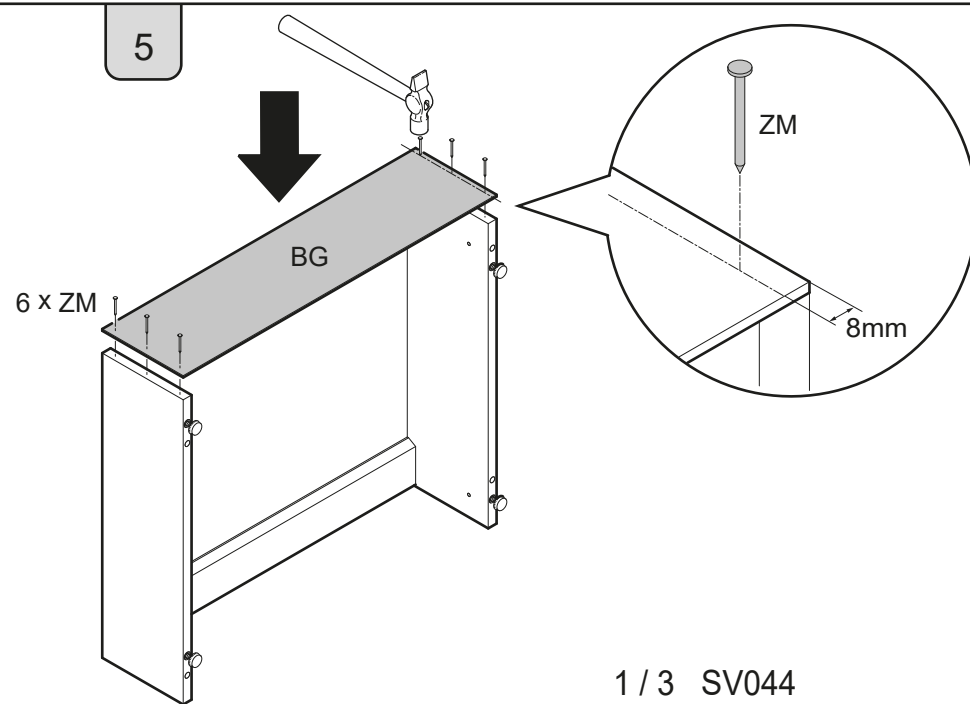
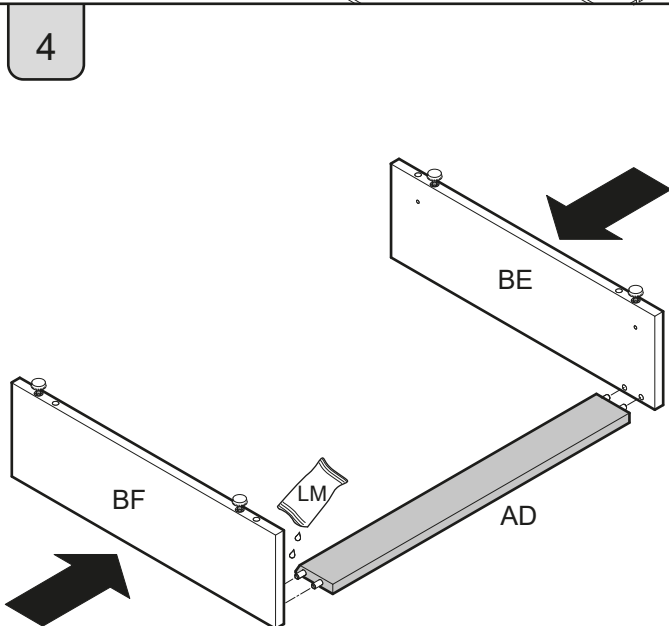
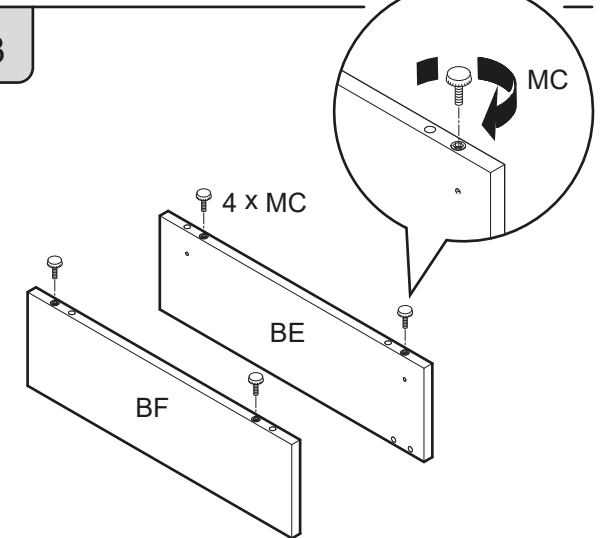
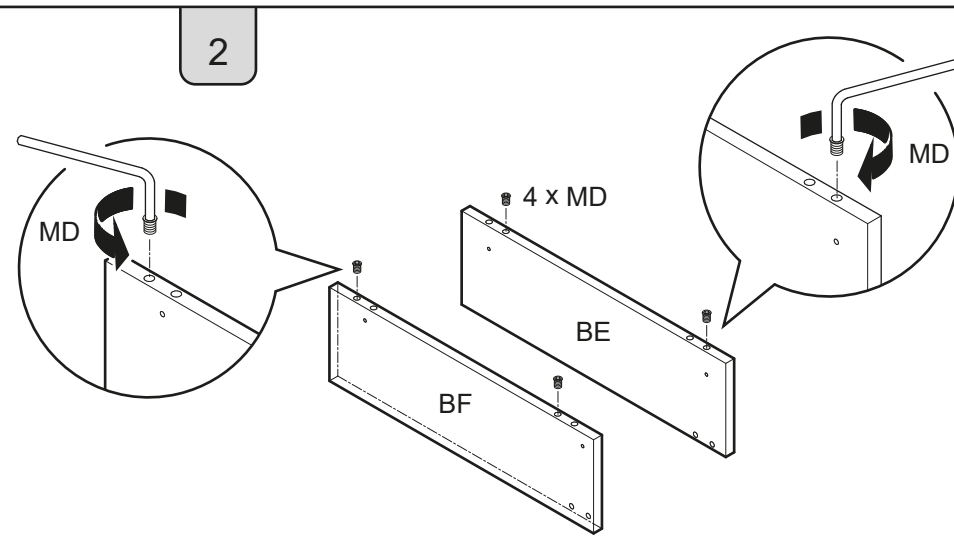
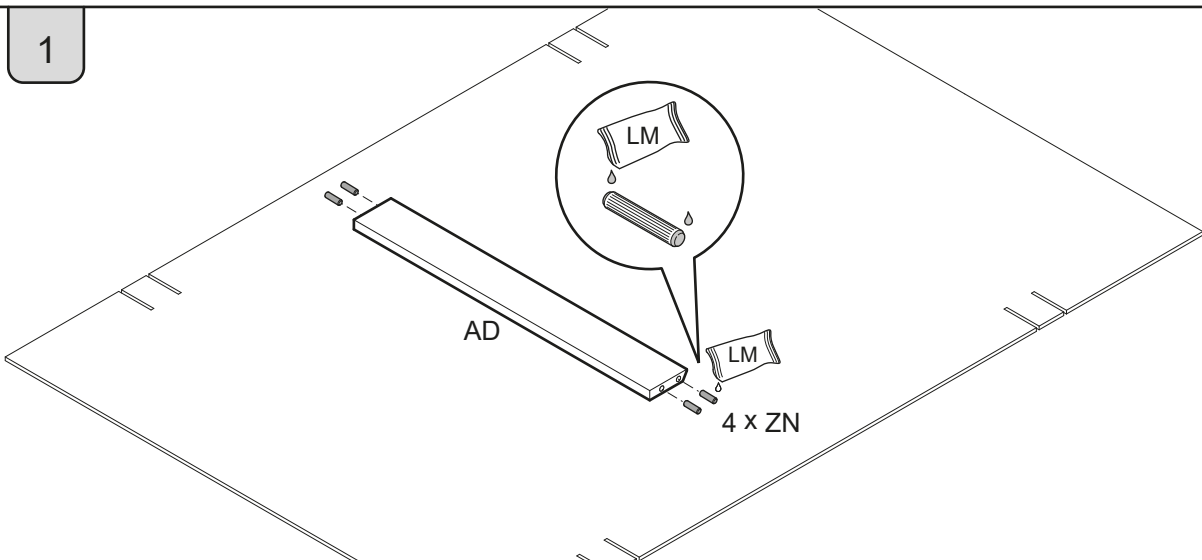
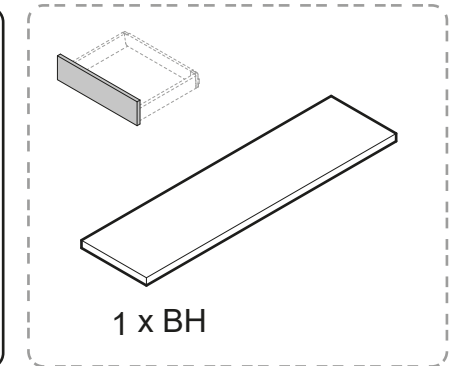
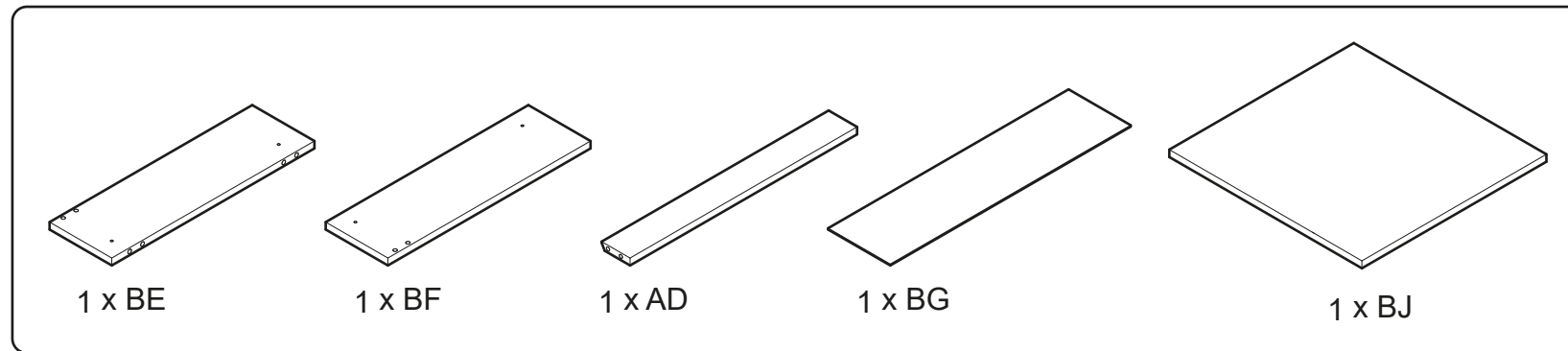
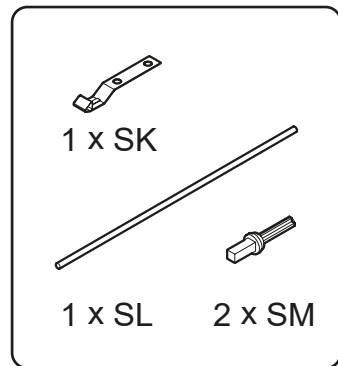
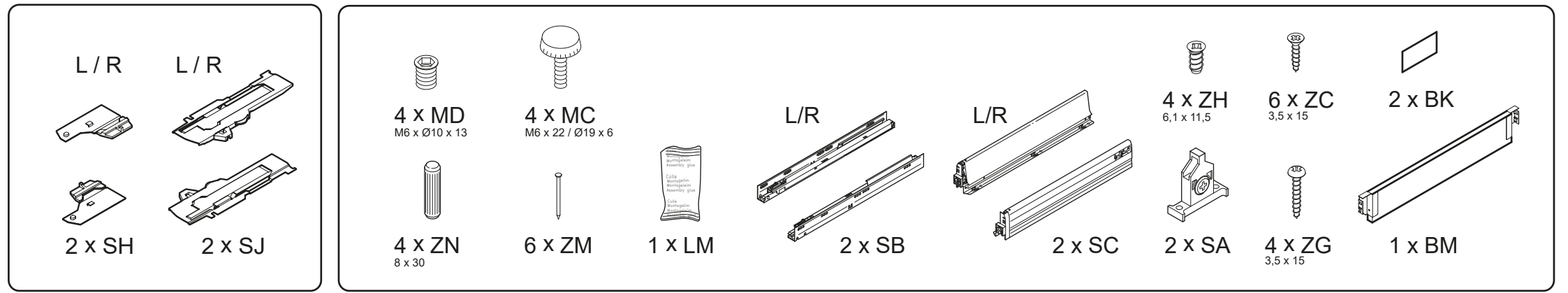
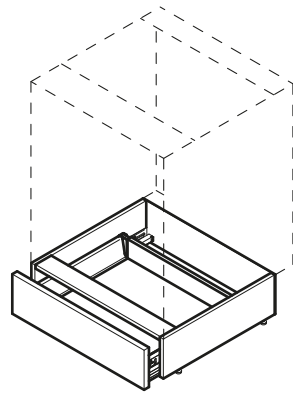


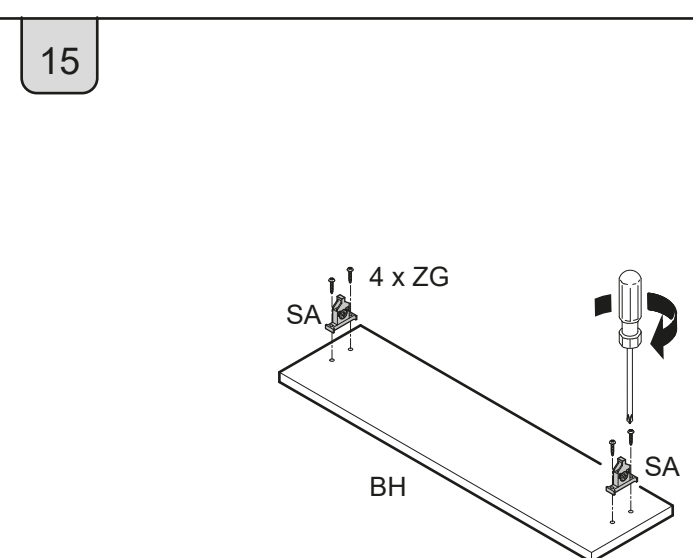
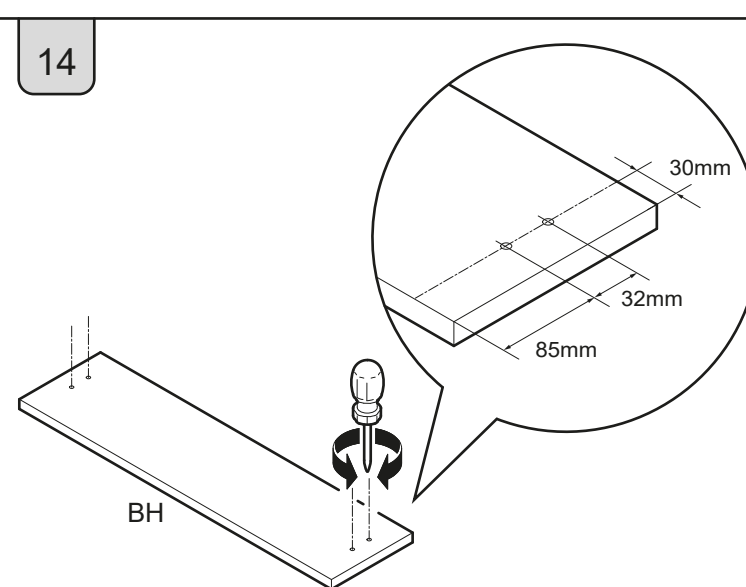
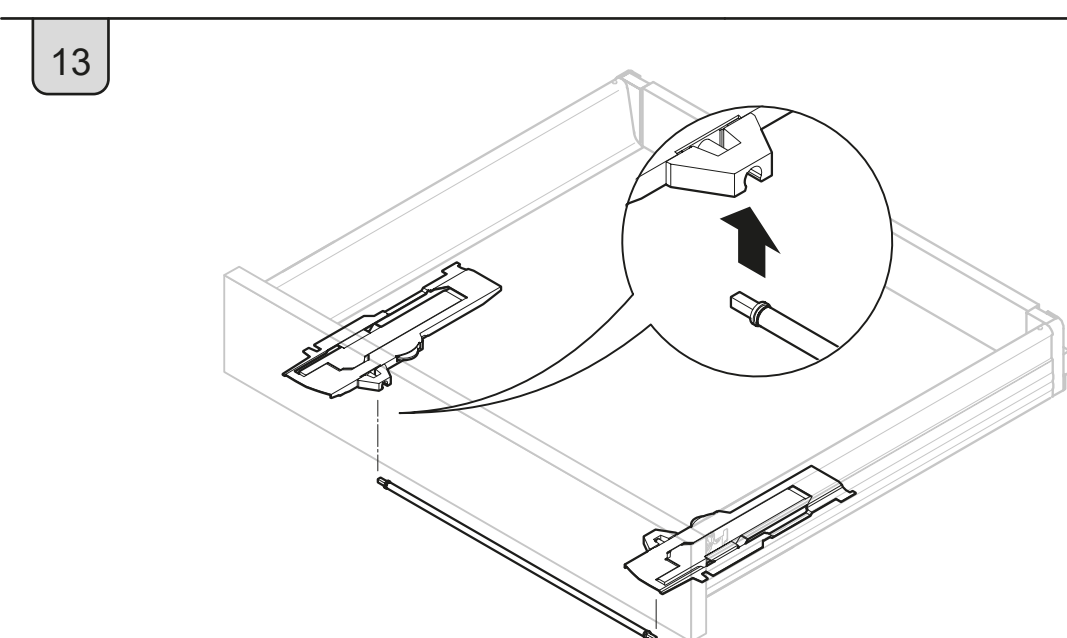
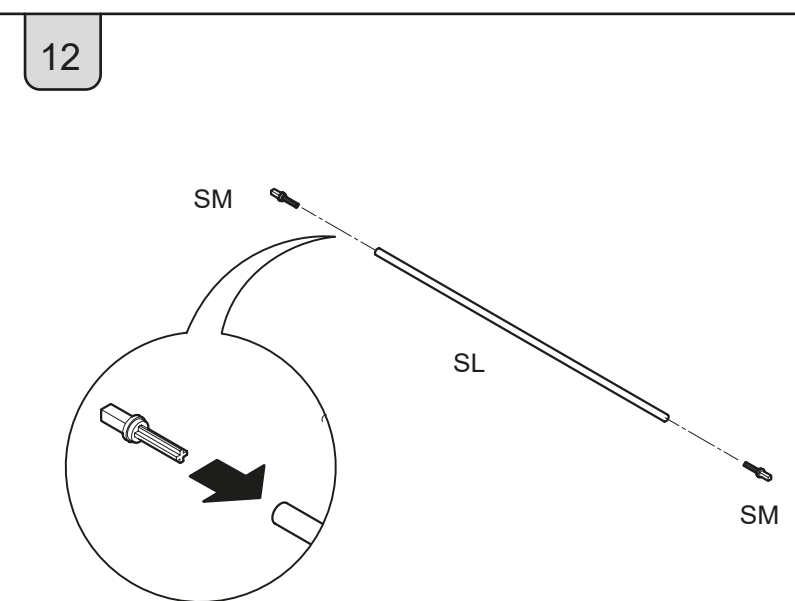
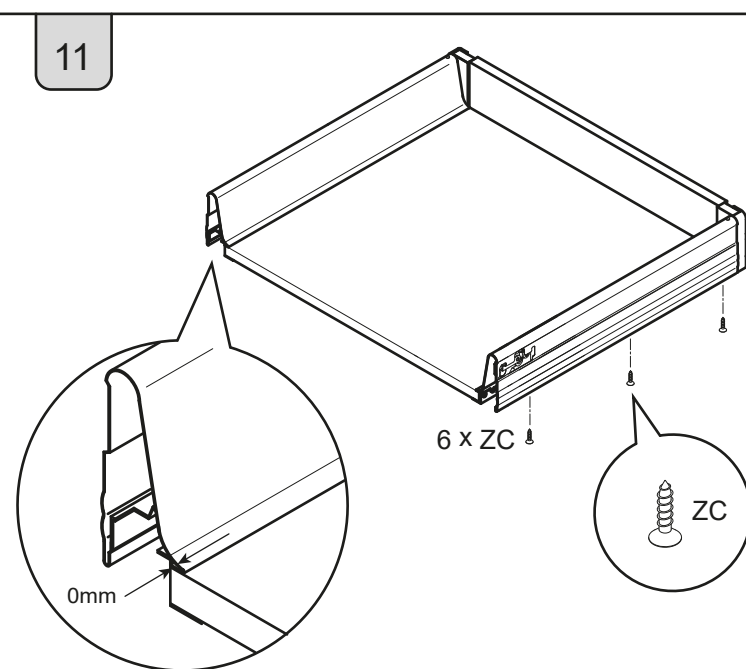
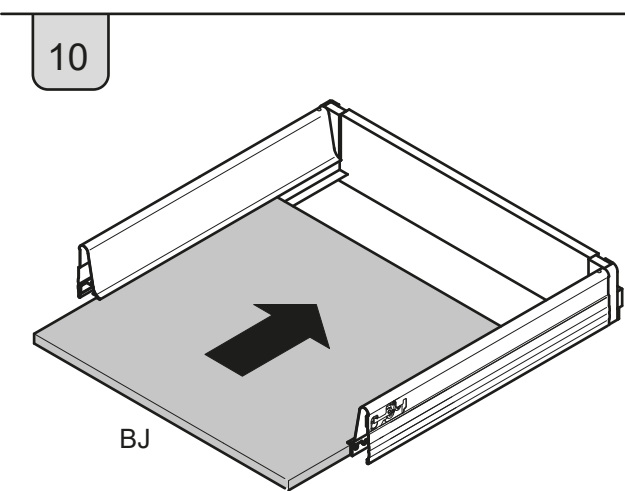
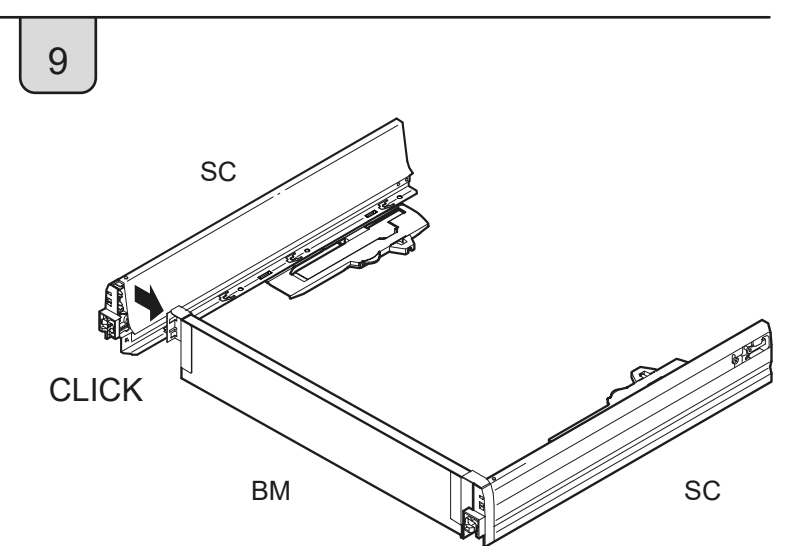
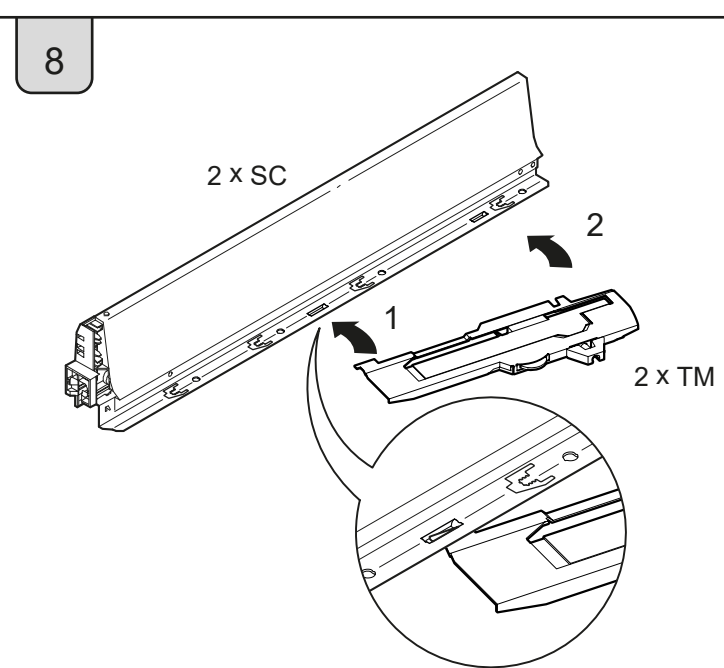
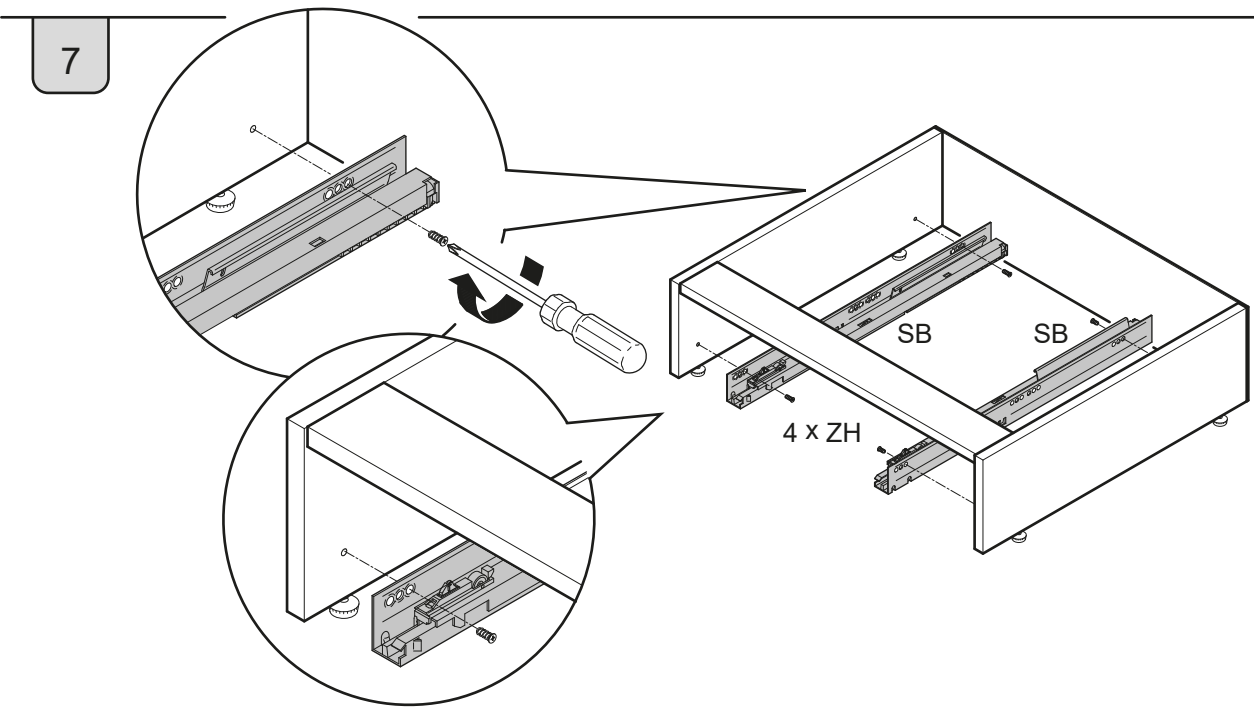
20



TMSTSO41  
 TMSTSO51  
 TMSTSO61  
 TMSTSO81

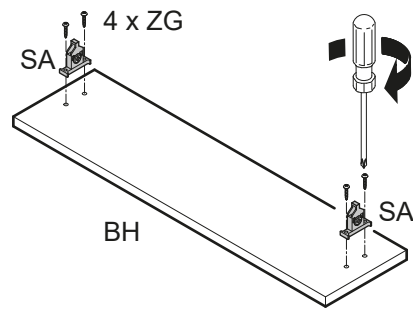
SV044



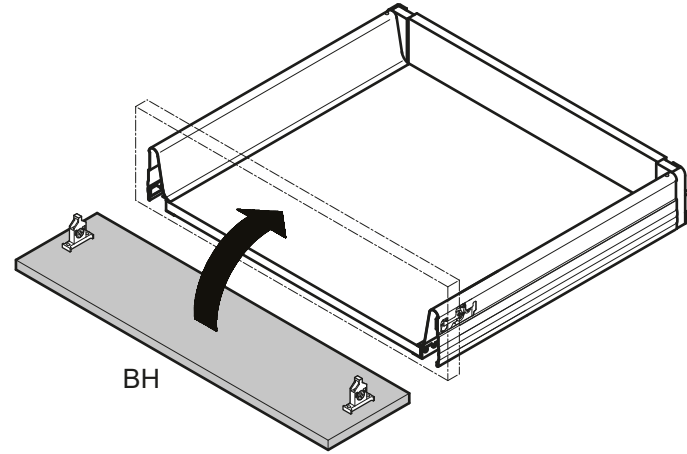




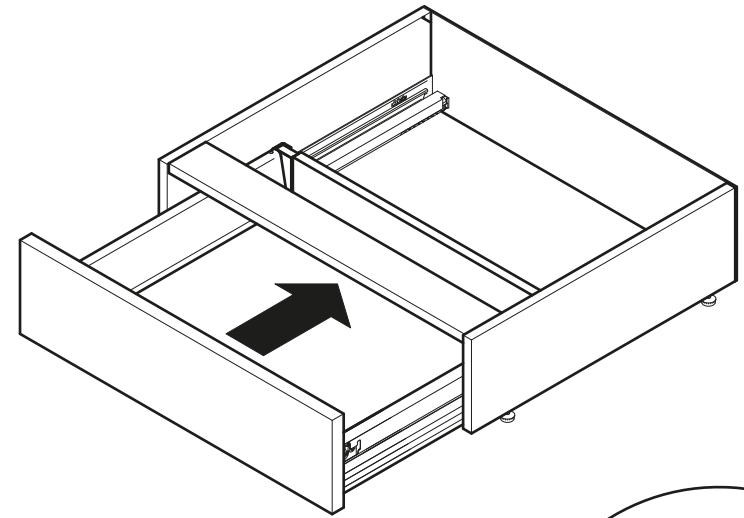
16



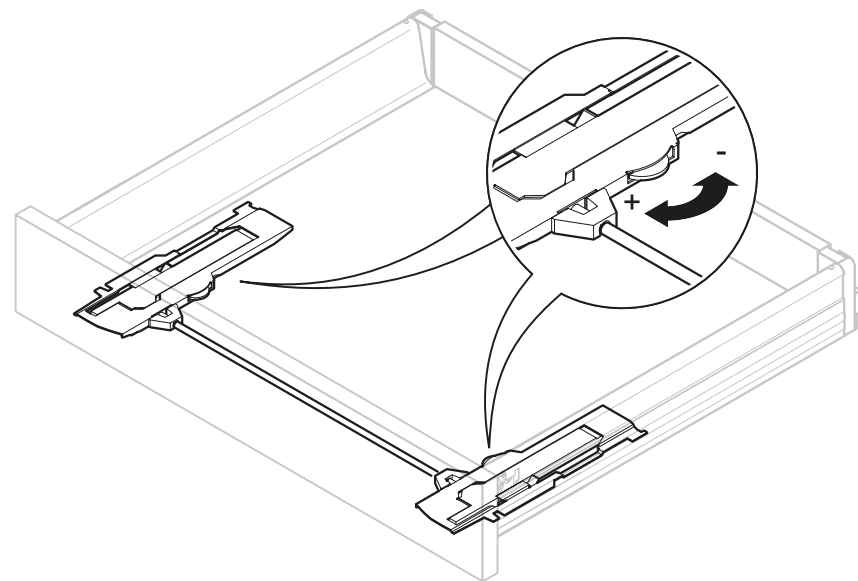
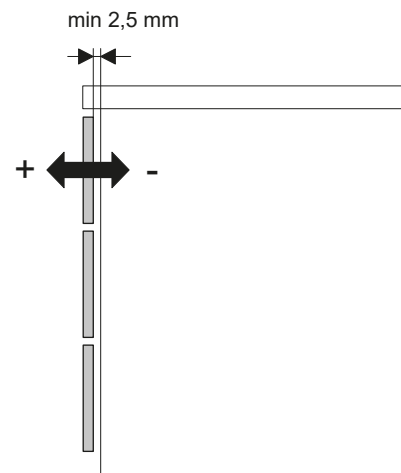
17



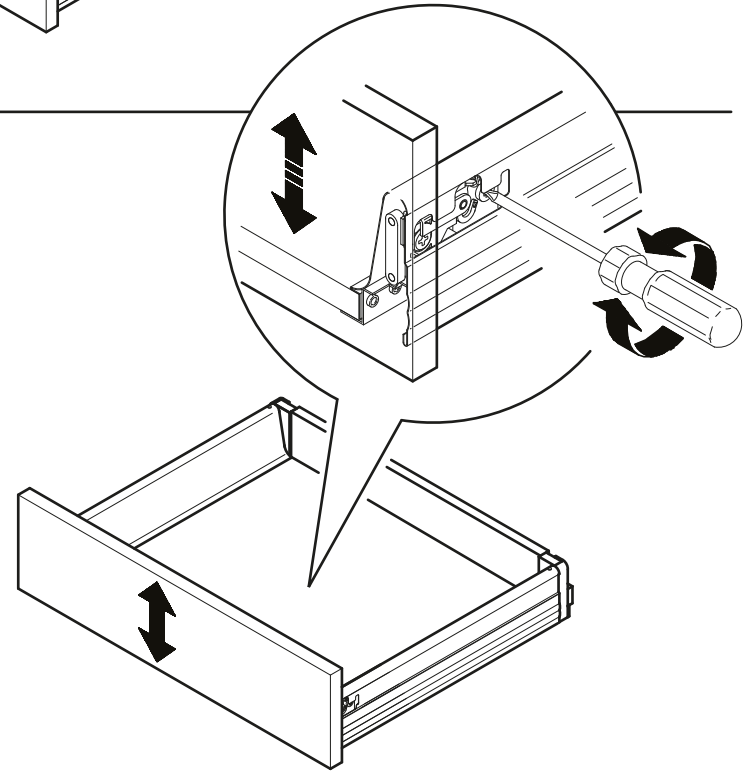
18



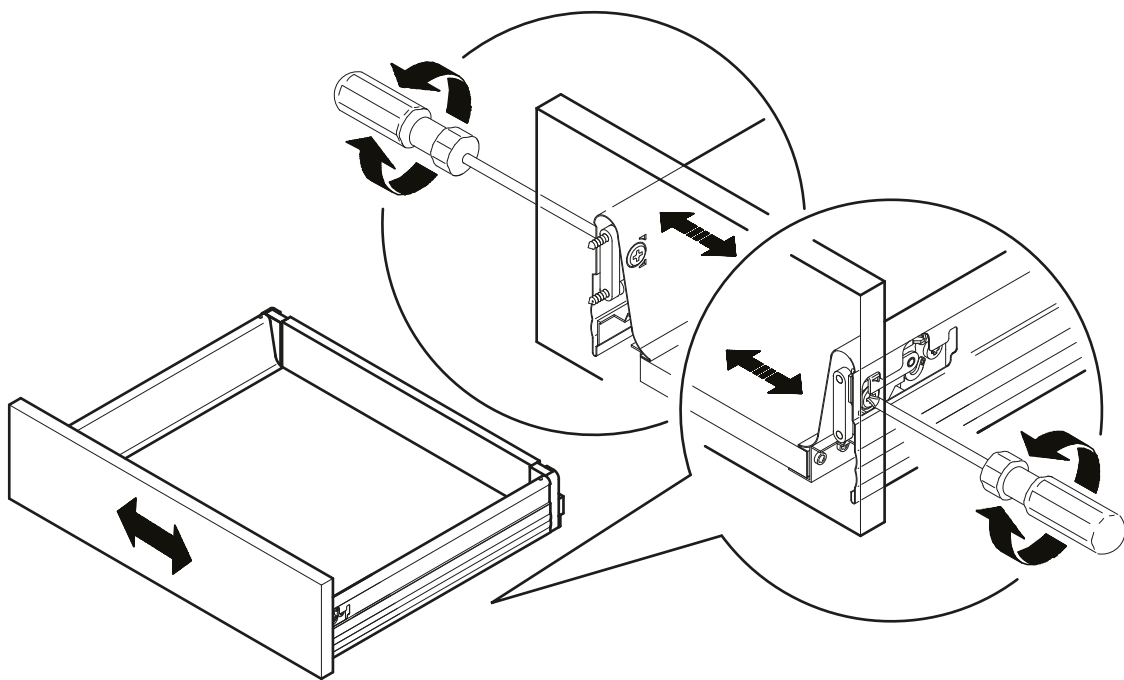
19



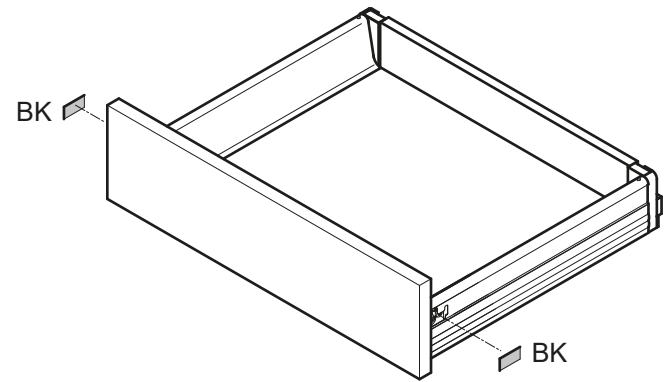
20



21

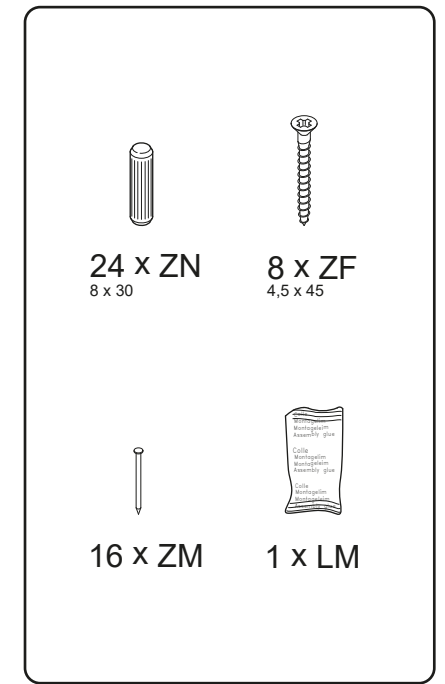
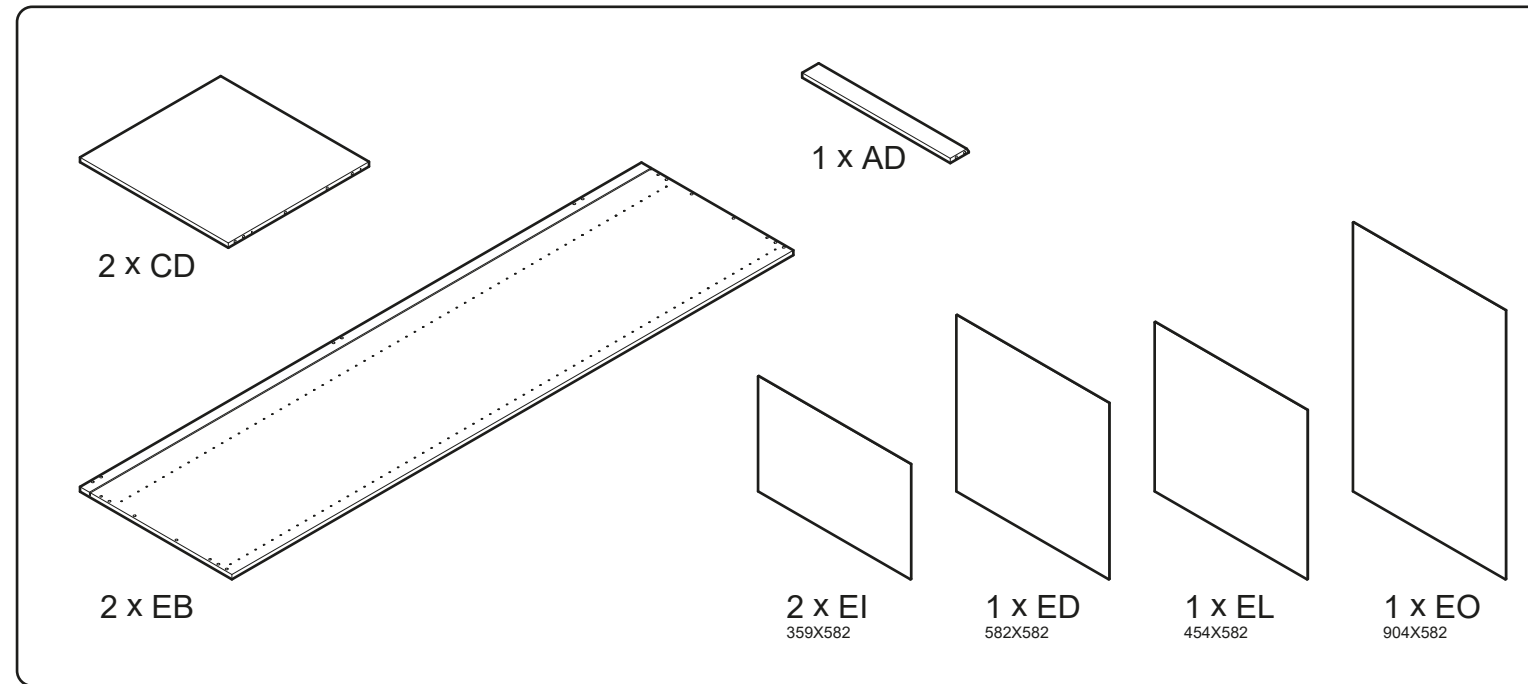
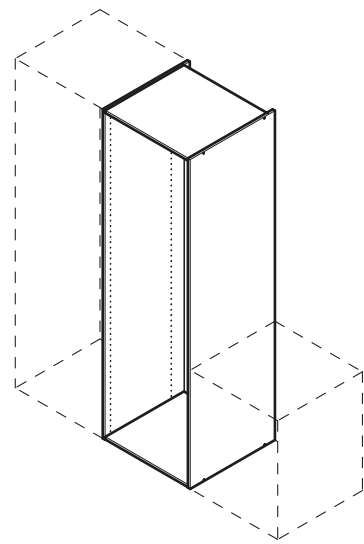


22



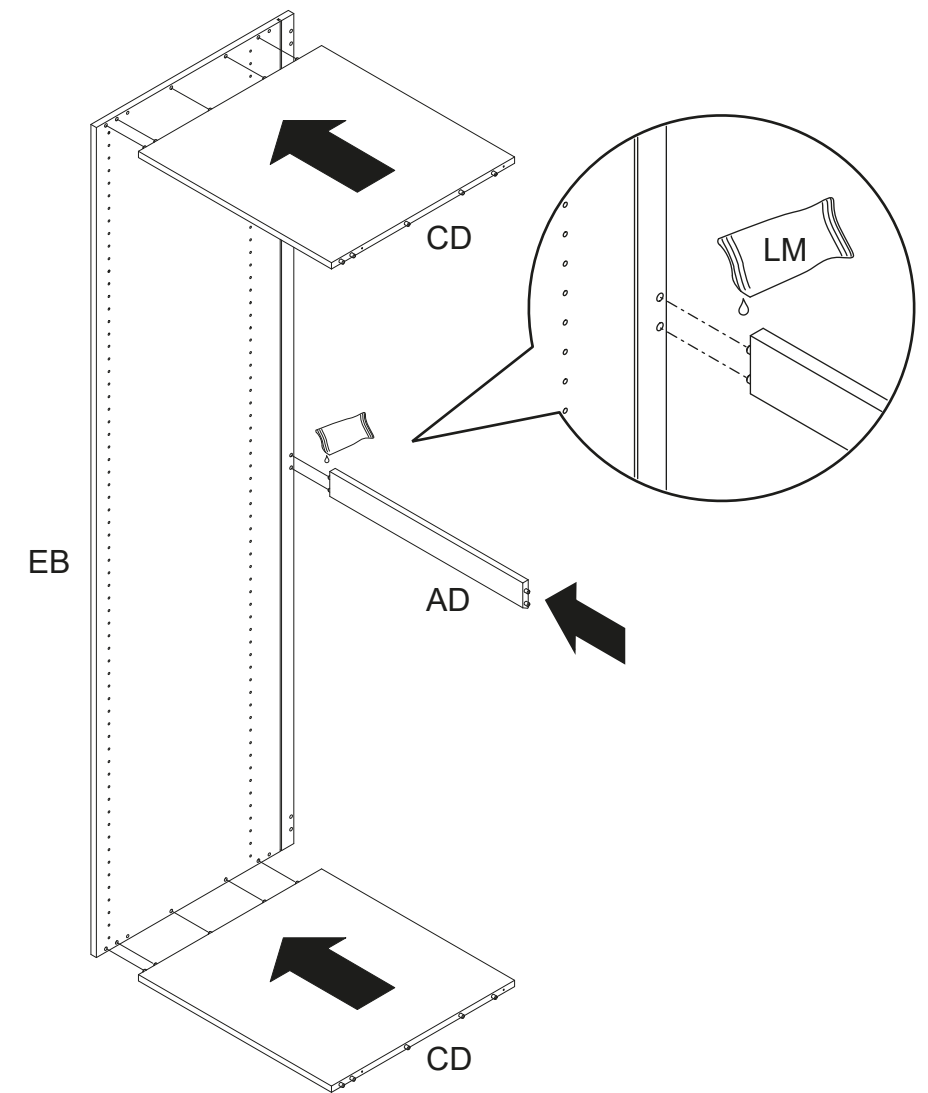
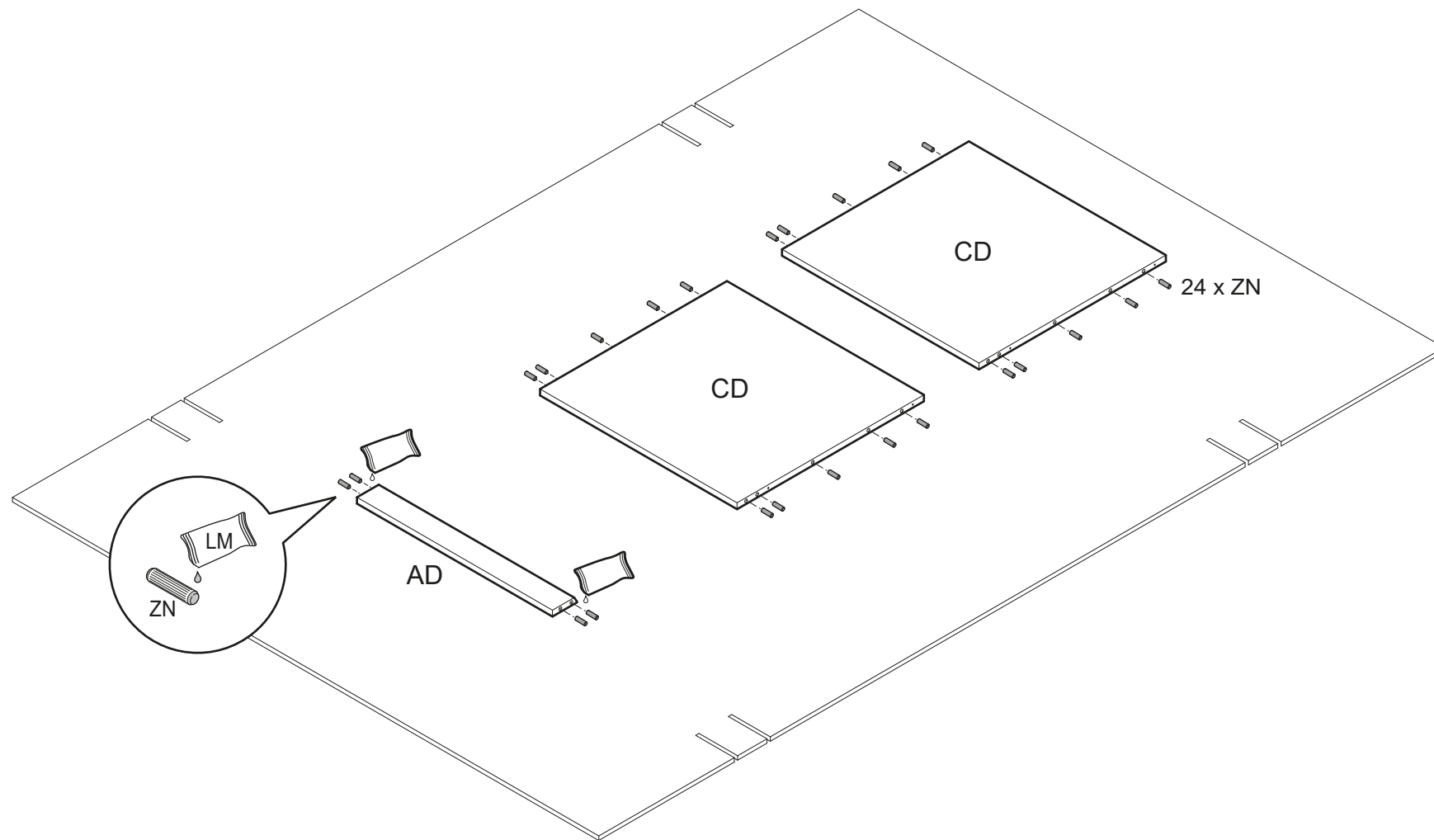
HHOK60

SV045



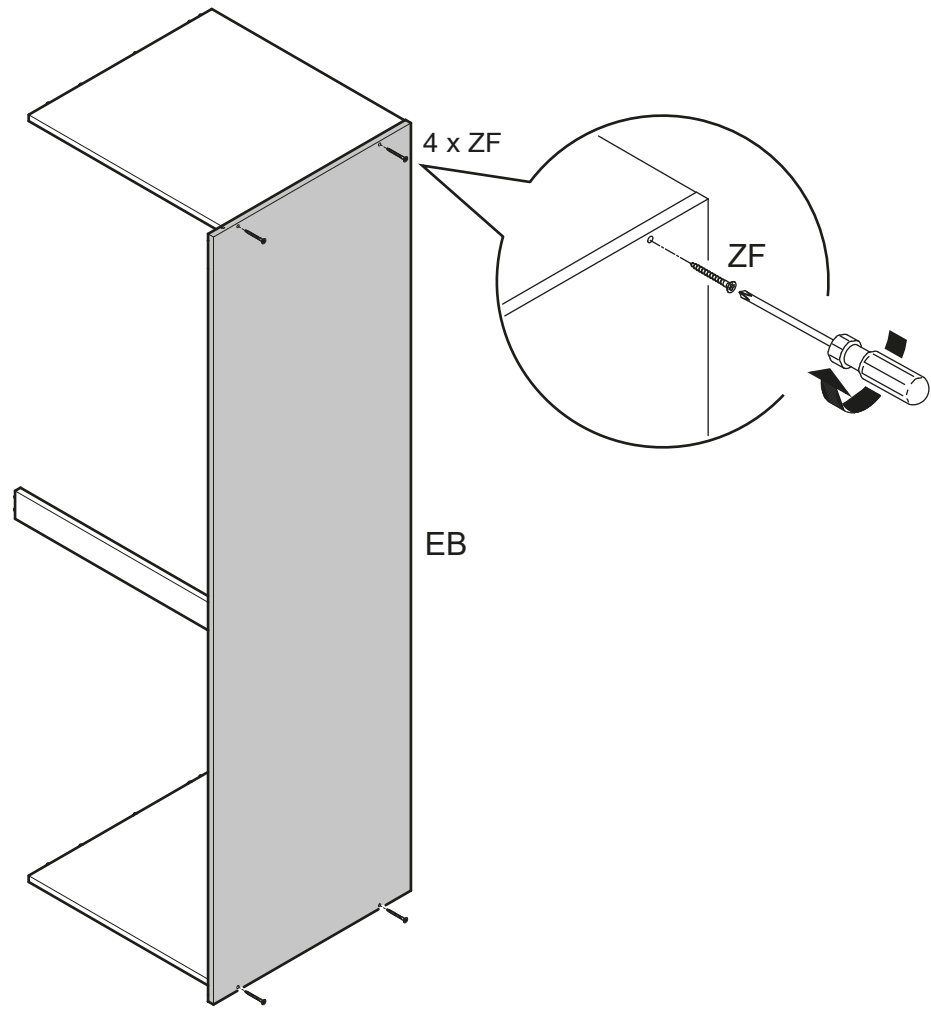
1

2

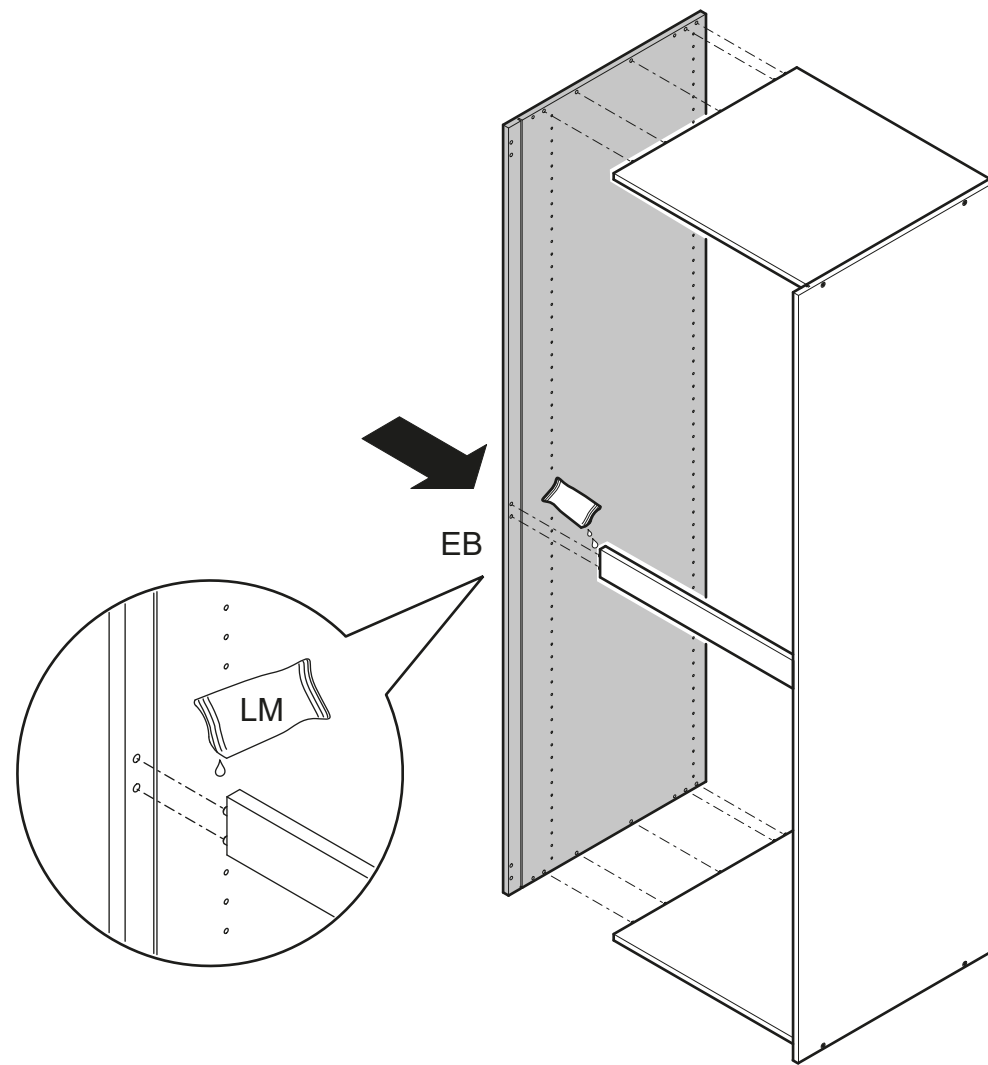




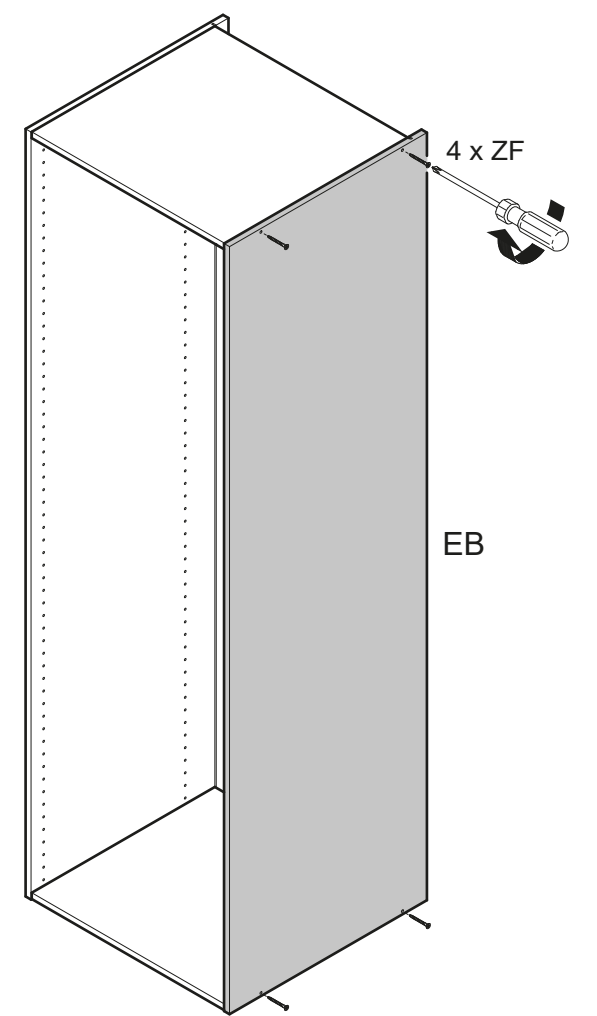
3



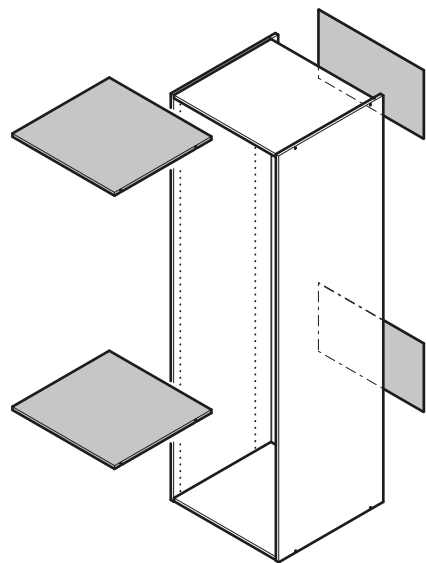
4



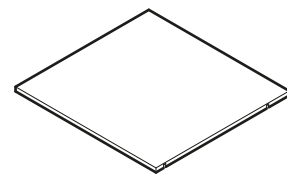
5



HHKT61-  
HHOT63-  
HHOT61-  
HHOTH64-



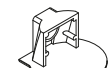
KH601  
KH602



2 x EG



8 x MK

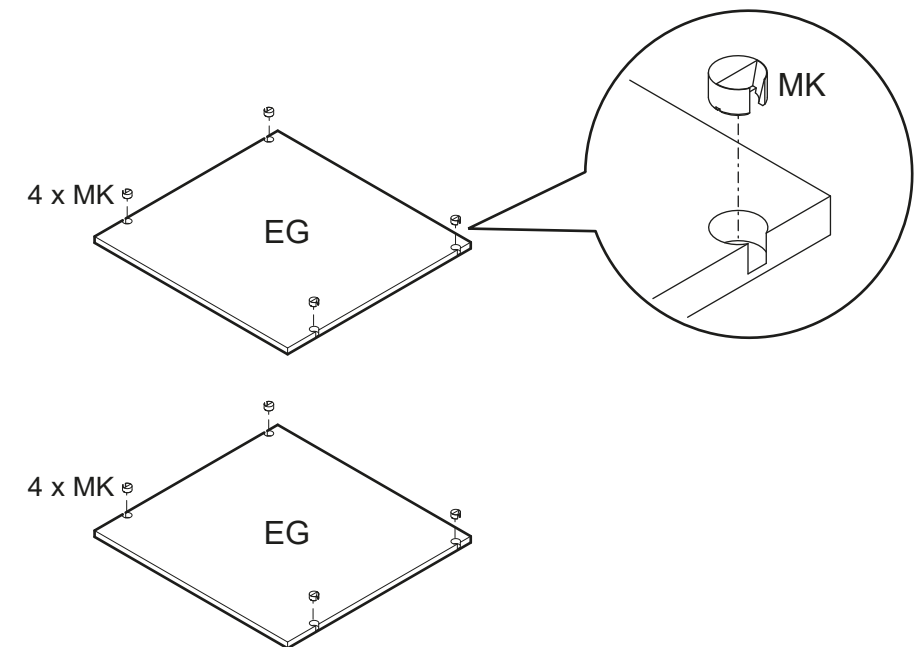


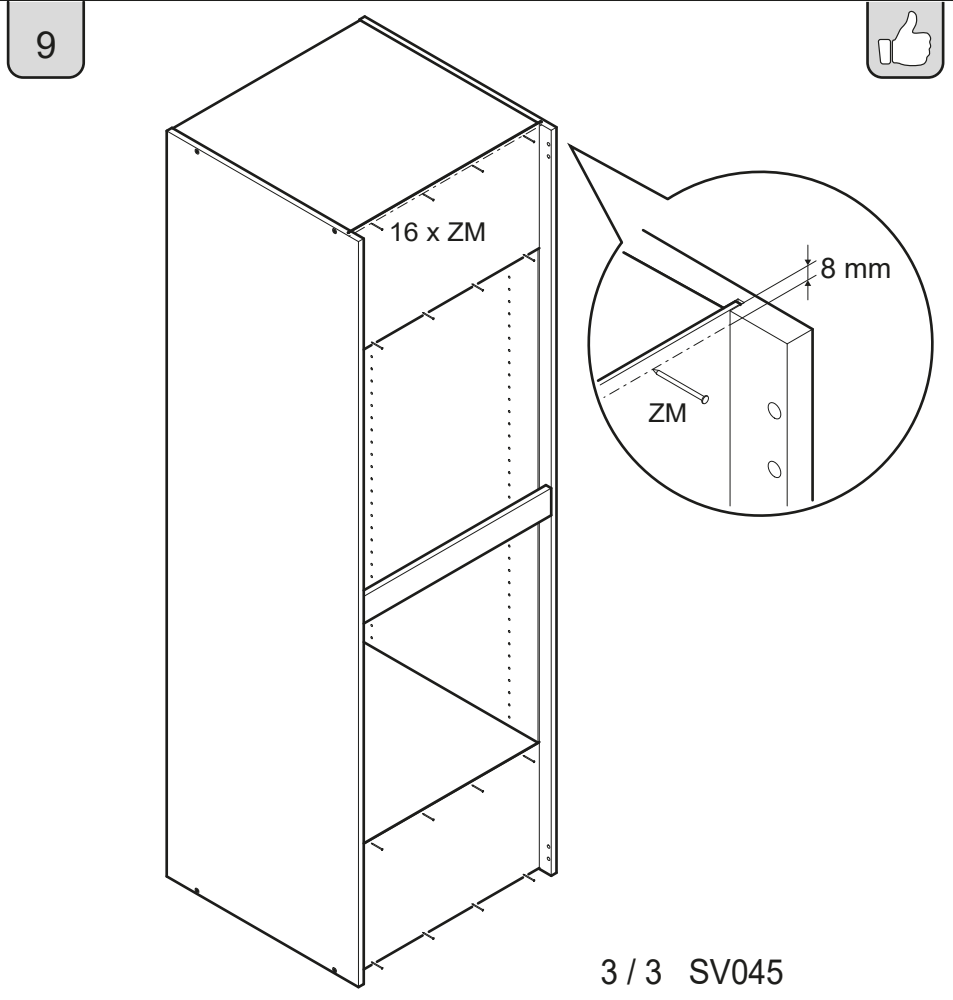
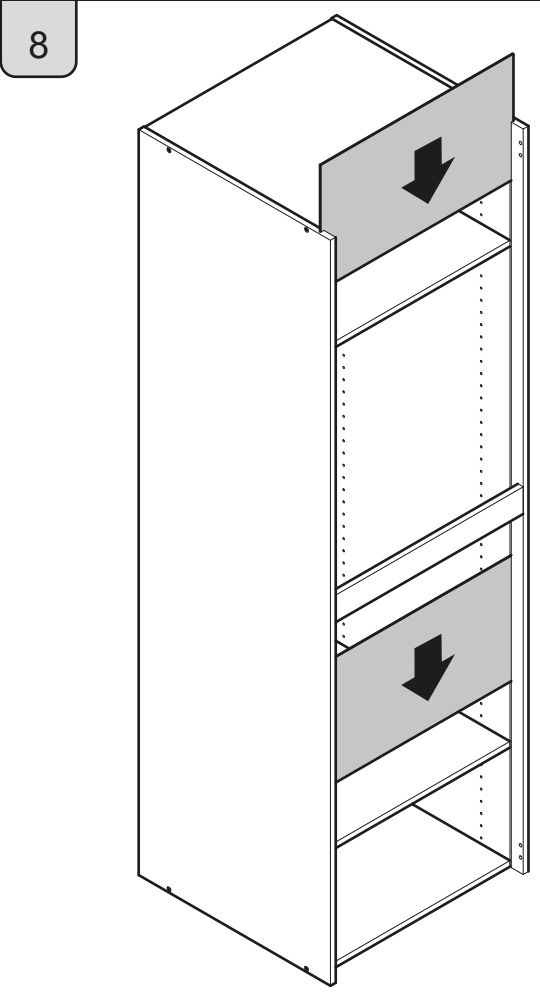
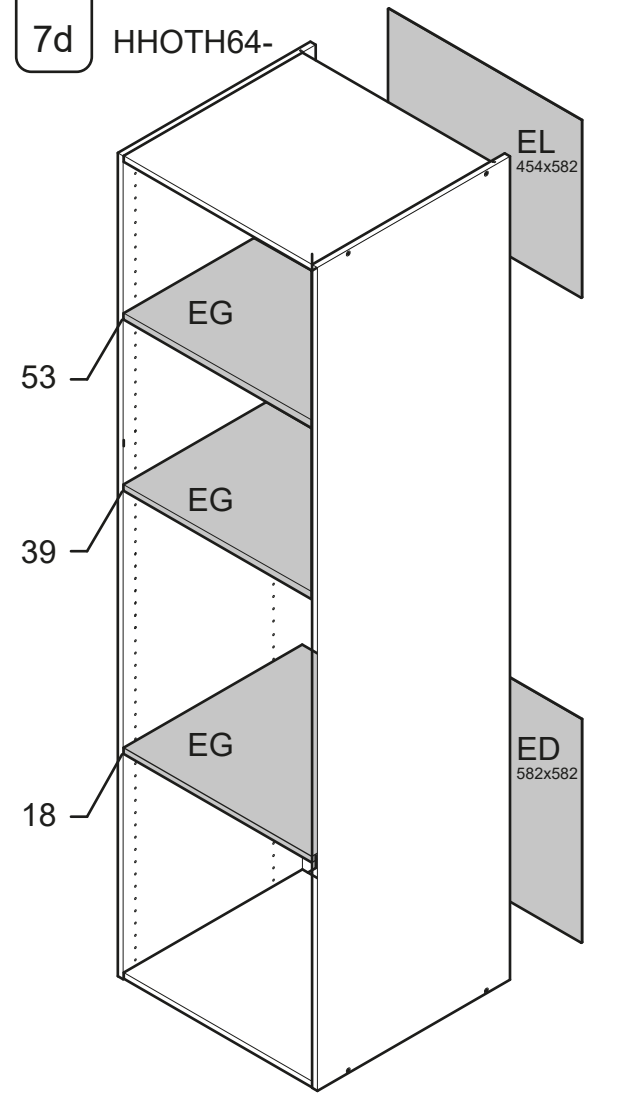
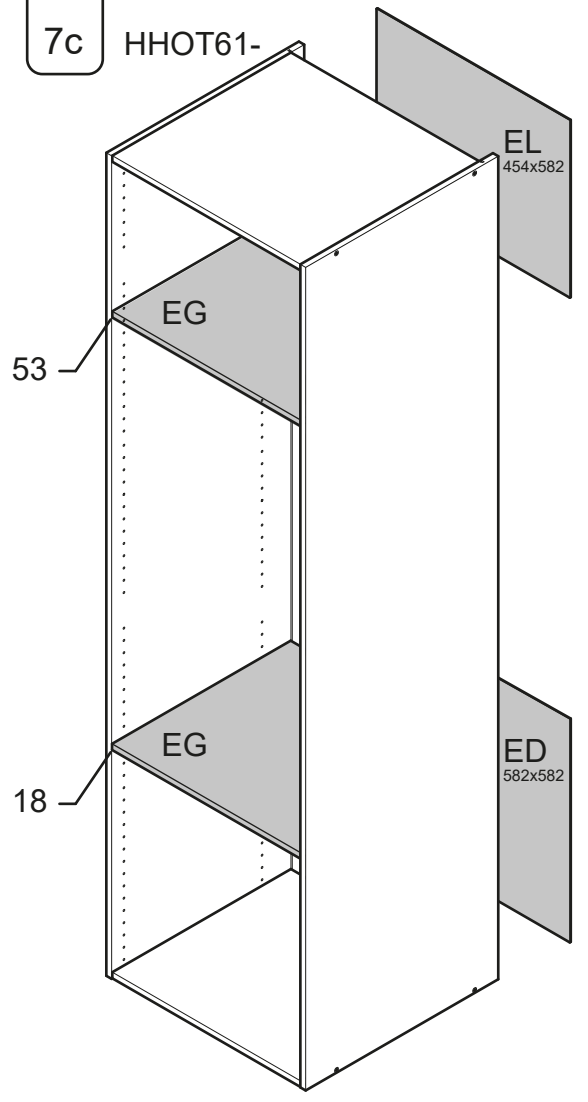
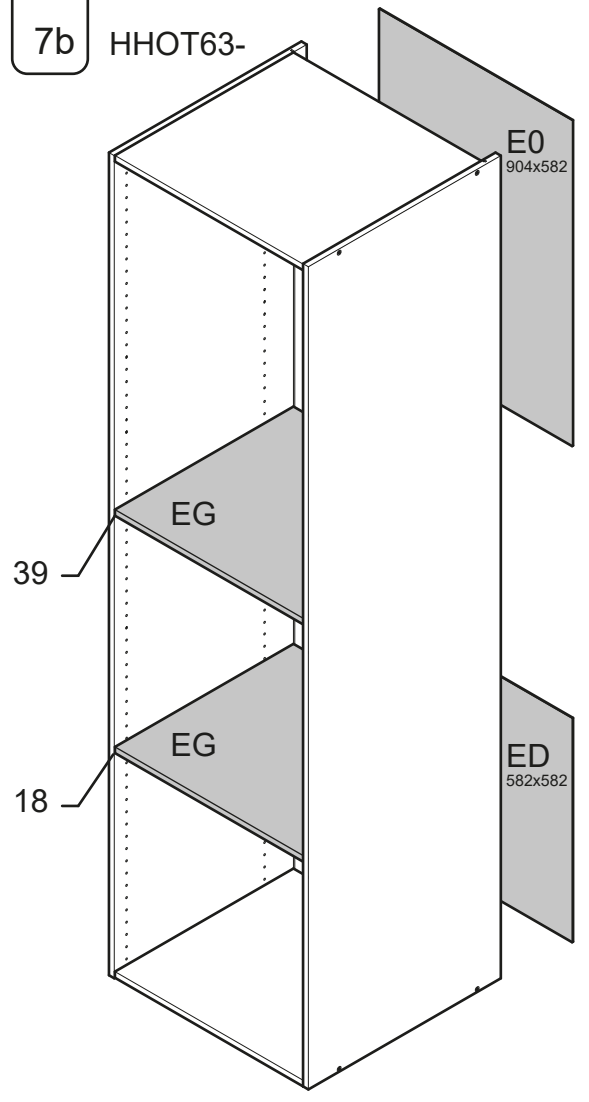
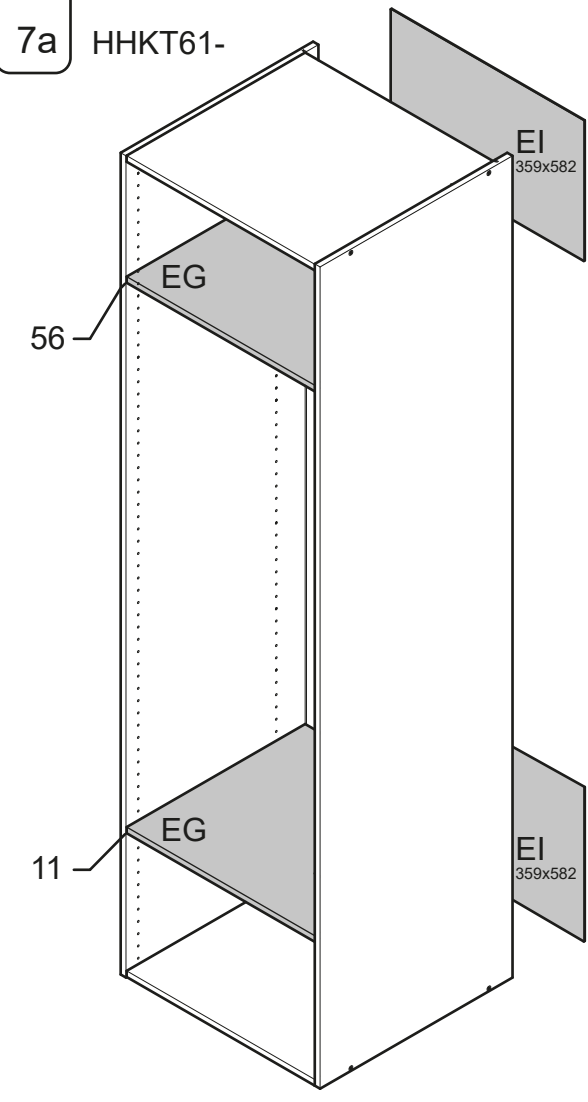
8 x MM



4 x YF  
6,3 x 14,5

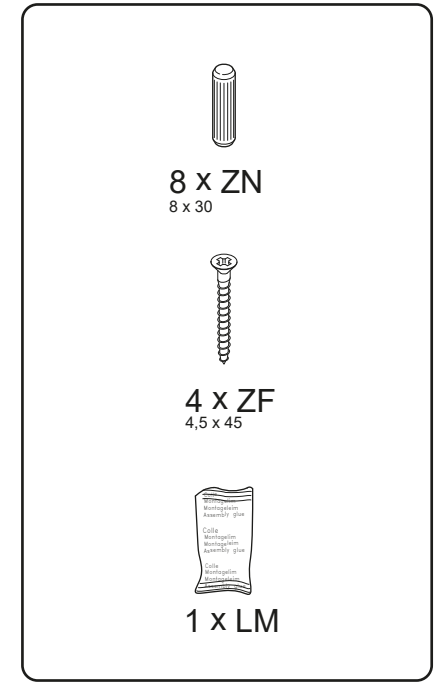
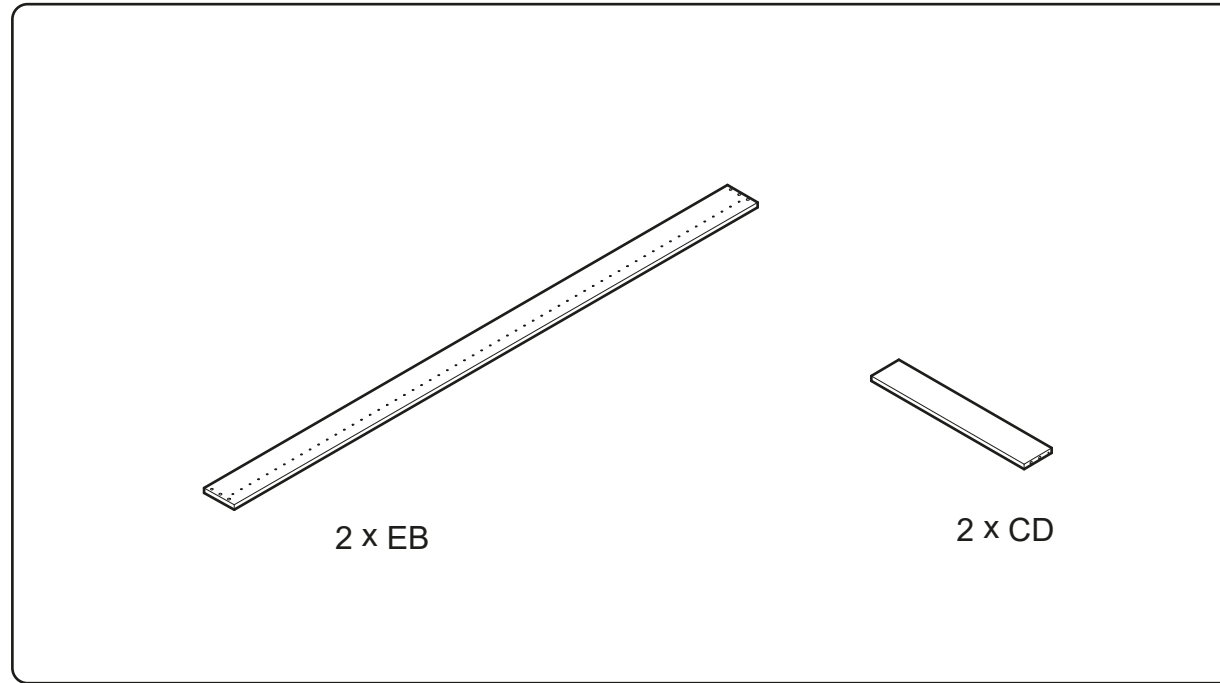
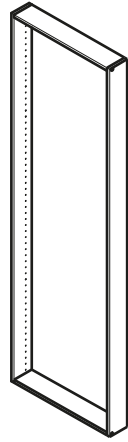
6





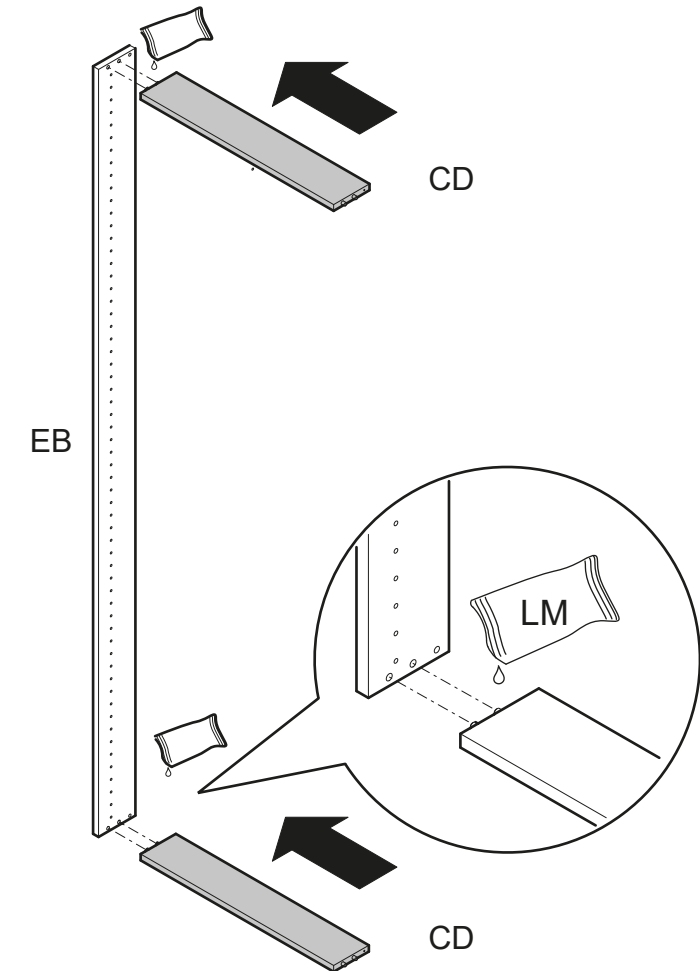
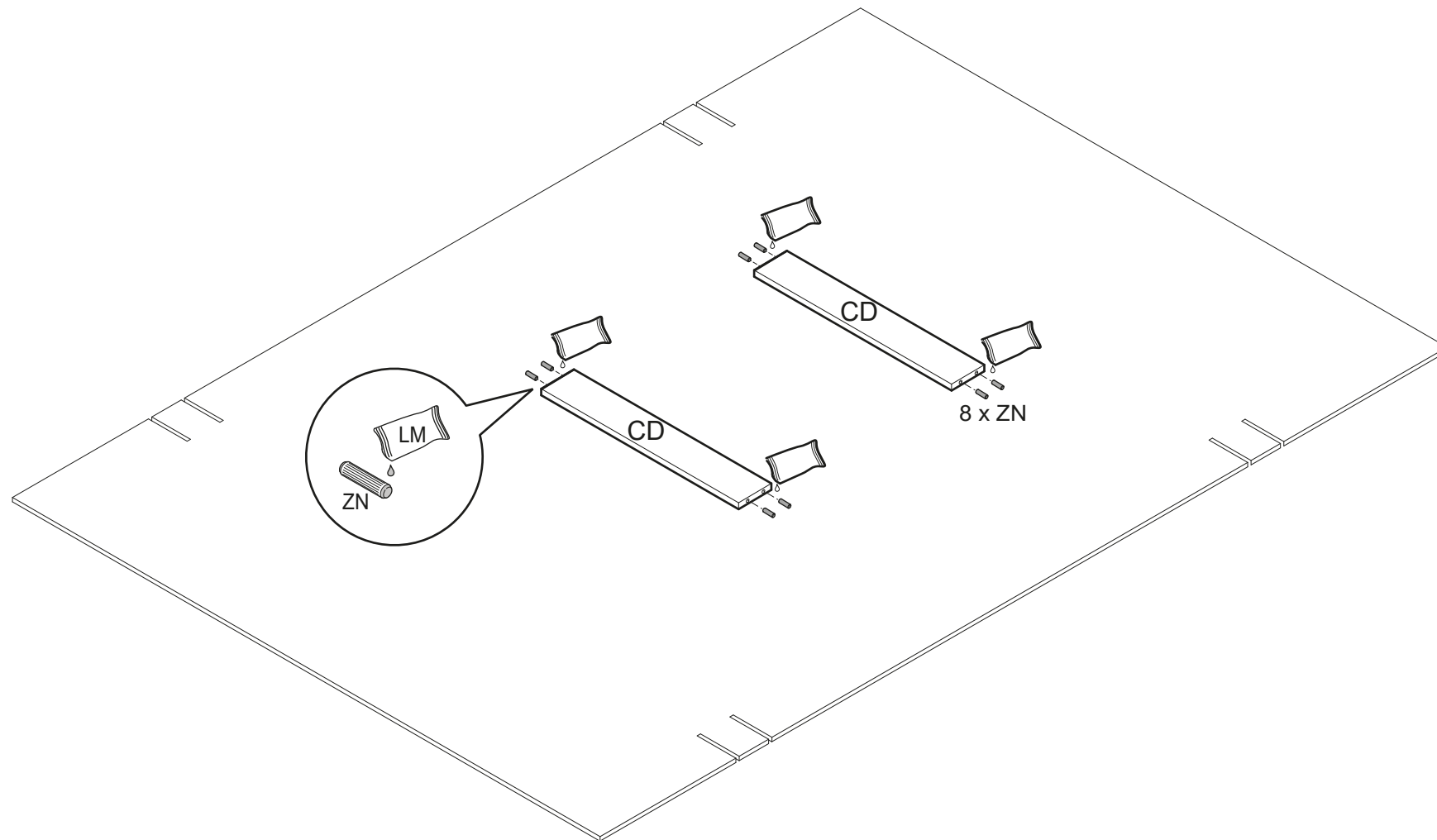
IR19540  
IR19550  
IR19560  
IR19580  
IR195100  
IR21440  
IR21450  
IR21460  
IR21480  
IR214100

SV046

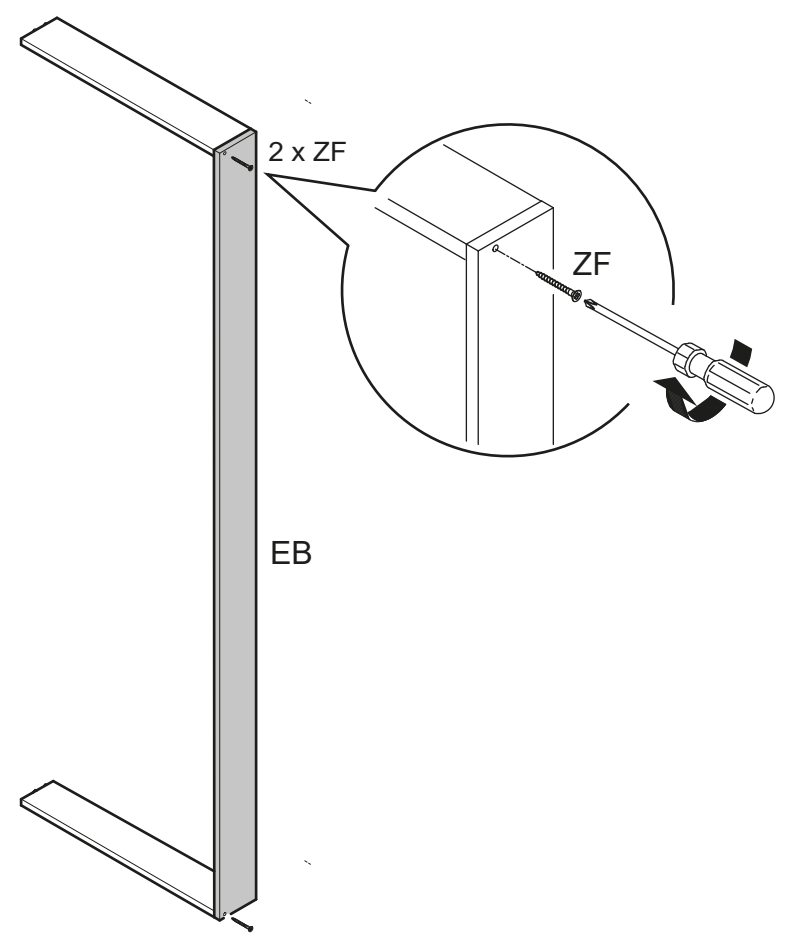


1

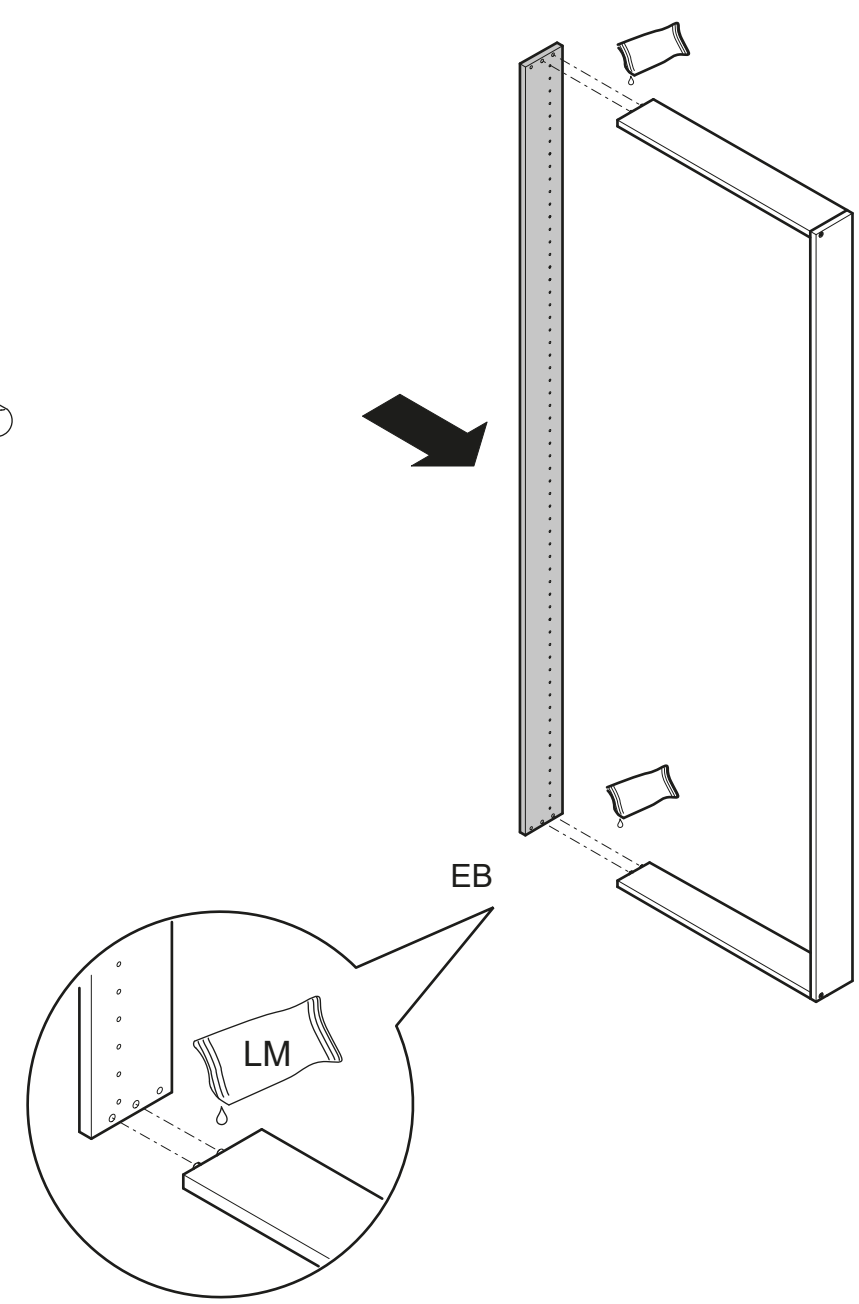
2



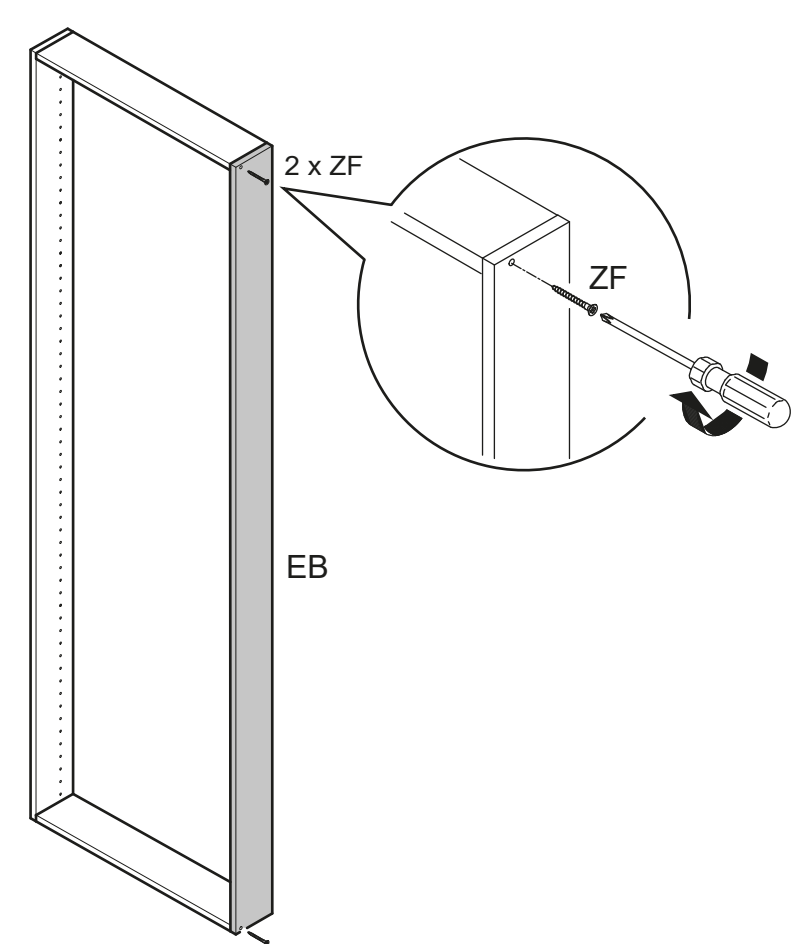
3



4

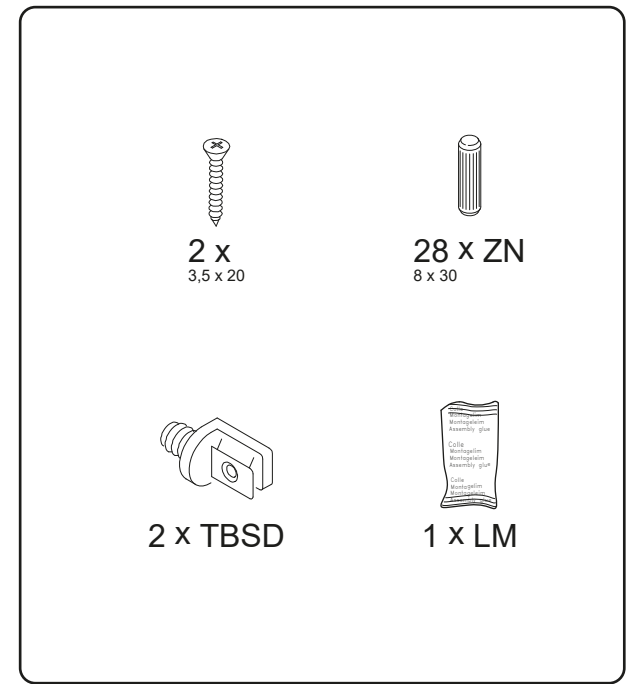
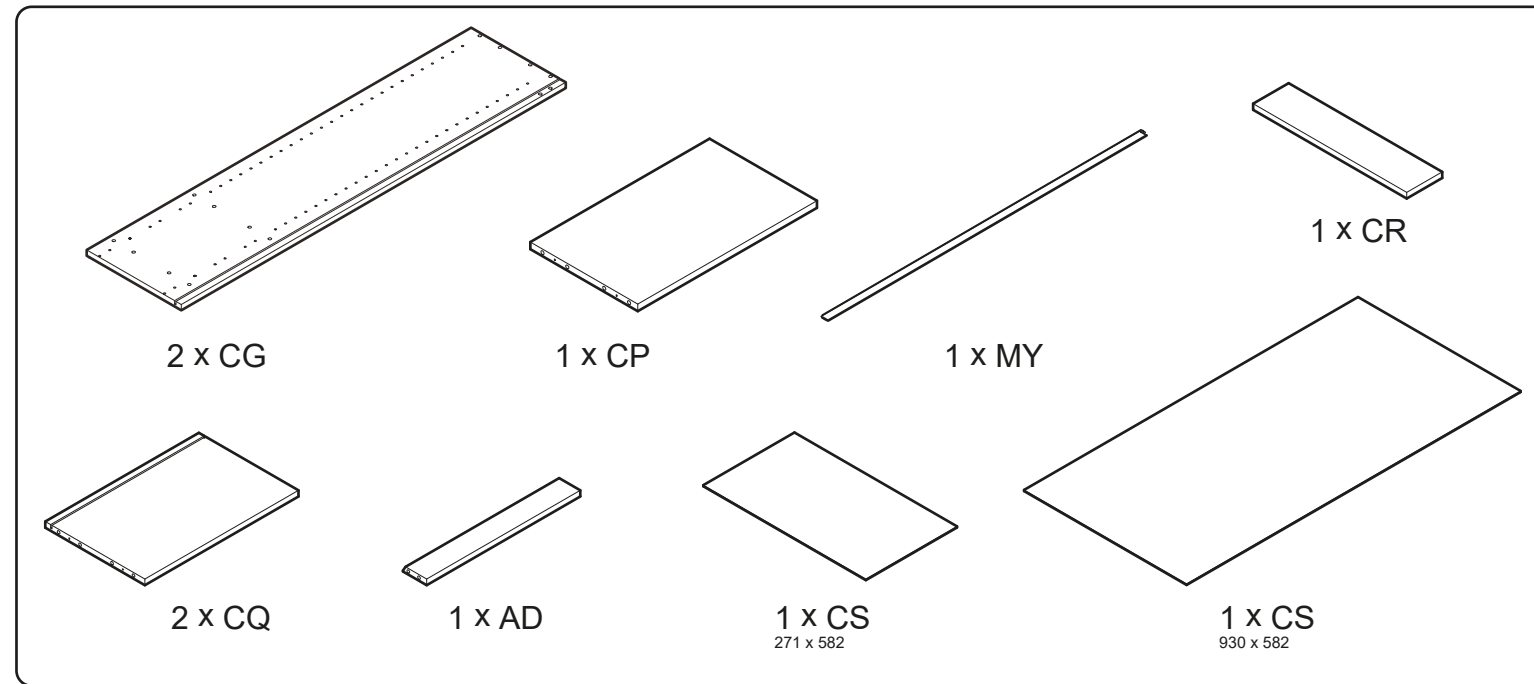
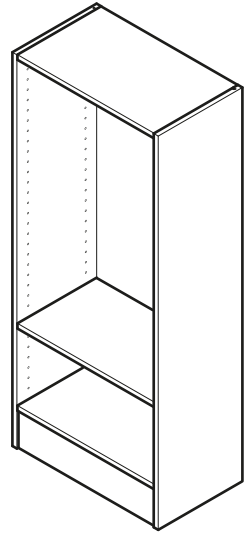


5

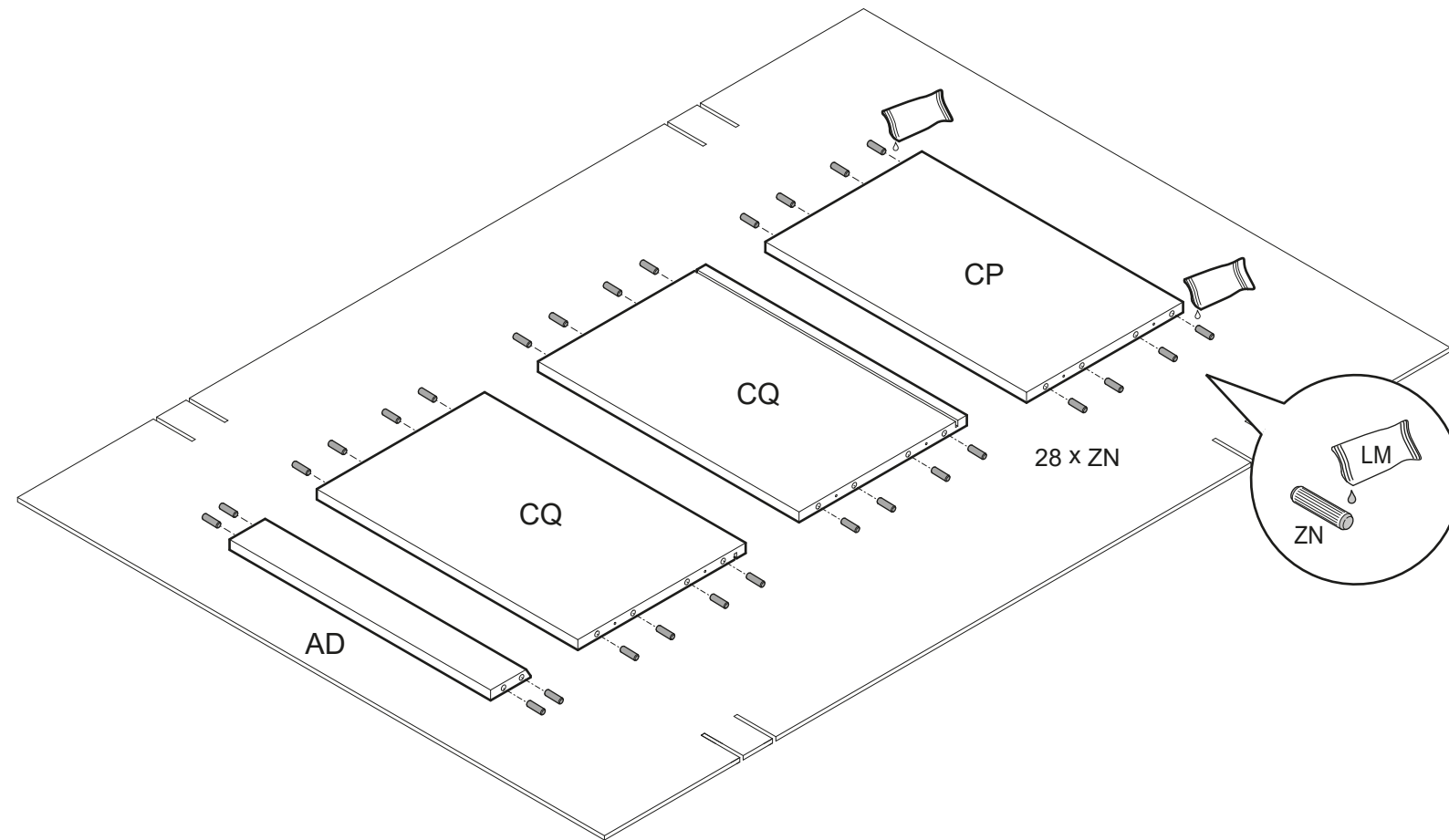


KB40  
KBH40

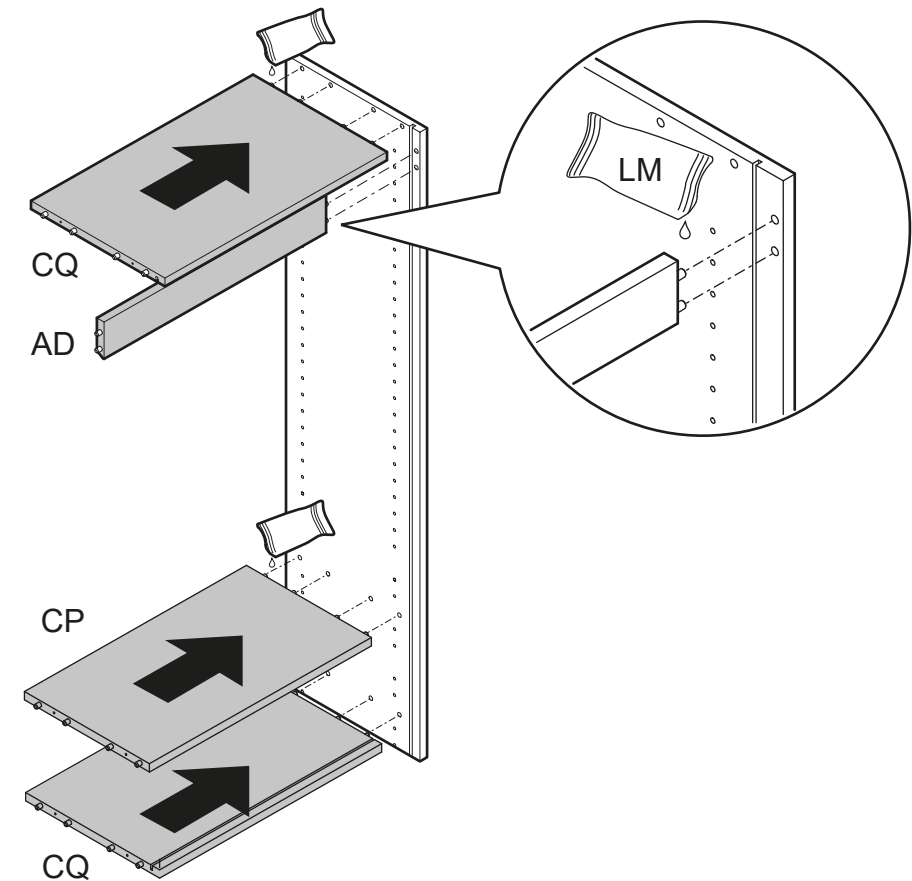
SV047



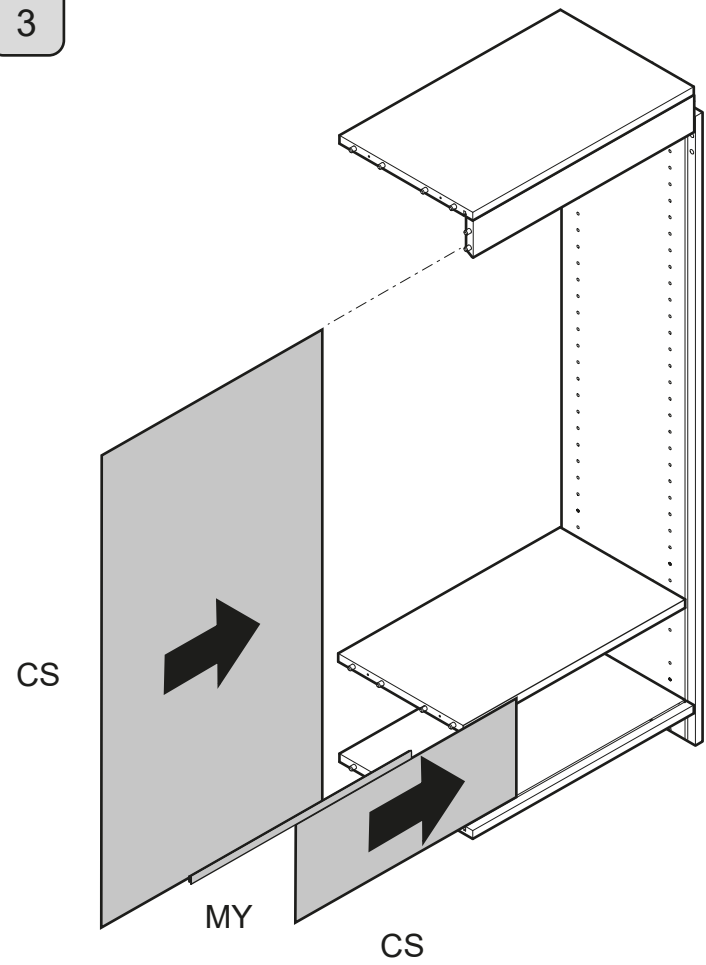
1



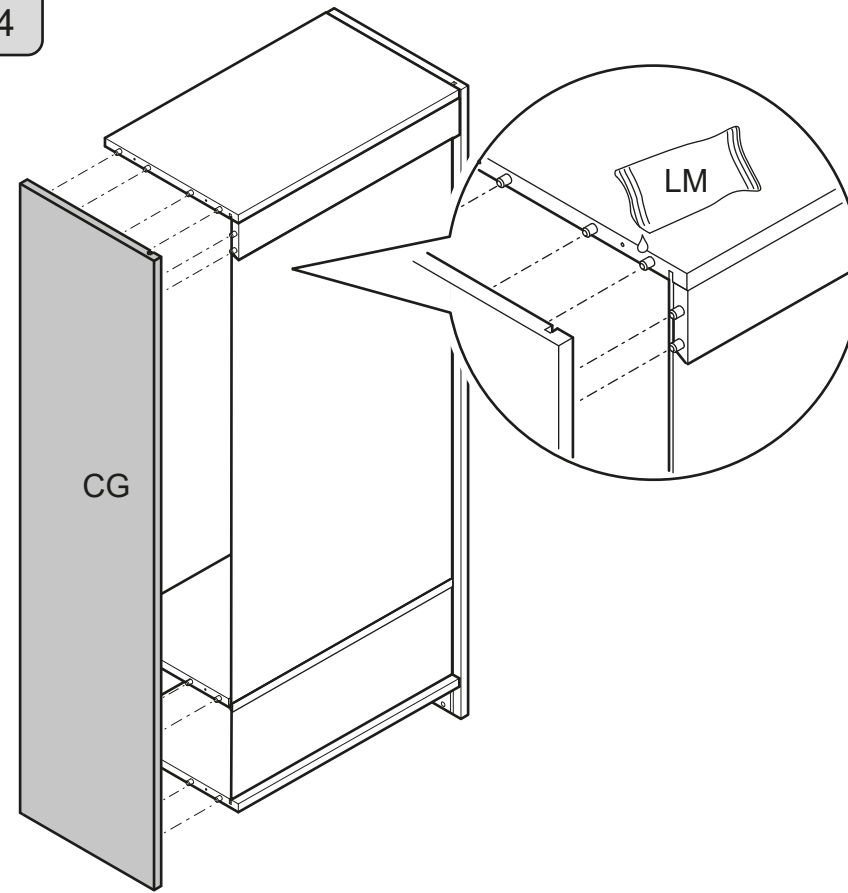
2



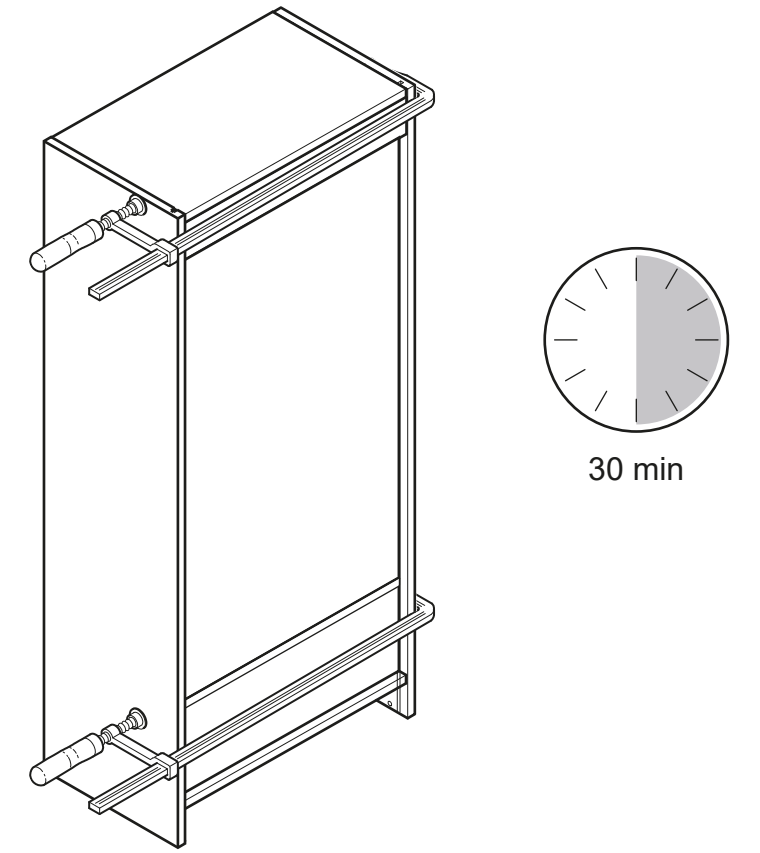
3



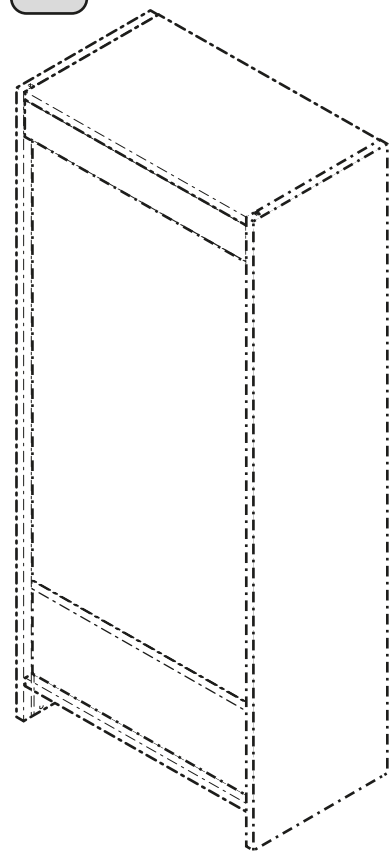
4



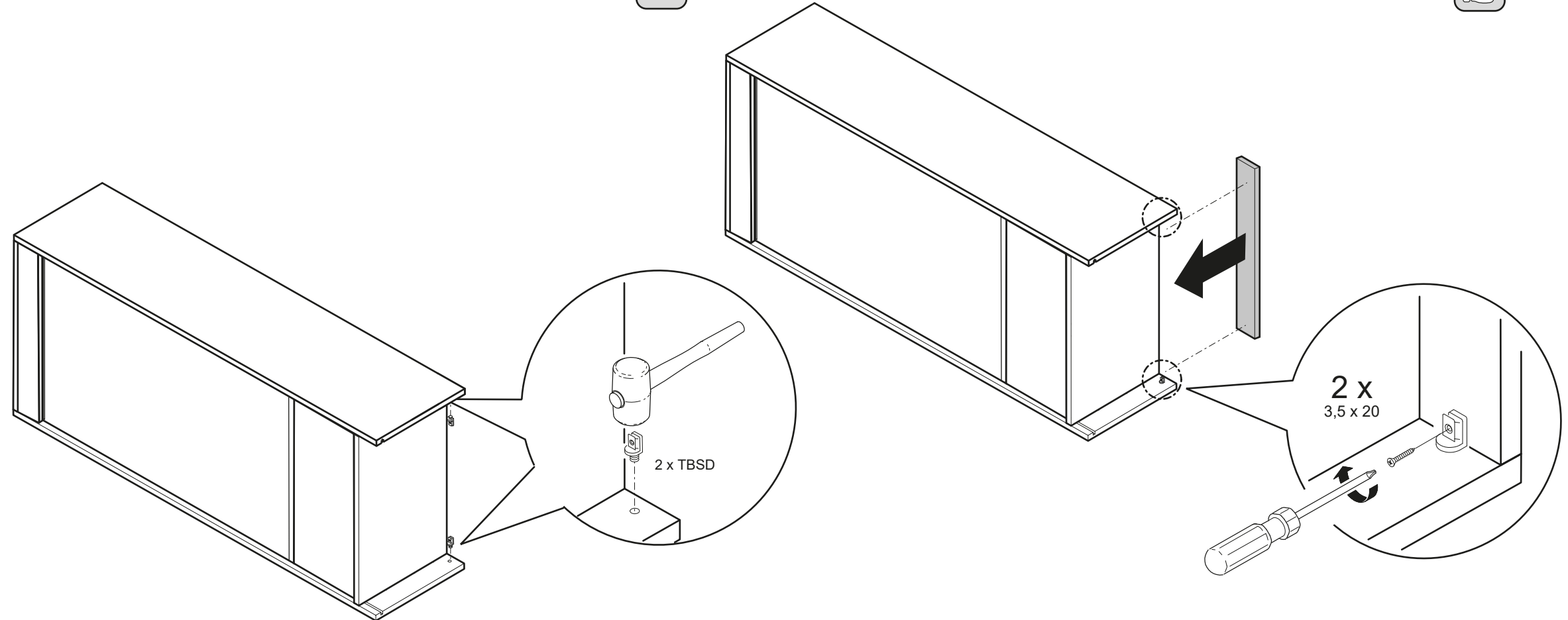
5



6

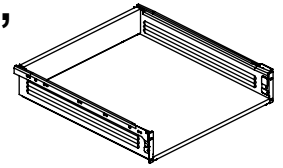


7

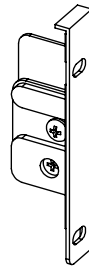
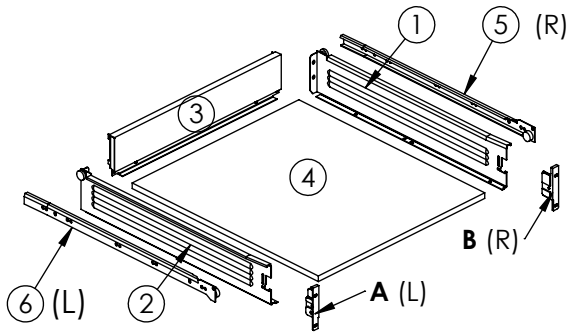




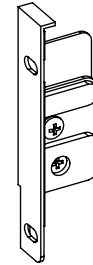
# SML23, SML24, SML25, SML30, SML40, SML50, SML60, SML80, SML100, SMVL60, SMLV80, SMVL100



SV048



A (L) x 1



B (R) x 1



C x 4



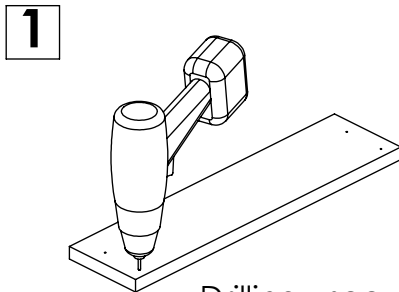
D x 4



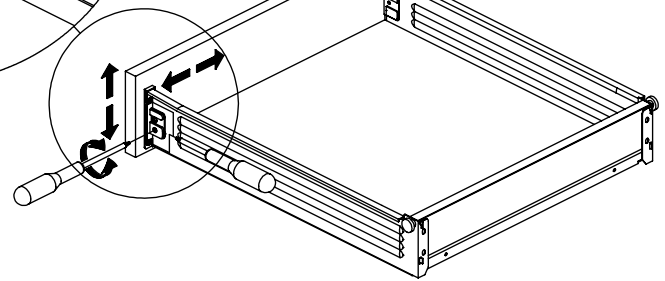
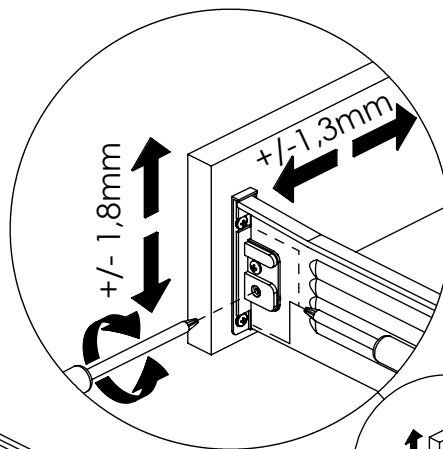
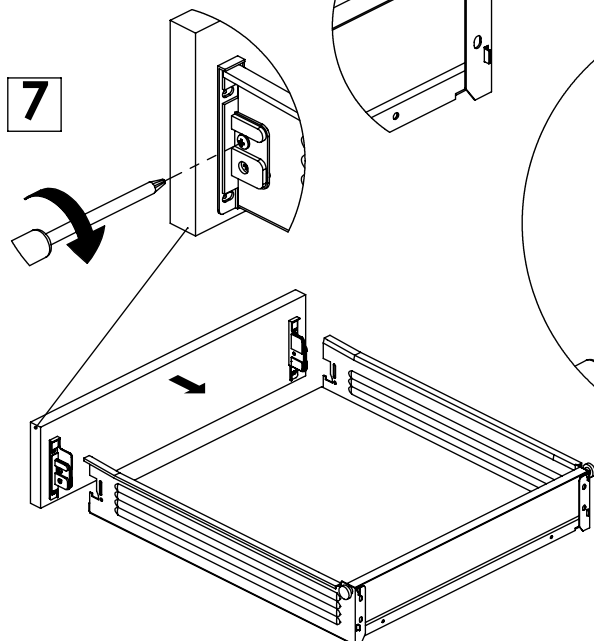
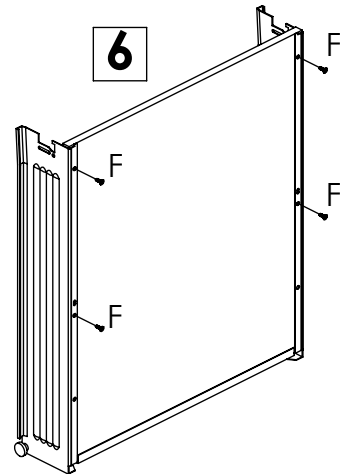
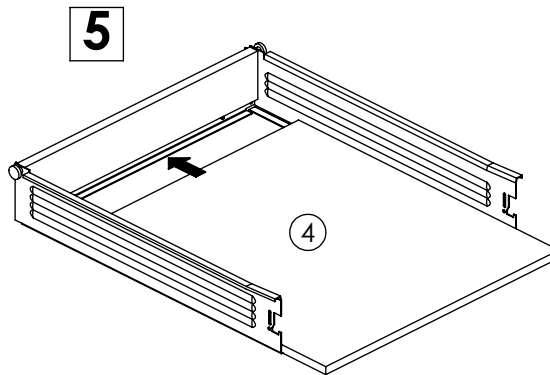
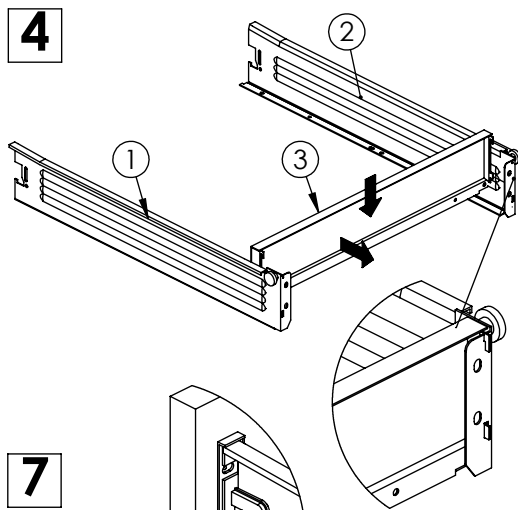
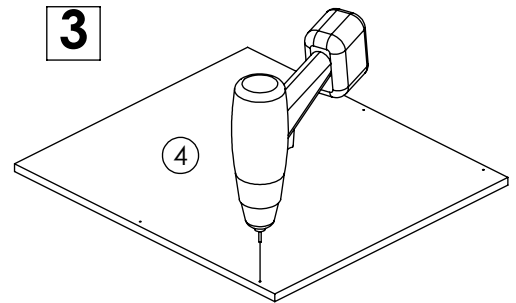
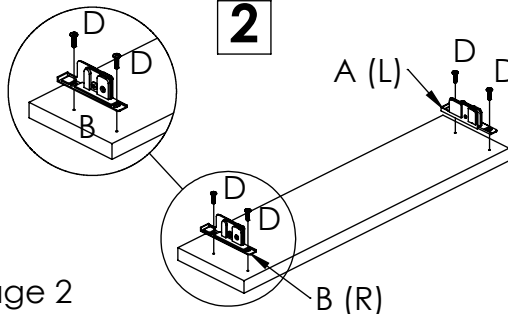
E x 6  
3,5x15



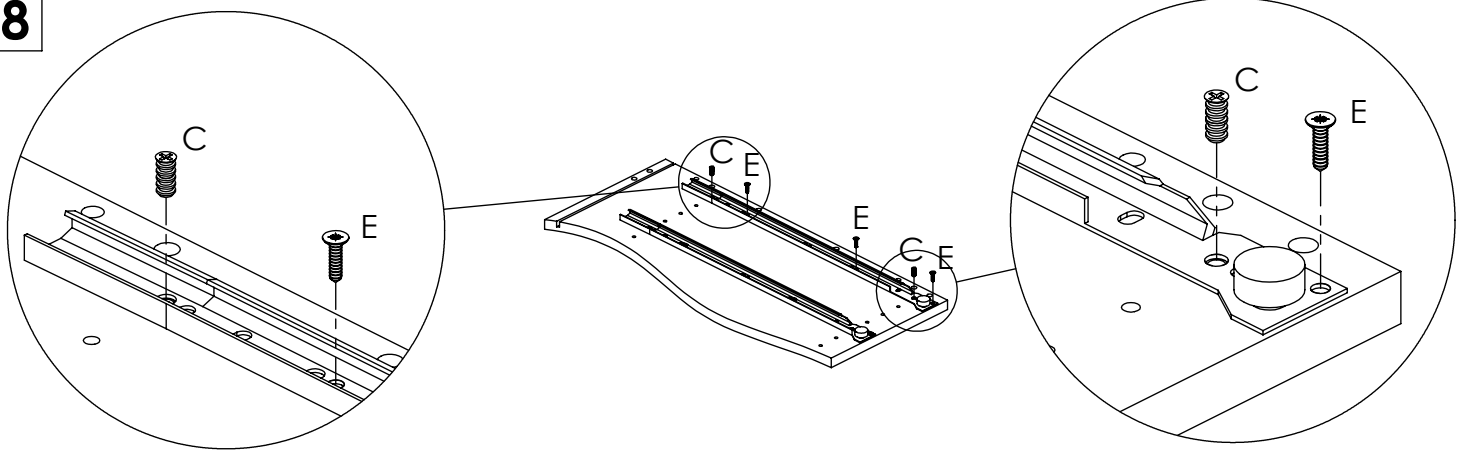
F x 4  
3,5x12



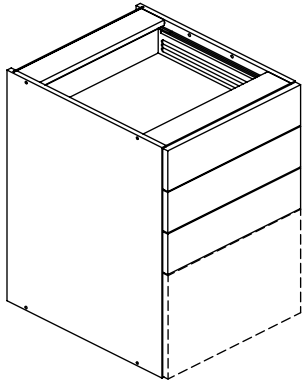
Drilling - see page 2



8

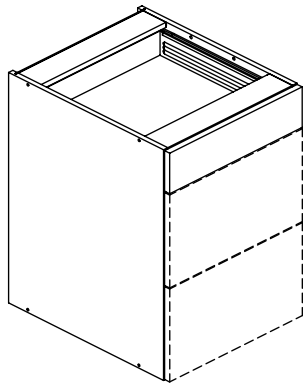
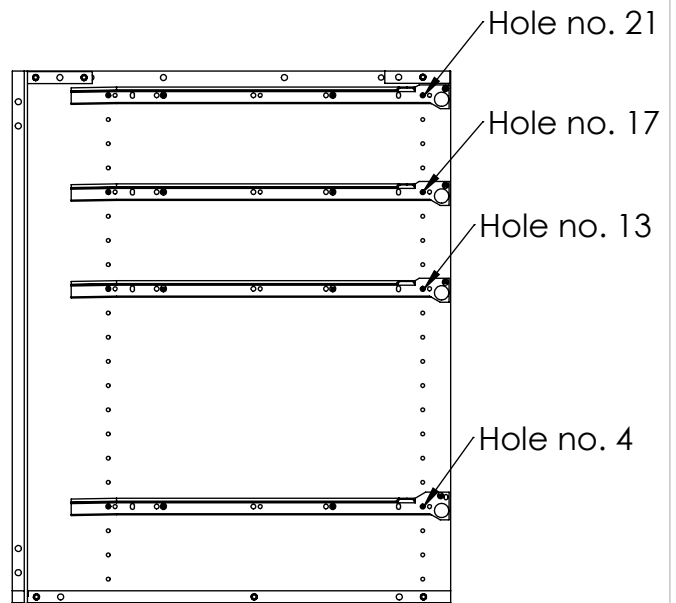


## Drilling of drawer front and placement of drawer runners



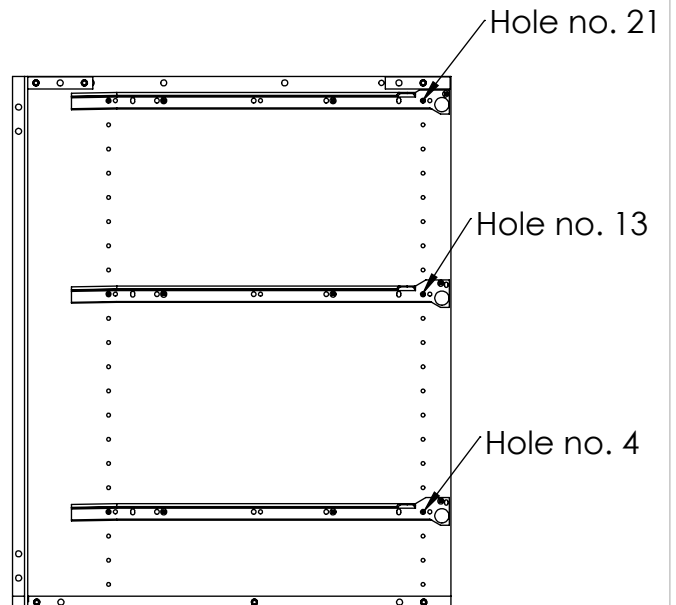
All holes drilled  $\varnothing 2$

Skabelon M10	124
Skabelon M10	124
Skabelon M10	124

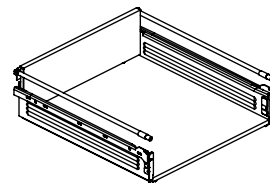


All holes drilled  $\varnothing 2$

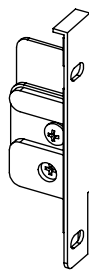
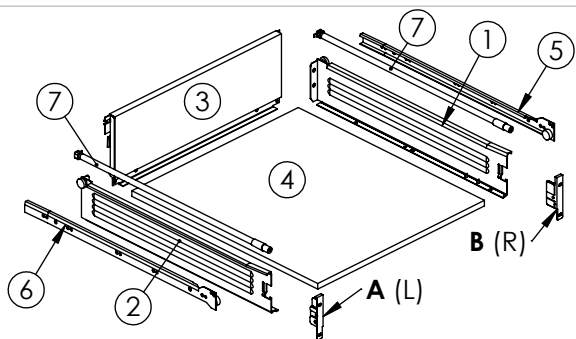
Skabelon M10	124
--------------	-----



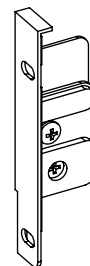
# SMH30, SMH40, SMH50, SMH60, SMH80, SMH100



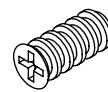
SV049



A (L) x 1



B (R) x 1



C x 4



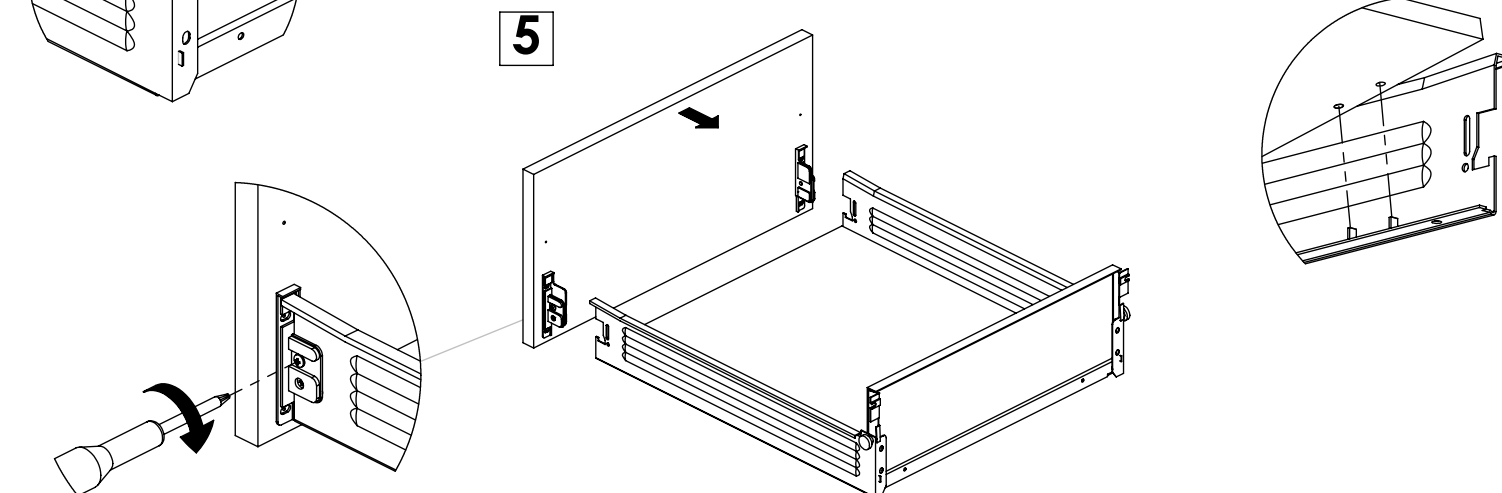
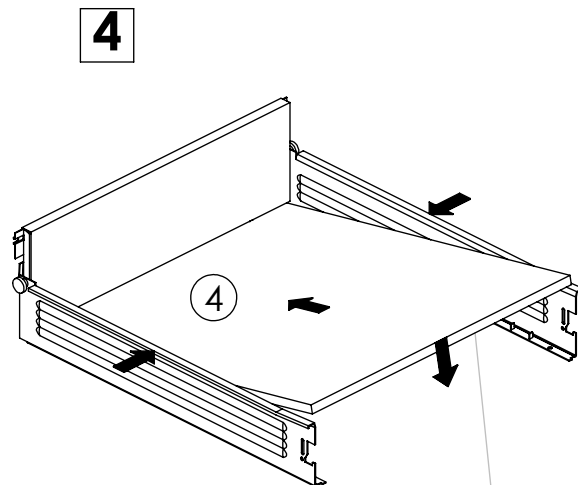
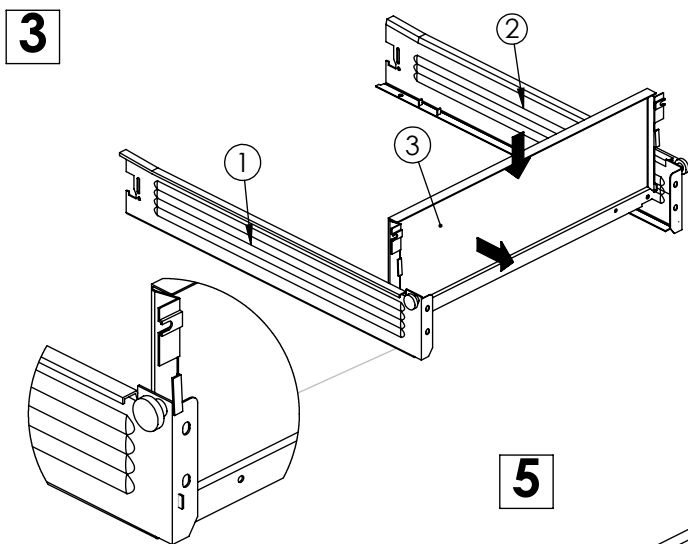
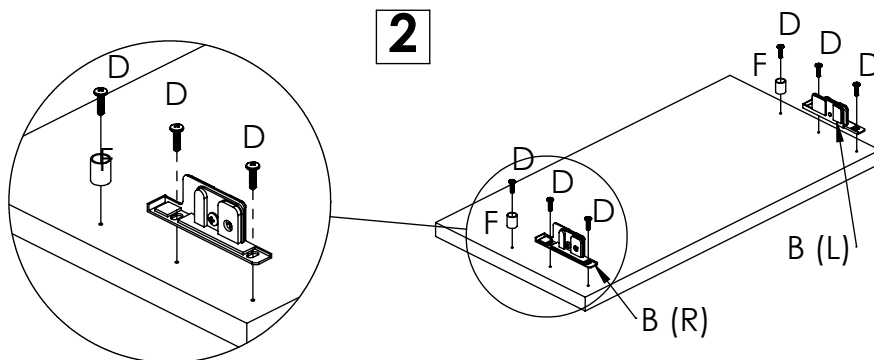
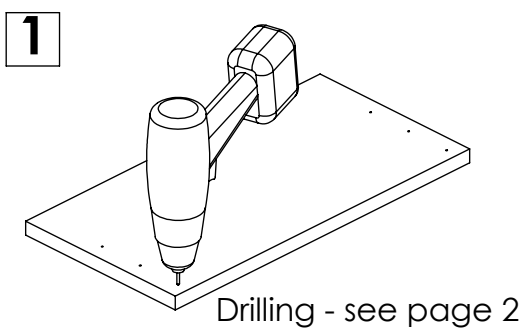
D x 4



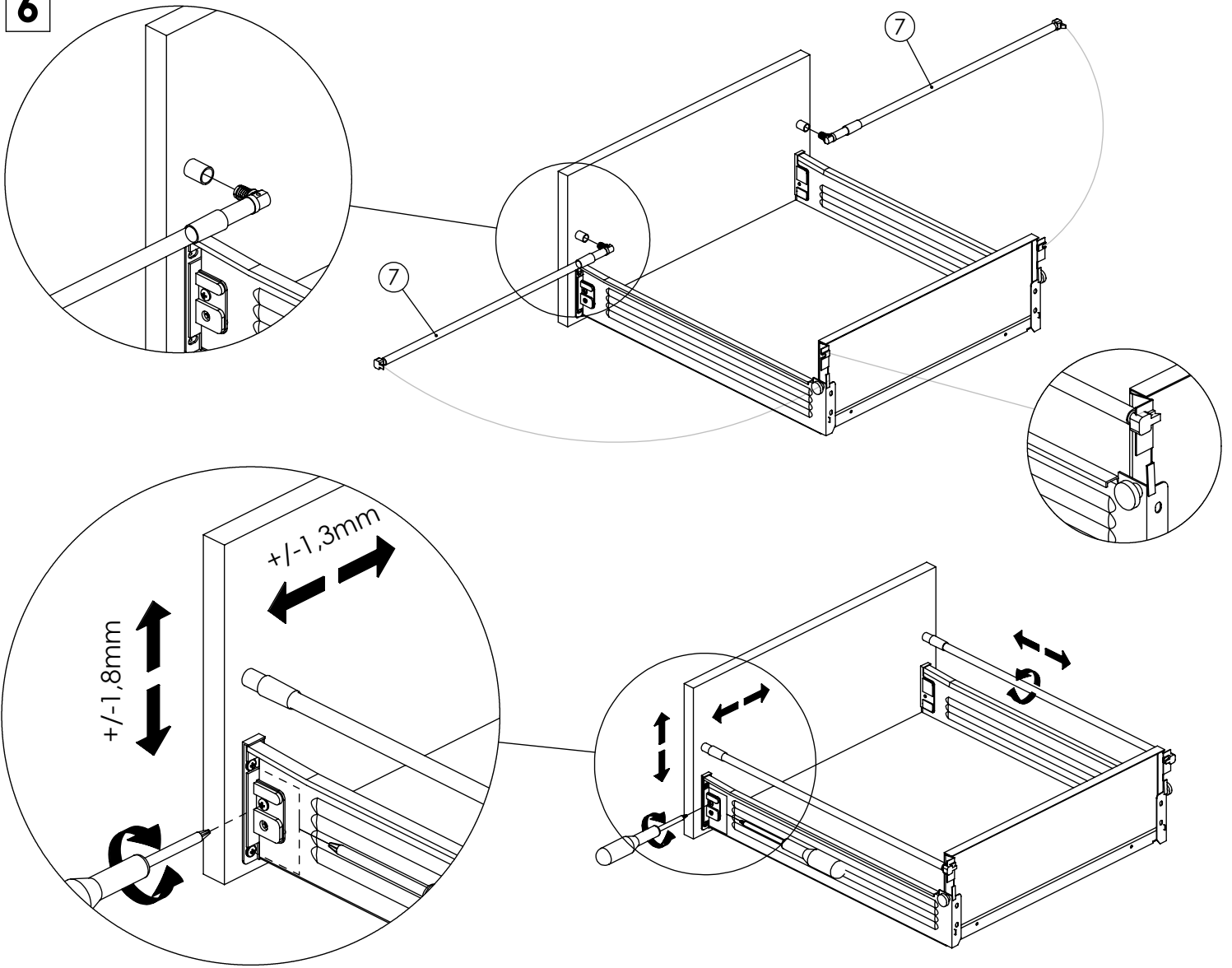
E x 6



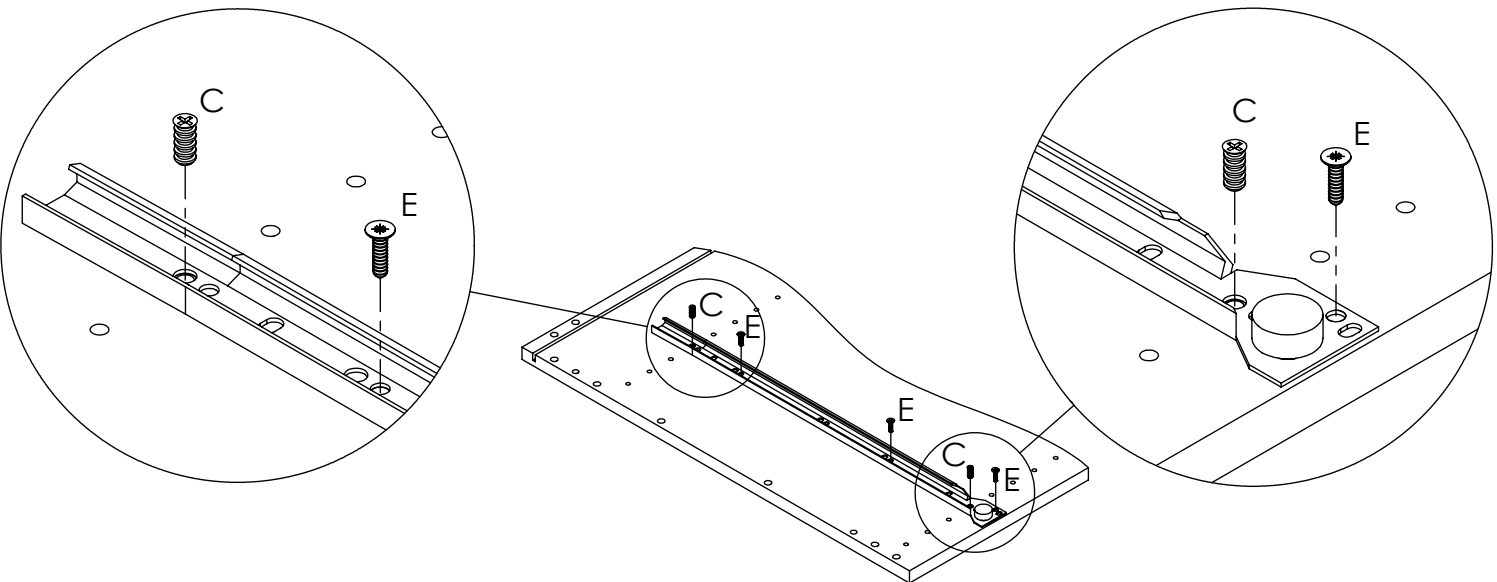
F x 2



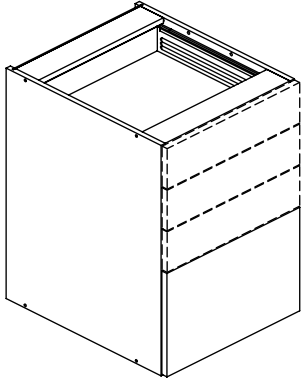
6



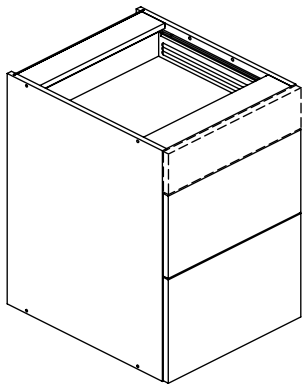
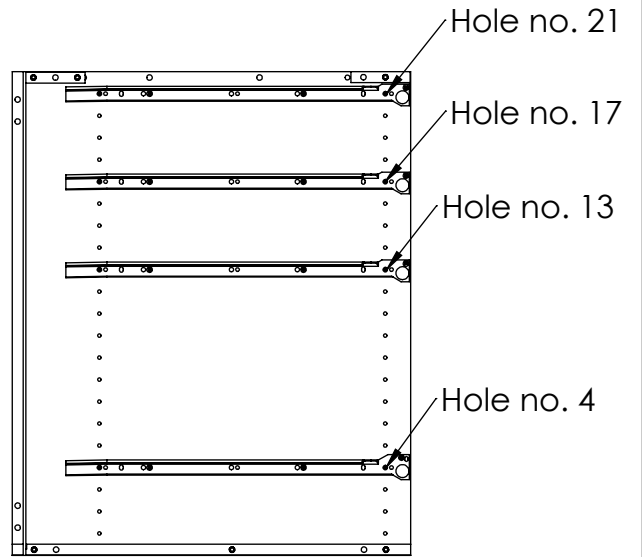
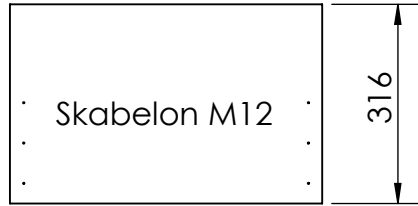
7



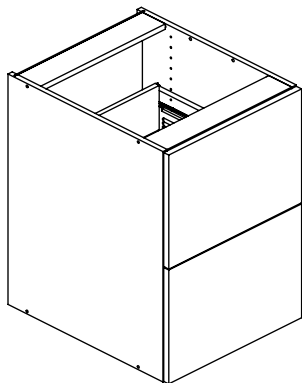
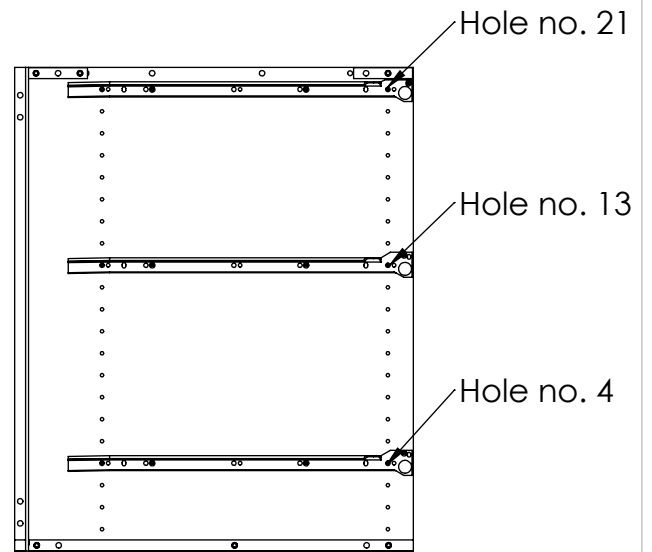
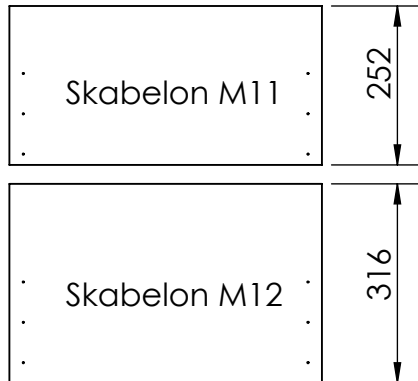
# Drilling of drawer front and placement of drawer runners



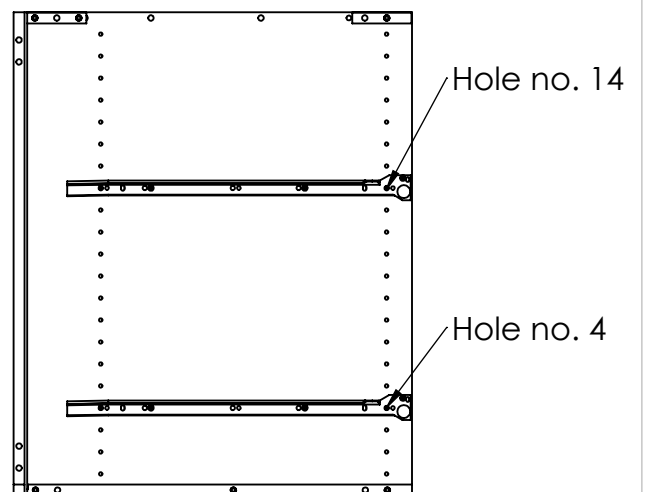
All holes drilled  $\varnothing 2$



All holes drilled  $\varnothing 2$

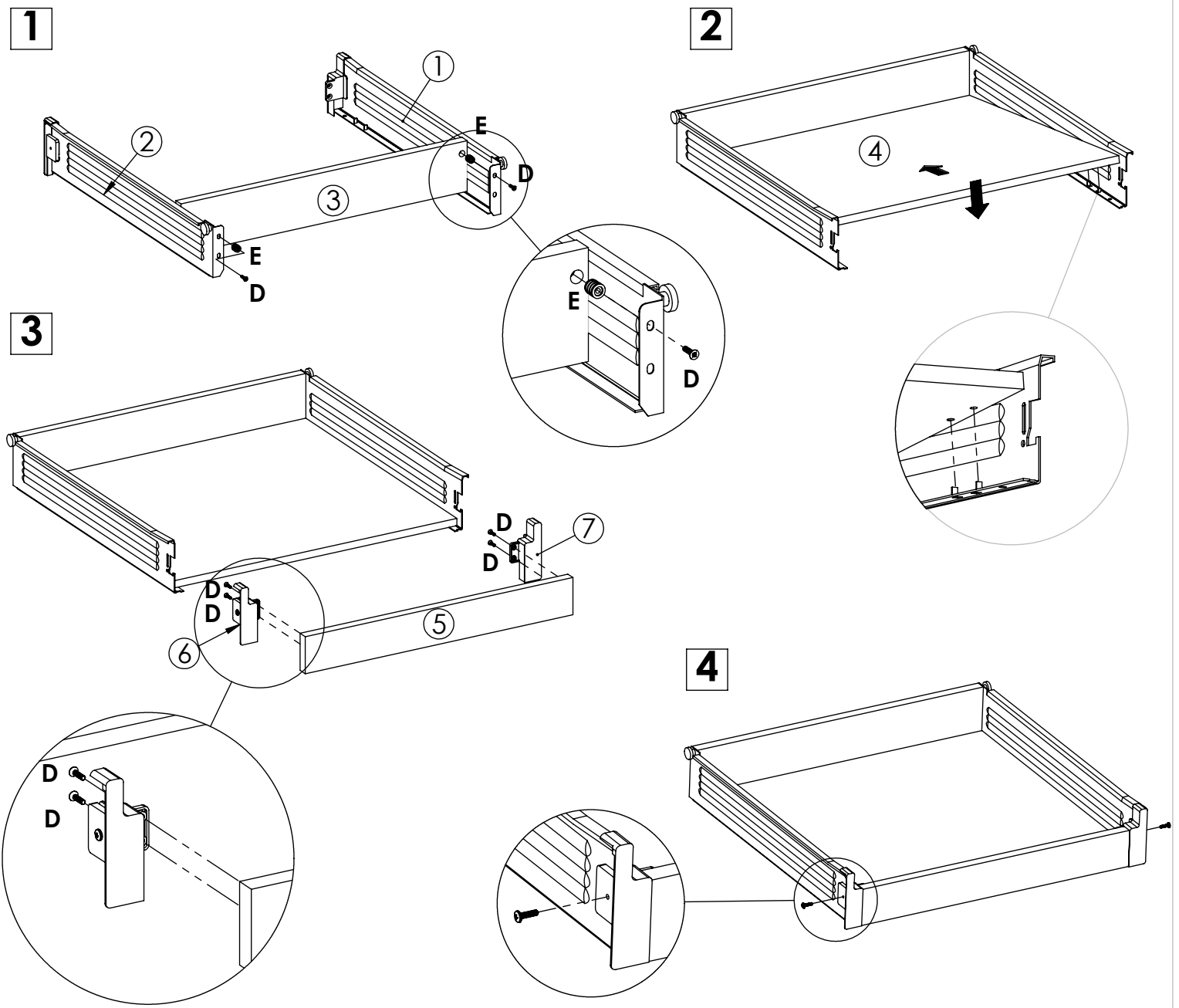
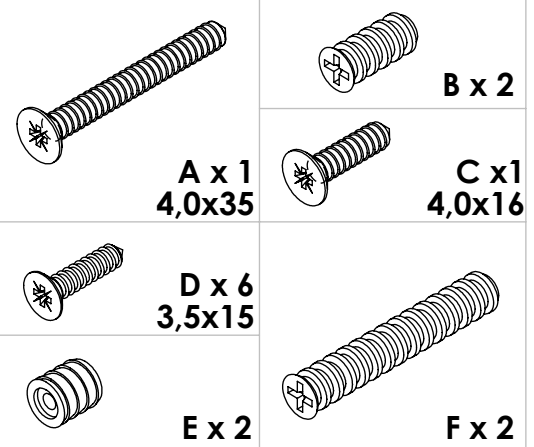
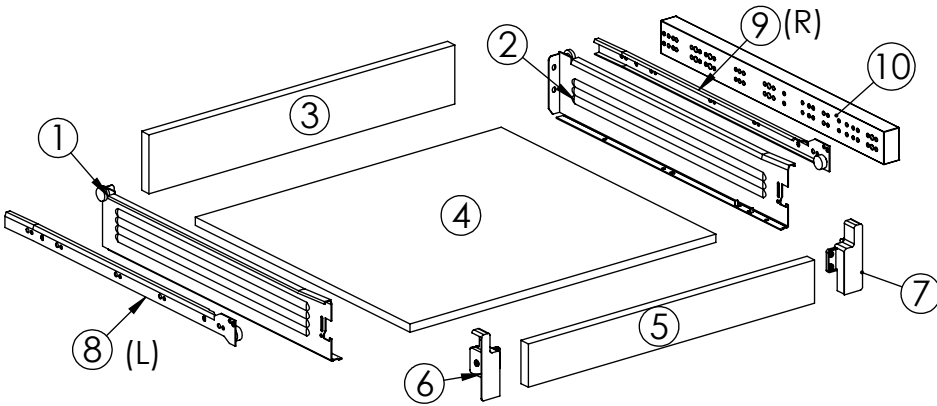
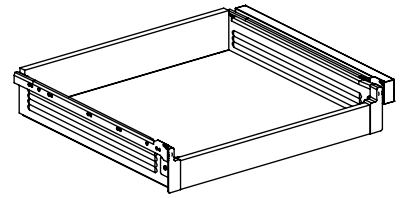


All holes drilled  $\varnothing 2$



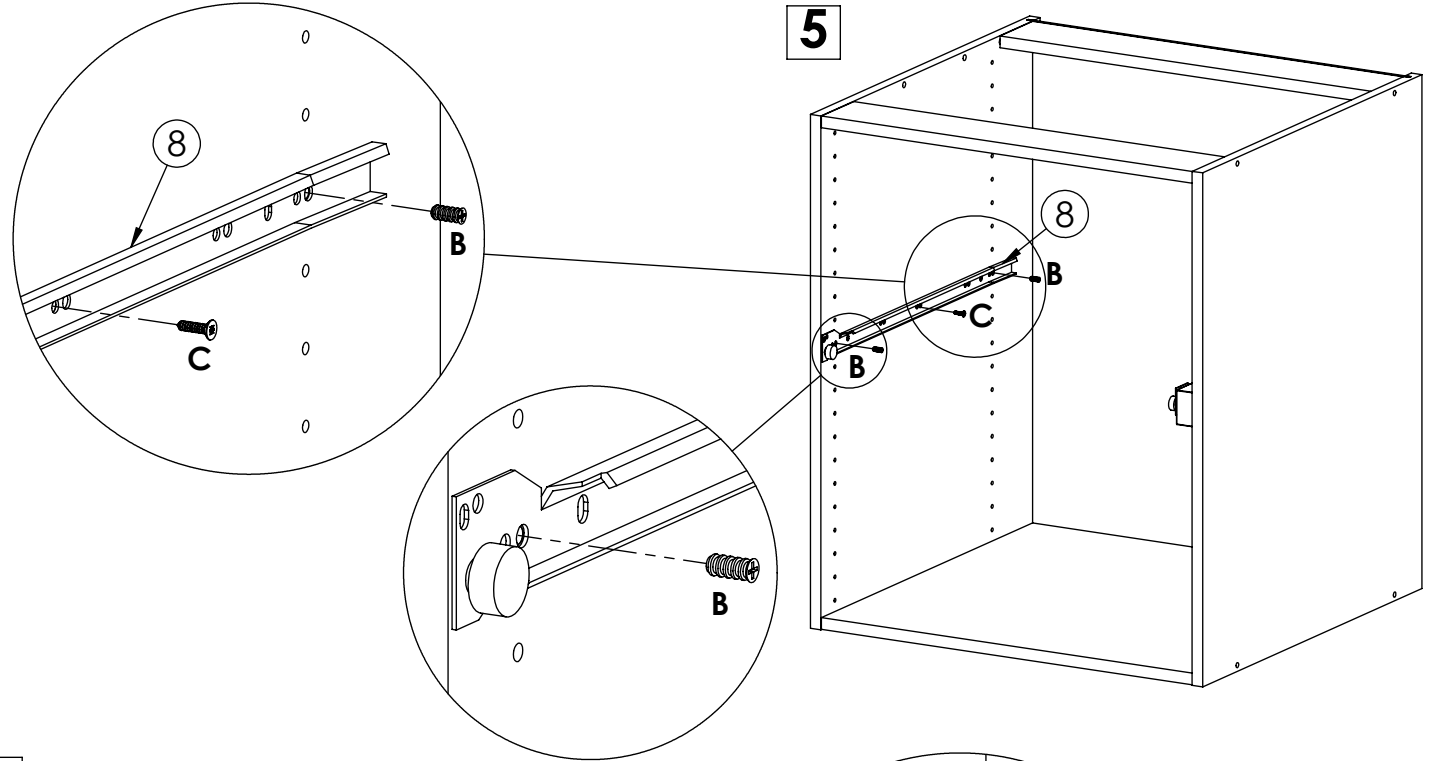
# SMIKL401, SMIKL501, SMIKL601, SMIKL801, SMIKL1001

SV050

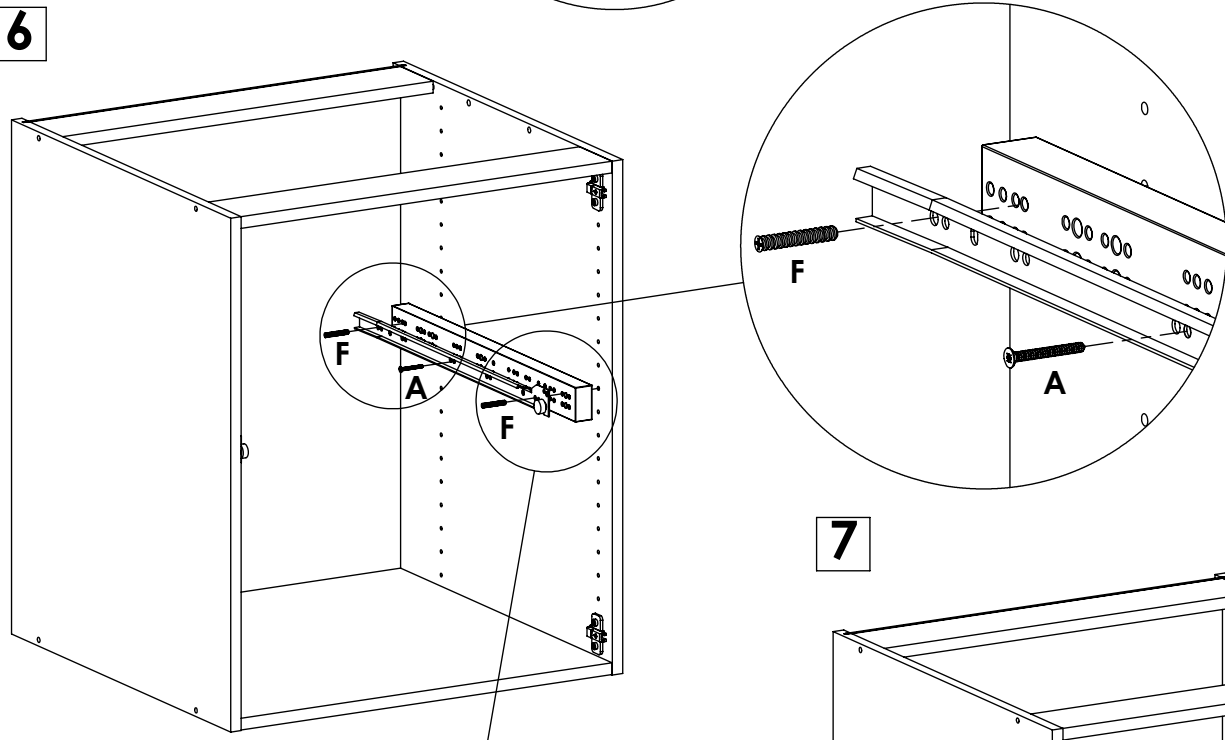




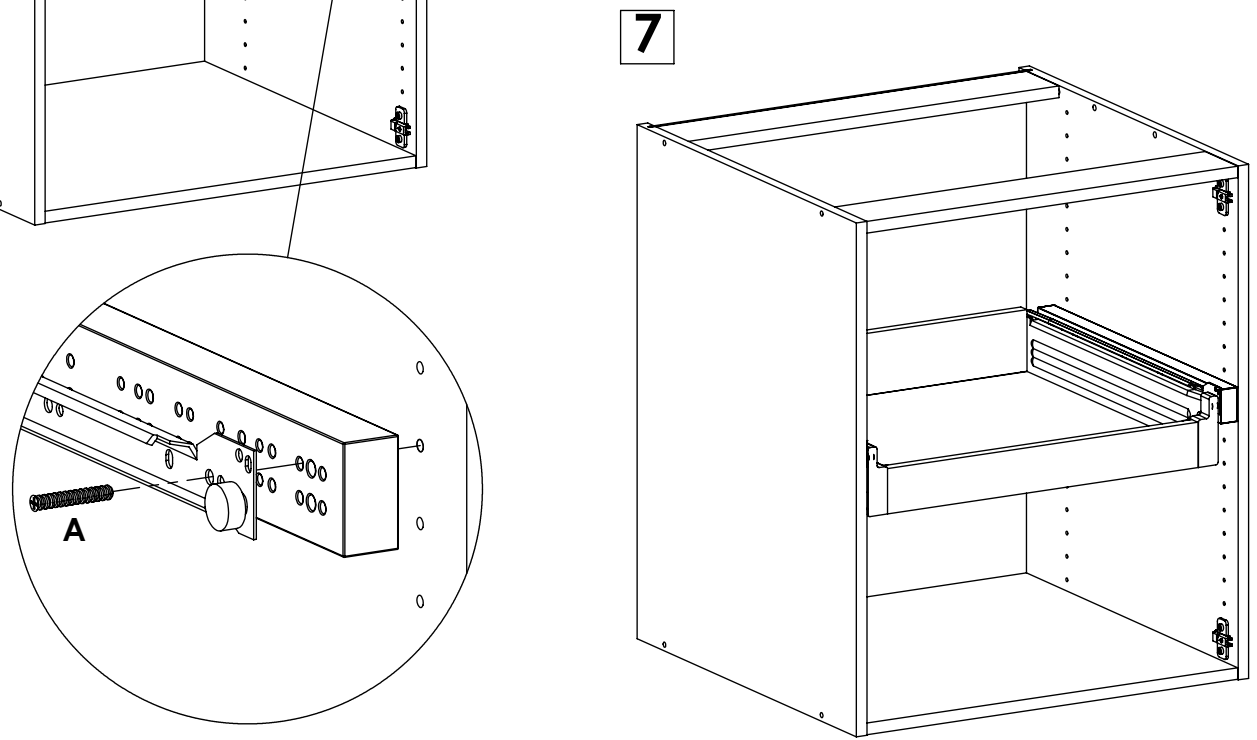
5



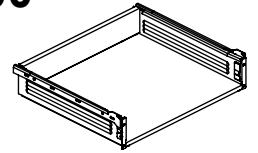
6



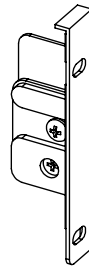
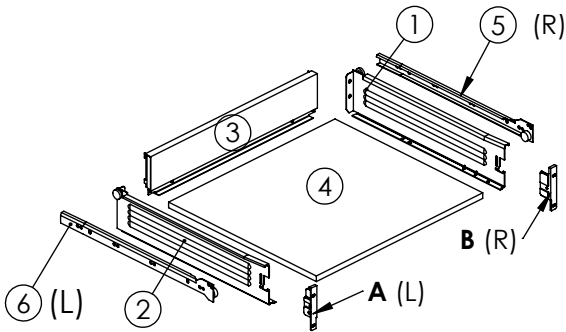
7



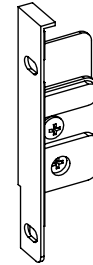
# SMBL30, SMBL40, SMBL50, SMBL60, SMBL80, SMBL100



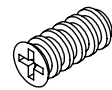
SV051



A (L) x 1



B (R) x 1



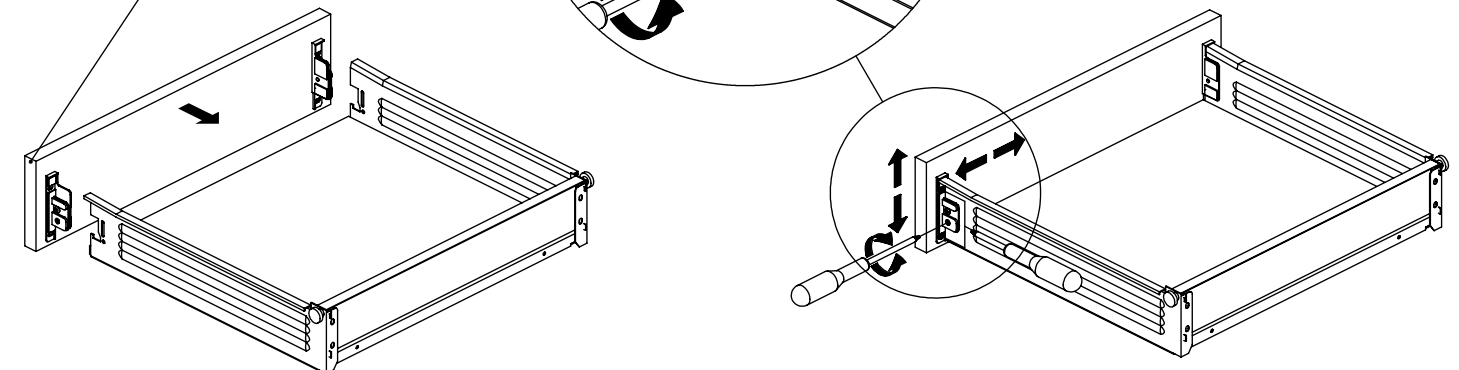
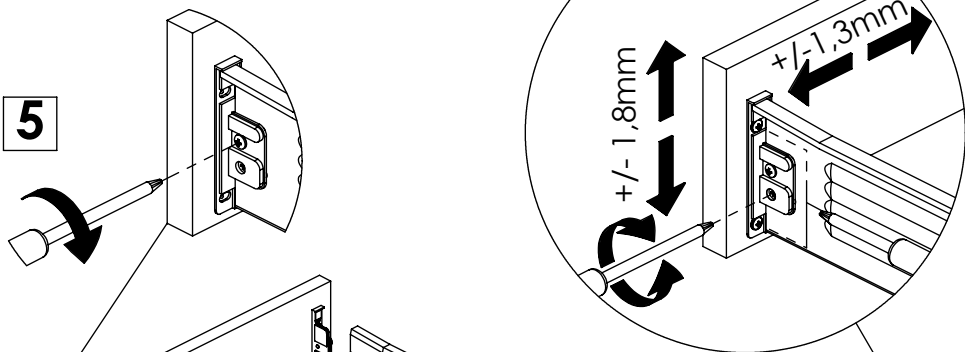
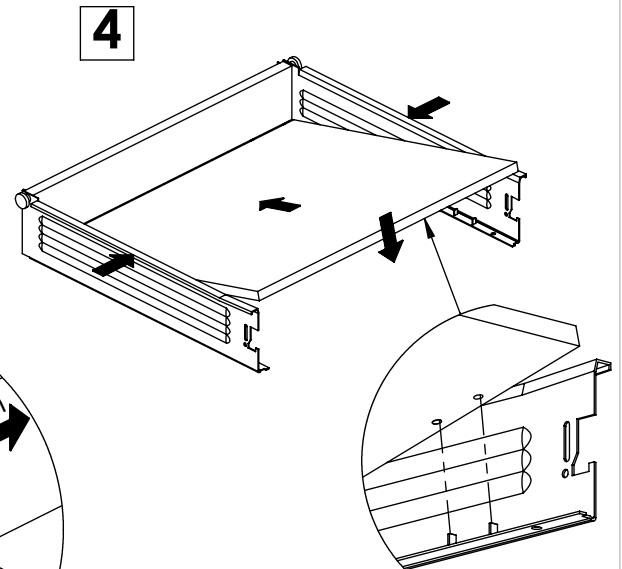
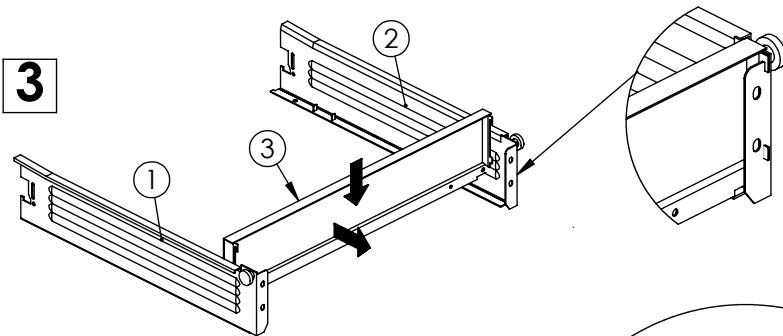
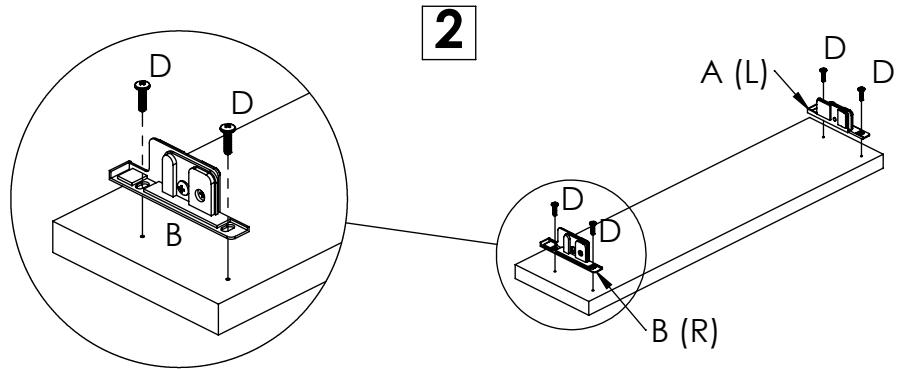
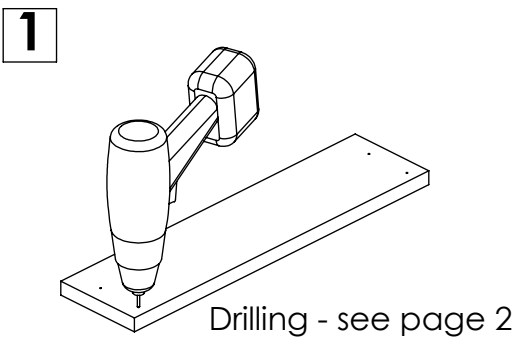
C x 4



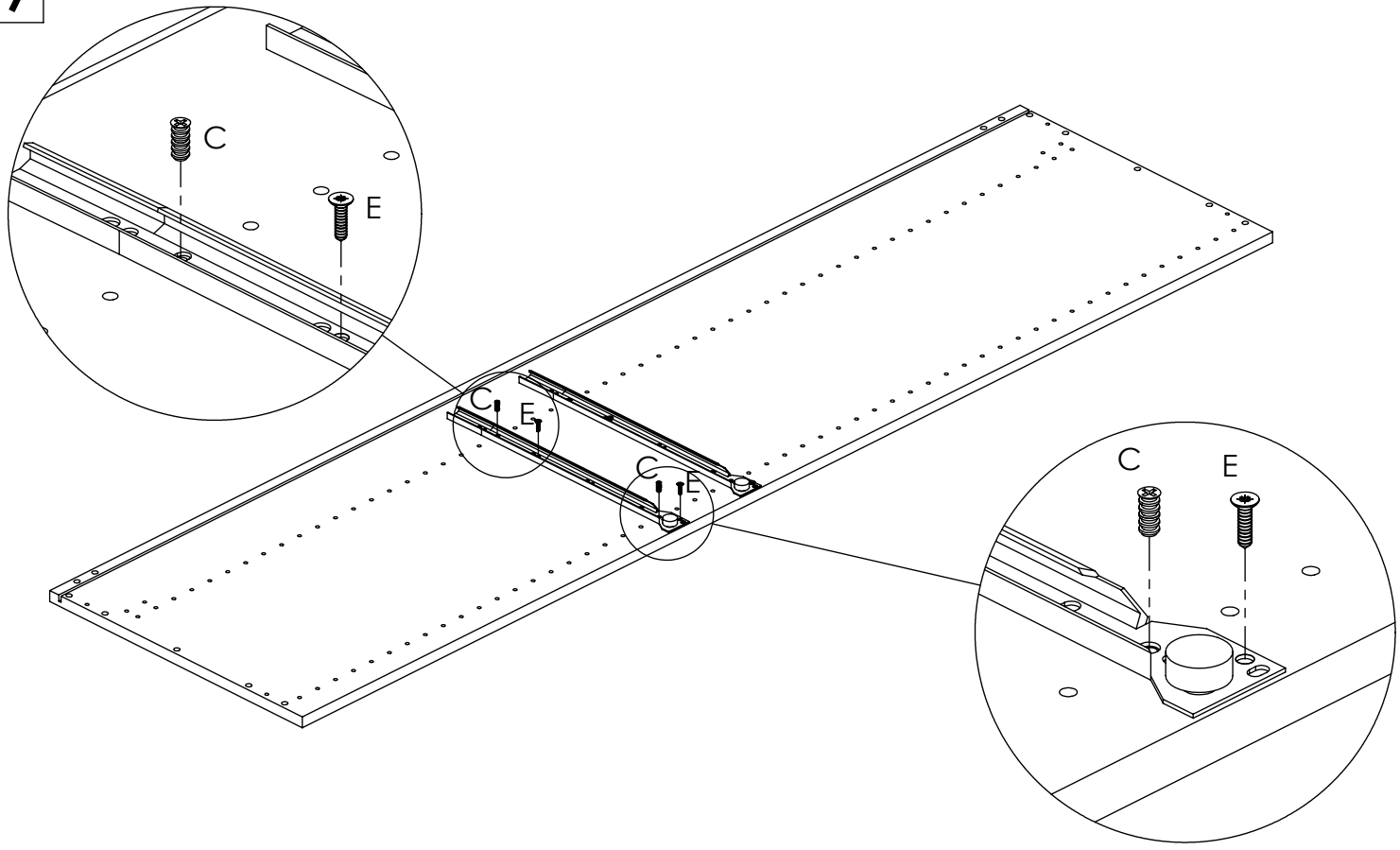
D x 4



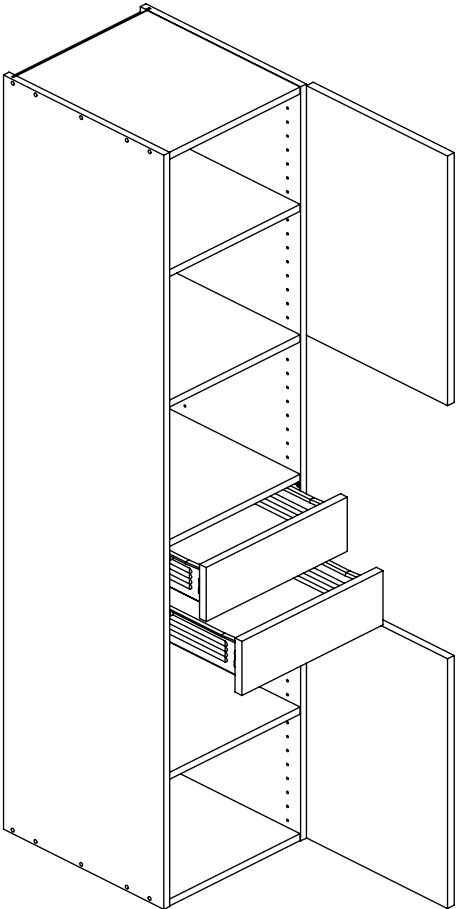
E x 4



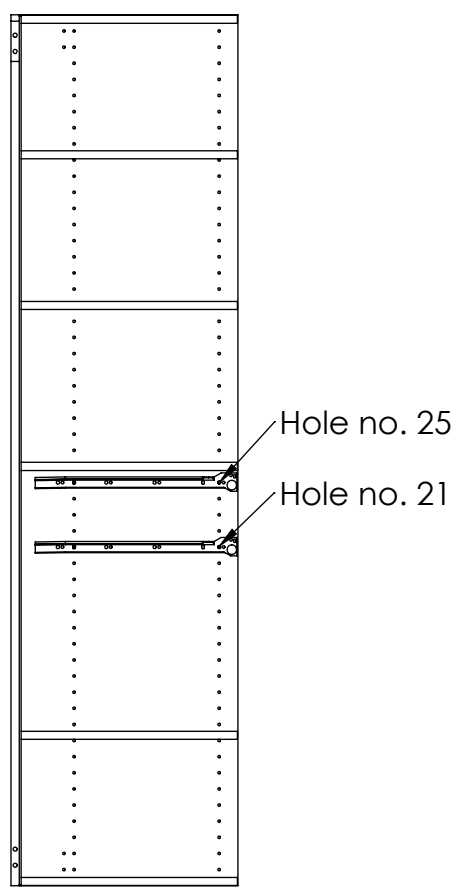
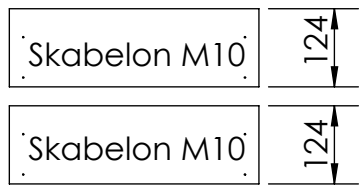
7



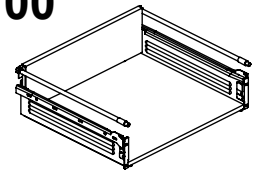
### Drilling of drawer front and placement of drawer runners



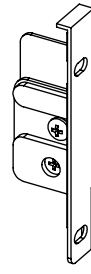
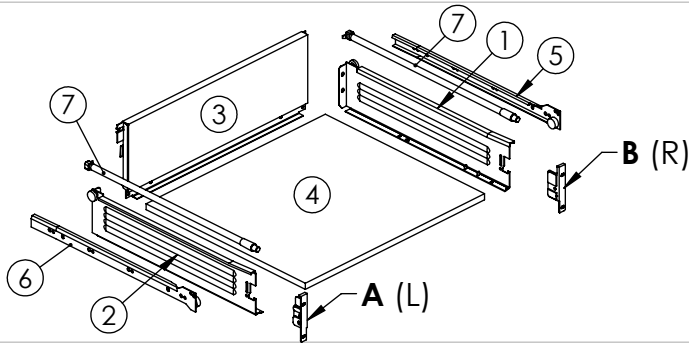
All holes drilled  $\varnothing 2$



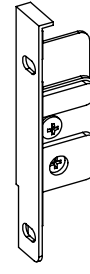
# SMBH30, SMBH40, SMBH50, SMBH60, SMBH80, SMBH100 SMVH60, SMVH80, SMVH100



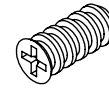
SV052



A (L) x 1



B (R) x 1



C x 4



D x 6

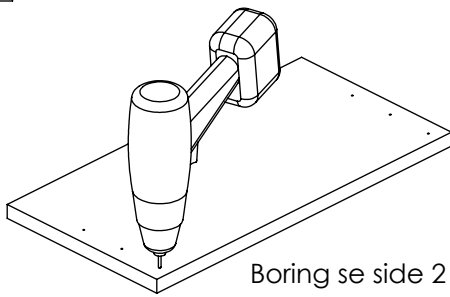


E x 4

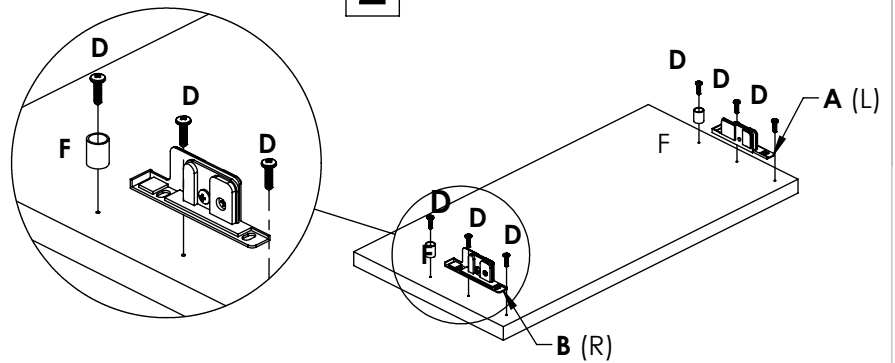


F x 2

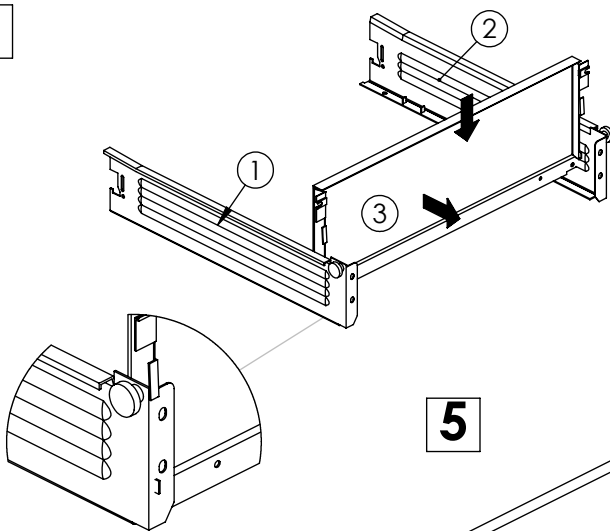
1



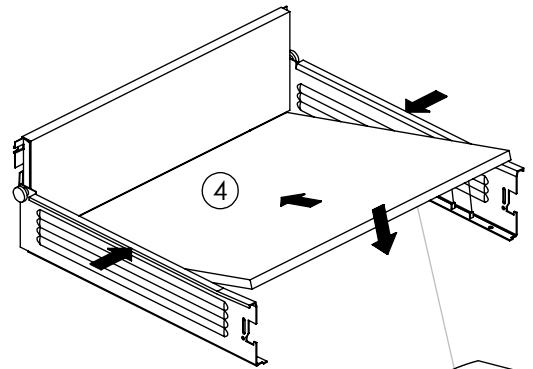
2



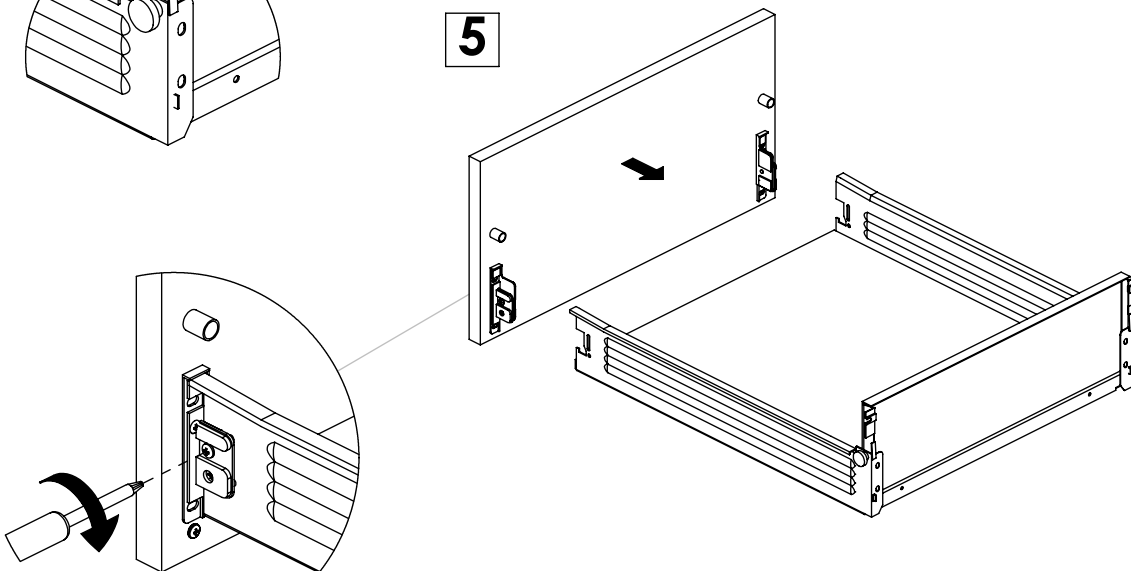
3



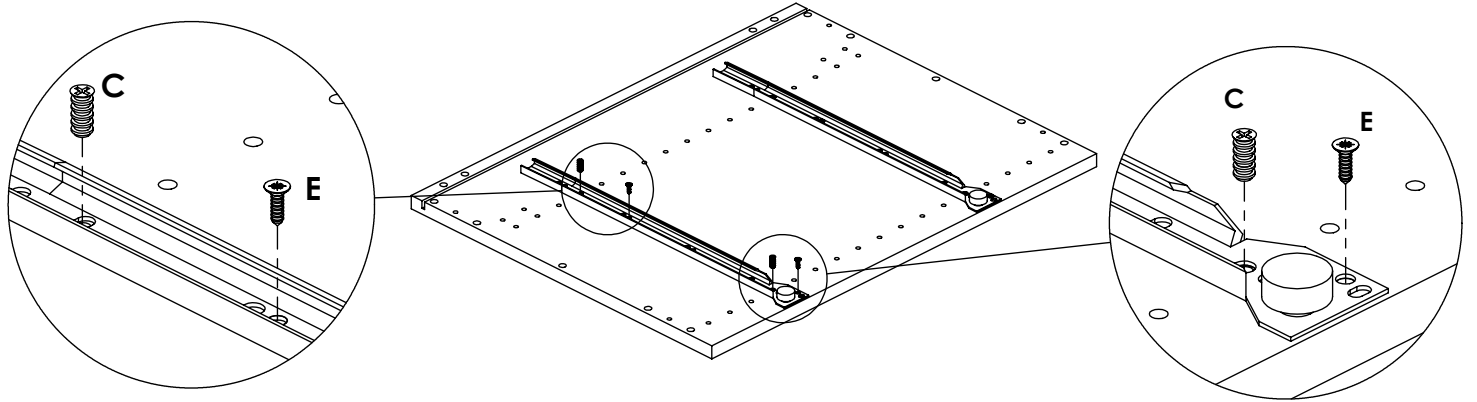
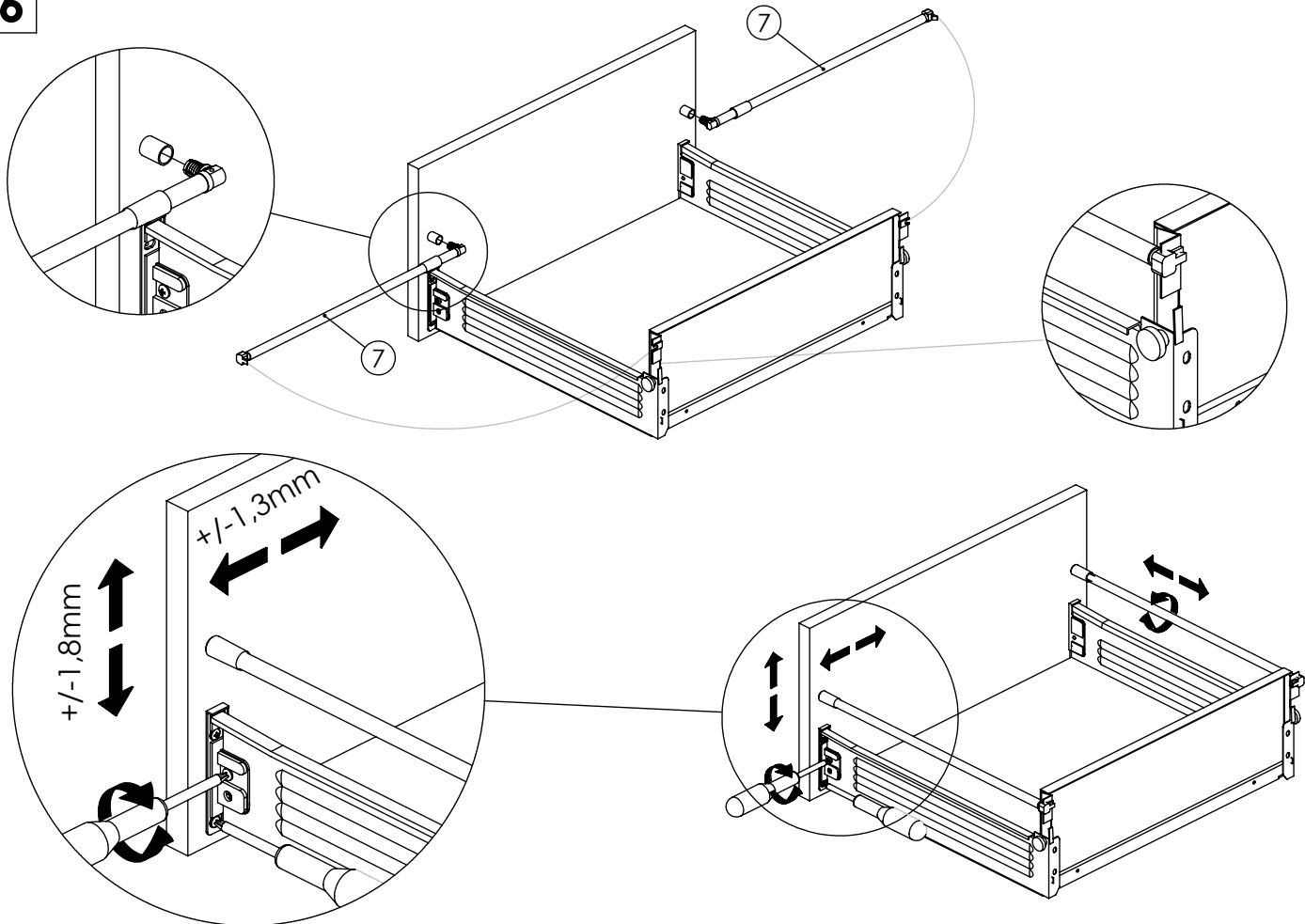
4



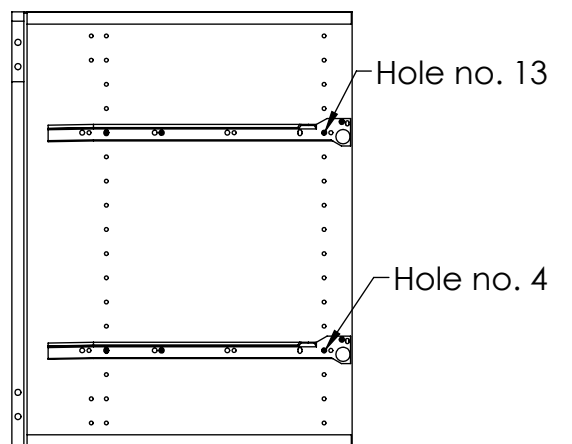
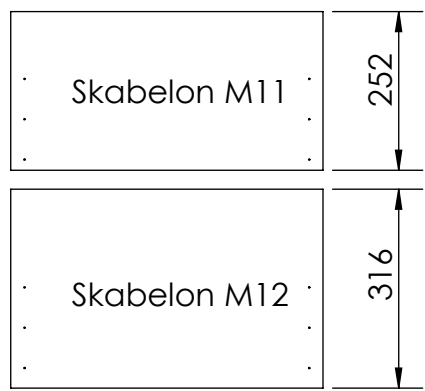
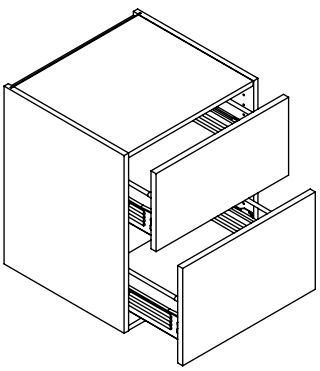
5



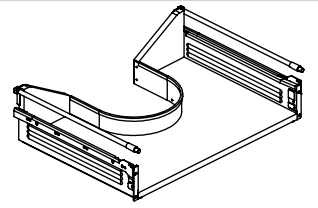
6



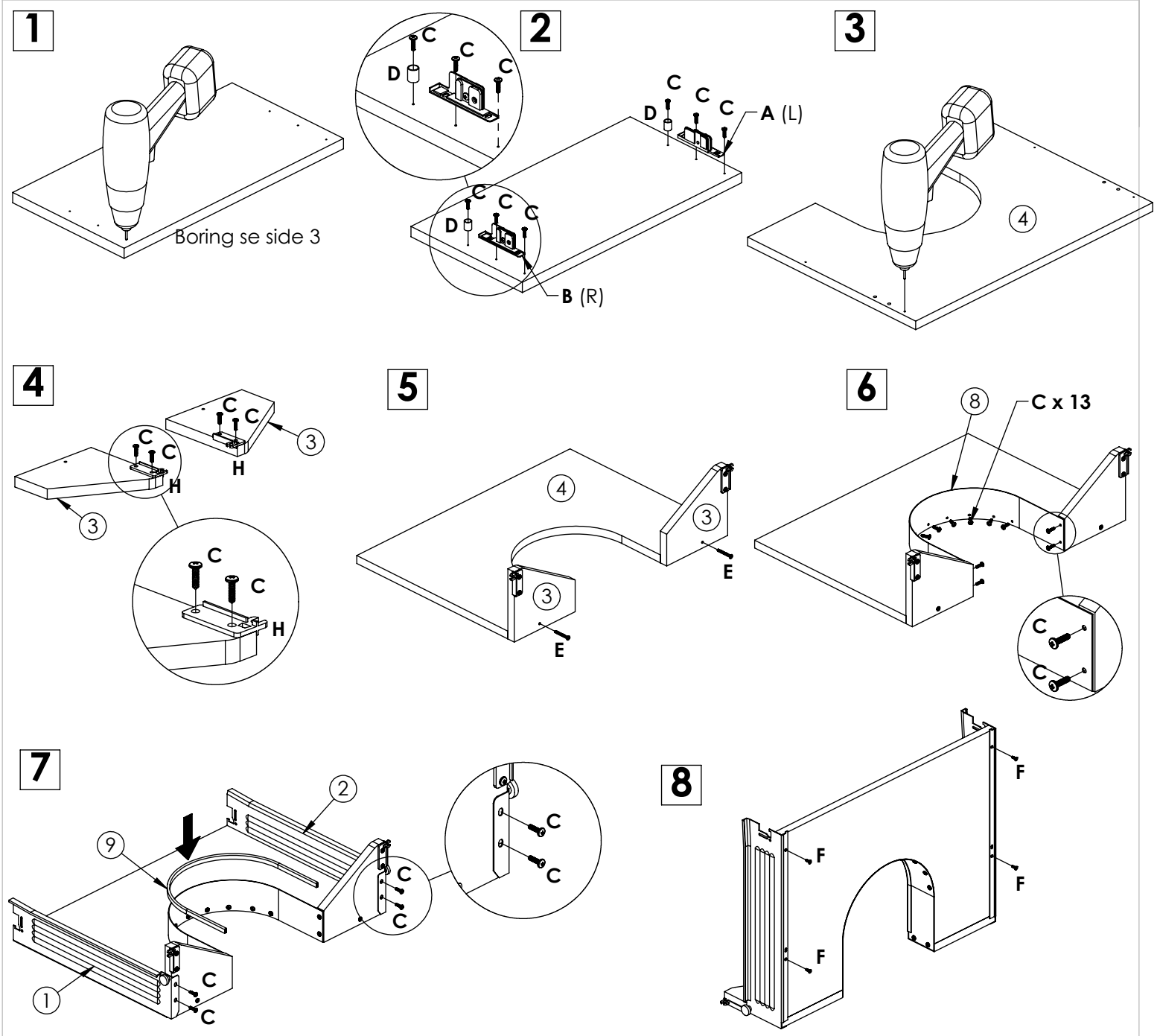
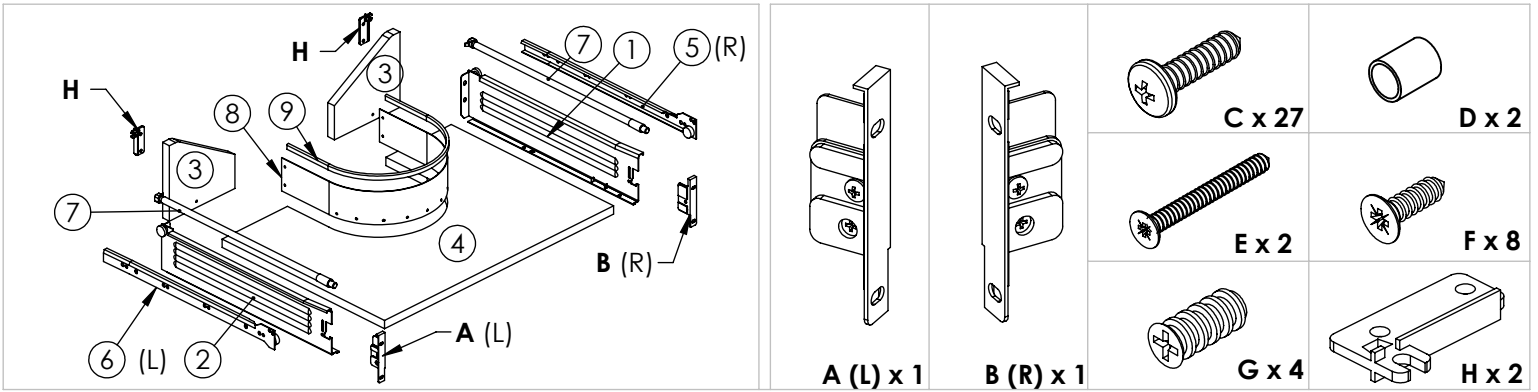
All holes drilled  $\varnothing 2$



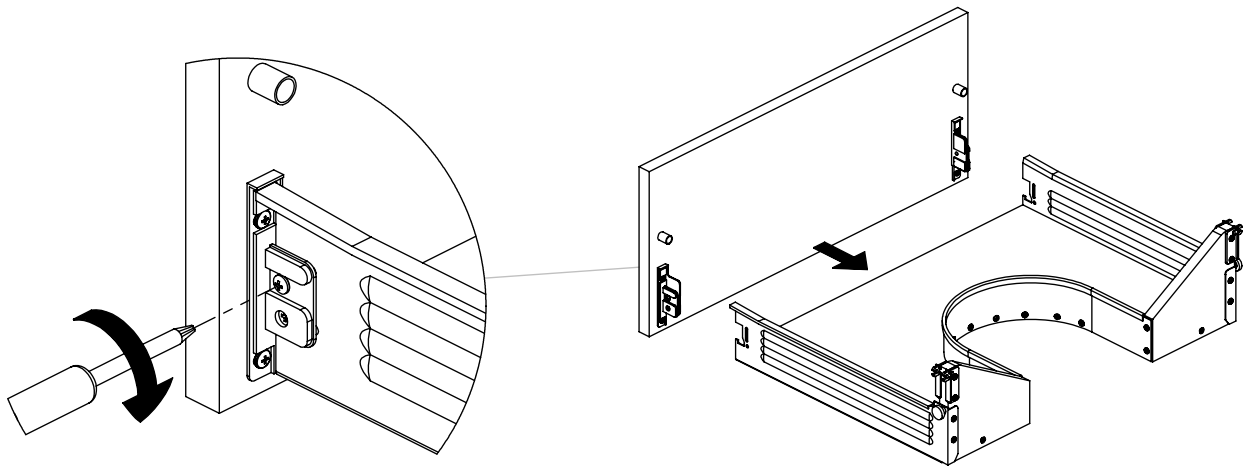
# SMBVH60, SMBVH80, SMBVH100



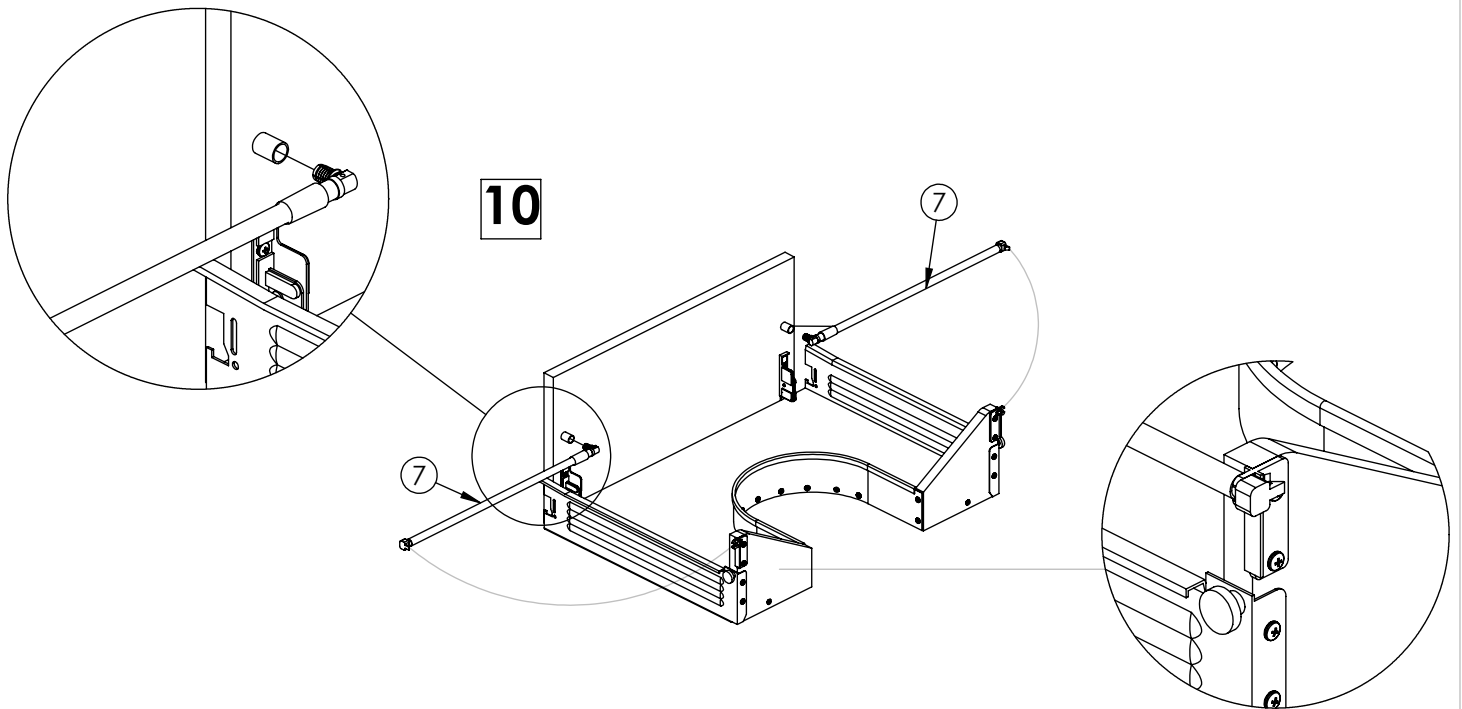
SV053



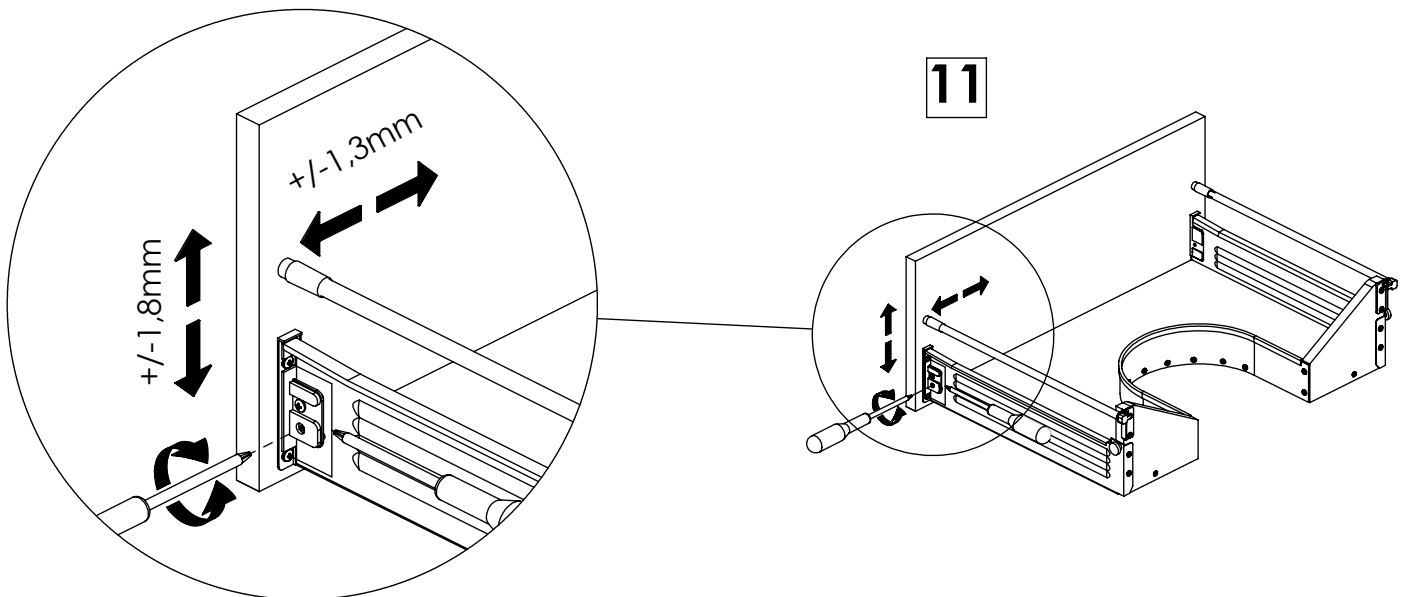
9



10

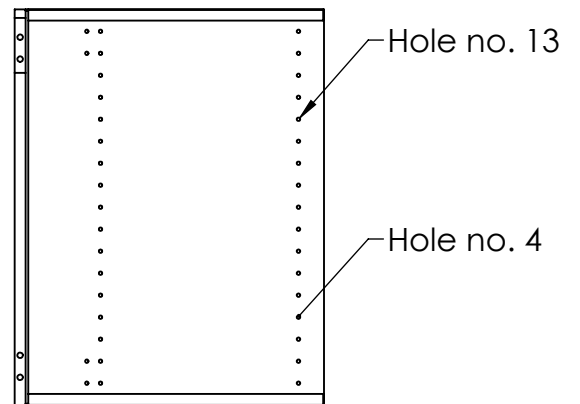
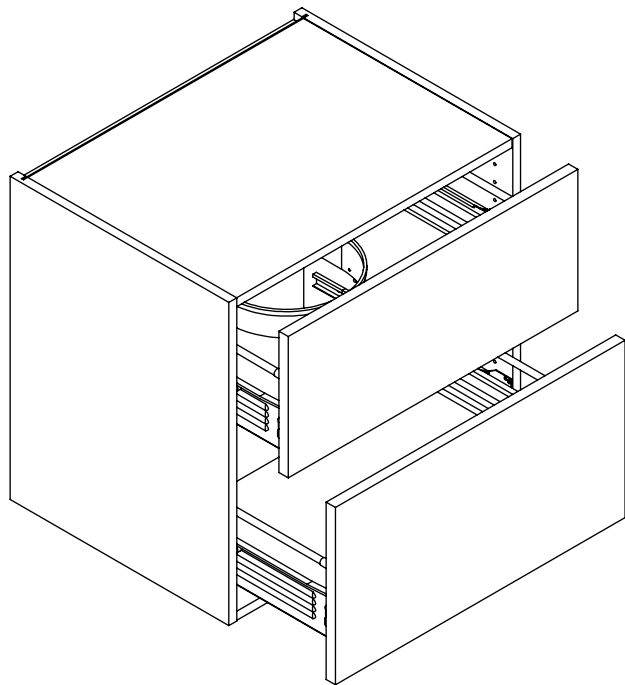
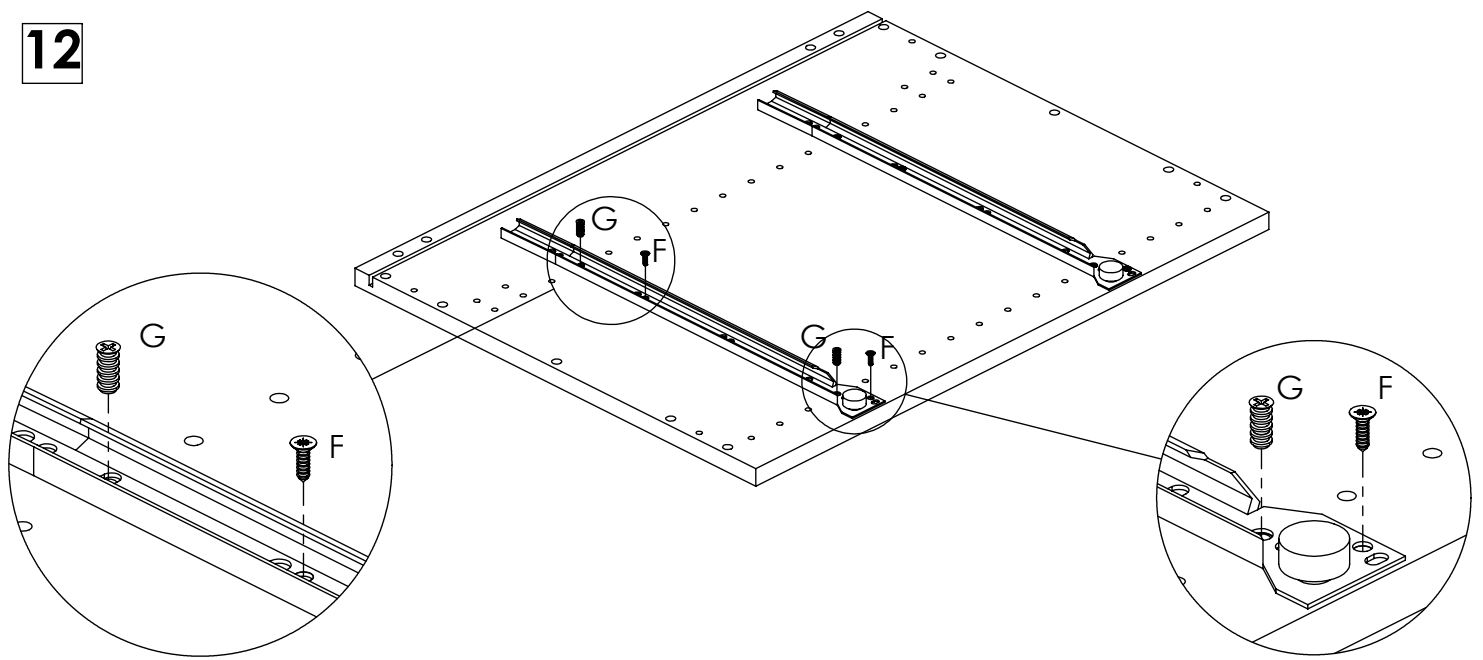


11



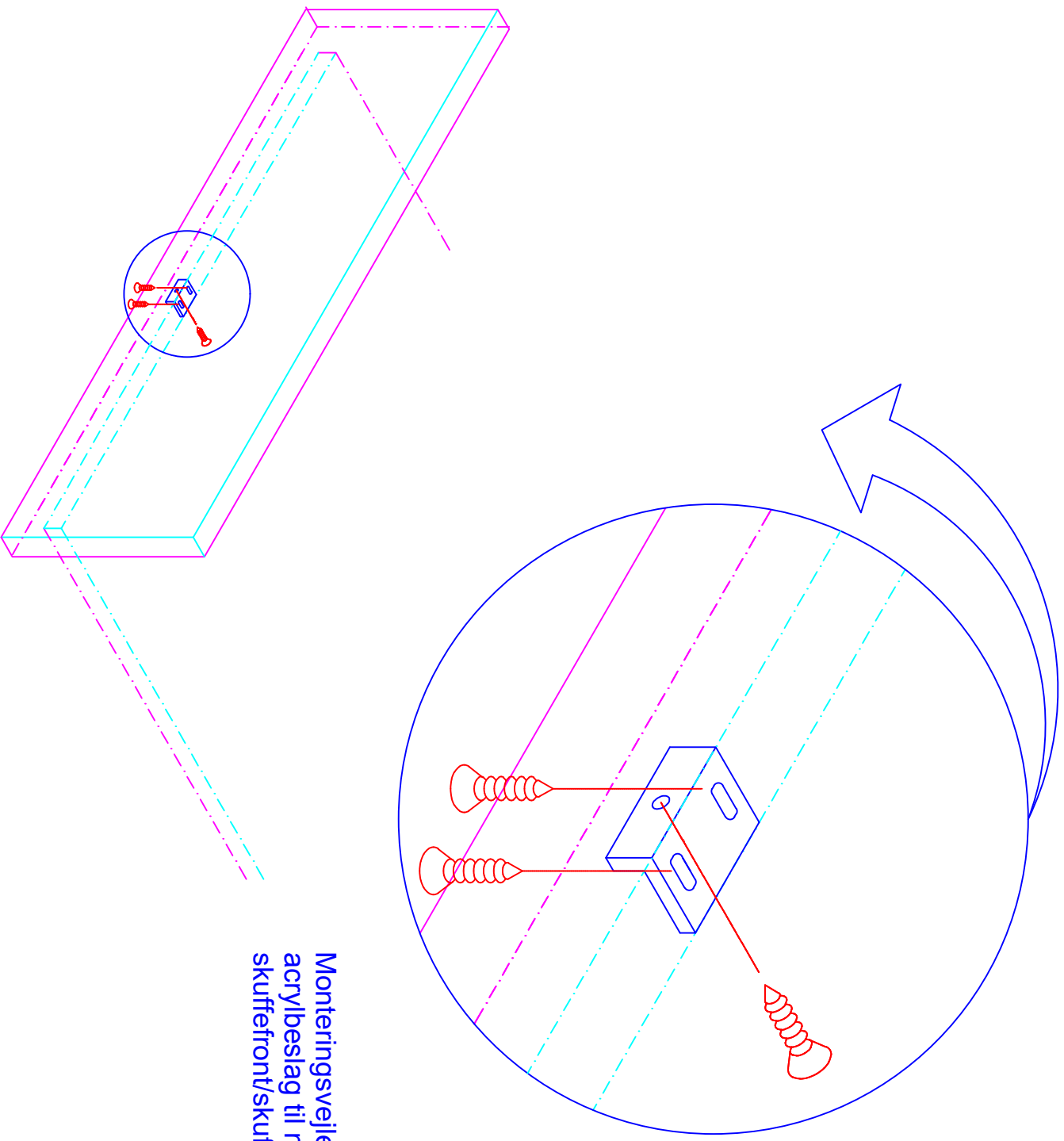


12



All holes drilled  $\varnothing 2$





Monteringsvejledning af  
acrylbeslag til montering på  
skuffefront/skuffebund

SV997

**Kære kunde**

**Ekstra tillæg til samlevejledning 120 cm badskab**

**::Stål Sargen skal vendes som vist på foto**

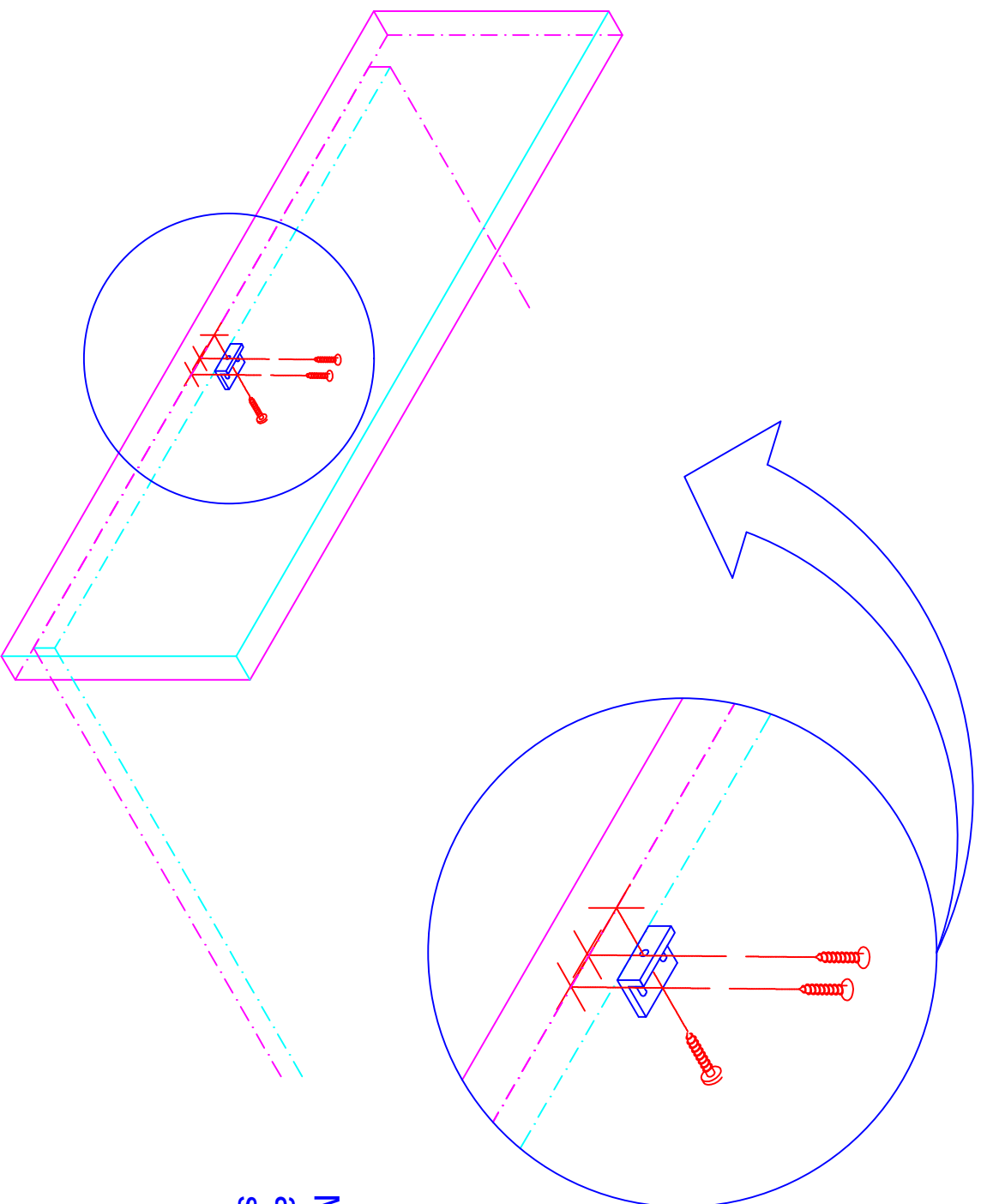


**::1 stk.ophængsliste ekstra samt 2 stk. skruer til fastgørelse af bunden er medsendt. Der er for boret i bunden**



**:: 2 stk. vinkler af plast samt 6 skruer til fastgørelse af front/skuffebund. Der er for boret i Akrylpladen til Stecca. Husk at justerer forskuffen før fastgørelse af bunden**





Monteringsvejledning af  
acrylbeslag til montering på  
skuffefront/skuffebund

SV999